



US00D739302S

(12) **United States Design Patent**  
**Nilsen et al.**

(10) **Patent No.:** **US D739,302 S**

(45) **Date of Patent:** **\*\* \*Sep. 22, 2015**

(54) **BUCKLE LATCH**

(71) Applicant: **ILLINOIS TOOL WORKS INC.**,  
Glenview, IL (US)

(72) Inventors: **Martin J. Nilsen**, Hampshire, IL (US);  
**Christopher A. J. Iannello**, Rolling  
Meadows, IL (US); **Michael B. Grimm**,  
Evanston, IL (US)

(73) Assignee: **Illinois Tool Works Inc.**, Glenview, IL  
(US)

(\*) Notice: This patent is subject to a terminal dis-  
claimer.

(\*\*) Term: **14 Years**

(21) Appl. No.: **29/482,261**

(22) Filed: **Feb. 17, 2014**

(51) **LOC (10) Cl.** ..... **02-07**

(52) **U.S. Cl.**  
USPC ..... **D11/218**

(58) **Field of Classification Search**  
USPC ..... D11/1-2, 200-201, 206-210, 214-218;  
24/163 R, 169-171, 173, 177-179, 191,  
24/194-195, 197, 200, 614-616, 625, 198,  
24/578.11, 578.1, 163 K, 114, 633, 593.1  
CPC ..... A44B 11/25; A44B 11/26; A44B 11/00;  
B60R 22/00

See application file for complete search history.

(56) **References Cited**

U.S. PATENT DOCUMENTS

1,803,214 A *	4/1931	Siegel .....	24/698.3
D264,766 S *	6/1982	Huff .....	D11/216
D269,389 S *	6/1983	Wood .....	D11/212
5,427,562 A *	6/1995	Hwang .....	450/58
D450,561 S *	11/2001	Moore et al. ....	D8/349
D543,896 S *	6/2007	Gunnarsson .....	D11/212
D581,315 S *	11/2008	Paris et al. ....	D11/200
D668,579 S *	10/2012	Petty et al. ....	D11/218
D687,347 S *	8/2013	Gillan .....	D11/218

\* cited by examiner

*Primary Examiner* — Ralf Seifert

(74) *Attorney, Agent, or Firm* — Paul F. Donovan

(57) **CLAIM**

The ornamental design for a buckle latch, as shown and described.

**DESCRIPTION**

FIG. 1 is a perspective view of a buckle latch showing the new design;

FIG. 2 is a top view thereof;

FIG. 3 is a bottom view thereof;

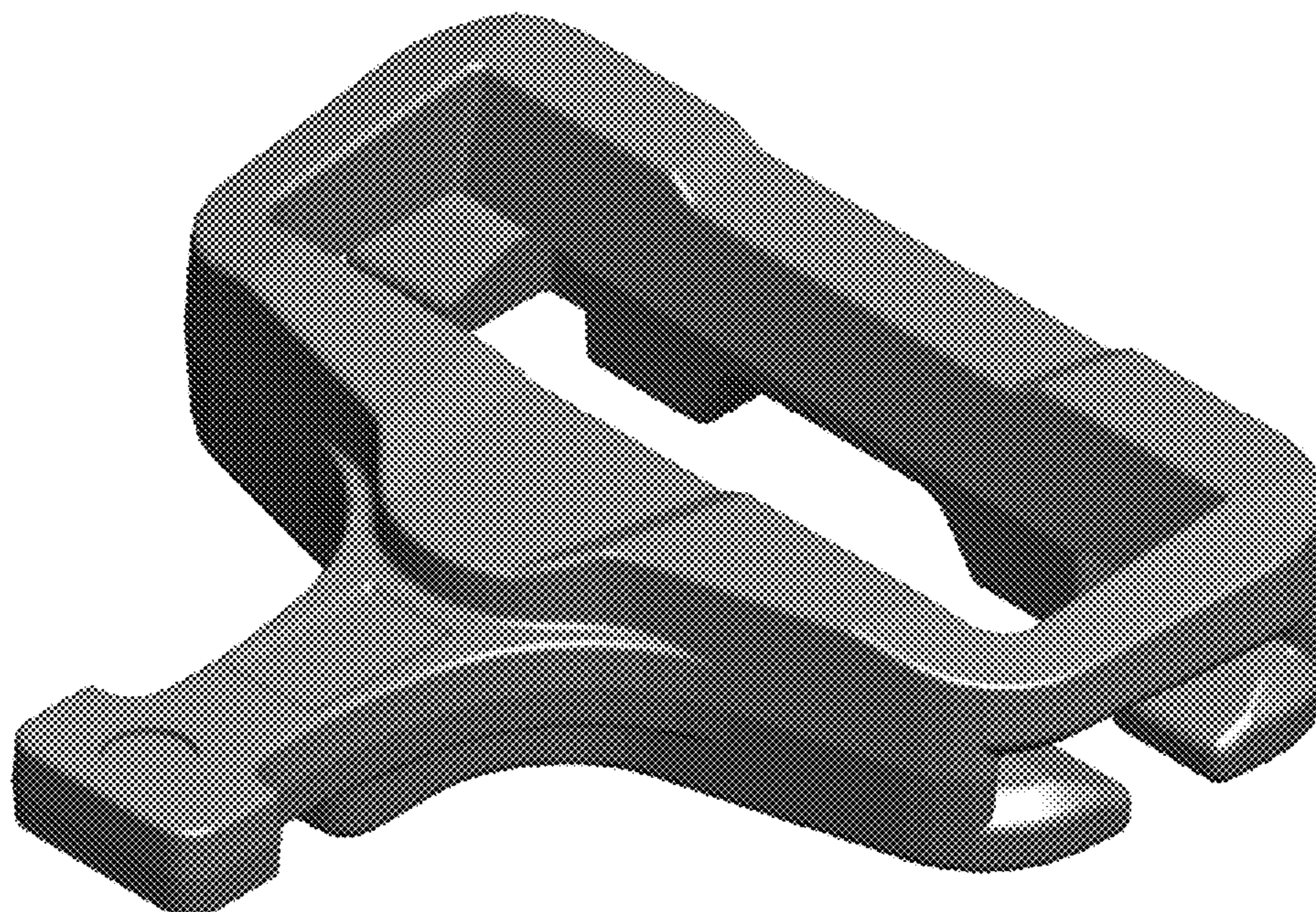
FIG. 4 is a front end view thereof;

FIG. 5 is a left side view thereof;

FIG. 6 is a back end view thereof; and,

FIG. 7 is a right side view thereof.

**1 Claim, 7 Drawing Sheets**





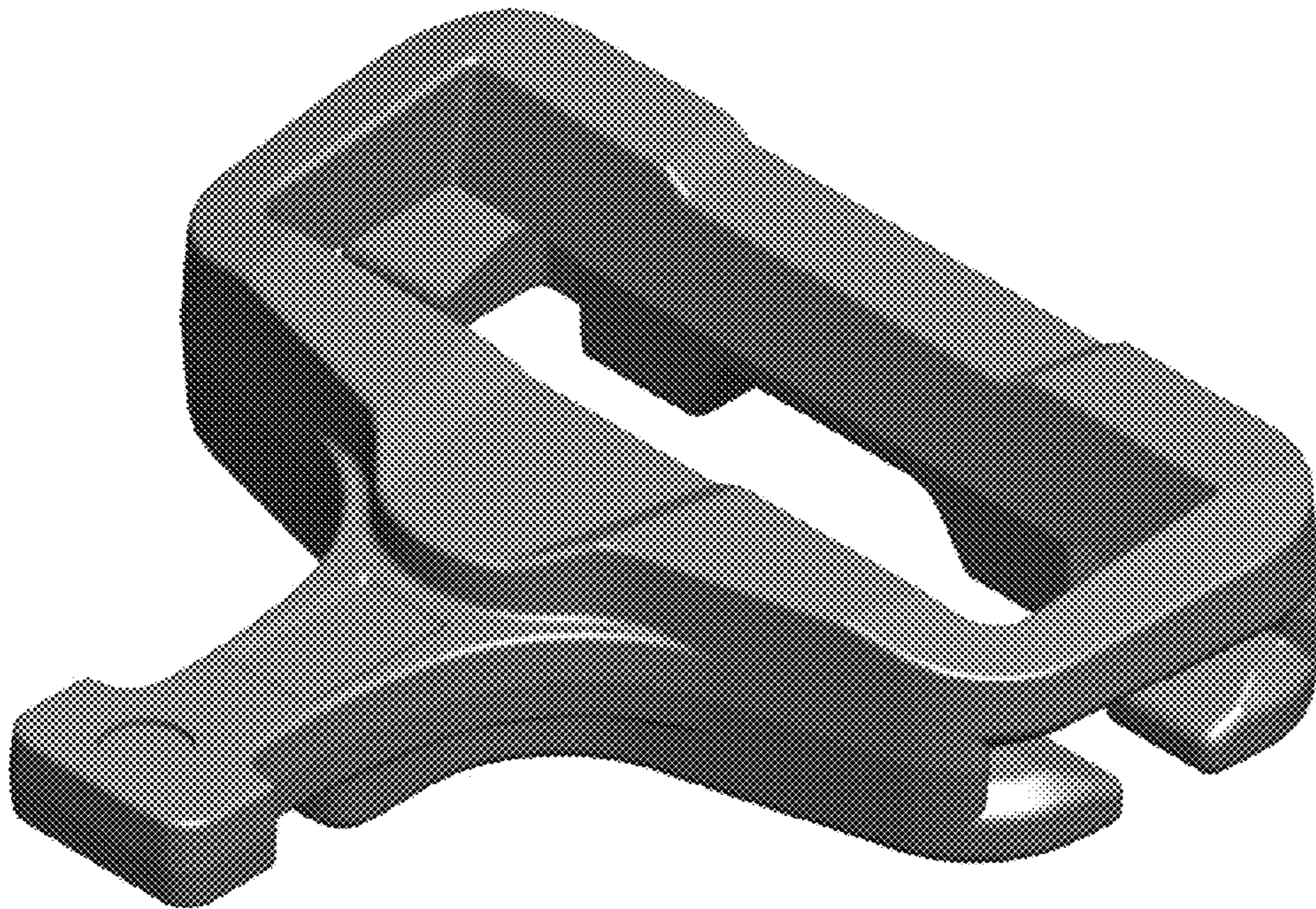


FIG. 1

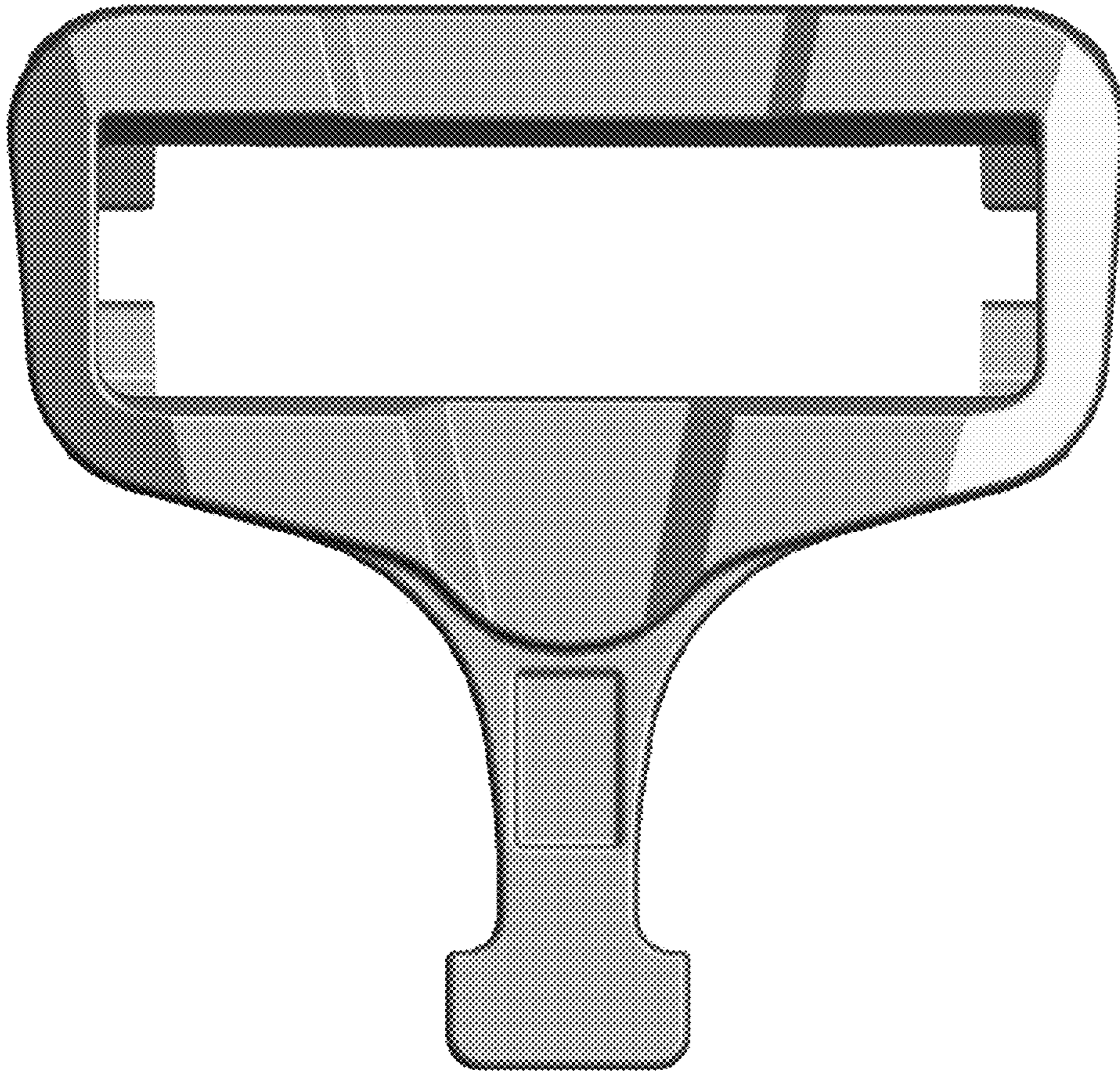


FIG. 2



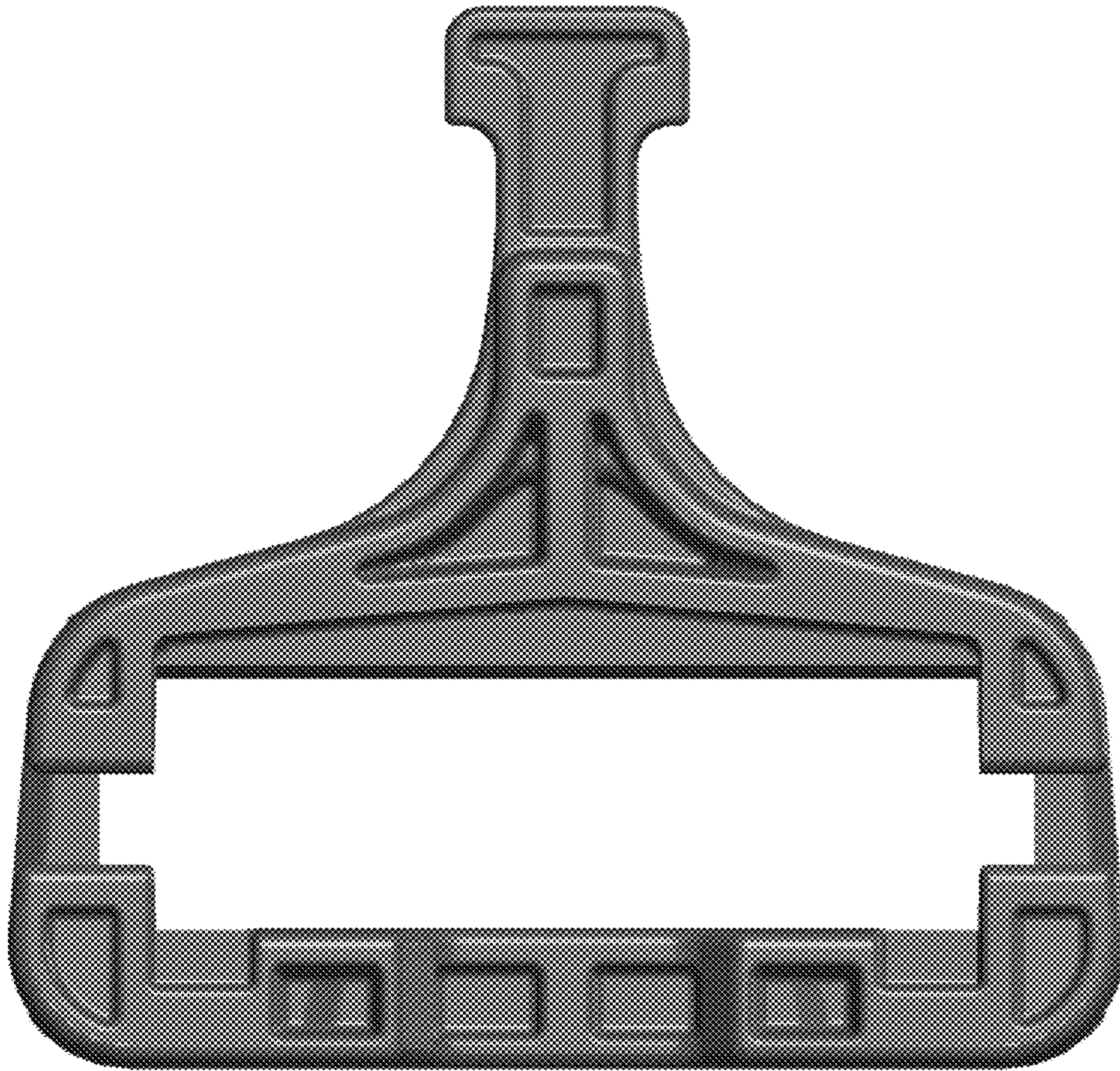


FIG. 3

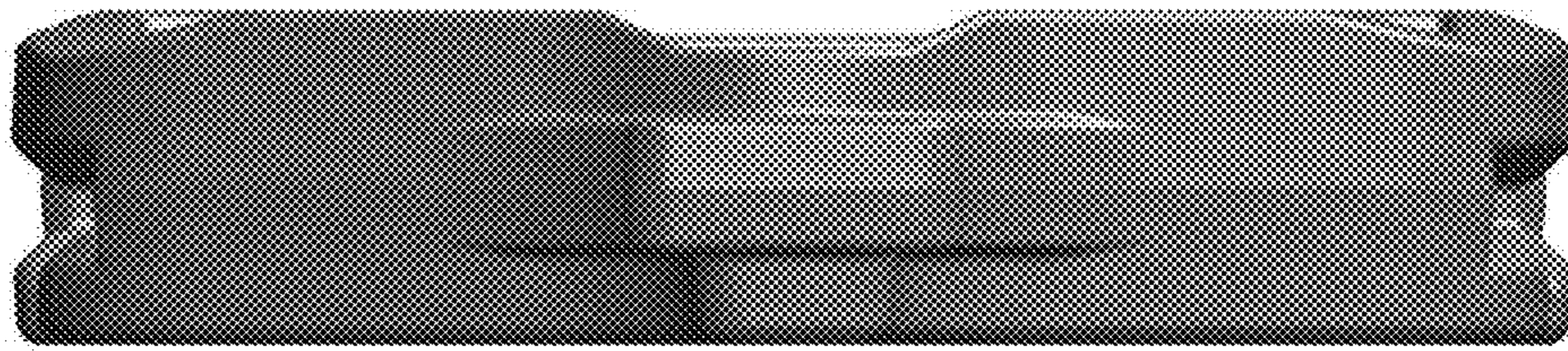


FIG. 4

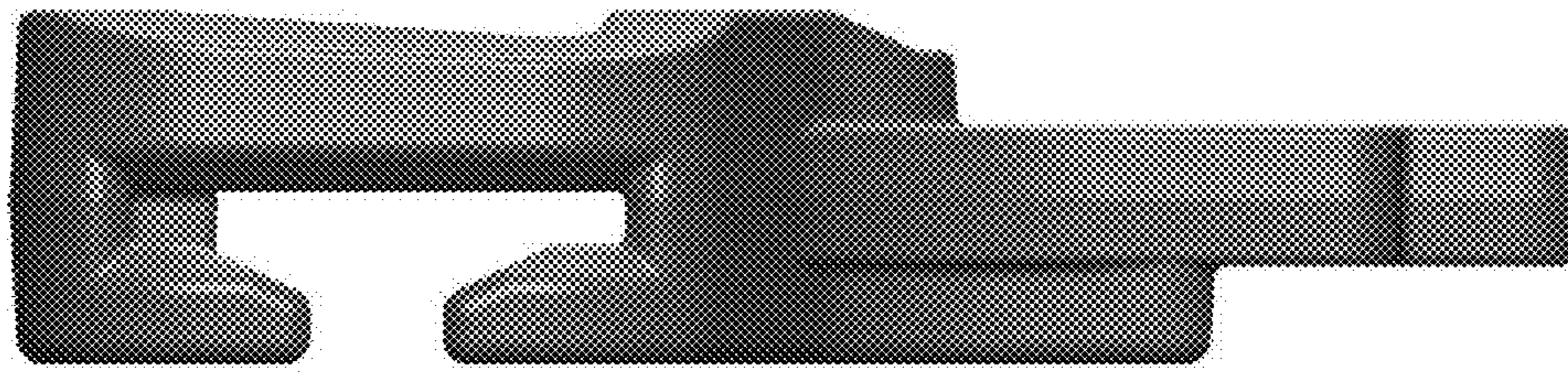


FIG. 5



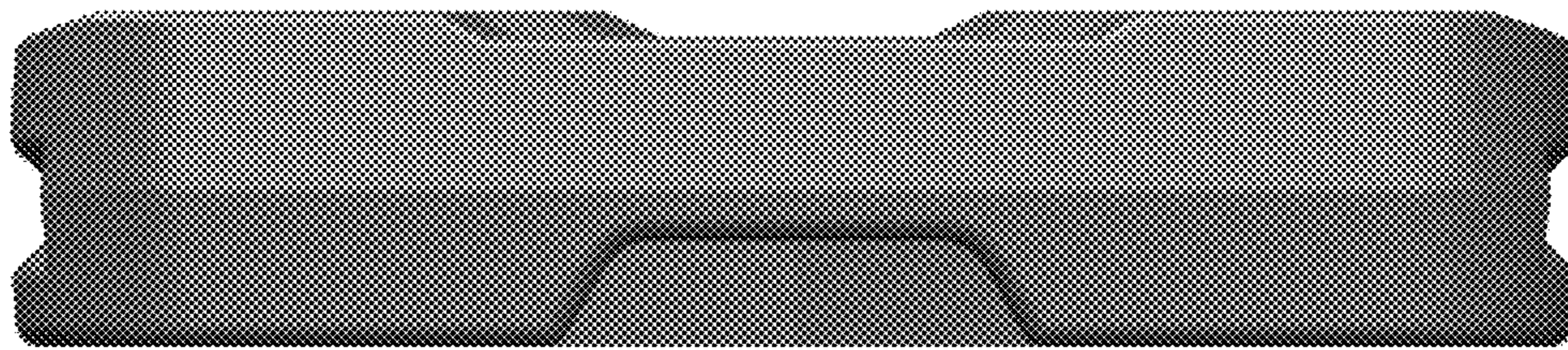


FIG. 6

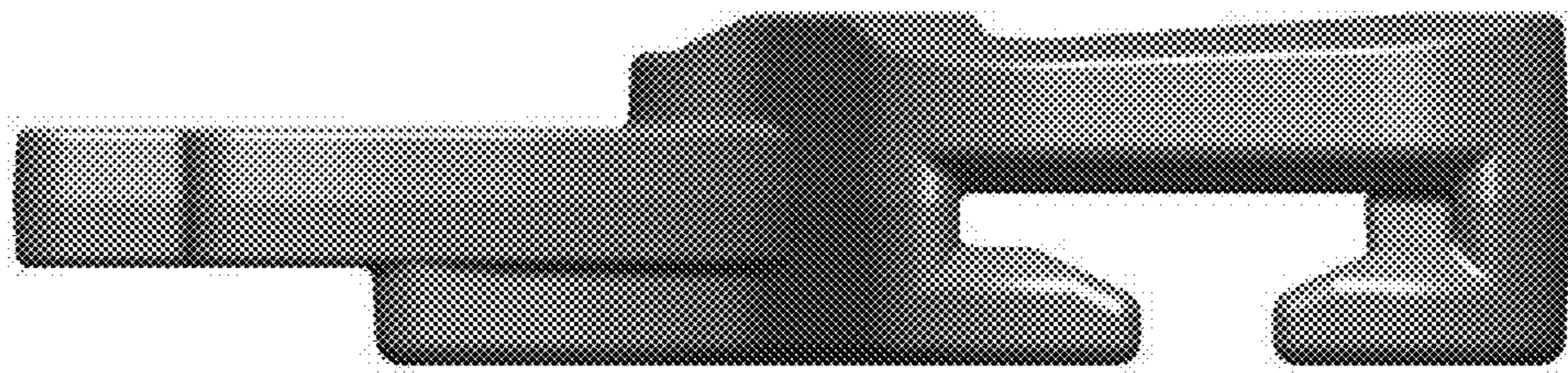


FIG. 7