



US00D739300S

(12) **United States Design Patent**  
**Iannello et al.**

(10) **Patent No.:** **US D739,300 S**

(45) **Date of Patent:** **\*\* \*Sep. 22, 2015**

(54) **CORD CAM BUCKLE**

(56) **References Cited**

(71) Applicant: **ILLINOIS TOOL WORKS INC.**,  
Glenview, IL (US)

U.S. PATENT DOCUMENTS

(72) Inventors: **Christopher A. J. Iannello**, Rolling  
Meadows, IL (US); **Martin J. Nilsen**,  
Hampshire, IL (US); **Michael B.**  
**Grimm**, Evanston, IL (US)

D332,433	S	*	1/1993	Bougher	.....	D11/216
D377,155	S	*	1/1997	Takimoto	.....	D11/216
D393,606	S	*	4/1998	Lin	.....	D11/216
D414,401	S	*	9/1999	Aganian	.....	D8/383
D495,970	S	*	9/2004	Uehara et al.	.....	D11/216
D496,881	S	*	10/2004	Pontaoe	.....	D11/216
6,868,587	B2	*	3/2005	Rard	.....	24/170
D519,407	S	*	4/2006	Yoshiguchi	.....	D11/216
D585,331	S	*	1/2009	Kumazaki et al.	.....	D11/216
D651,122	S	*	12/2011	Vincent et al.	.....	D11/216
D683,653	S	*	6/2013	Moreau et al.	.....	D11/215

(73) Assignee: **Illinois Tool Works Inc.**, Glenview, IL  
(US)

(\*) Notice: This patent is subject to a terminal dis-  
claimer.

\* cited by examiner

(\*\*) Term: **14 Years**

*Primary Examiner* — Ralf Seifert

(74) *Attorney, Agent, or Firm* — Paul F. Donovan

(21) Appl. No.: **29/482,037**

(57) **CLAIM**

The ornamental design for a cord cam buckle, as shown and  
described.

(22) Filed: **Feb. 13, 2014**

**DESCRIPTION**

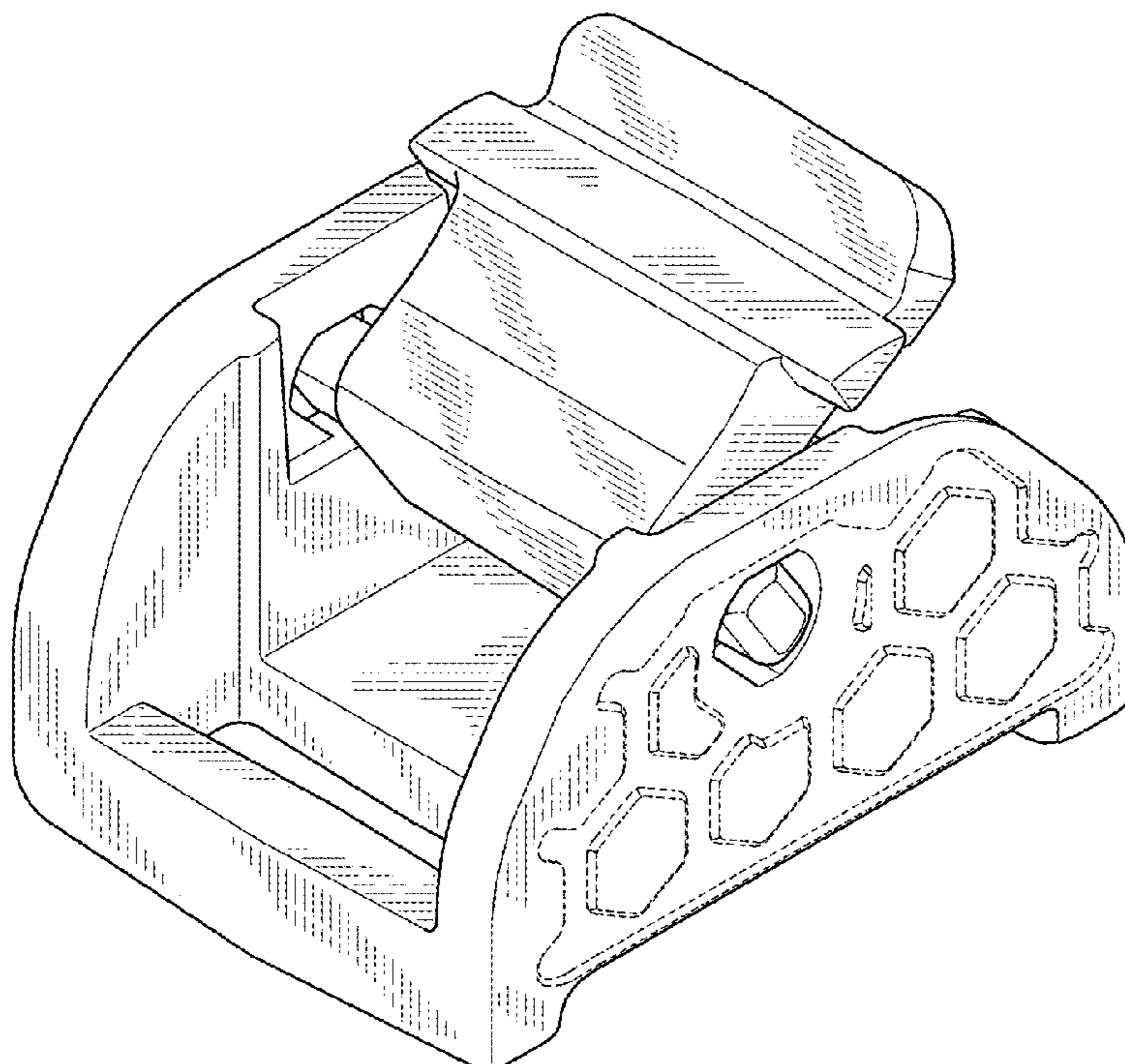
(51) **LOC (10) Cl.** ..... **02-07**

(52) **U.S. Cl.**  
USPC ..... **D11/216**

(58) **Field of Classification Search**  
USPC ..... D11/1-2, 200-201, 206-210, 214-218;  
24/163 R, 169-171, 173, 177-179, 191,  
24/194-195, 197, 200, 614-616, 625, 198,  
24/578.11, 578.1, 163 K, 114, 307  
CPC ..... A44B 11/26; A44B 11/25; A44B 11/06  
See application file for complete search history.

FIG. 1 is a perspective view of a cord cam buckle showing the  
new design;  
FIG. 2 is a left side view thereof;  
FIG. 3 is a right side view thereof;  
FIG. 4 is a front end view thereof;  
FIG. 5 is a back end view thereof;  
FIG. 6 is a top view thereof; and,  
FIG. 7 is a bottom view thereof.

**1 Claim, 4 Drawing Sheets**



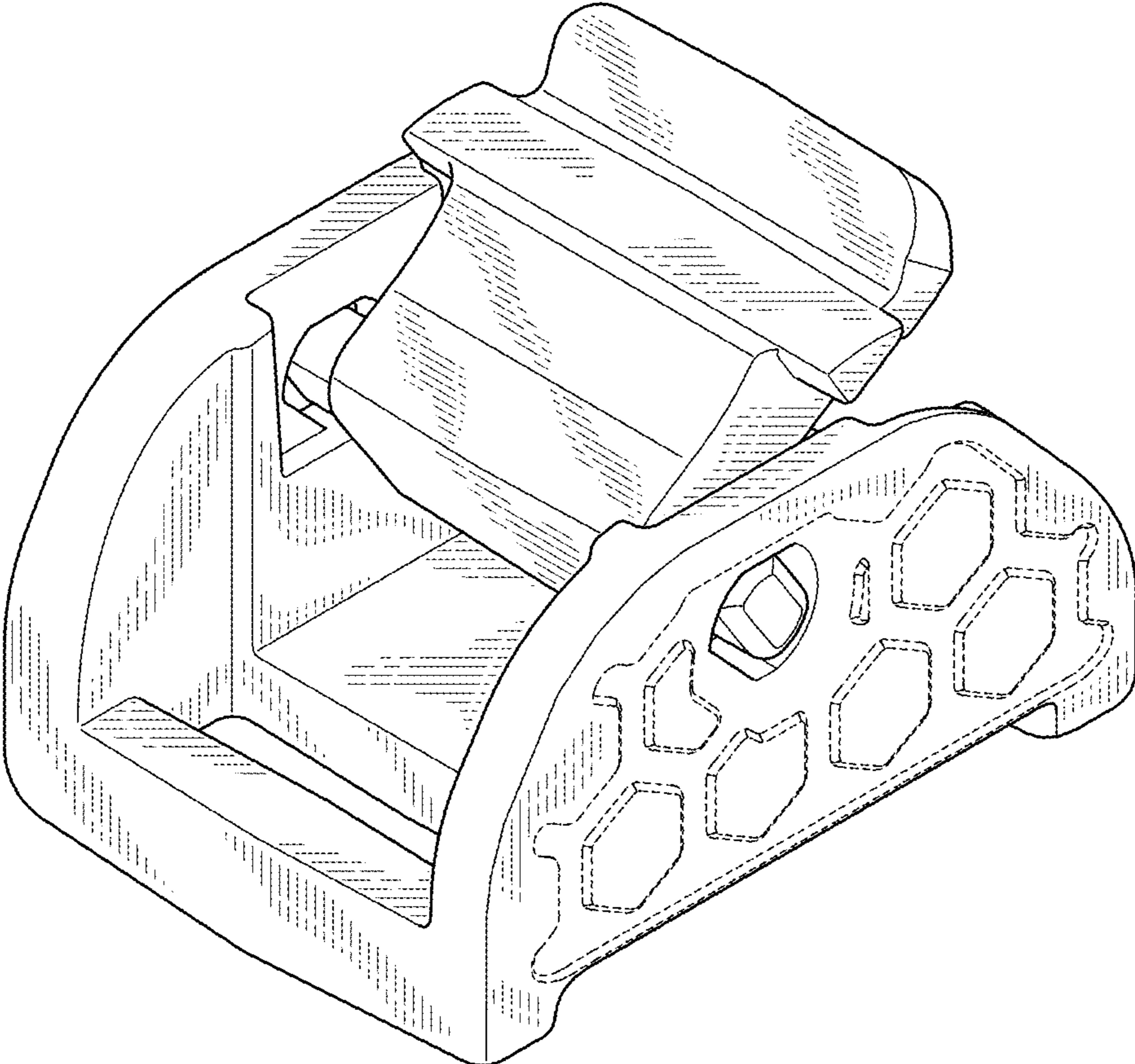


FIG. 1

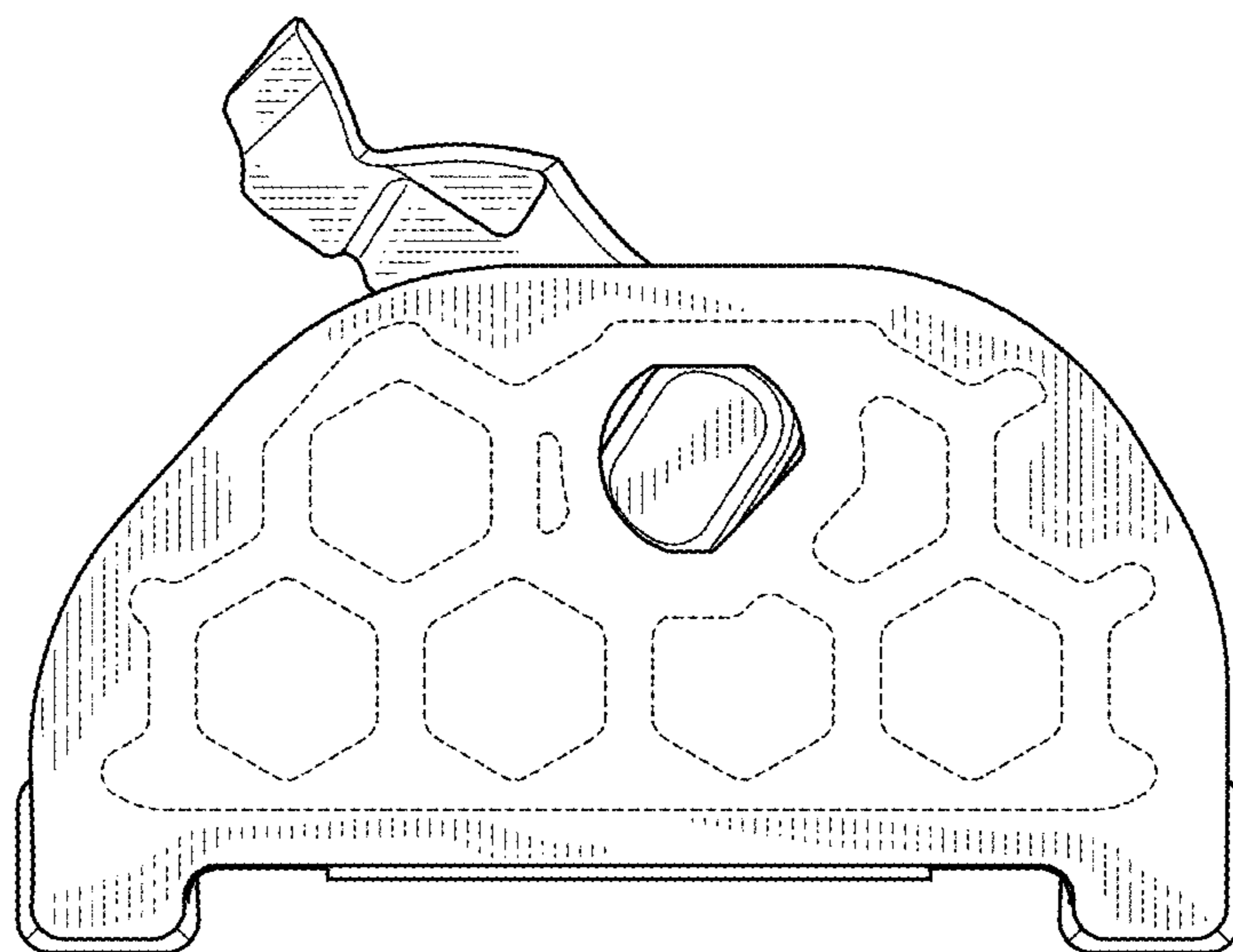


FIG. 2

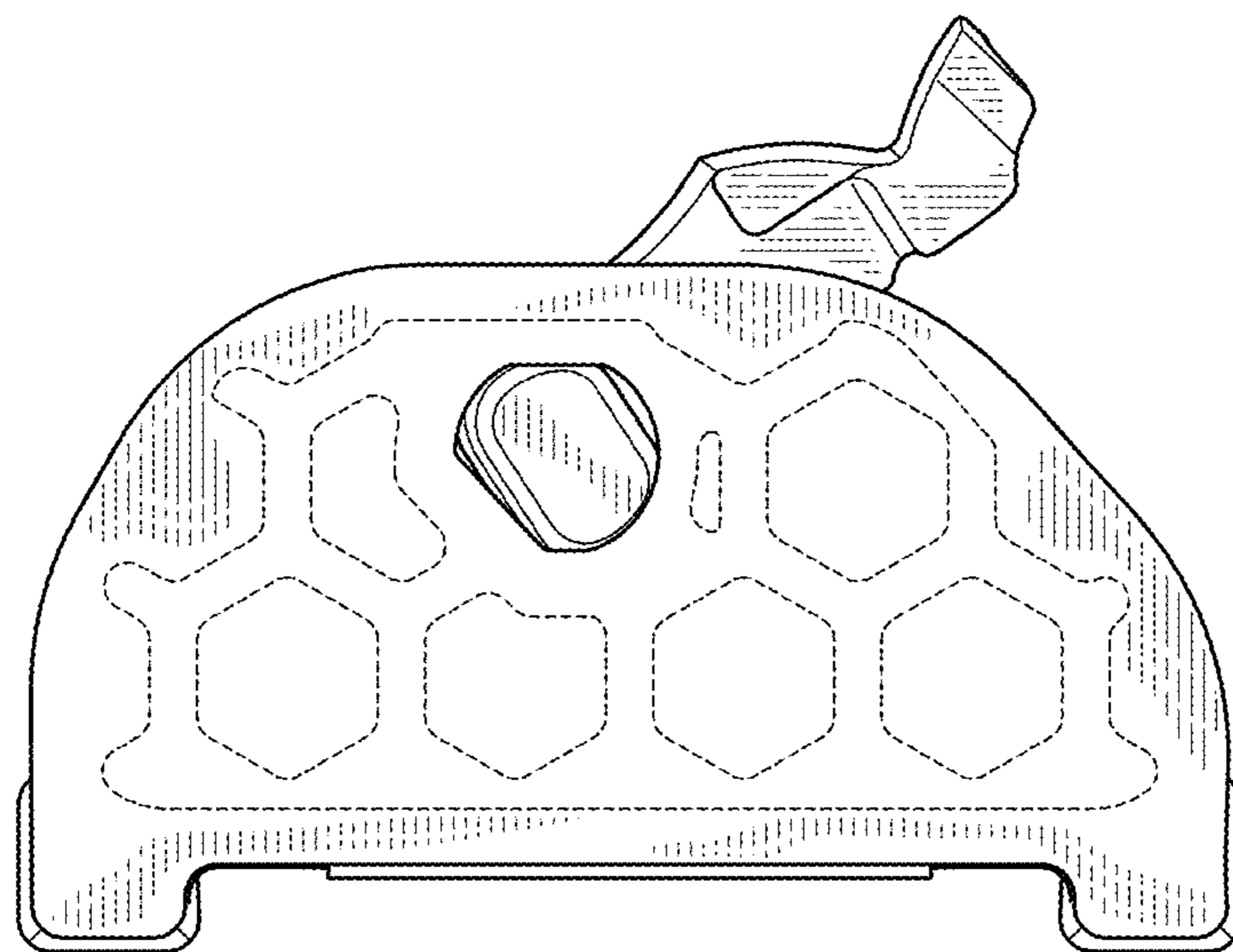


FIG. 3

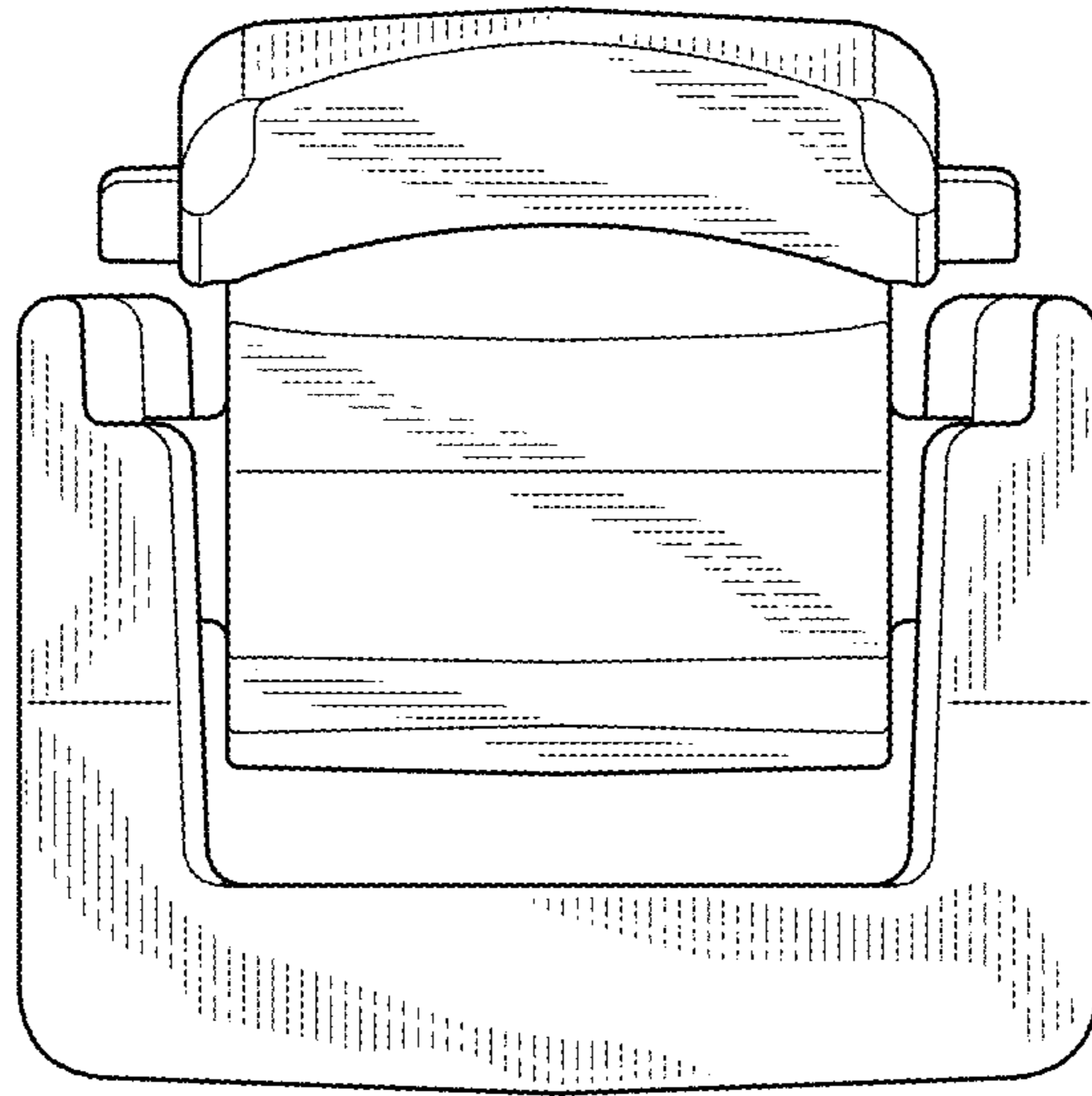


FIG. 4

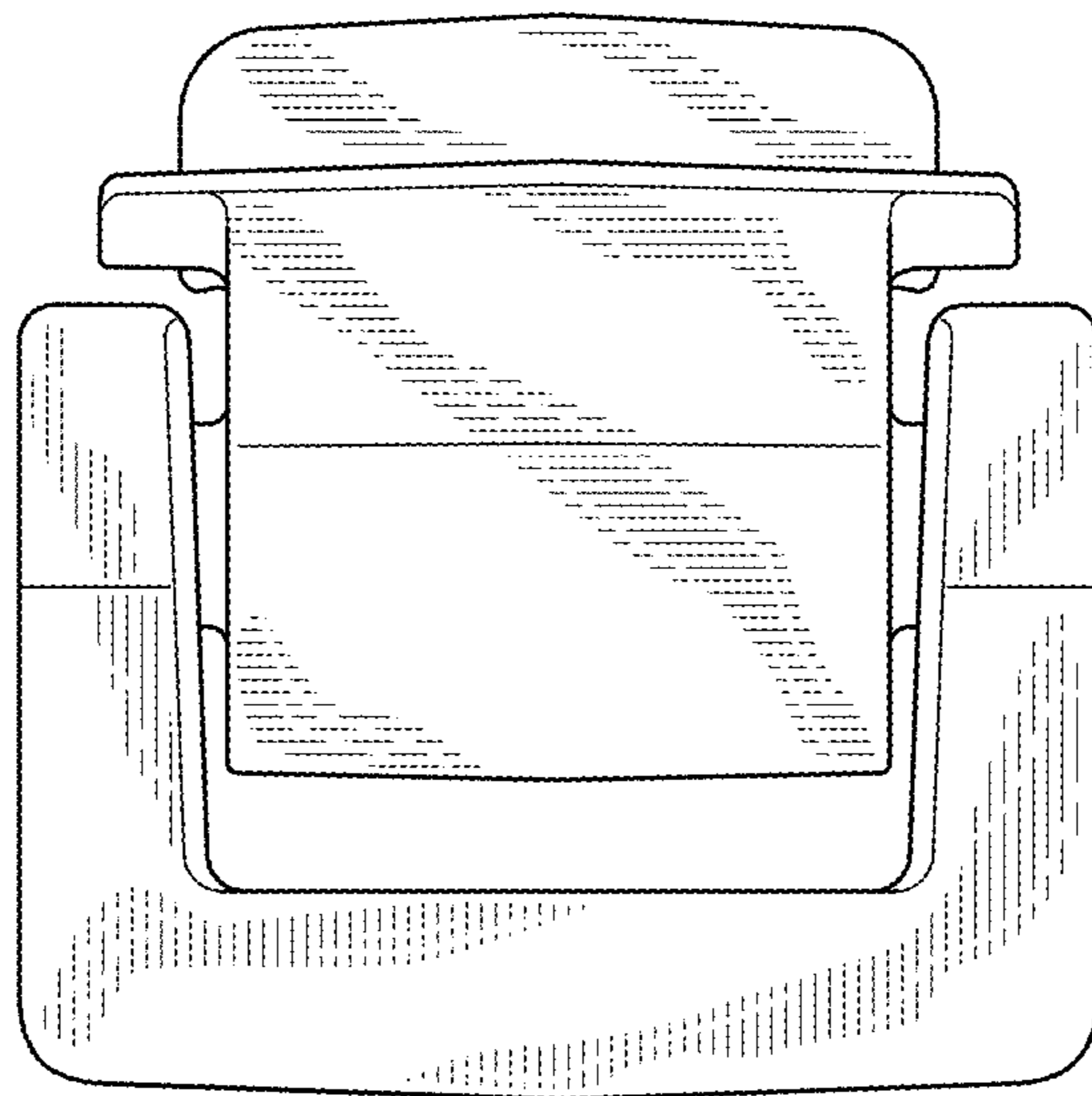


FIG. 5

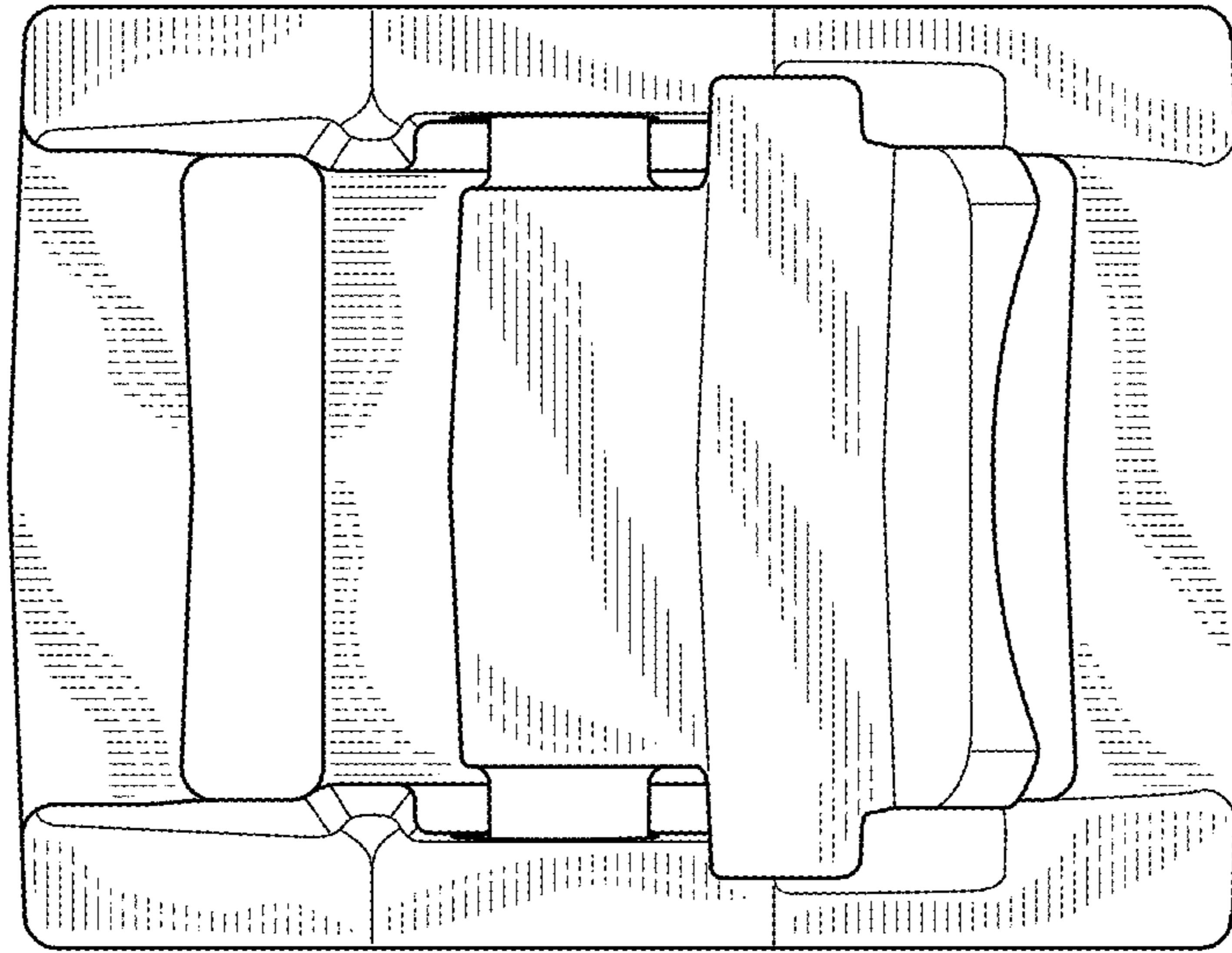


FIG. 6

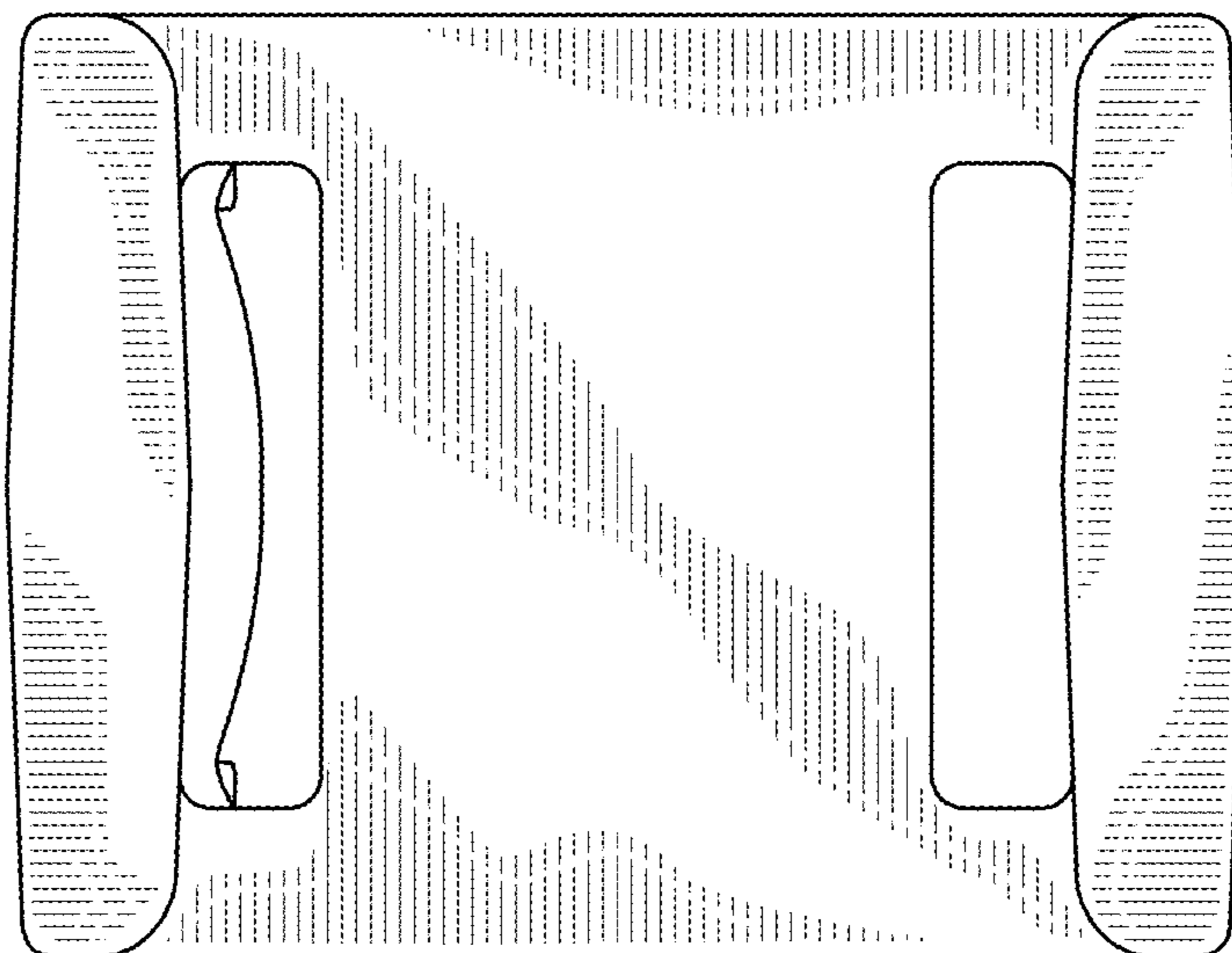


FIG. 7