

US00D739298S

(12) **United States Design Patent**  
**Montvila**

(10) **Patent No.:** **US D739,298 S**

(45) **Date of Patent:** **\*\* Sep. 22, 2015**

(54) **DECORATIVE MAGNET**

D602,078 S \* 10/2009 Novack et al. .... D19/12  
D659,497 S \* 5/2012 Blazevic ..... D8/34  
D669,722 S \* 10/2012 Sass ..... D6/592

(71) Applicant: **Regimantas Montvila**, Puerto de Sagunto (ES)

FOREIGN PATENT DOCUMENTS

(72) Inventor: **Regimantas Montvila**, Puerto de Sagunto (ES)

EM 002257816-0001 7/2013  
ES D0508779 2/2010  
ES D0508592 3/2010  
ES D0508947 3/2010  
ES D0514400 3/2012  
ES D0516739 4/2013  
RU 70959 6/2009

(\*\*) Term: **14 Years**

(21) Appl. No.: **29/469,527**

OTHER PUBLICATIONS

(22) Filed: **Oct. 11, 2013**

(51) **LOC (10) Cl.** ..... **11-02**

(52) **U.S. Cl.**  
USPC ..... **D11/157**

Magnet shaped like a stamp of the Proclamation of Philip VI, Souvenirs from Spain, Souvenirs, zings.es, Searched Feb. 11, 2015, <http://www.zings.es/en/spanish-souvenirs/1794-magnet-shaped-like-a-stamp-of-the-proclamation-of-philip-vi.html>.\*

(58) **Field of Classification Search**  
USPC ..... D11/99, 108, 109, 116, 132, 133, 157, D11/167, 168, 181; D6/303; D13/183; D19/75, 86; D20/10, 11, 22, 23, 27, D20/29; 446/129, 132; 248/309.4, 206.5; 428/542.2, 542.4, 913.3

\* cited by examiner

See application file for complete search history.

*Primary Examiner* — John Windmuller  
*Assistant Examiner* — Steven Czyz

(56) **References Cited**

(57) **CLAIM**  
I claim the ornamental design for a decorative magnet, as shown and described.

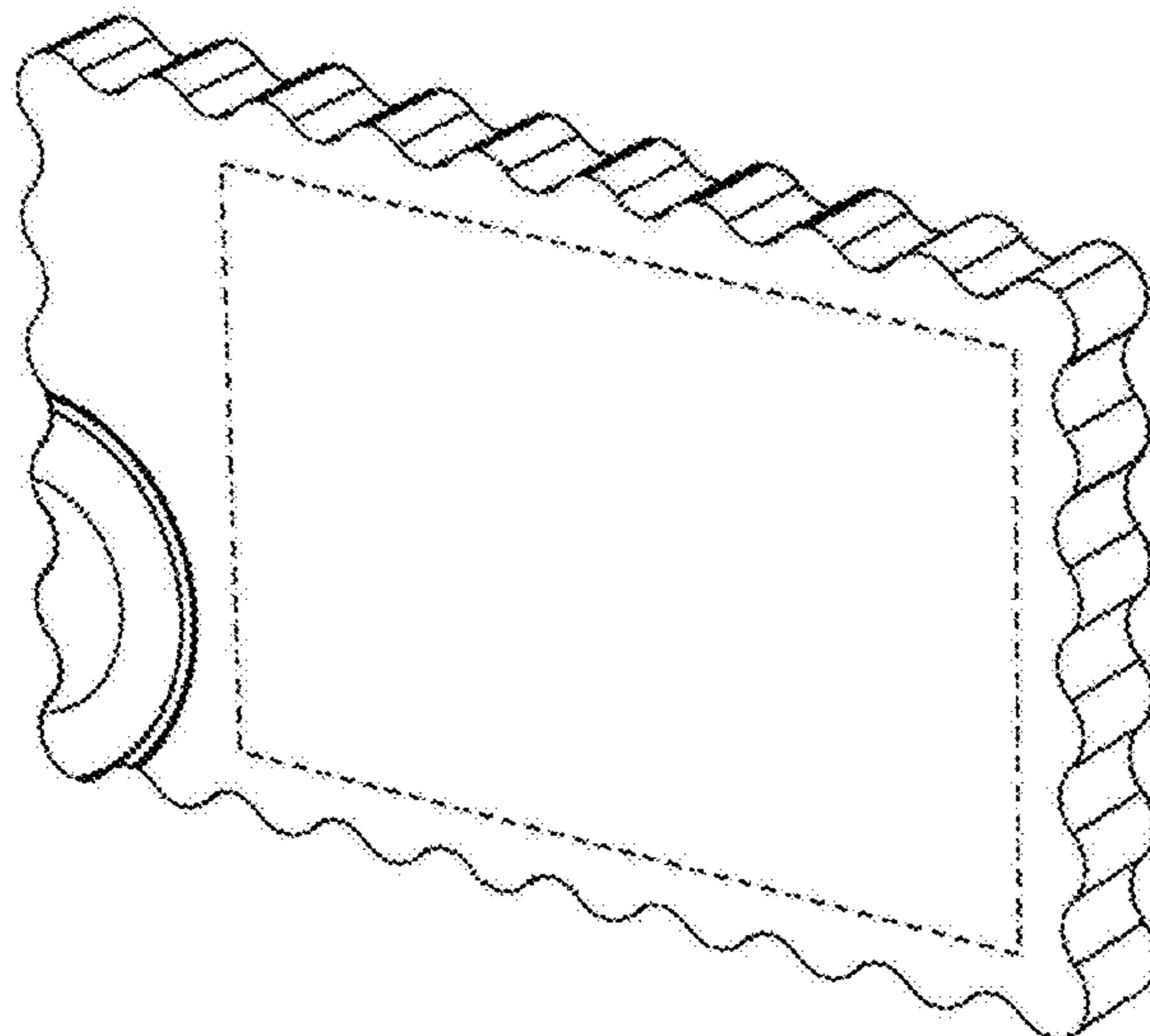
U.S. PATENT DOCUMENTS

**DESCRIPTION**

D134,503 S \* 12/1942 Carr ..... D6/300  
4,981,211 A \* 1/1991 Janek ..... 206/387.1  
D373,115 S \* 8/1996 Logan ..... D13/183  
D386,065 S \* 11/1997 Lewis ..... D8/354  
D446,083 S \* 8/2001 Marsh et al. .... D7/610  
6,302,363 B1 \* 10/2001 Olson et al. .... 248/206.5  
D468,708 S \* 1/2003 Gray ..... D13/183  
6,736,067 B2 \* 5/2004 Patton ..... 101/483  
D557,630 S \* 12/2007 Williams ..... D11/133  
D577,311 S \* 9/2008 Williams ..... D11/133  
D588,813 S \* 3/2009 McFall ..... D3/303

FIG. 1 is a perspective view of a decorative magnet; and, FIG. 2 is a front elevational view of the decorative magnet. The rear of the decorative magnet is flat and unornamented and forms no part of the claimed design. The broken line showing is included for the purpose of illustrating portions of the article and forms no part of the claimed design.

**1 Claim, 1 Drawing Sheet**



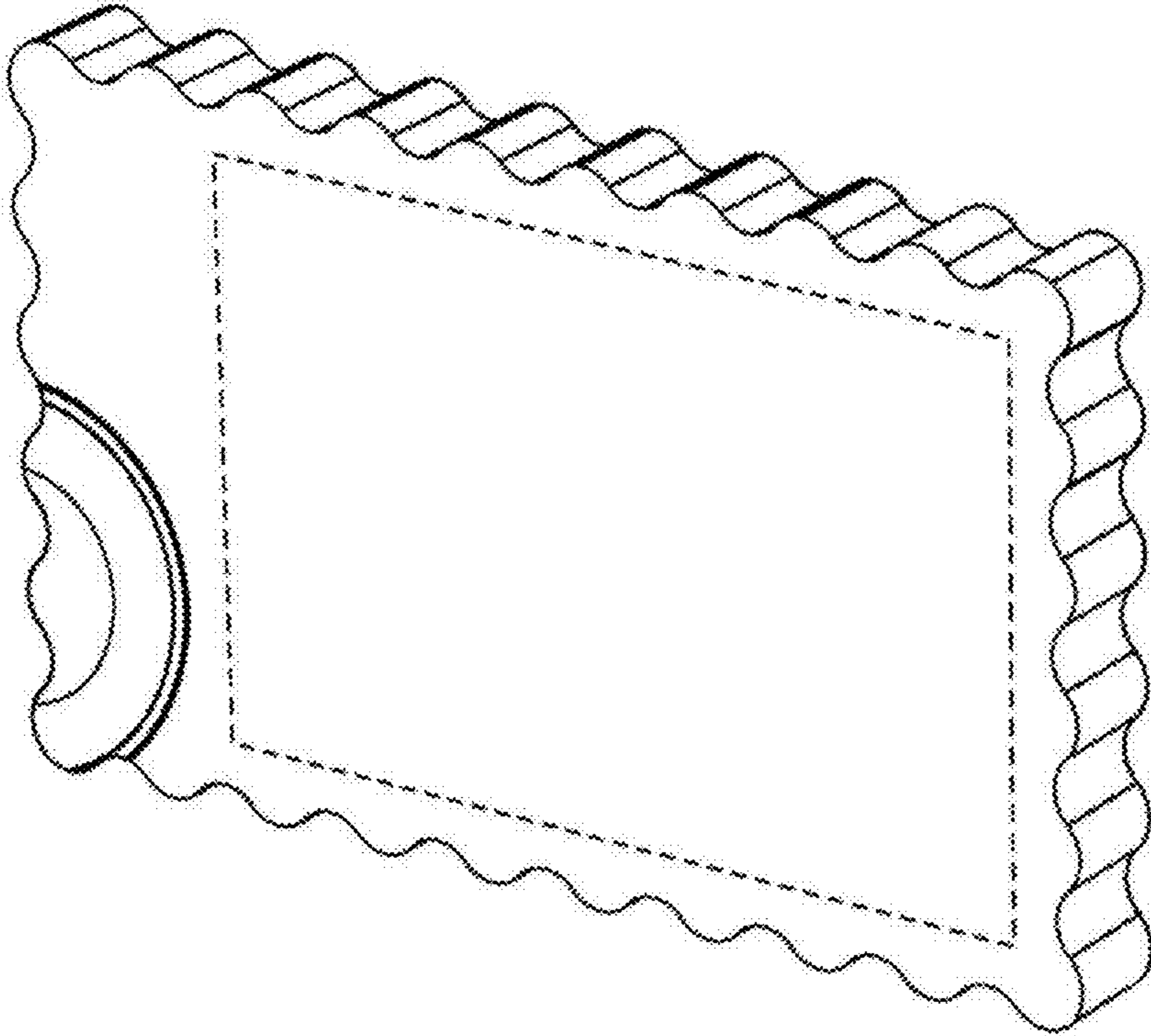


Fig. 1

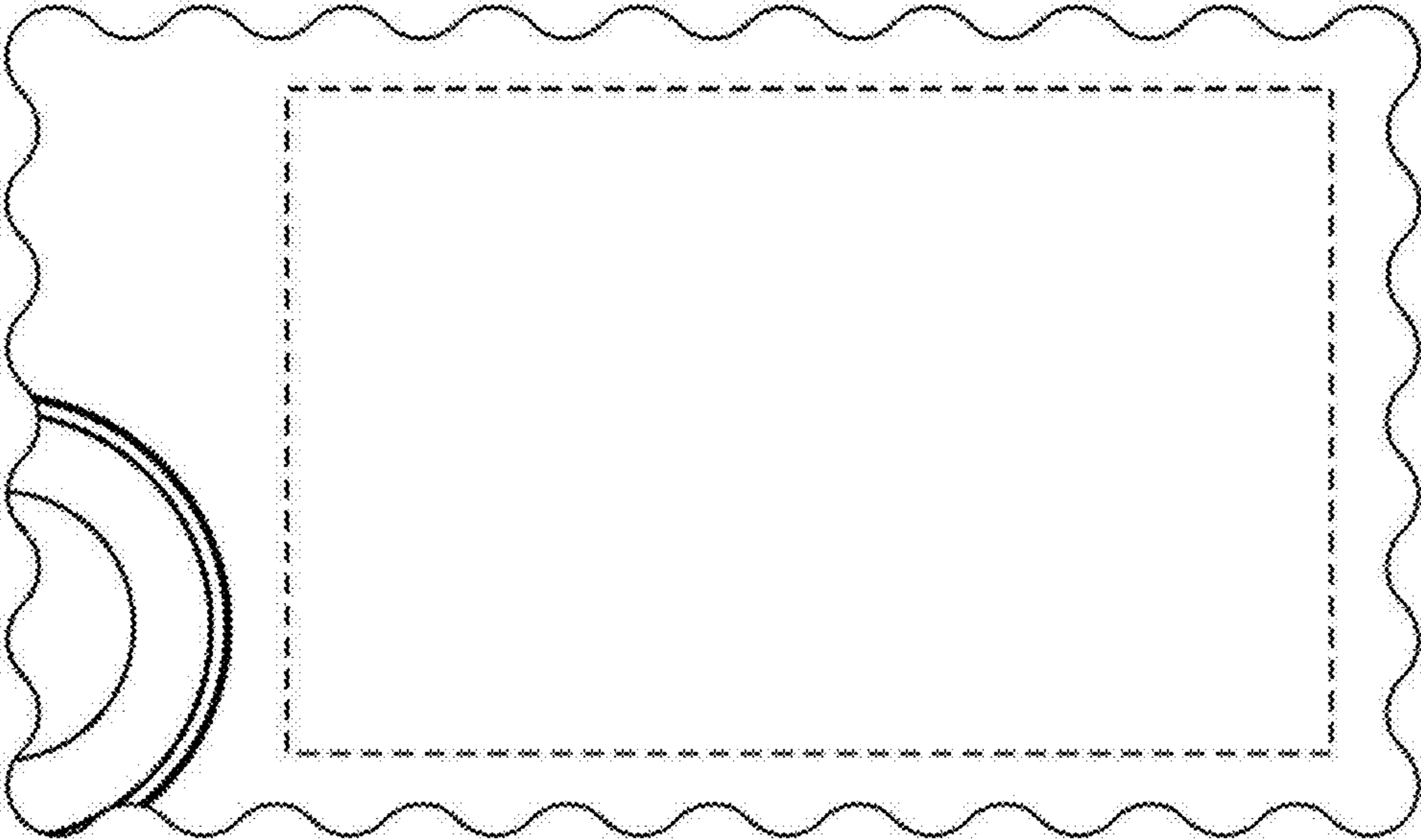


Fig. 2