



US00D739297S

(12) **United States Design Patent**  
**Helzer**

(10) **Patent No.:** **US D739,297 S**

(45) **Date of Patent:** **\*\* \*Sep. 22, 2015**

(54) **PLANTER**

(71) Applicant: **Anthony Wayne Helzer**, Fort Collins,  
CO (US)

(72) Inventor: **Anthony Wayne Helzer**, Fort Collins,  
CO (US)

(\*) Notice: This patent is subject to a terminal dis-  
claimer.

(\*\*) Term: **14 Years**

(21) Appl. No.: **29/461,638**

(22) Filed: **Jul. 25, 2013**

(51) **LOC (10) Cl.** ..... **11-02**

(52) **U.S. Cl.**  
USPC ..... **D11/155**

(58) **Field of Classification Search**  
USPC ..... D6/403-405, 556-559, 570;  
D11/143-156, 164; D19/77, 80, 81,  
D19/84; D25/15, 100, 105, 113; D26/9, 10,  
D26/11, 16, 19; D34/1, 2, 4-6; 47/17, 32.4,  
47/32.5, 32.7, 33, 39, 41.01, 41.1,  
47/41.11-41.15, 44-47, 63, 65.5, 65.9,  
47/66.1, 66.2, 66.6, 66.7, 67-71

See application file for complete search history.

(56) **References Cited**

U.S. PATENT DOCUMENTS

D176,575 S	1/1956	Klingsberg	
D356,979 S *	4/1995	Rahr	D11/155
6,134,828 A	10/2000	DiFillipo	
D689,254 S *	9/2013	Reno	D34/6

\* cited by examiner

*Primary Examiner* — Robert M Spear

*Assistant Examiner* — Marissa J Cash

(74) *Attorney, Agent, or Firm* — Santangelo Law Offices,  
P.C.

(57) **CLAIM**

The ornamental design for a planter, as shown and described.

**DESCRIPTION**

FIG. 1 is a perspective view of a planter.

FIG. 2 is a front view of a planter.

FIG. 3 is a back view of a planter.

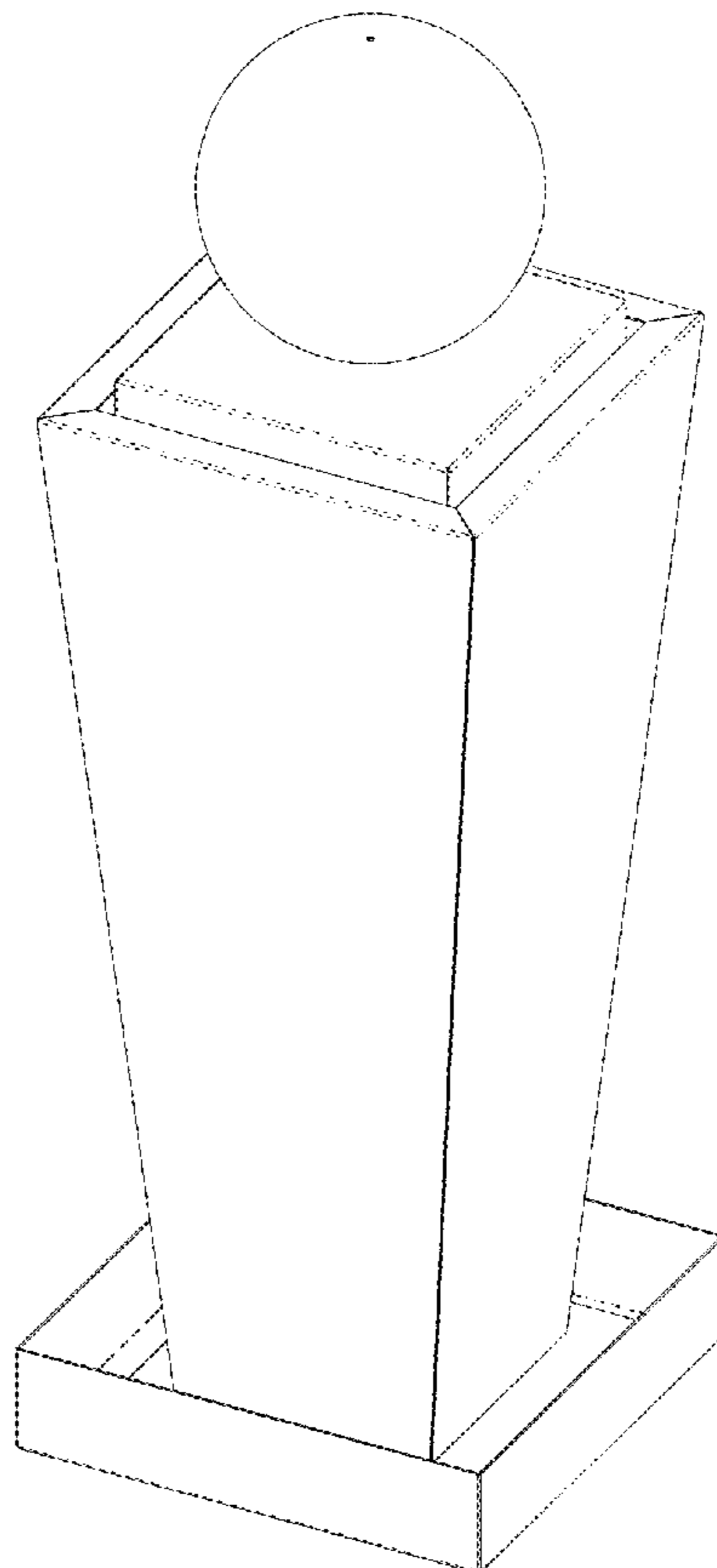
FIG. 4 is a right view of a planter.

FIG. 5 is a left view of a planter.

FIG. 6 is a top view of a planter; and,

FIG. 7 is a bottom view of a planter.

**1 Claim, 7 Drawing Sheets**



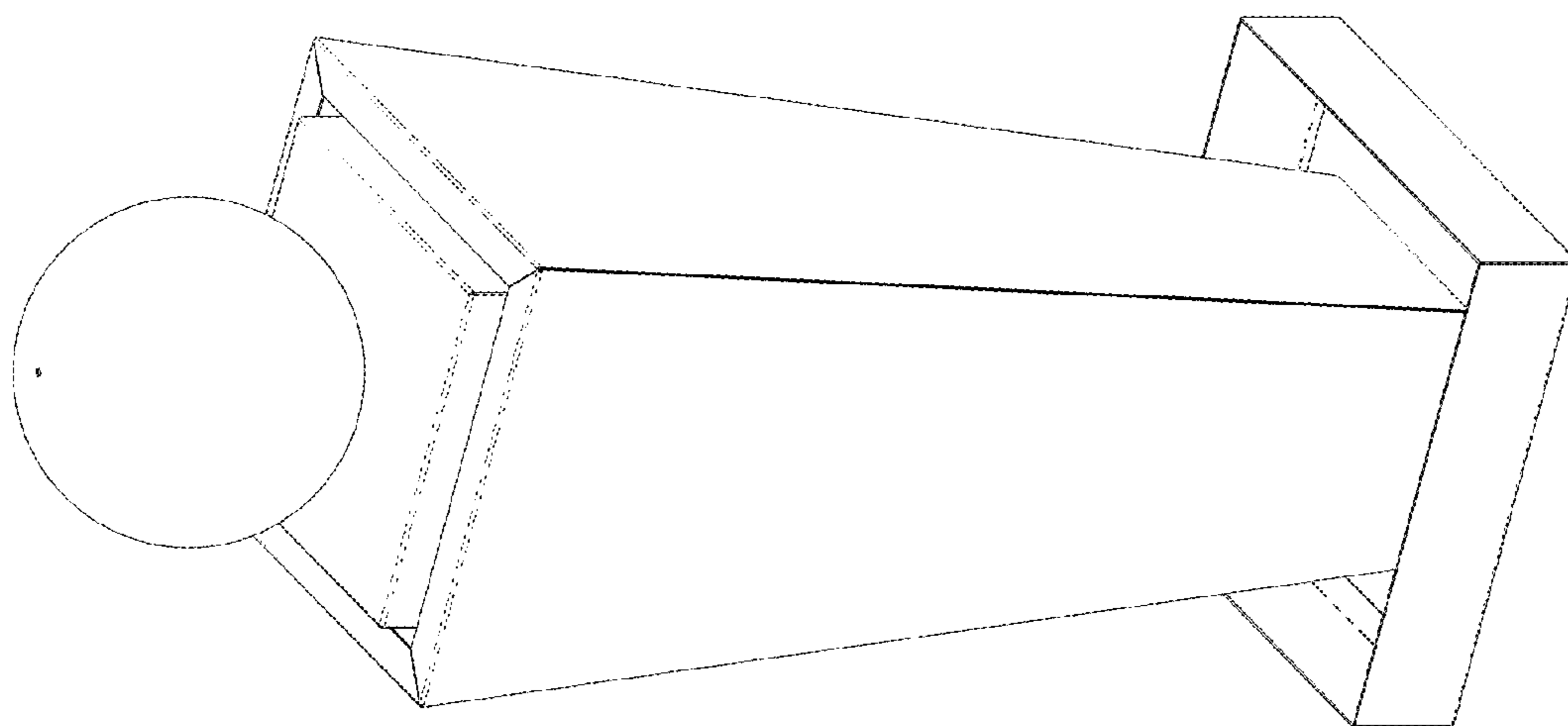


Fig. 1

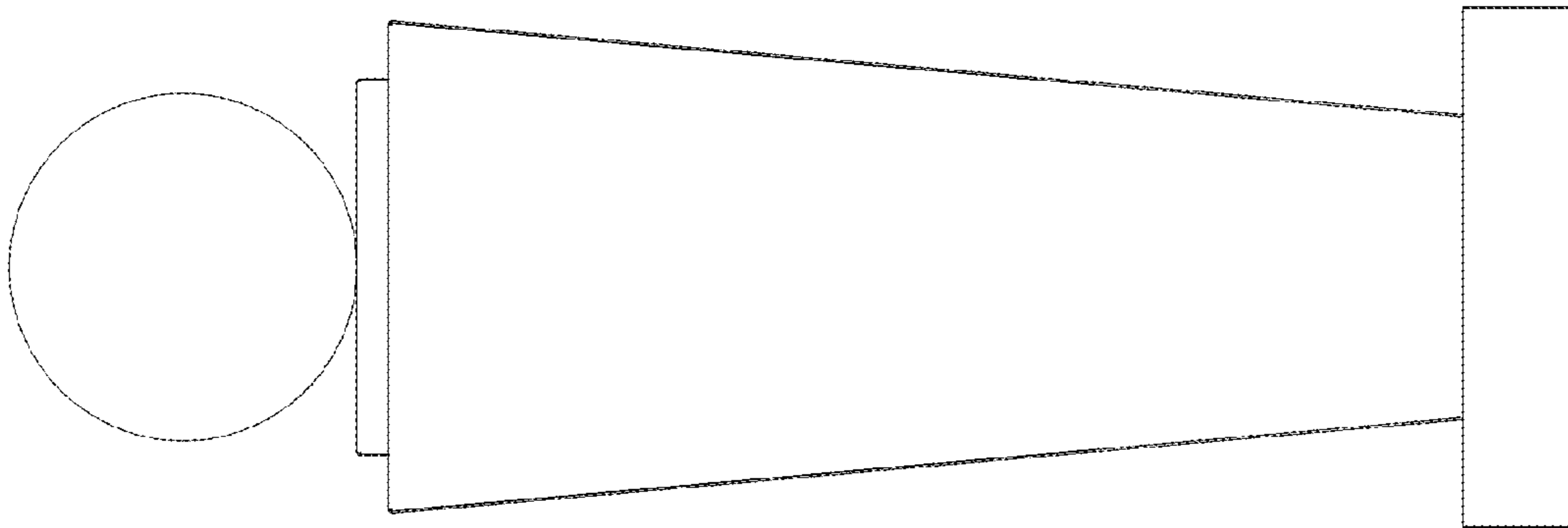


Fig. 2

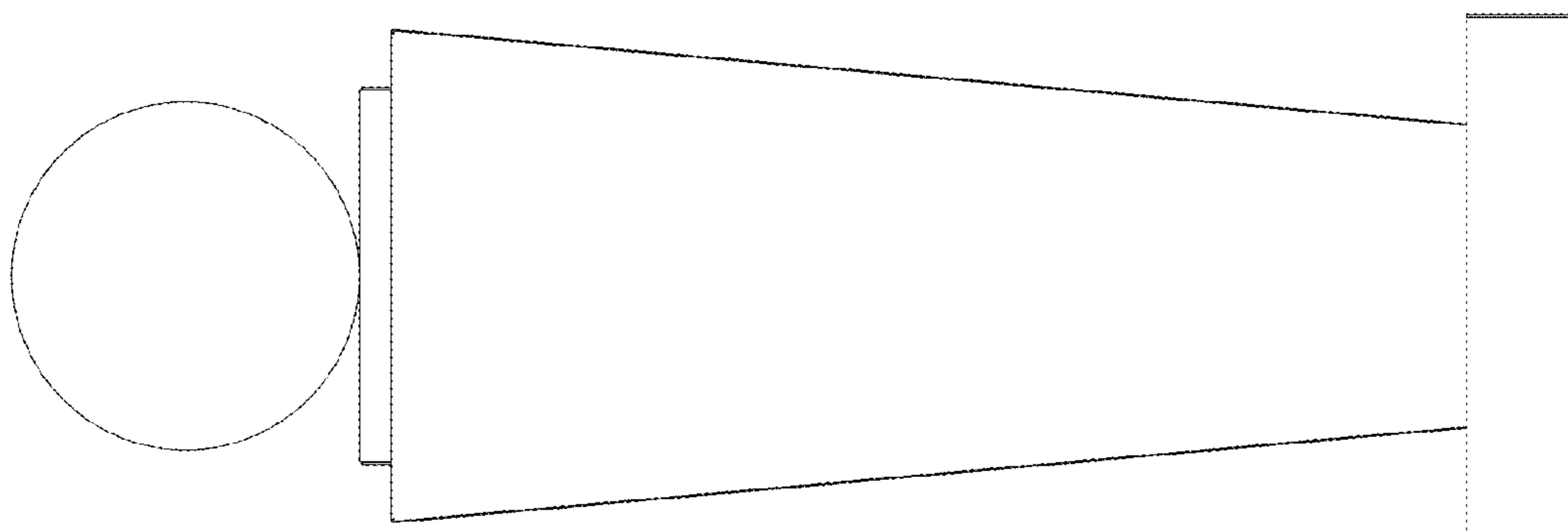


Fig. 3

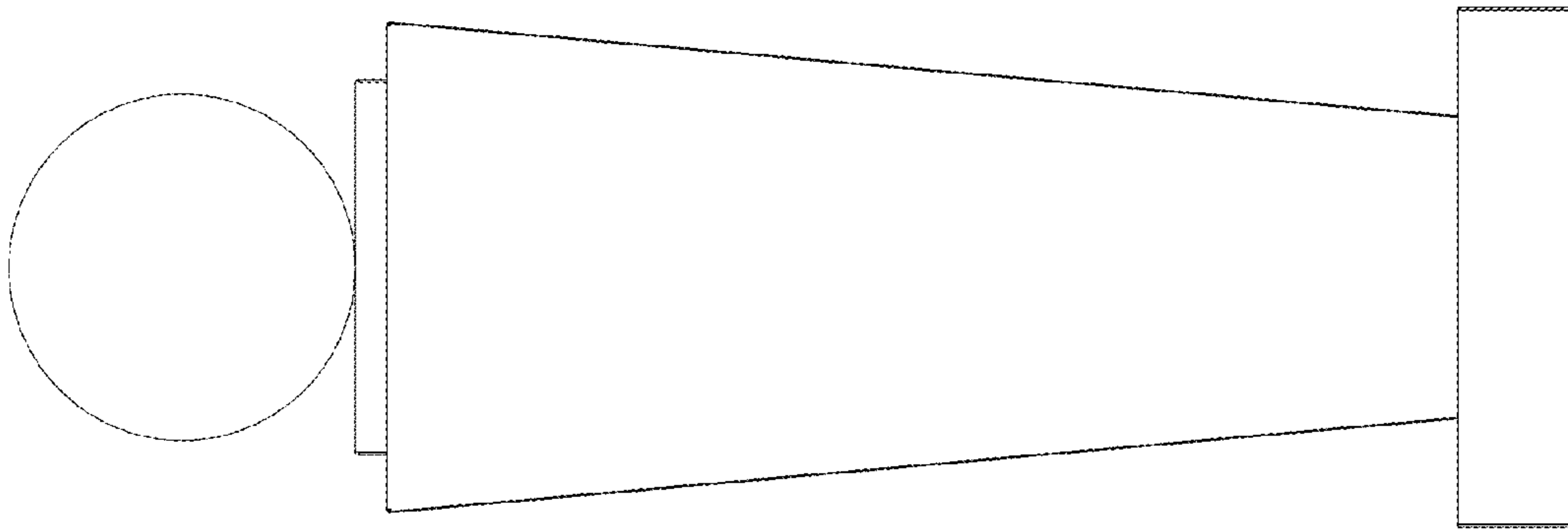


Fig. 4

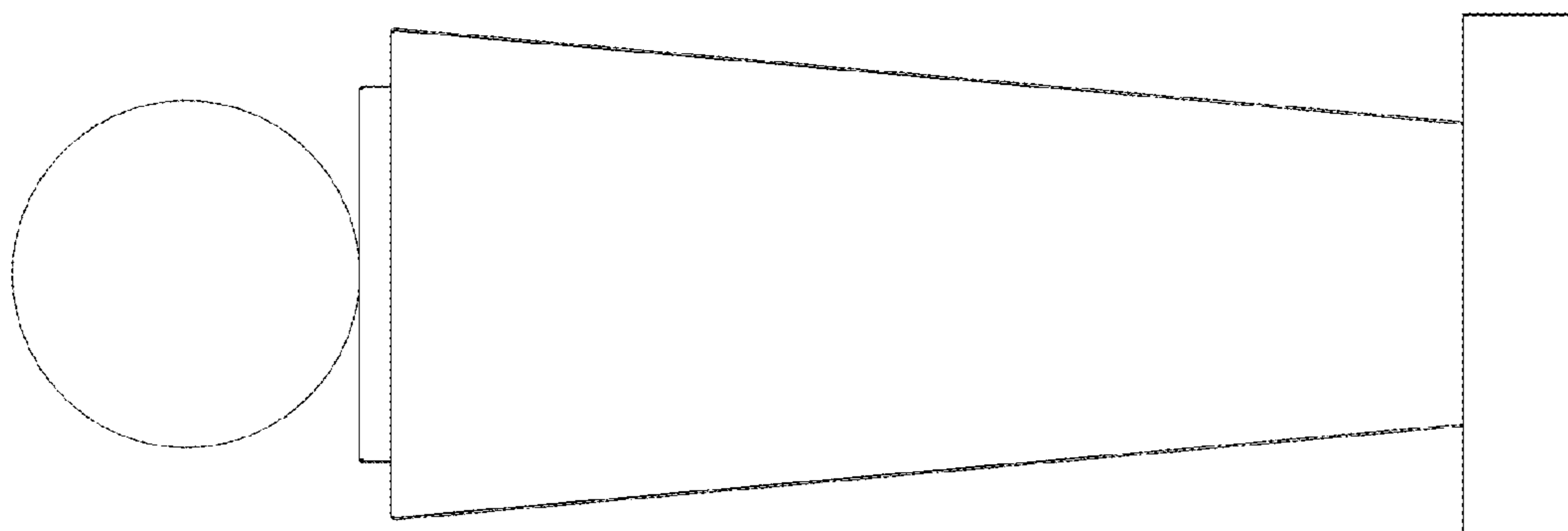


Fig. 5

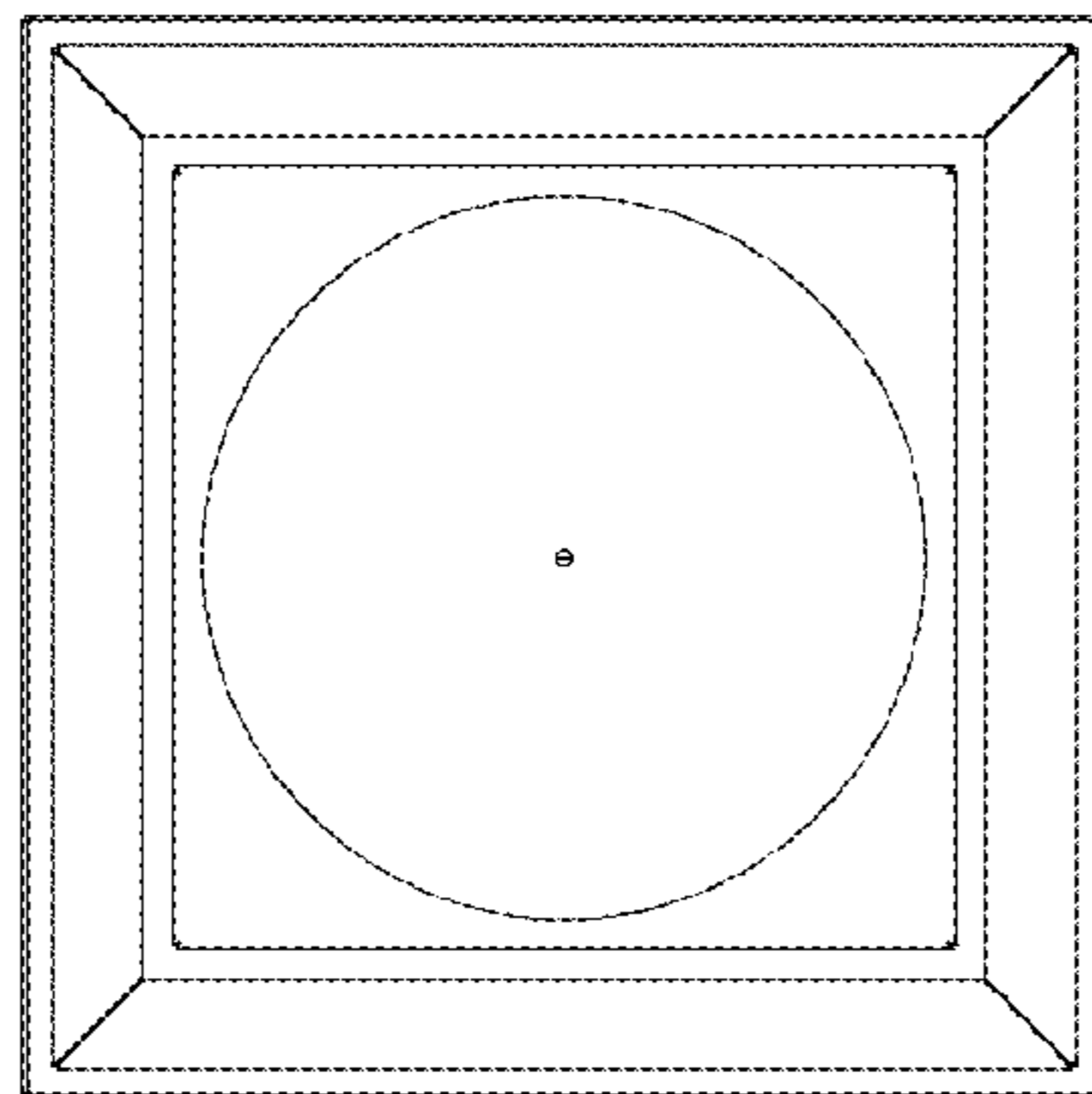
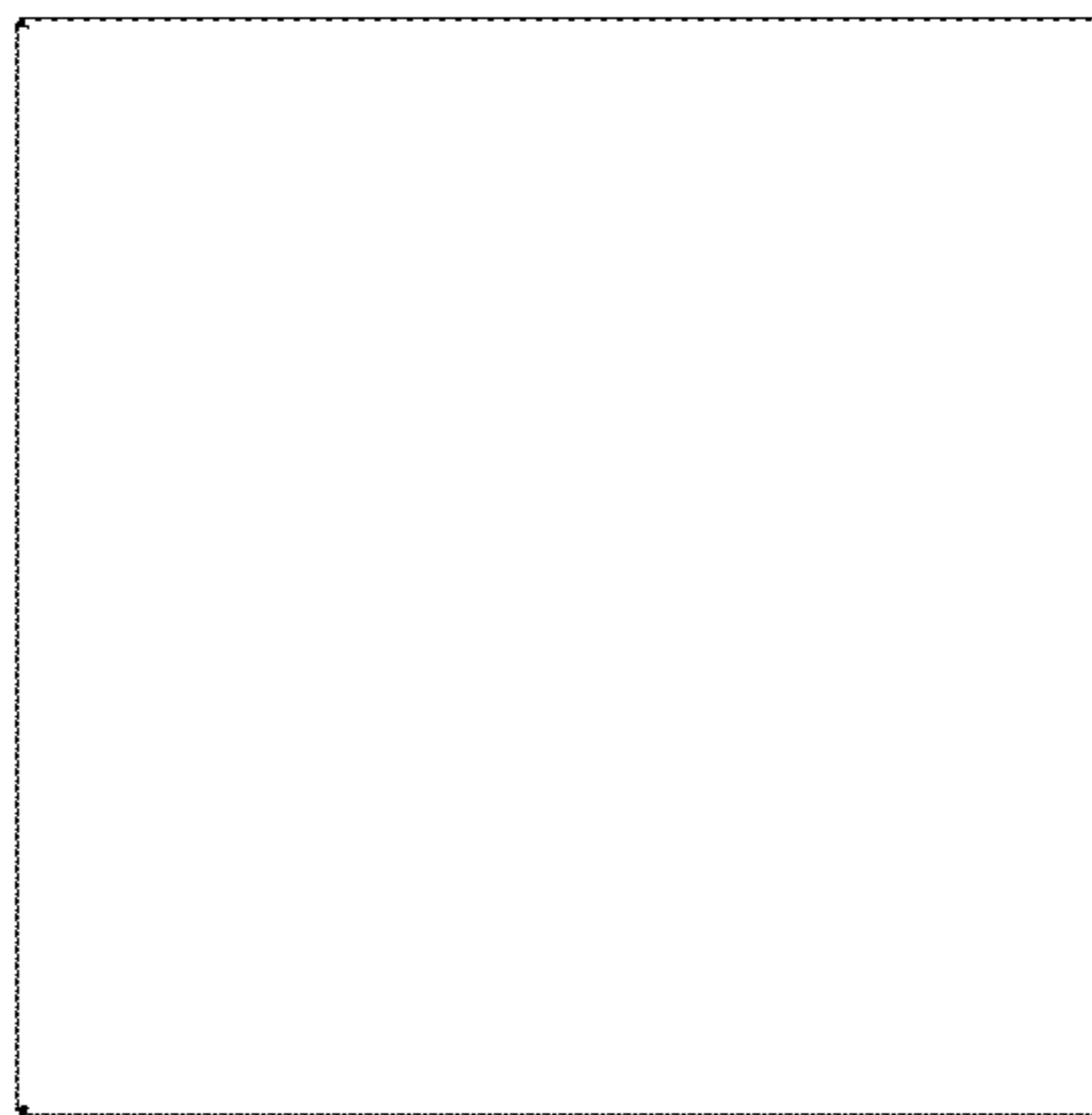


Fig. 6



**Fig. 7**