



US00D739295S

(12) **United States Design Patent**  
**Thuma et al.**

(10) **Patent No.:** **US D739,295 S**  
(45) **Date of Patent:** **\*\* Sep. 22, 2015**

- (54) **PLANTER**
- (71) Applicant: **Suncast Technologies, LLC**, Palm Beach Gardens, FL (US)
- (72) Inventors: **Michael Thuma**, La Grange, IL (US); **Brian J. Russell**, Aurora, IL (US); **Michael R. Vogler**, Oswego, IL (US)
- (73) Assignee: **Suncast Technologies, LLC**, Palm Beach Gardens, FL (US)
- (\*\*) Term: **14 Years**
- (21) Appl. No.: **29/489,104**
- (22) Filed: **Apr. 25, 2014**
- (51) **LOC (10) Cl.** ..... **11-02**
- (52) **U.S. Cl.**  
USPC ..... **D11/152**
- (58) **Field of Classification Search**  
USPC ..... D6/403–405; D7/586, 587; D9/424, D9/428, 429, 642; D11/143–156, 164  
CPC ..... A01G 9/00; A01G 9/02; A01G 9/021; A01G 9/022; A01G 9/024; A01G 9/025; A01G 9/026; A01G 9/10; A01G 9/104; A01G 9/027; A01G 9/028  
See application file for complete search history.

D337,187	S	*	7/1993	Hampshire	.....	D34/1
5,325,765	A	*	7/1994	Sylvan et al.	.....	99/295
D364,112	S	*	11/1995	Dickinson et al.	.....	D11/152
D399,452	S	*	10/1998	Durbin	.....	D11/152
D461,432	S	*	8/2002	Carlson	.....	D11/153
D564,394	S	*	3/2008	Schmidt	.....	D11/152
7,624,536	B2	*	12/2009	Schromm	.....	47/66.6
D635,399	S	*	4/2011	DelVecchio	.....	D7/523
D669,814	S	*	10/2012	Plucinski	.....	D11/152
D687,297	S	*	8/2013	O'Brien et al.	.....	D9/429
D700,839	S	*	3/2014	O'Brien et al.	.....	D9/429
D704,592	S	*	5/2014	Hung et al.	.....	D11/152
D717,200	S	*	11/2014	Thuma et al.	.....	D11/152
D717,201	S	*	11/2014	Thuma et al.	.....	D11/152

\* cited by examiner

*Primary Examiner* — Elizabeth Albert

(74) *Attorney, Agent, or Firm* — McHale & Slavin, P.A.

(57) **CLAIM**

The ornamental design for a planter, as shown and described.

**DESCRIPTION**

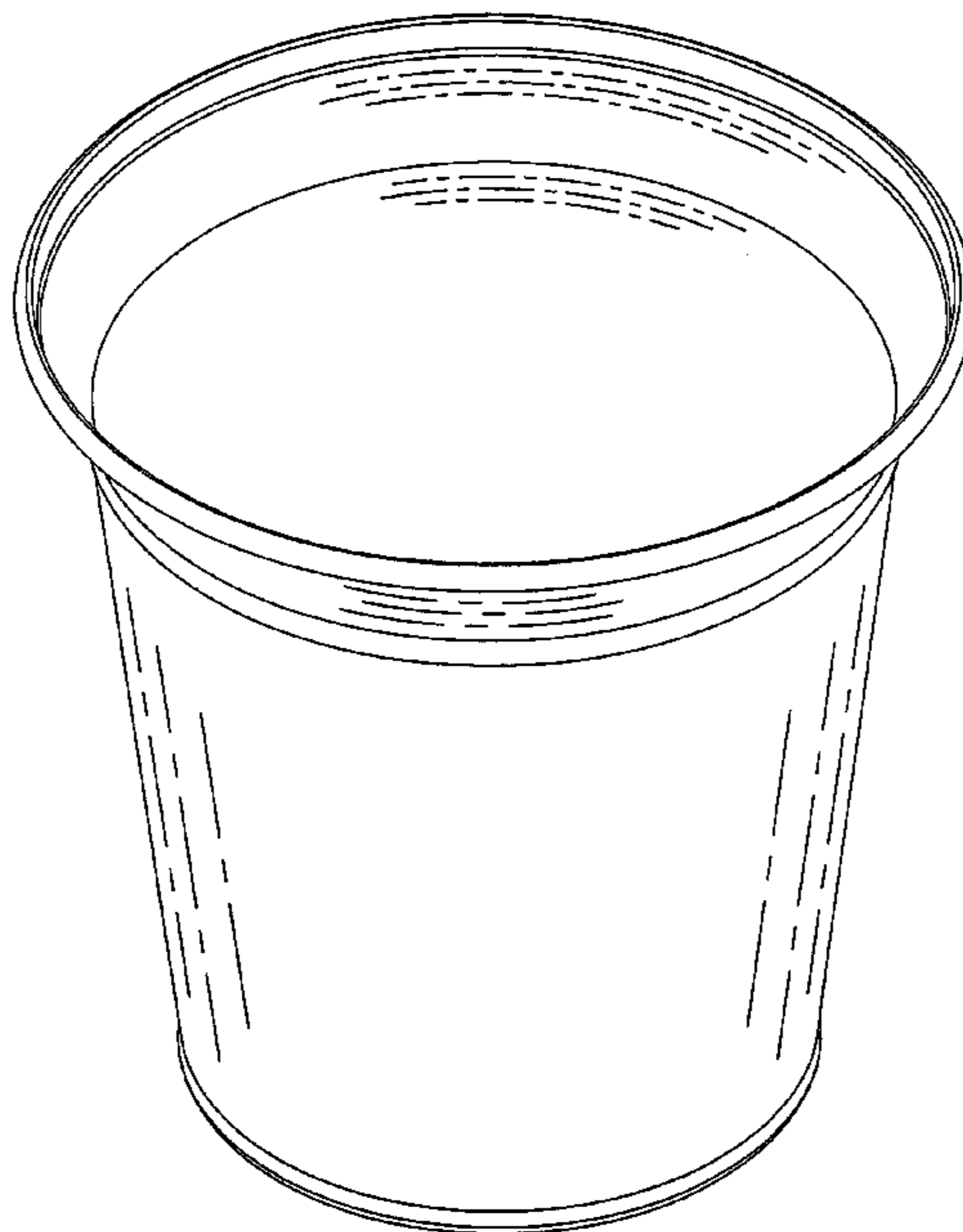
FIG. 1 is a front top perspective view of the planter of the present invention;  
 FIG. 2 is a front view, the rear view being a mirror image thereof;  
 FIG. 3 is a left side view, the right side view being a mirror image thereof;  
 FIG. 4 is a top view thereof; and,  
 FIG. 5 is a bottom view thereof.  
 The features shown in broken lines are included for the purpose of showing portions of the planter that form no part of the claimed design.

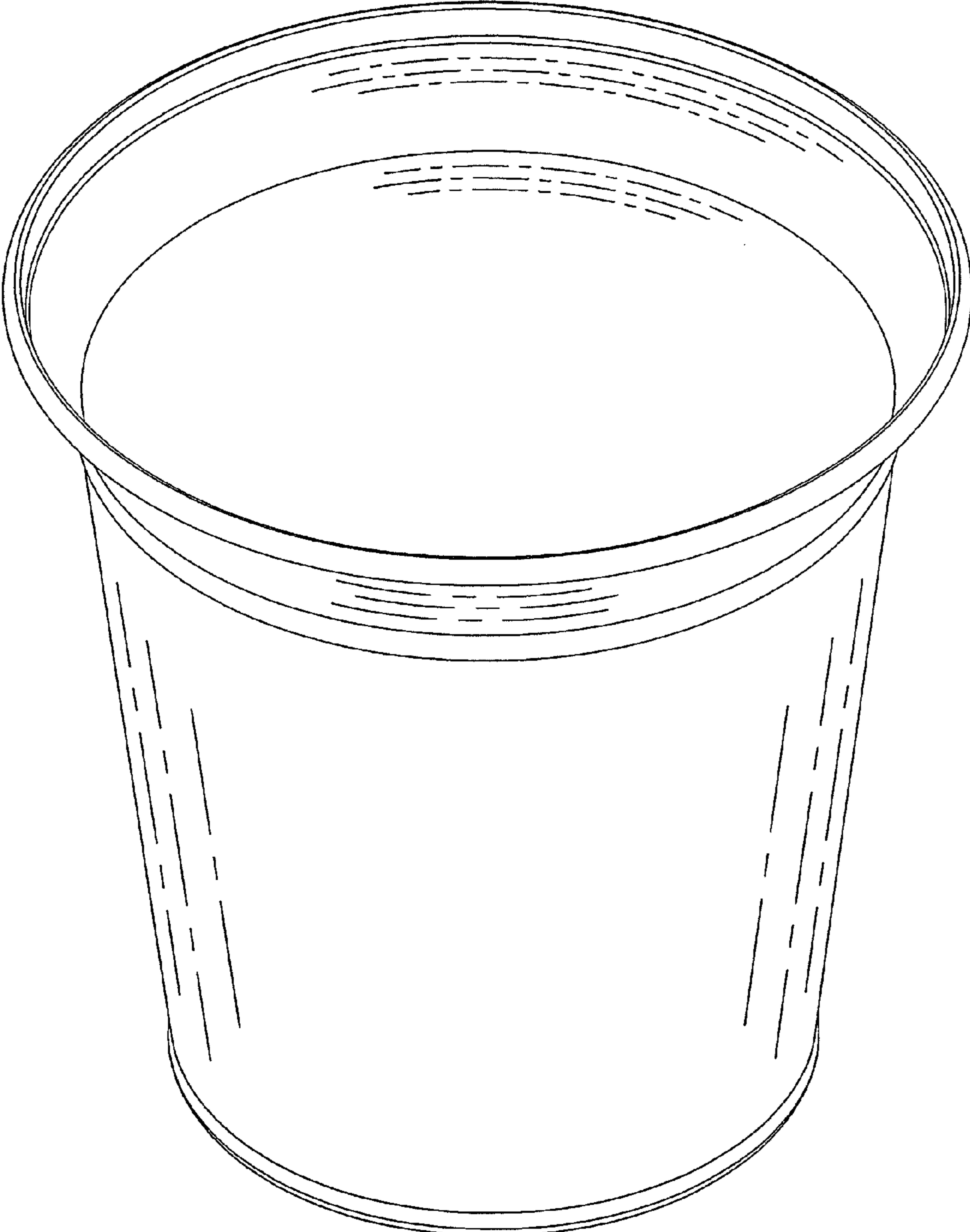
**1 Claim, 5 Drawing Sheets**

(56) **References Cited**

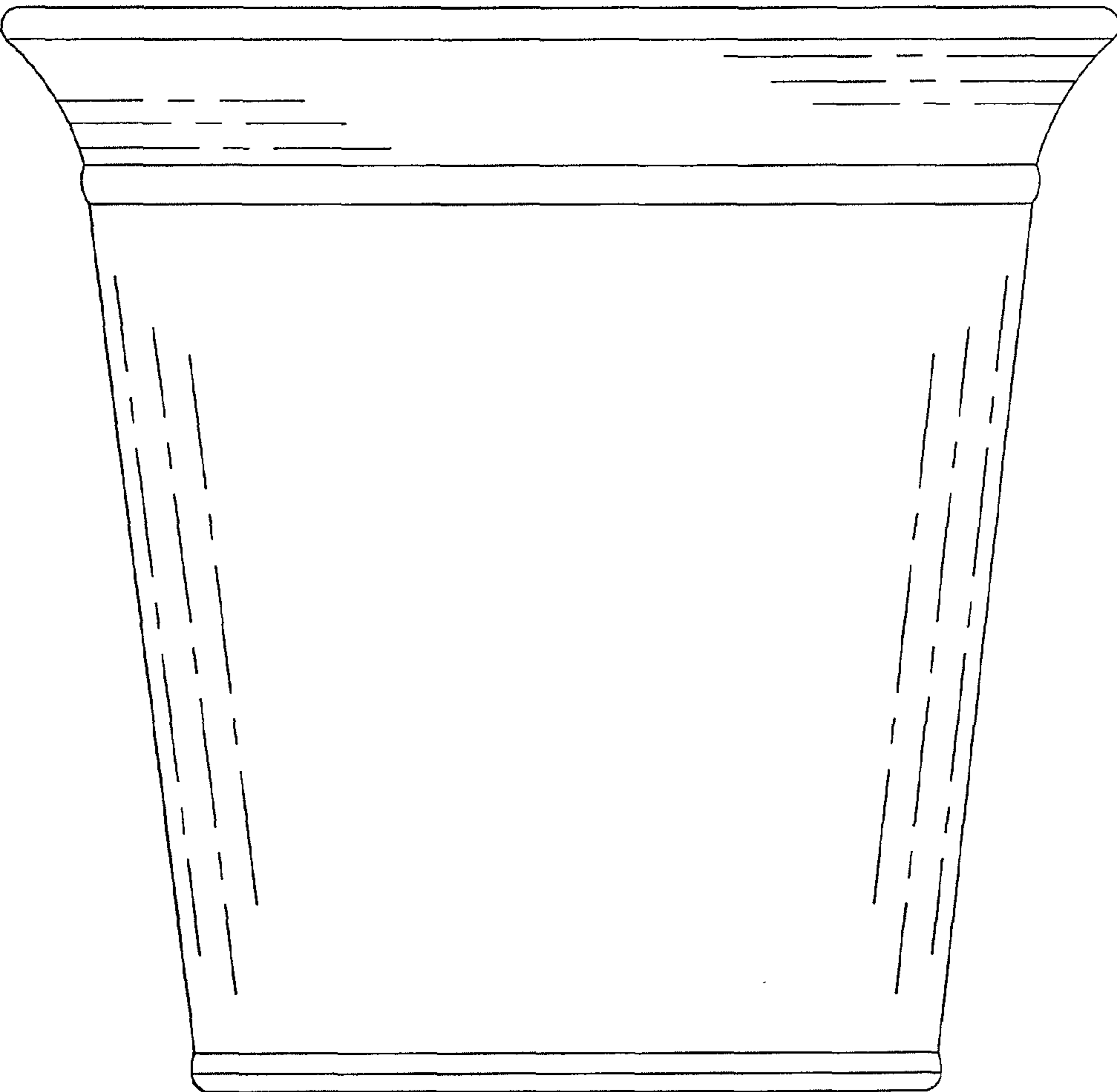
**U.S. PATENT DOCUMENTS**

2,707,588	A	*	5/1955	Amberg	.....	229/125.17
D255,339	S	*	6/1980	Christian	.....	D11/152
D258,338	S	*	2/1981	Gersin	.....	D7/584

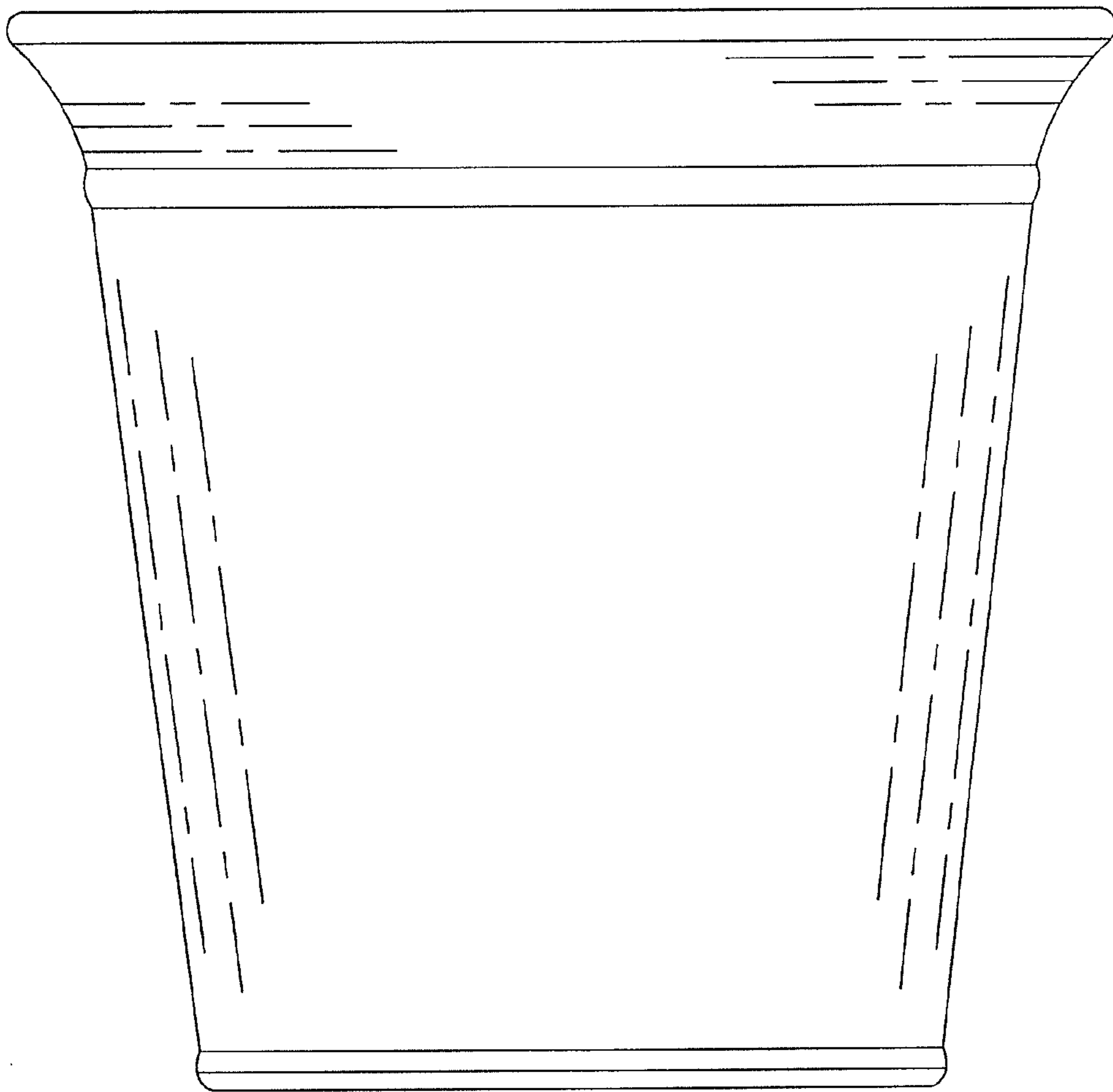




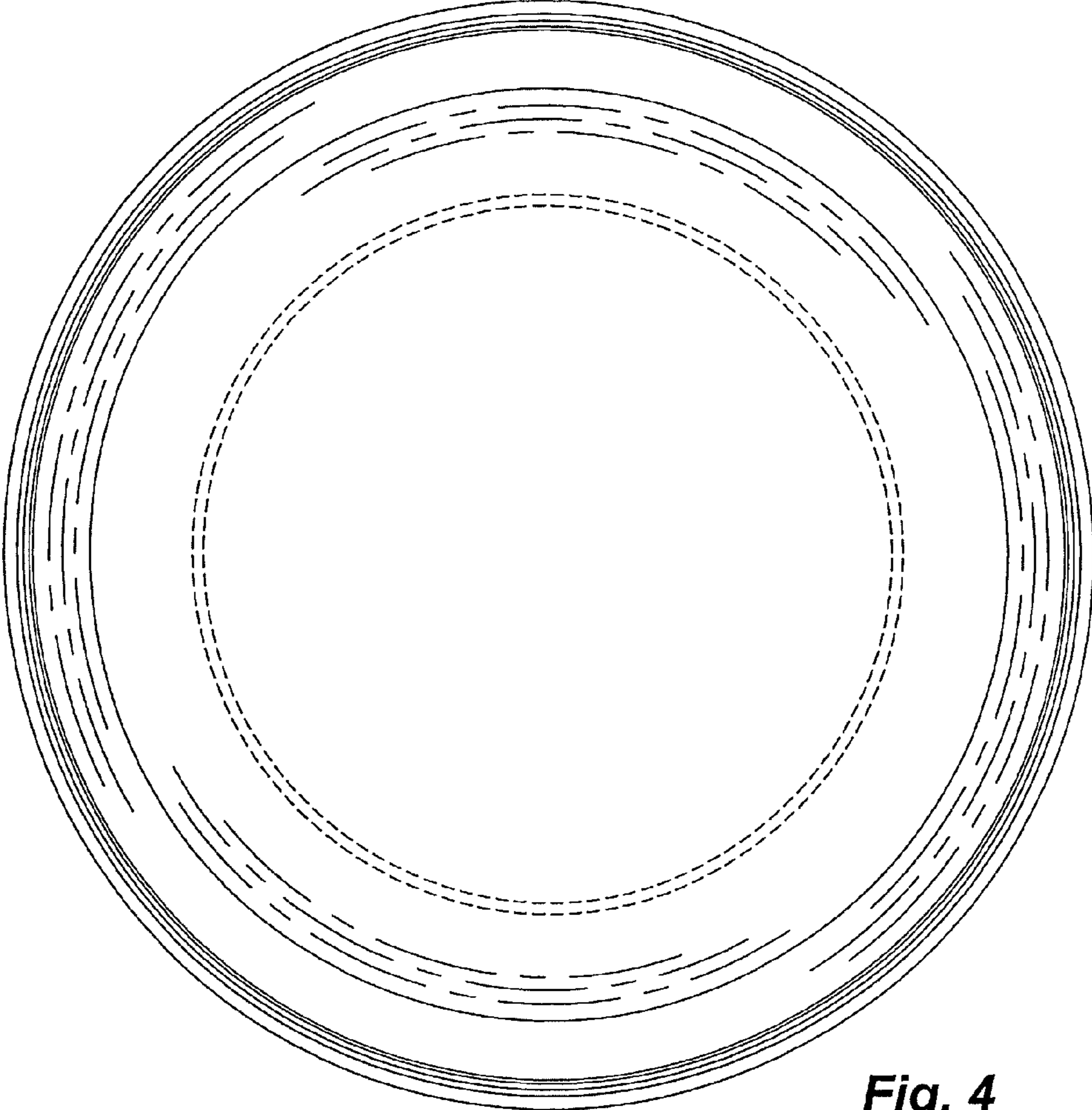
**Fig. 1**



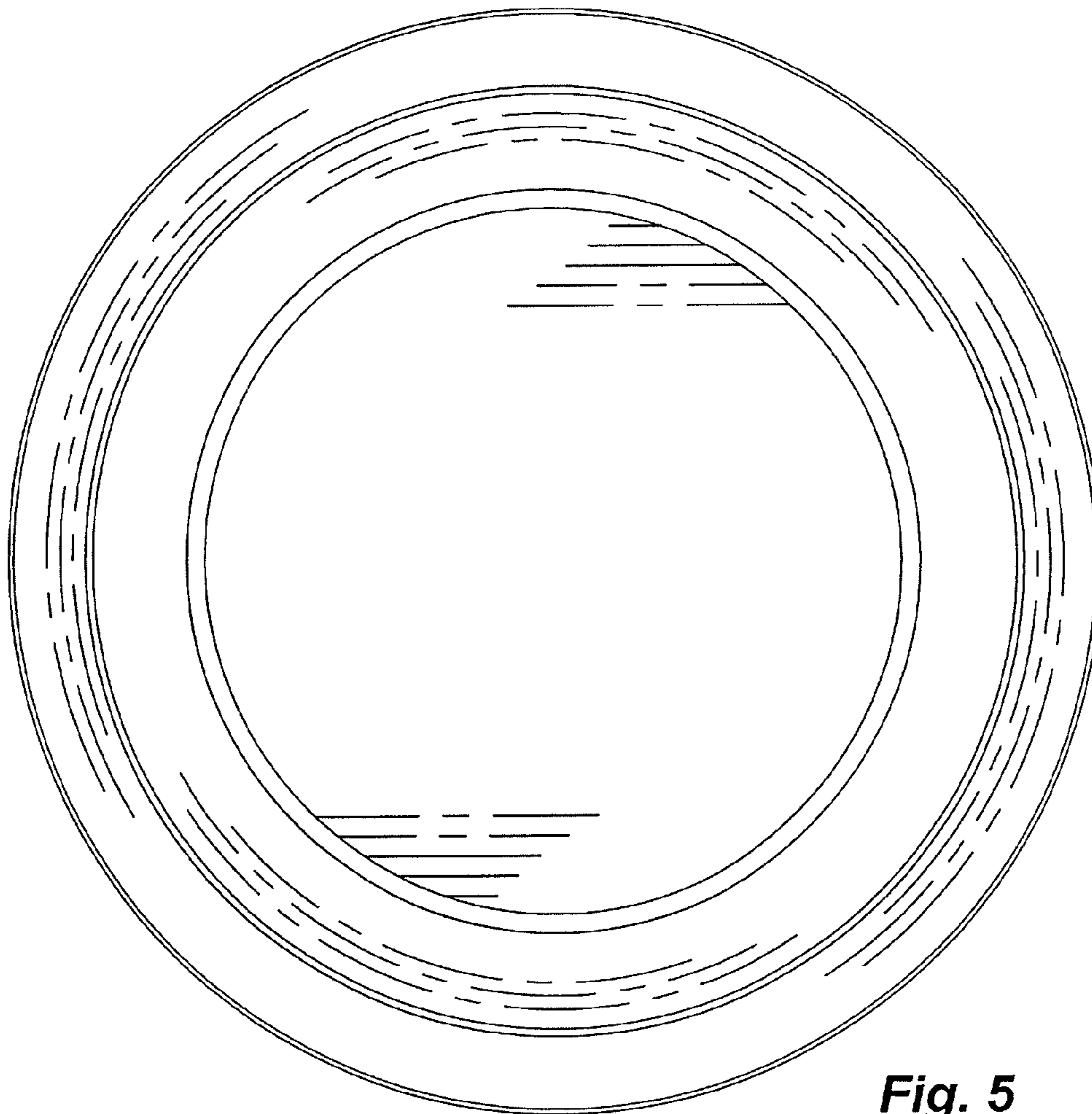
**Fig. 2**



**Fig. 3**



**Fig. 4**



**Fig. 5**