



US00D739289S

(12) **United States Design Patent**
Cerrato

(10) **Patent No.:** **US D739,289 S**

(45) **Date of Patent:** **** Sep. 22, 2015**

(54) **WATCH STRAP**

(71) Applicant: **TUDOR WATCH U.S.A., LLC**, New York, NY (US)

(72) Inventor: **Davide Cerrato**, Geneva (CH)

(73) Assignee: **TUDOR WATCH U.S.A., LLC**, New York, NY (US)

(**) Term: **14 Years**

(21) Appl. No.: **29/489,534**

(22) Filed: **Apr. 30, 2014**

(30) **Foreign Application Priority Data**

Nov. 1, 2013 (CH) 140195

(51) **LOC (10) Cl.** **11-01**

(52) **U.S. Cl.**
USPC **D11/3**

(58) **Field of Classification Search**
USPC D11/1-25, 200, 206, 214, 215; 63/1.11,
63/1.13, 1.14, 1.15, 1.16, 1.17, 3, 3.1, 3.2,
63/5.1, 6, 7, 12; 368/281-283;
D10/30-32, 38, 40, 125
CPC .. G04B 37/0427; G04B 37/05; G04B 47/046;
A44C 5/107

See application file for complete search history.

(56) **References Cited**

U.S. PATENT DOCUMENTS

D293,302	S	*	12/1987	Schoepfer	D11/3
D405,382	S	*	2/1999	Giardiello	D11/21
D405,711	S	*	2/1999	Feuvrier	D11/19
6,374,590	B1	*	4/2002	Walch	63/4
D467,515	S	*	12/2002	Blondin	D11/25
7,146,793	B1	*	12/2006	Hyun	63/4
D548,637	S	*	8/2007	Scarizzi	D11/3
D548,638	S	*	8/2007	Chodat	D11/3
D633,812	S	*	3/2011	Yurman	D10/32
D650,704	S	*	12/2011	Actis-Datta	D10/32

* cited by examiner

Primary Examiner — Cynthia Ramirez

Assistant Examiner — Llorellys Martinez-Rivera

(74) *Attorney, Agent, or Firm* — Sughrue Mion, PLLC

(57) **CLAIM**

The ornamental design for a watch strap, as shown and described.

DESCRIPTION

FIG. 1 is a perspective view of a watch strap according to my new design;

FIG. 2 is a front view thereof;

FIG. 3 is a rear view thereof;

FIG. 4 is first side view thereof;

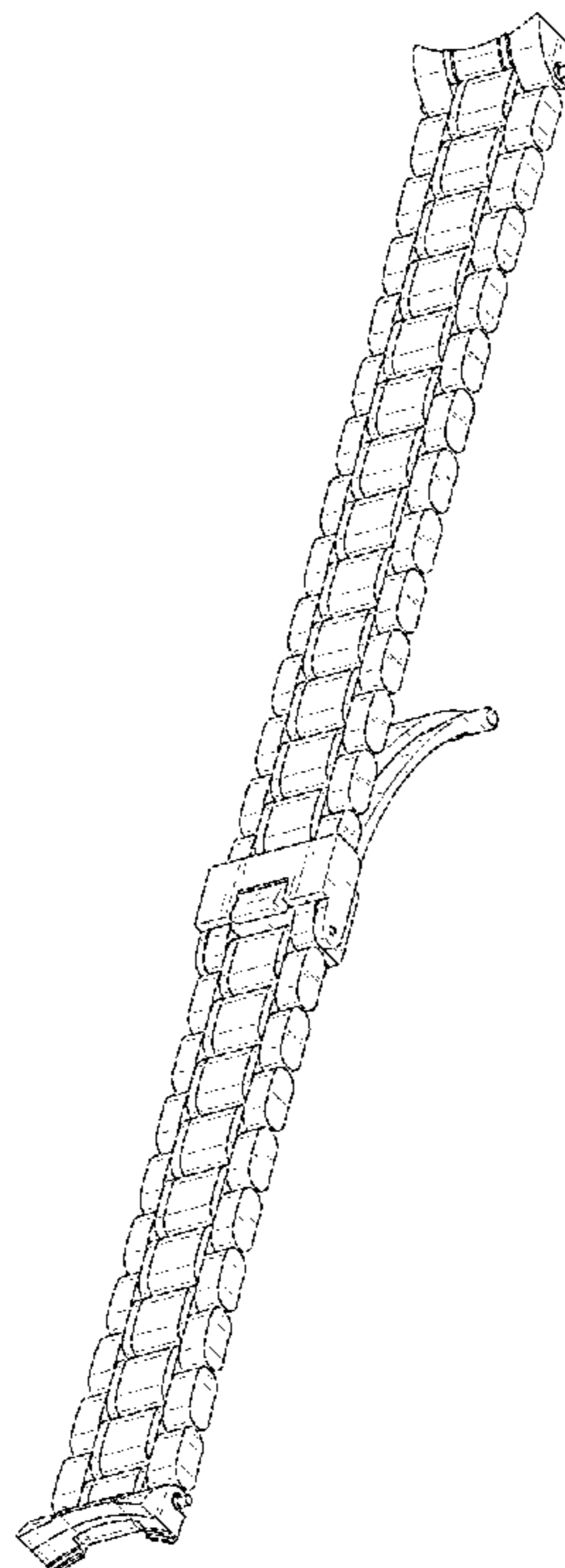
FIG. 5 is a second side view thereof;

FIG. 6 is a first end view thereof; and,

FIG. 7 is a second end view thereof.

The broken line areas show environmental subject matter and form no part of the claimed design.

1 Claim, 4 Drawing Sheets



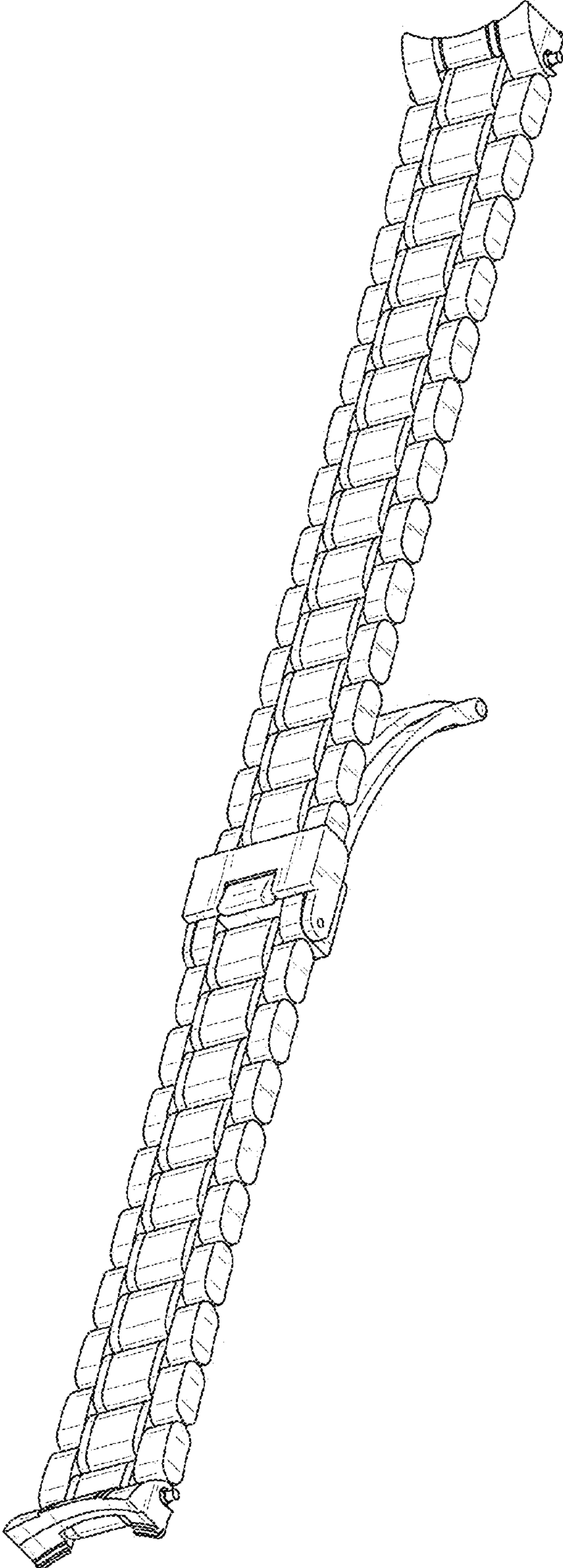


FIG. 1

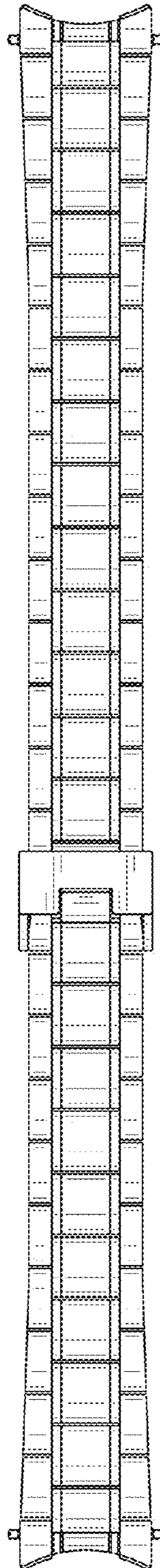


FIG. 2

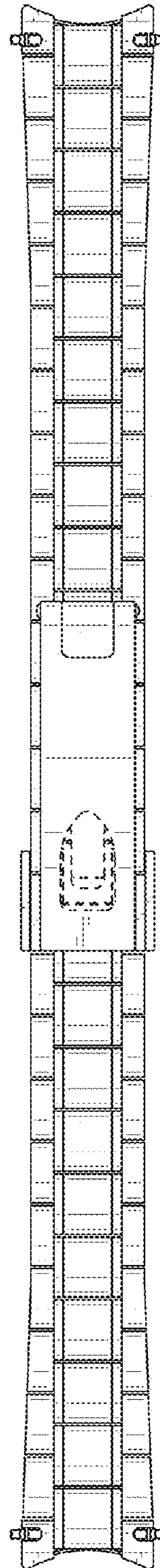


FIG. 3

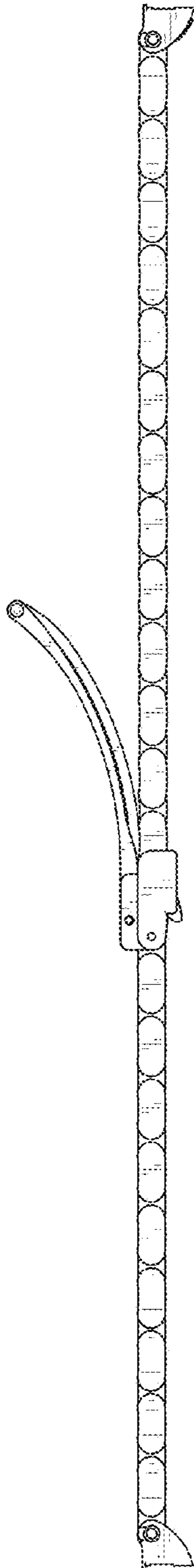


FIG. 4

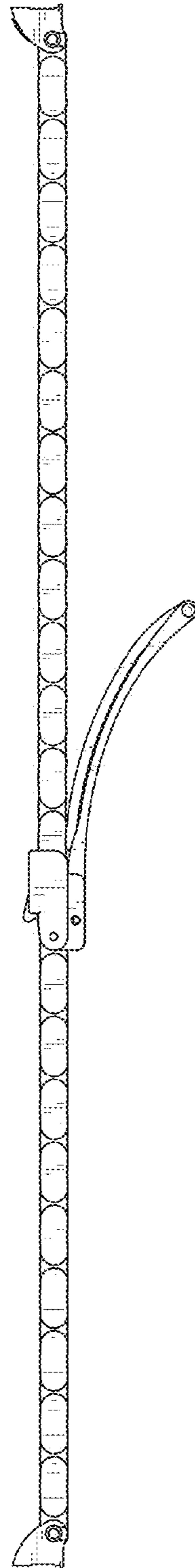


FIG. 5

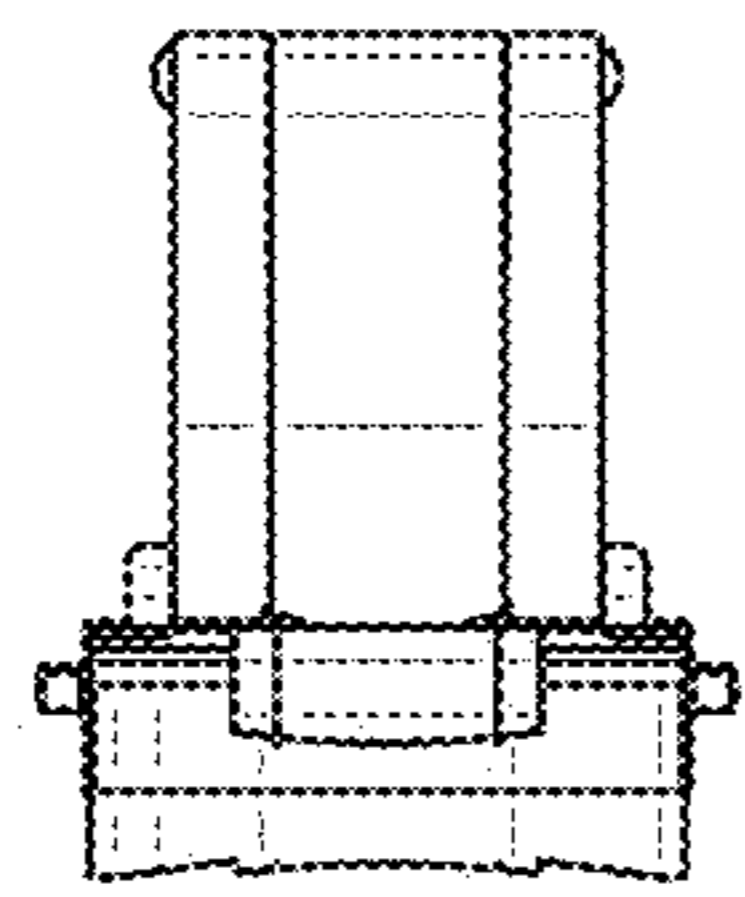


FIG. 6

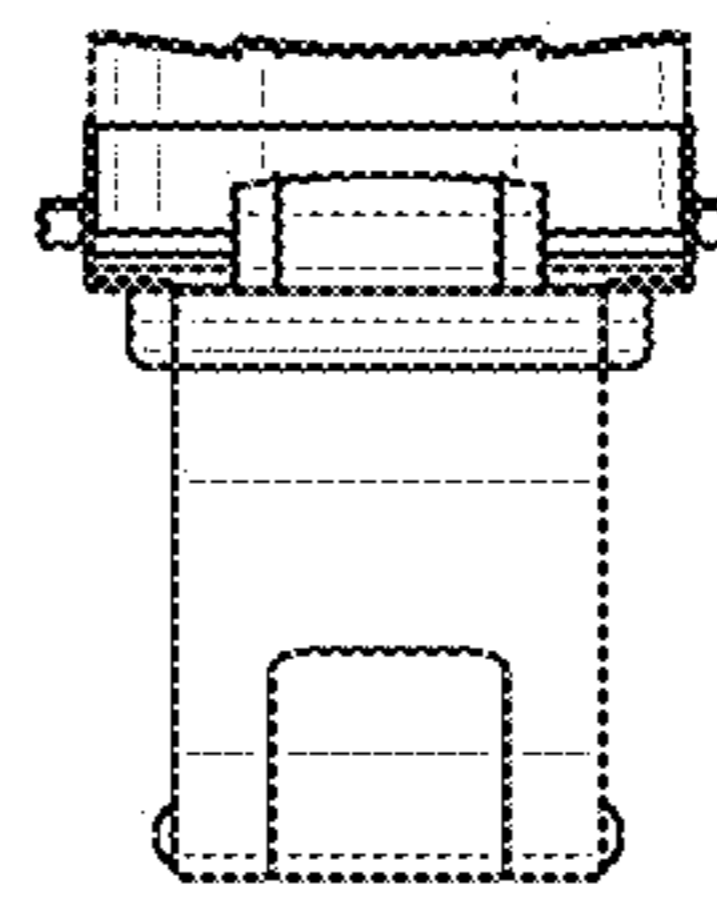


FIG. 7