



US00D739288S

(12) **United States Design Patent**
Fazio

(10) **Patent No.:** **US D739,288 S**

(45) **Date of Patent:** **** Sep. 22, 2015**

(54) **WATCH MOVEMENT**

(71) Applicant: **SWATCH LTD**, Biel/Bienne (CH)

(72) Inventor: **Antonio Fazio**, Lausanne (CH)

(73) Assignee: **SWATCH LTD**, Beil/Bienne (CH)

(**) Term: **14 Years**

(21) Appl. No.: **29/469,955**

(22) Filed: **Oct. 16, 2013**

(30) **Foreign Application Priority Data**

Apr. 16, 2013 (WO) DM/080 635

Apr. 16, 2013 (WO) DM/080 666

(51) **LOC (10) Cl.** **10-07**

(52) **U.S. Cl.**
USPC **D10/129**; D10/131

(58) **Field of Classification Search**
USPC D10/30-39, 1-29, 122-132
CPC G04B 5/00; G04B 5/02; G04B 5/04;
G04B 5/10; G04B 5/12; G04B 5/14; G04B
5/18; G04B 19/00; G04B 19/247; G04B
29/04; G04B 33/00; G04C 3/00; G04C
17/005; G04C 17/0058

See application file for complete search history.

(56) **References Cited**

U.S. PATENT DOCUMENTS

3,306,025 A * 2/1967 Kocher 368/148
3,846,973 A * 11/1974 Kurita 368/148
3,901,019 A * 8/1975 Kocher et al. 368/148
D250,179 S * 11/1978 Vallandigham et al. D10/129
4,247,926 A * 1/1981 Bachmann 368/28
D311,879 S * 11/1990 Tanaka D10/129

D317,729 S * 6/1991 Tanaka D10/129
D319,602 S * 9/1991 Tanaka D10/129
5,119,348 A * 6/1992 Mathys 368/151
D336,865 S * 6/1993 Besson D10/129
5,867,454 A * 2/1999 Takahashi et al. 368/148
6,244,742 B1 * 6/2001 Yamada et al. 368/148
D611,866 S * 3/2010 Dias D10/129
2008/0074952 A1 * 3/2008 Racine et al. 368/38
2011/0149697 A1 * 6/2011 Born et al. 368/208

OTHER PUBLICATIONS

U.S. Appl. No. 29/469,909, filed Oct. 16, 2013 inventor Antonio Fazio.

U.S. Appl. No. 29/469,910, filed Oct. 16, 2013 inventor Antonio Fazio.

U.S. Appl. No. 29/469,958, filed Oct. 16, 2013 inventors Antonio Fazio et al.

* cited by examiner

Primary Examiner — Martie K Holtje

(74) *Attorney, Agent, or Firm* — Donald J. Ranft; Kristen A. Mogavero; Collen IP

(57) **CLAIM**

The ornamental design for a watch movement, as shown.

DESCRIPTION

FIG. 1 is a front perspective view of a watch movement showing my new design;

FIG. 2 is a rear perspective view thereof;

FIG. 3 is a front view thereof;

FIG. 4 is a rear view thereof;

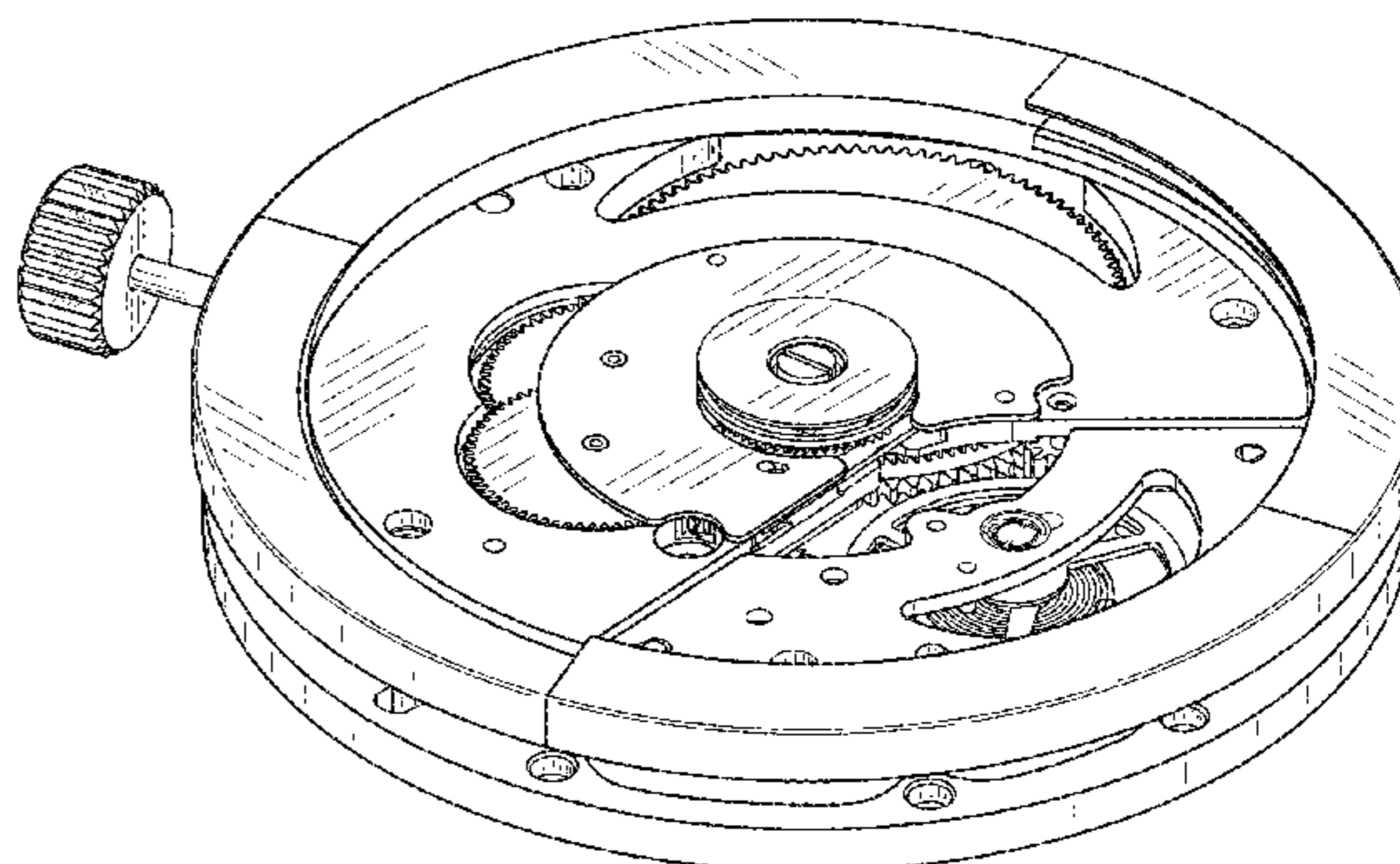
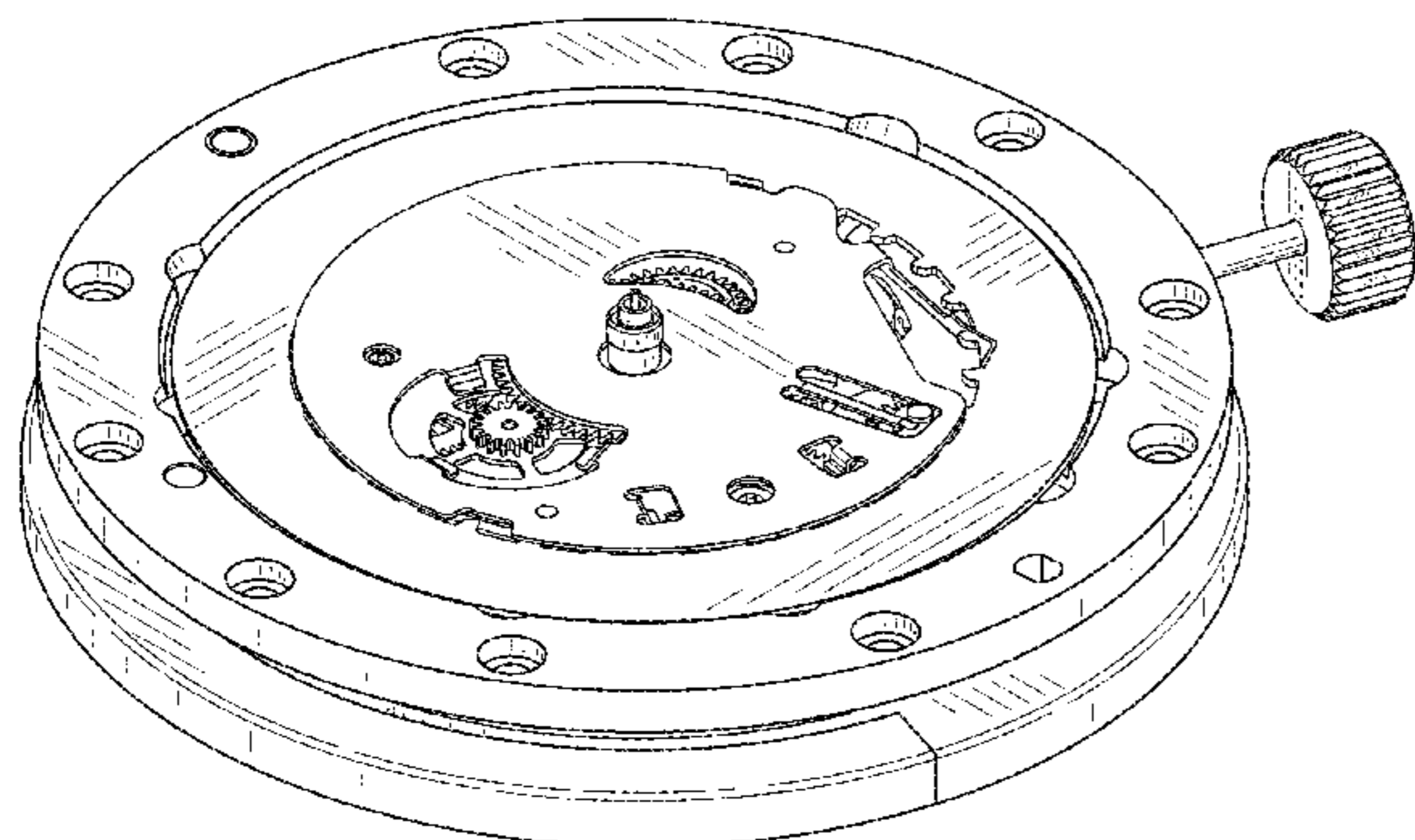
FIG. 5 is a left side view thereof;

FIG. 6 is a right side view thereof;

FIG. 7 is a top view thereof; and,

FIG. 8 is a bottom view.

1 Claim, 4 Drawing Sheets



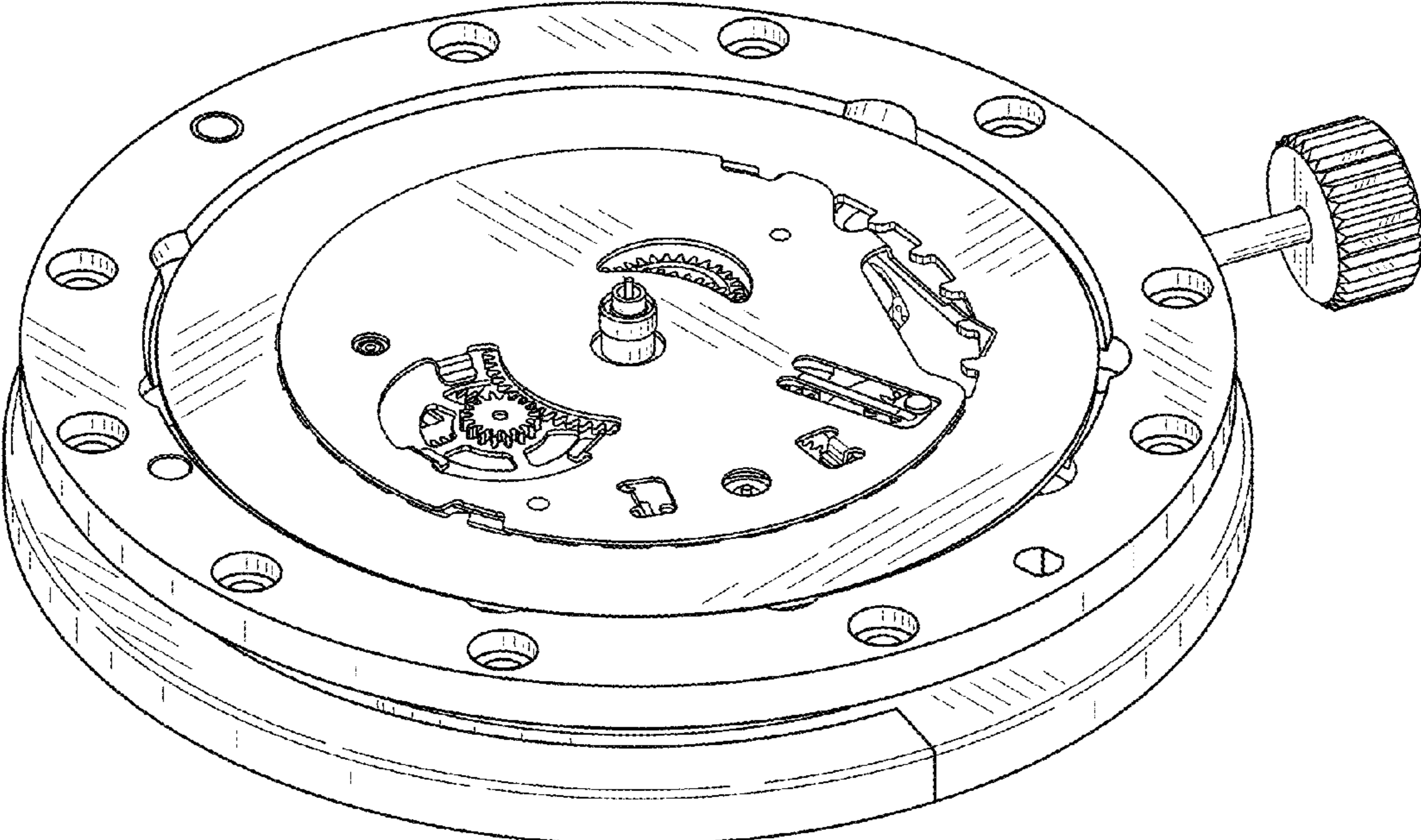


FIG. 1

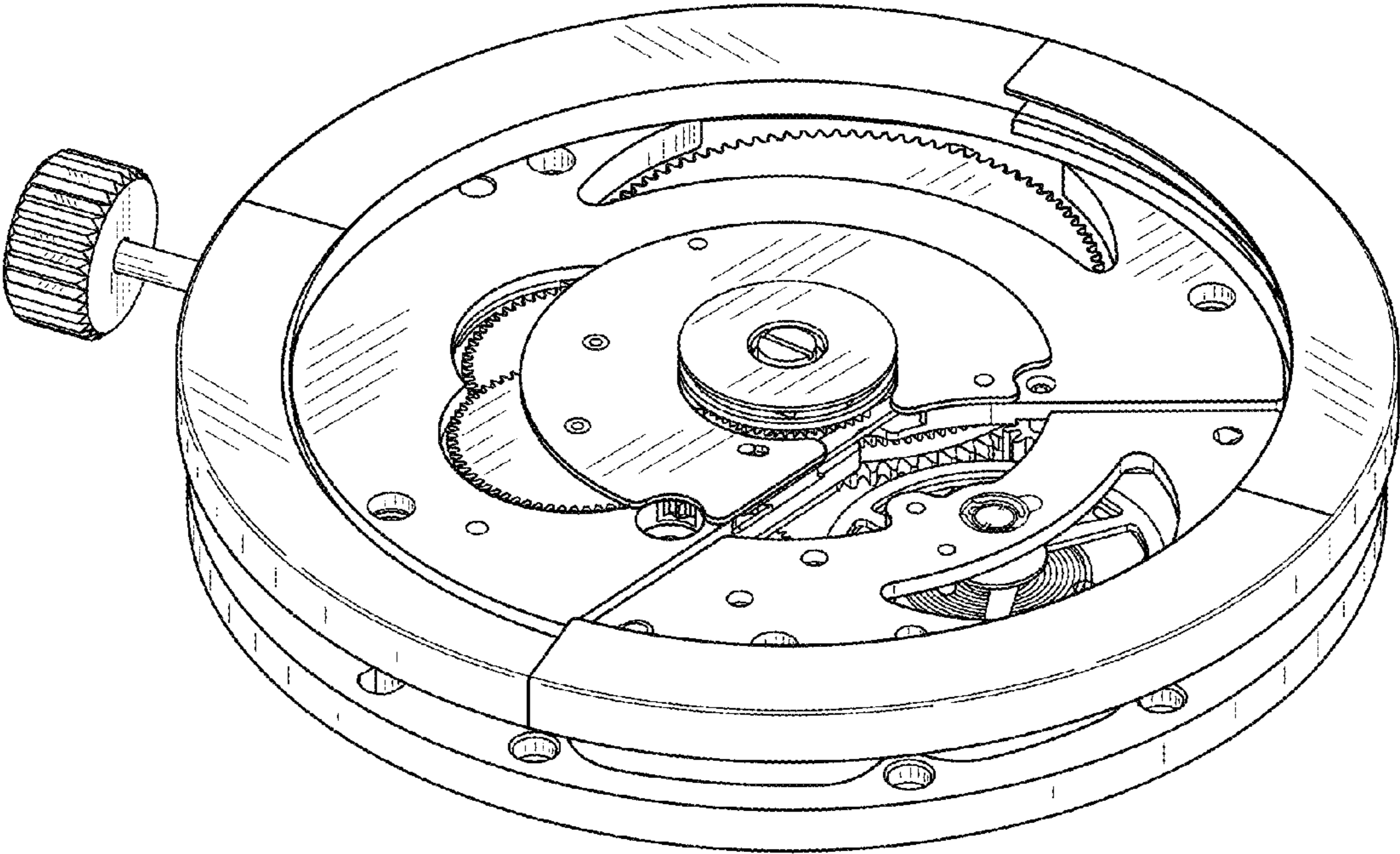


FIG. 2

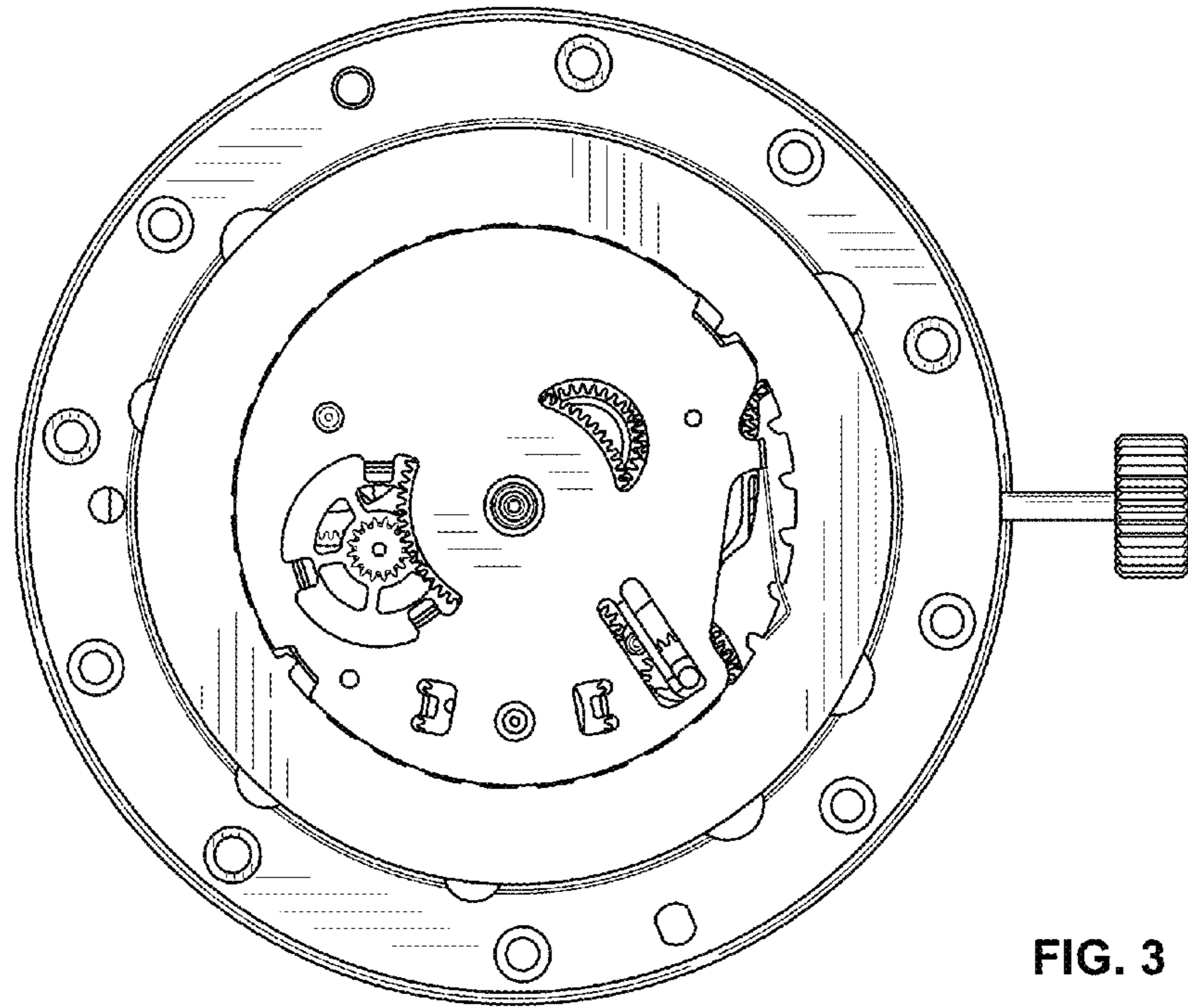


FIG. 3

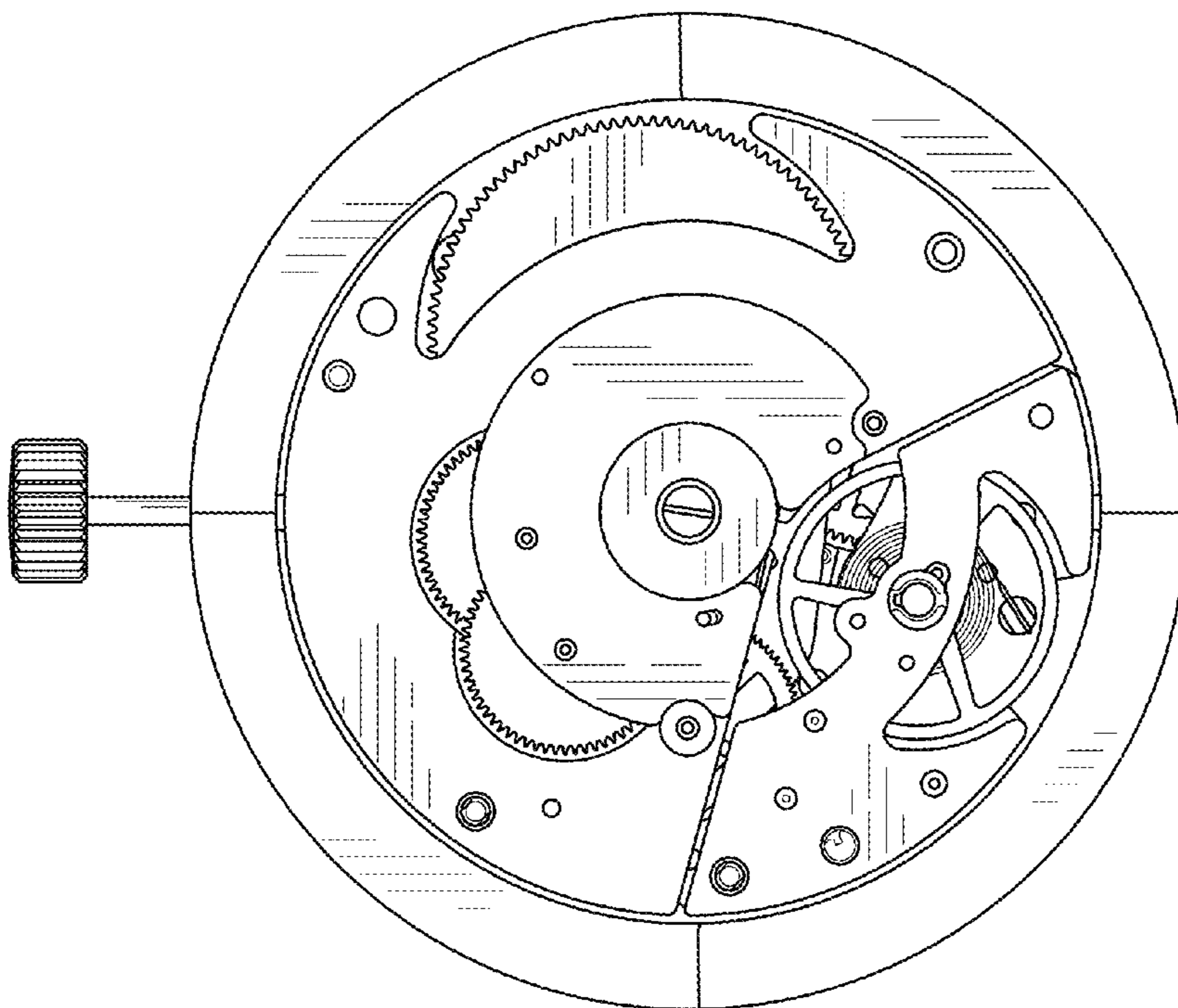


FIG. 4

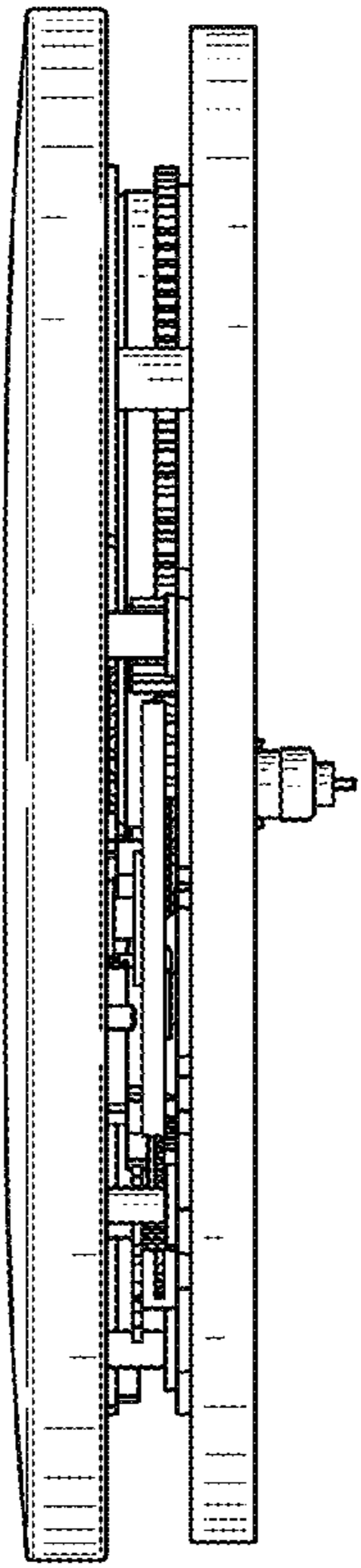


FIG. 5

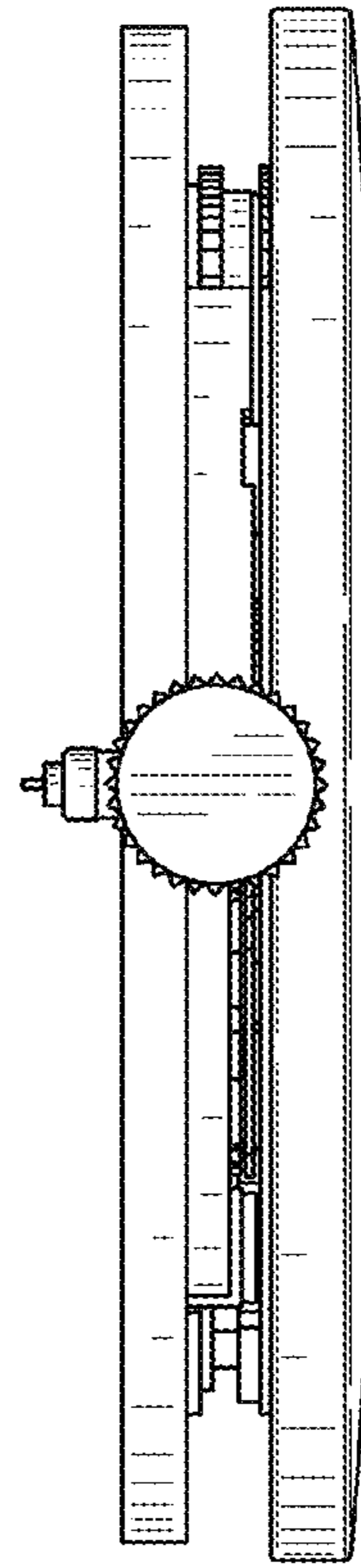


FIG. 6

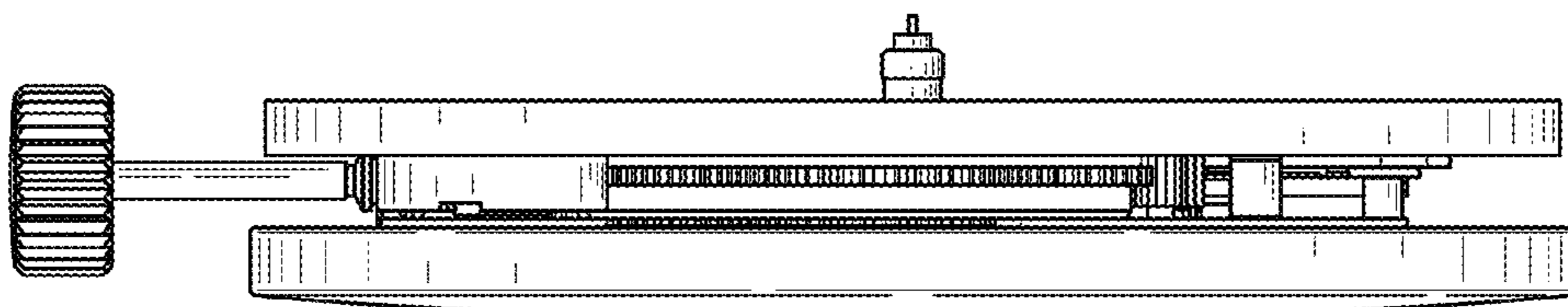


FIG. 7

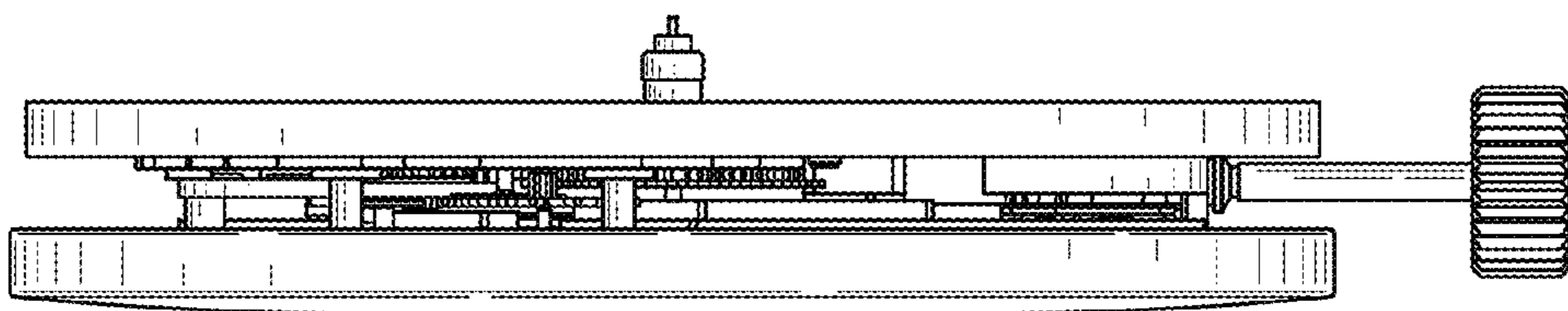


FIG. 8