



US00D739287S

(12) **United States Design Patent**  
**Fazio**

(10) **Patent No.:** **US D739,287 S**

(45) **Date of Patent:** **\*\* Sep. 22, 2015**

(54) **WATCH MOVEMENT**

(71) Applicant: **SWATCH LTD**, Biel/Bienne (CH)

(72) Inventor: **Antonio Fazio**, Lausanne (CH)

(73) Assignee: **SWATCH LTD**, Biel/Bienne (CH)

(\*\*) Term: **14 Years**

(21) Appl. No.: **29/469,910**

(22) Filed: **Oct. 16, 2013**

(30) **Foreign Application Priority Data**

Apr. 16, 2013 (WO) ..... DM/080 635

Apr. 16, 2013 (WO) ..... DM/080 666

(51) **LOC (10) Cl.** ..... **10-07**

(52) **U.S. Cl.**  
USPC ..... **D10/129; D10/131**

(58) **Field of Classification Search**  
USPC ..... D10/30-39, 1-29, 122-132  
CPC ..... G04B 5/00; G04B 5/02; G04B 5/04;  
G04B 5/10; G04B 5/12; G04B 5/14; G04B  
5/18; G04B 19/00; G04B 19/247; G04B  
29/04; G04B 33/00; G04C 3/00; G04C  
17/005; G04C 17/0058

See application file for complete search history.

(56) **References Cited**

**U.S. PATENT DOCUMENTS**

D36,778 S \* 2/1904 Reaves ..... D10/129  
1,199,256 A \* 9/1916 Farr ..... 368/286  
3,293,846 A \* 12/1966 Pauli ..... 368/10  
3,306,025 A \* 2/1967 Kocher ..... 368/148  
3,846,973 A \* 11/1974 Kurita ..... 368/148  
3,901,019 A \* 8/1975 Kocher et al. .... 368/148  
D250,179 S \* 11/1978 Vallandigham et al. .... D10/129  
4,247,926 A \* 1/1981 Bachmann ..... 368/28

D311,879 S \* 11/1990 Tanaka ..... D10/129  
D317,729 S \* 6/1991 Tanaka ..... D10/129  
D319,602 S \* 9/1991 Tanaka ..... D10/129  
5,119,348 A \* 6/1992 Mathys ..... 368/151  
D336,865 S \* 6/1993 Besson ..... D10/129  
5,867,454 A \* 2/1999 Takahashi et al. .... 368/148  
6,244,742 B1 \* 6/2001 Yamada et al. .... 368/148  
D611,866 S \* 3/2010 Dias ..... D10/129  
D667,317 S \* 9/2012 Jamin ..... D10/39  
2008/0074952 A1 \* 3/2008 Racine et al. .... 368/38  
2011/0149697 A1 \* 6/2011 Born et al. .... 368/208

**OTHER PUBLICATIONS**

U.S. Appl. No. 29/469,909, filed Oct. 16, 2013 inventor Antonio Fazio.

U.S. Appl. No. 29/469,955, filed Oct. 16, 2013 inventor Antonio Fazio.

U.S. Appl. No. 29/469,958, filed Oct. 16, 2013 inventors Antonio Fazio et al.

\* cited by examiner

*Primary Examiner* — Martie K Holtje

(74) *Attorney, Agent, or Firm* — Donald J. Ranft; Kristen A. Mogavero; Collen IP

(57) **CLAIM**

The ornamental design for a watch movement, as shown.

**DESCRIPTION**

FIG. 1 is a front perspective view of a watch movement showing my new design;

FIG. 2 is a rear perspective view thereof;

FIG. 3 is a front view thereof;

FIG. 4 is a rear view thereof;

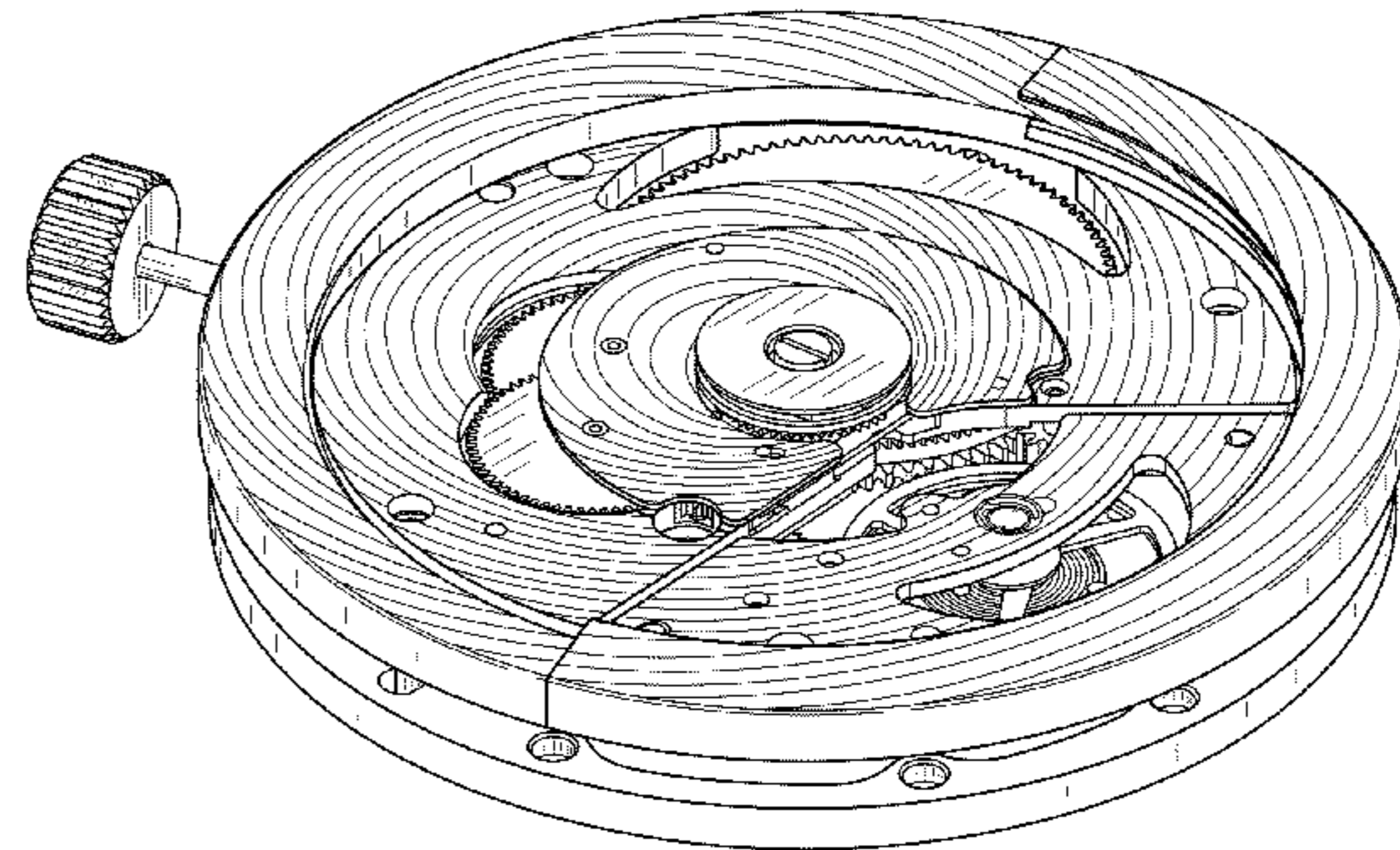
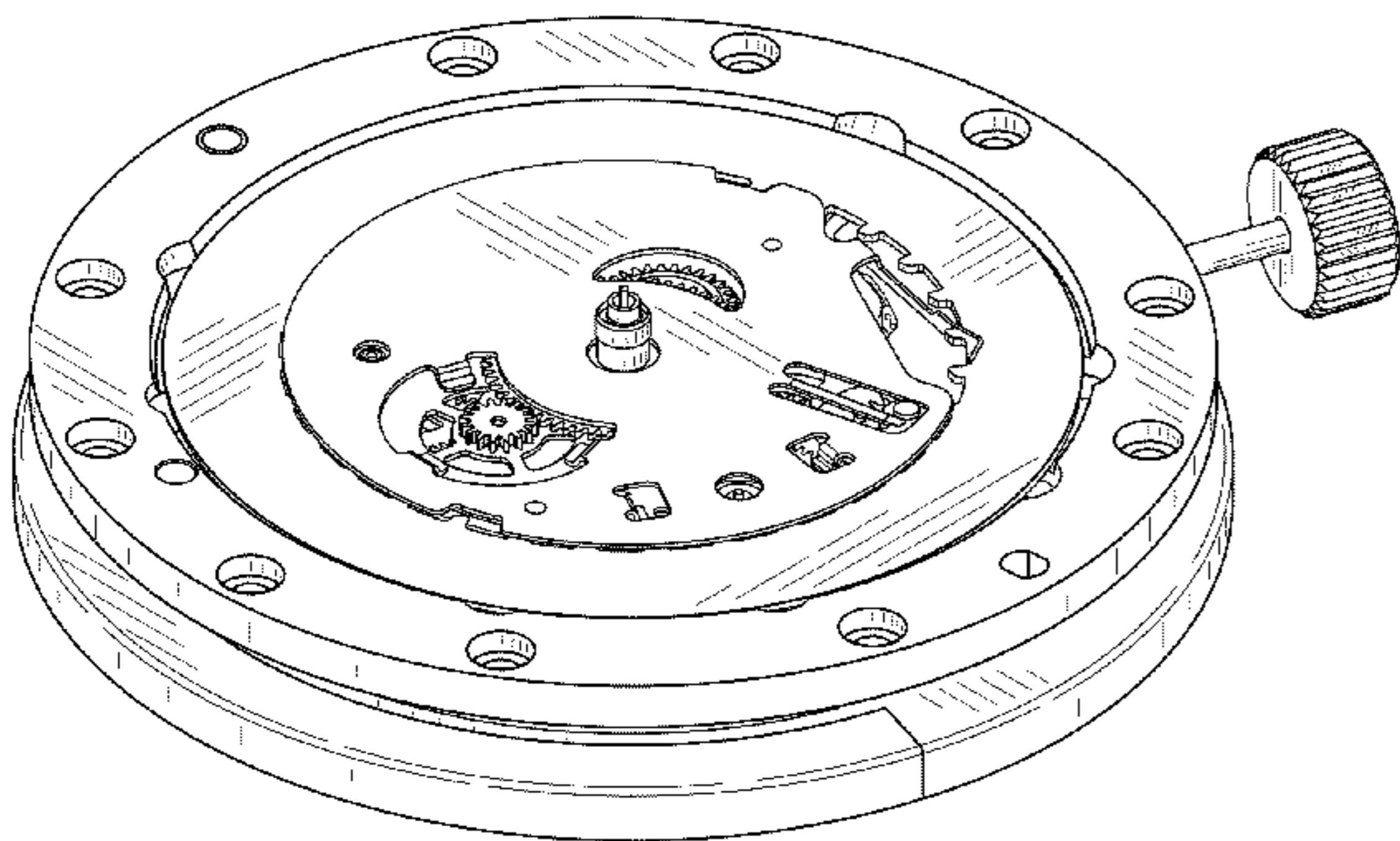
FIG. 5 is a right side view thereof;

FIG. 6 is a left side view thereof;

FIG. 7 is a top view thereof; and,

FIG. 8 is a bottom view.

**1 Claim, 4 Drawing Sheets**



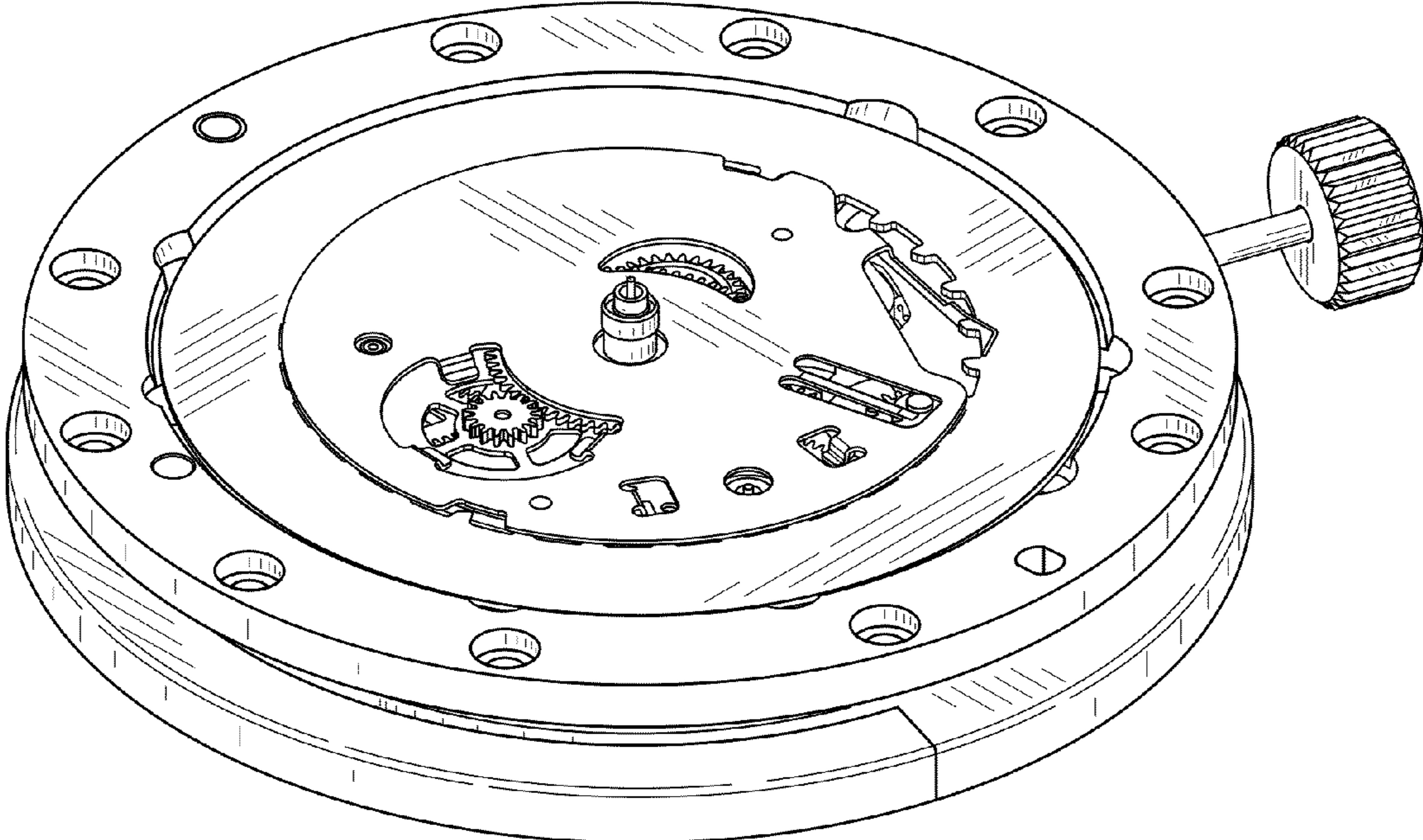


FIG. 1

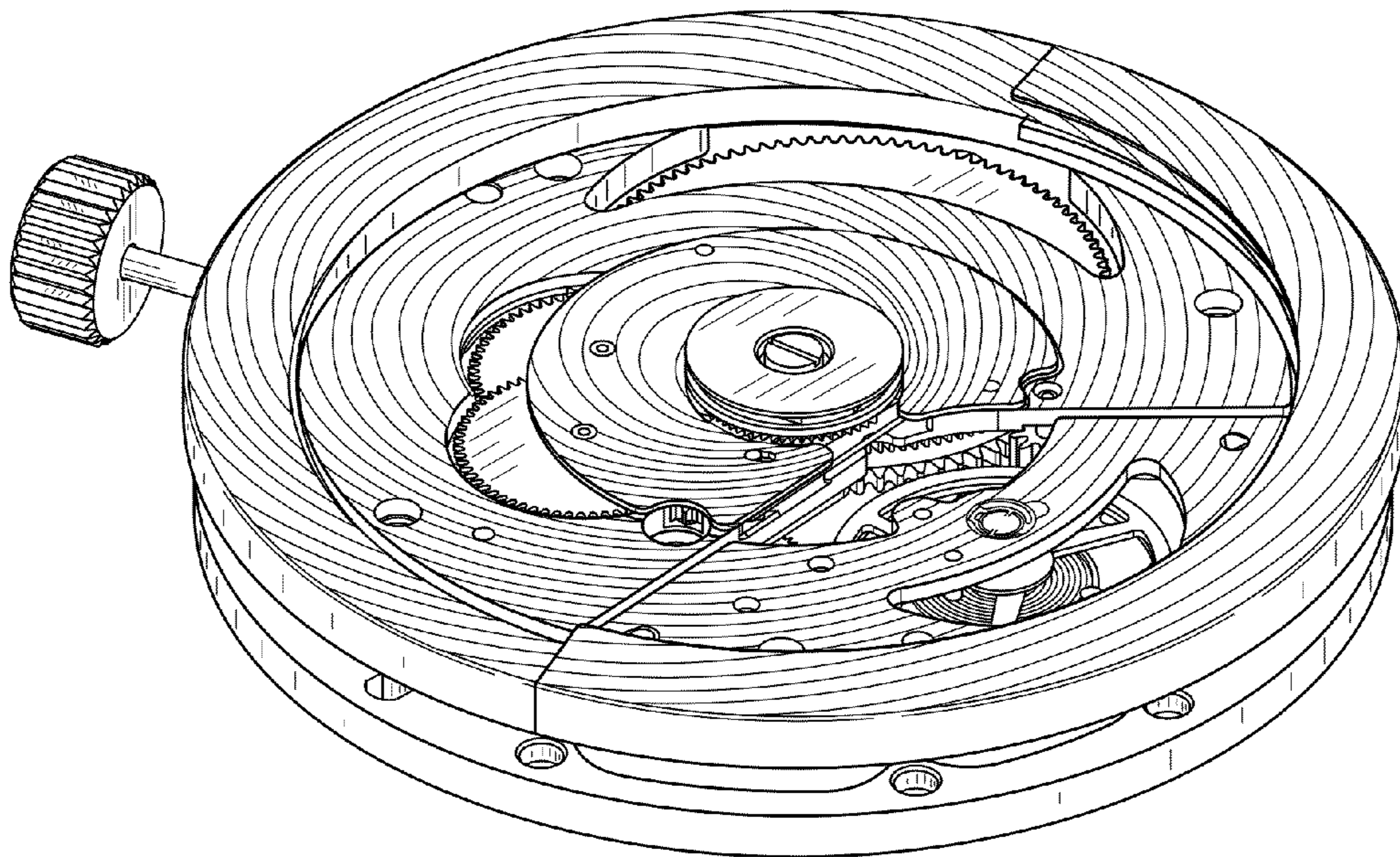


FIG. 2

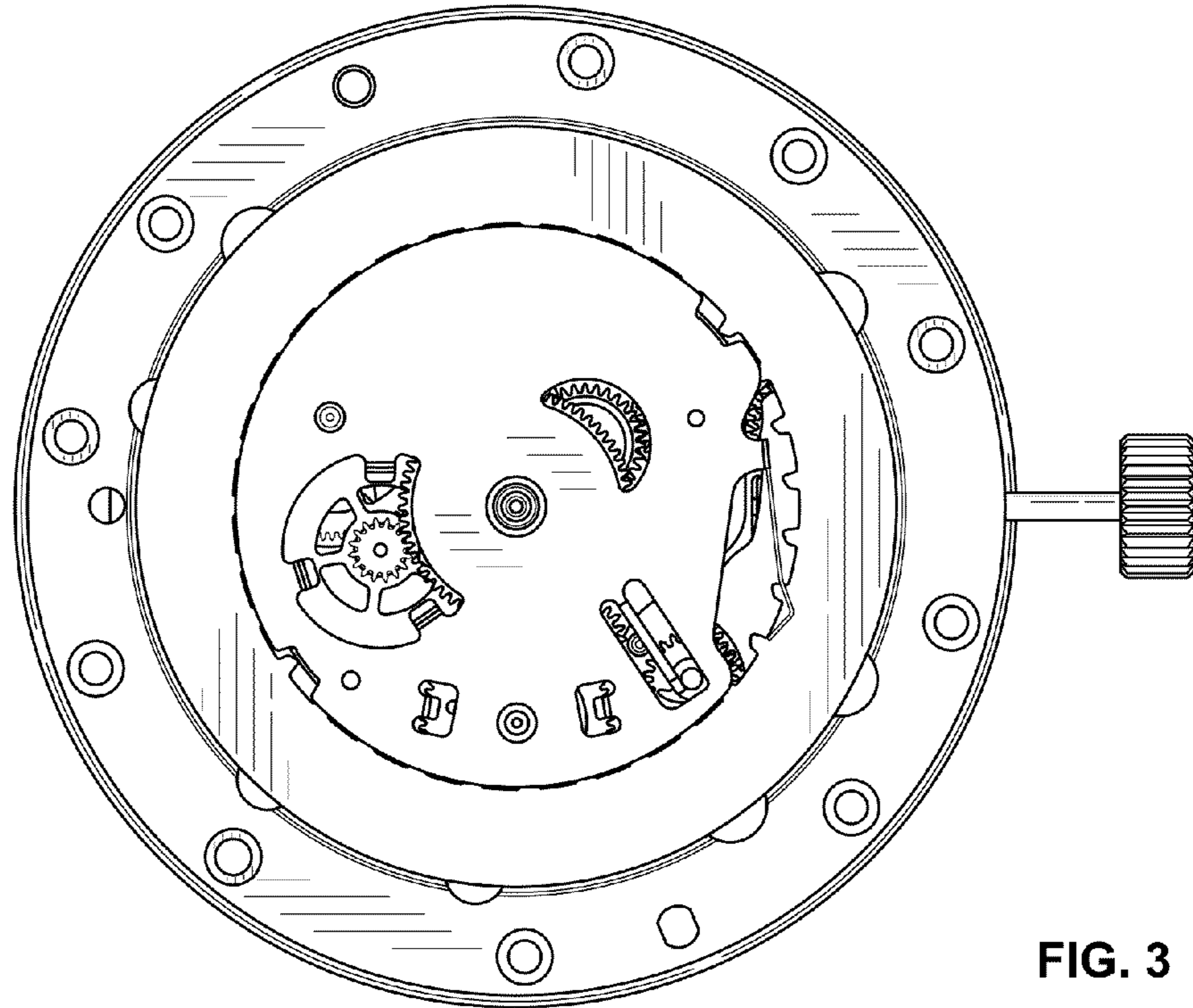


FIG. 3

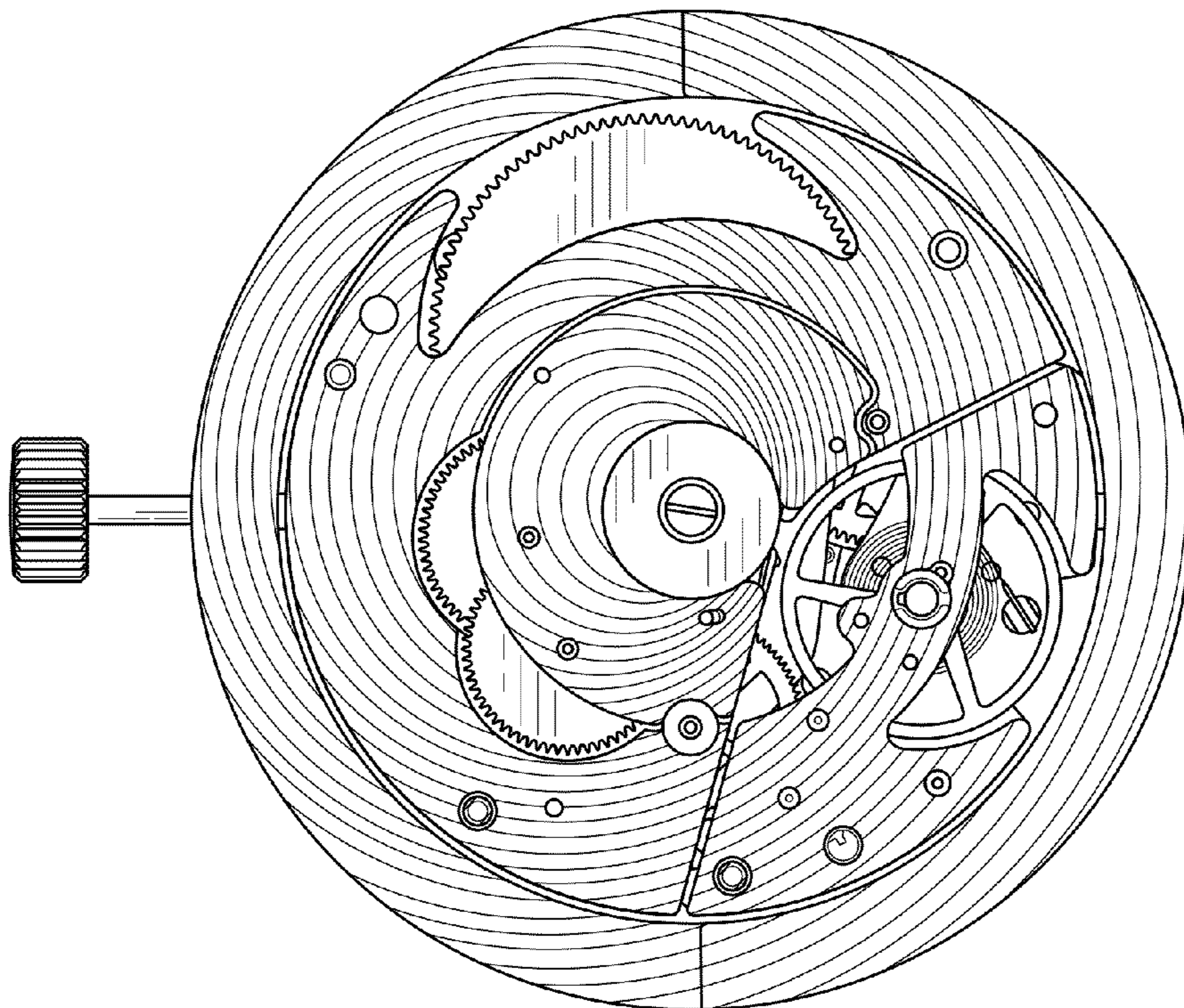


FIG. 4

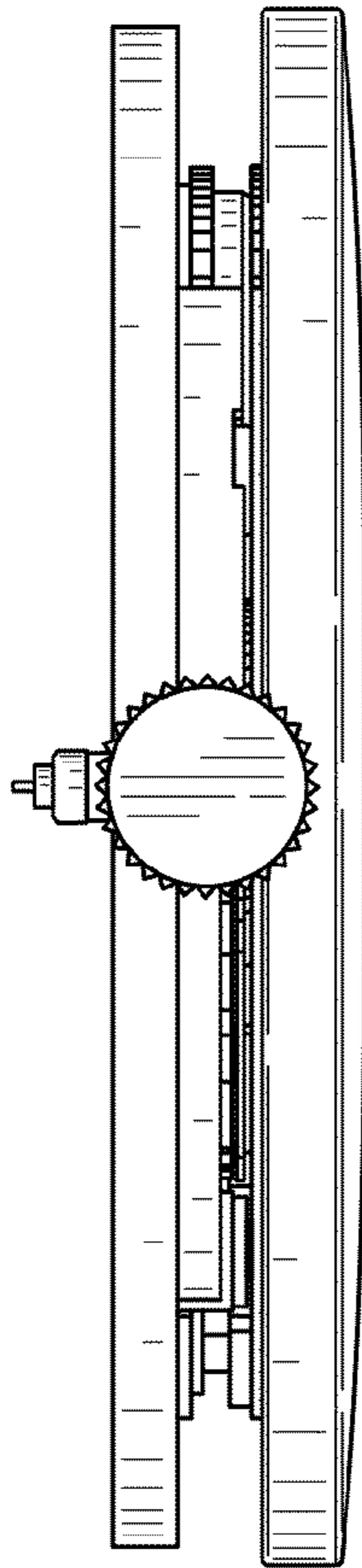


FIG. 5

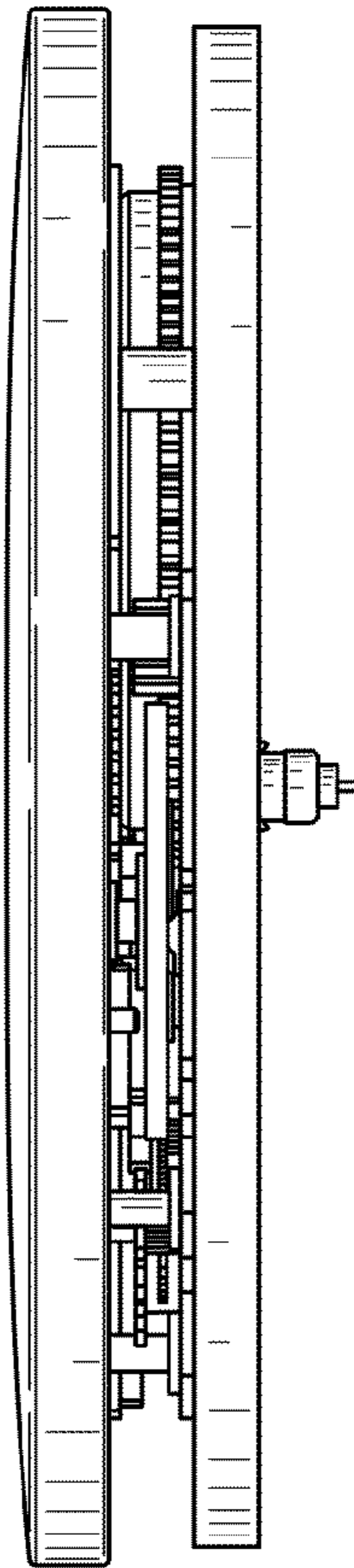


FIG. 6

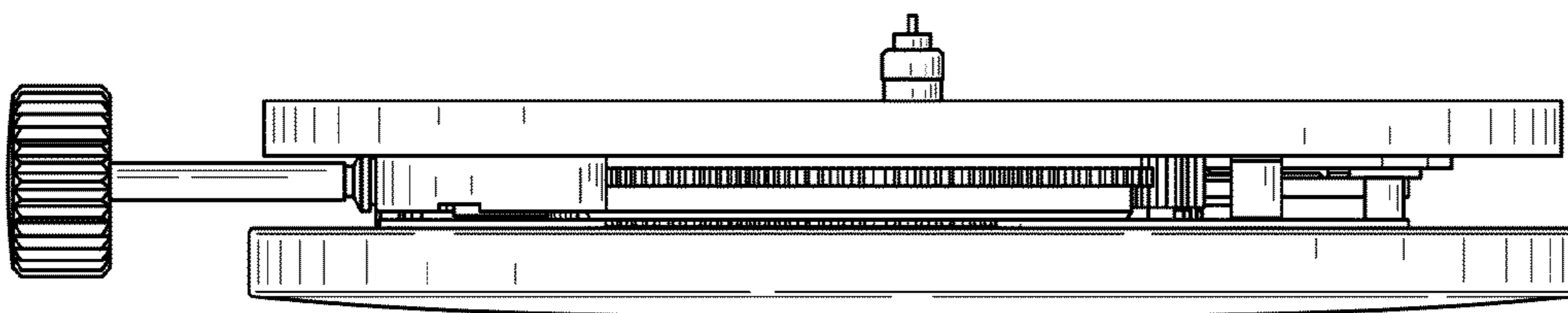


FIG. 7

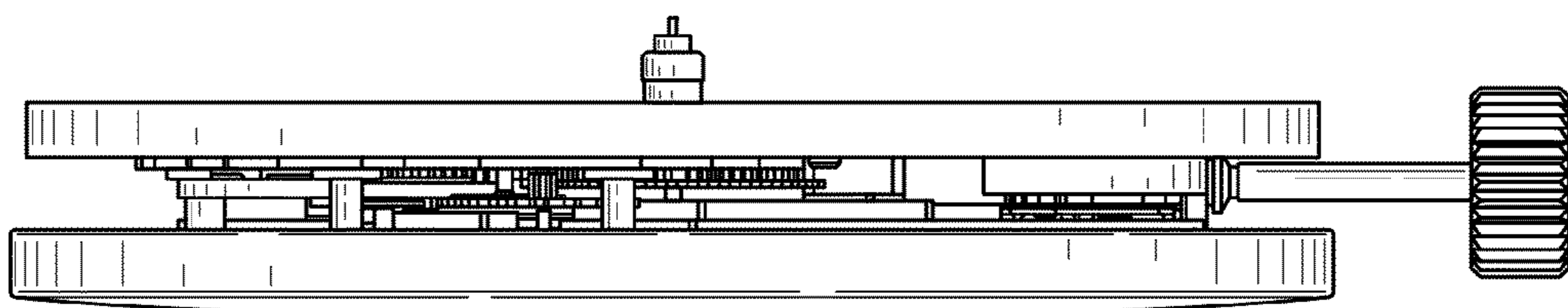


FIG. 8