



US00D739286S

(12) **United States Design Patent**
Fazio

(10) **Patent No.:** **US D739,286 S**

(45) **Date of Patent:** **** Sep. 22, 2015**

(54) **WATCH MOVEMENT**

(71) Applicant: **SWATCH LTD**, Biel/Bienne (CH)

(72) Inventor: **Antonio Fazio**, Lausanne (CH)

(73) Assignee: **SWATCH LTD**, Beil/Bienne (CH)

(**) Term: **14 Years**

(21) Appl. No.: **29/469,909**

(22) Filed: **Oct. 16, 2013**

(30) **Foreign Application Priority Data**

Apr. 16, 2013 (WO) DM/080 635

Apr. 16, 2013 (WO) DM/080 666

(51) **LOC (10) Cl.** **10-07**

(52) **U.S. Cl.**
USPC **D10/129; D10/131**

(58) **Field of Classification Search**
USPC D10/30-39, 1-29, 122-132
CPC G04B 5/00; G04B 5/02; G04B 5/04;
G04B 5/10; G04B 5/12; G04B 5/14; G04B
5/18; G04B 29/04; G04B 33/00; G04B
17/0058; G04B 19/00; G04B 19/247; G04C
3/00; G04C 17/005

See application file for complete search history.

(56) **References Cited**

U.S. PATENT DOCUMENTS

1,199,256	A *	9/1916	Farr	368/286
3,306,025	A *	2/1967	Kocher	368/148
3,846,973	A *	11/1974	Kurita	368/148
3,901,019	A *	8/1975	Kocher et al.	368/148
D250,179	S *	11/1978	Vallandigham et al.	D10/129
4,247,926	A *	1/1981	Bachmann	368/28
D311,879	S *	11/1990	Tanaka	D10/129
D317,729	S *	6/1991	Tanaka	D10/129

D319,602	S *	9/1991	Tanaka	D10/129
5,119,348	A *	6/1992	Mathys	368/151
D336,865	S *	6/1993	Besson	D10/129
5,867,454	A *	2/1999	Takahashi et al.	368/148
6,244,742	B1 *	6/2001	Yamada et al.	368/148
D611,841	S *	3/2010	Hatem	D10/32
D611,866	S *	3/2010	Dias	D10/129
D667,318	S *	9/2012	Jamin	D10/39
D667,319	S *	9/2012	Jamin	D10/39
2008/0074952	A1 *	3/2008	Racine et al.	368/38
2011/0149697	A1 *	6/2011	Born et al.	368/208

OTHER PUBLICATIONS

U.S. Appl. No. 29/469,910, filed Oct. 16, 2013 inventor Antonio Fazio.

U.S. Appl. No. 29/469,955, filed Oct. 16, 2013 inventor Antonio Fazio.

U.S. Appl. No. 29/469,958, filed Oct. 16, 2013 inventors Antonio Fazio et al.

* cited by examiner

Primary Examiner — Martie K Holtje

(74) *Attorney, Agent, or Firm* — Donald J. Ranft; Kristen A. Mogavero; Collen IP

(57) **CLAIM**

The ornamental design for a watch movement, as shown.

DESCRIPTION

FIG. 1 is a front right perspective view of a watch movement showing my new design;

FIG. 2 is a rear perspective view thereof;

FIG. 3 is a front view thereof;

FIG. 4 is a rear view thereof;

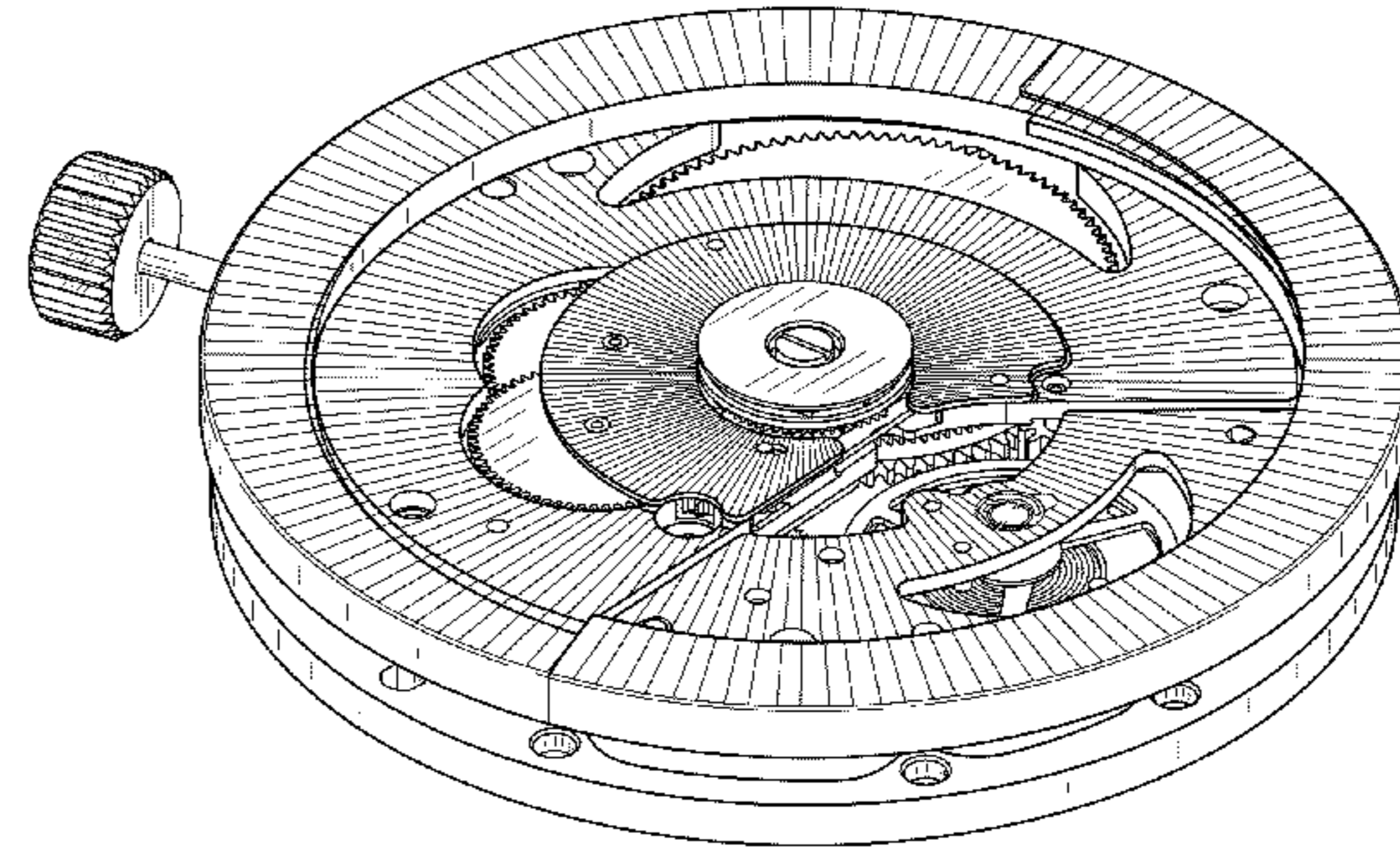
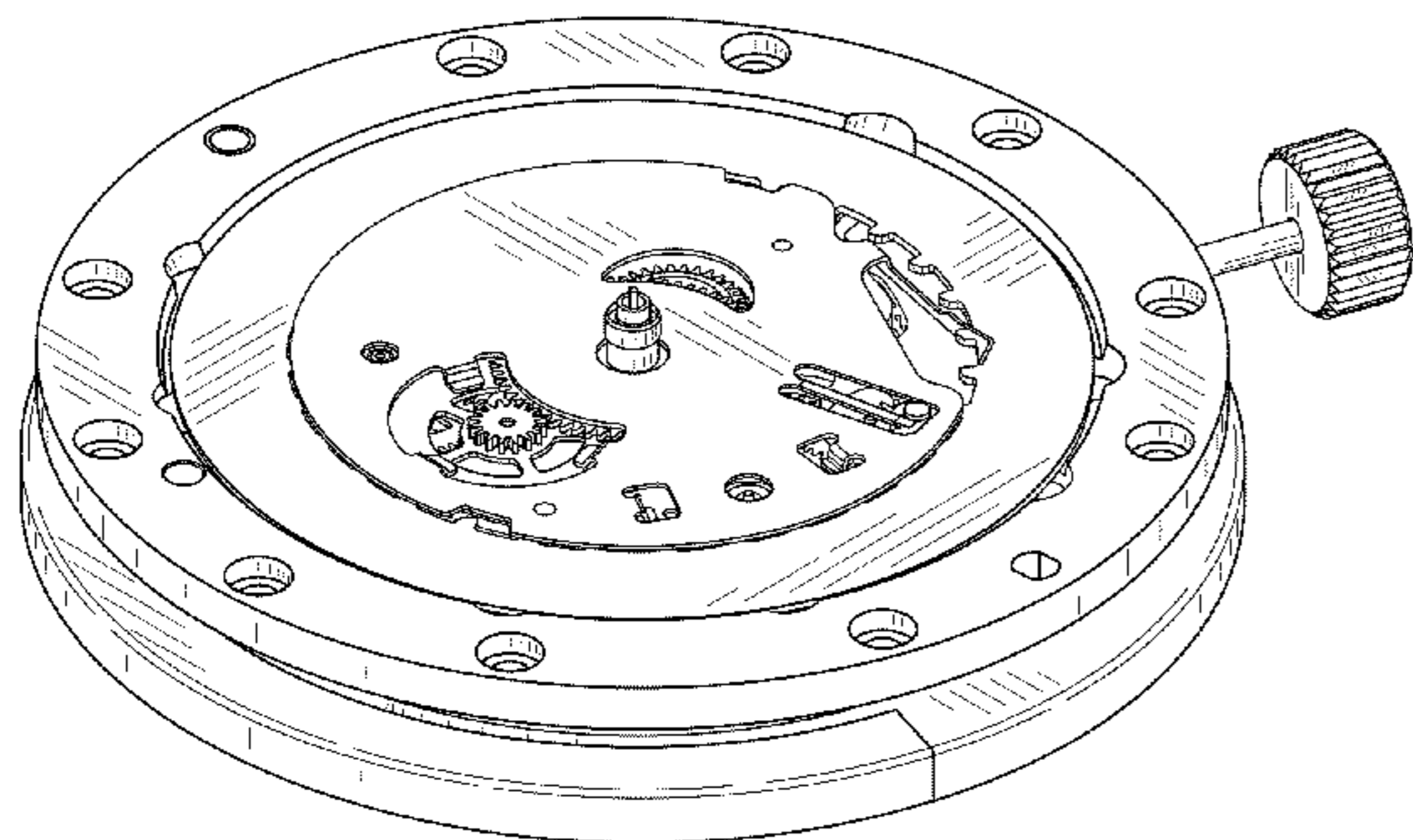
FIG. 5 is a right side view thereof;

FIG. 6 is a left side view thereof;

FIG. 7 is a top view thereof; and,

FIG. 8 is a bottom view.

1 Claim, 4 Drawing Sheets



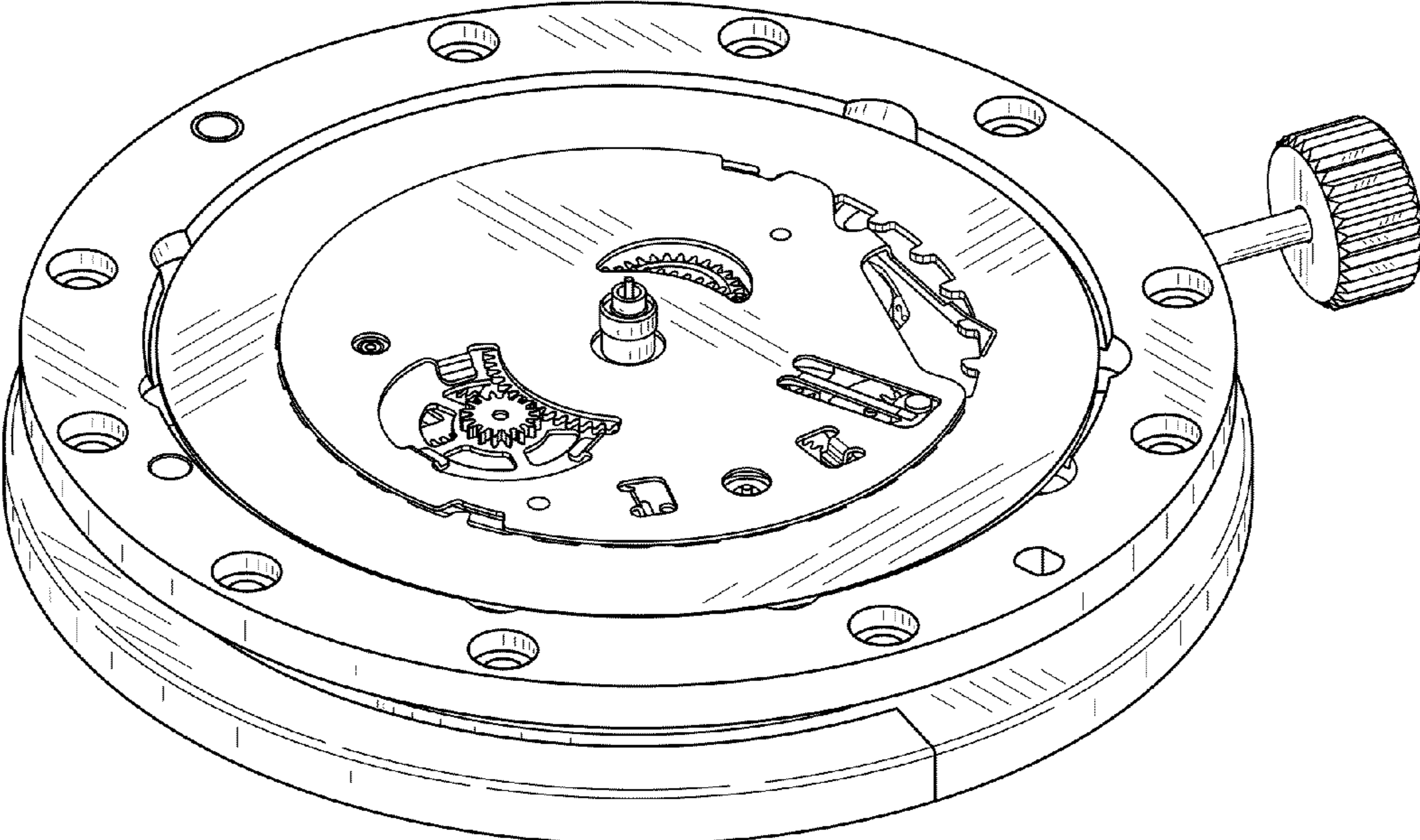


FIG. 1

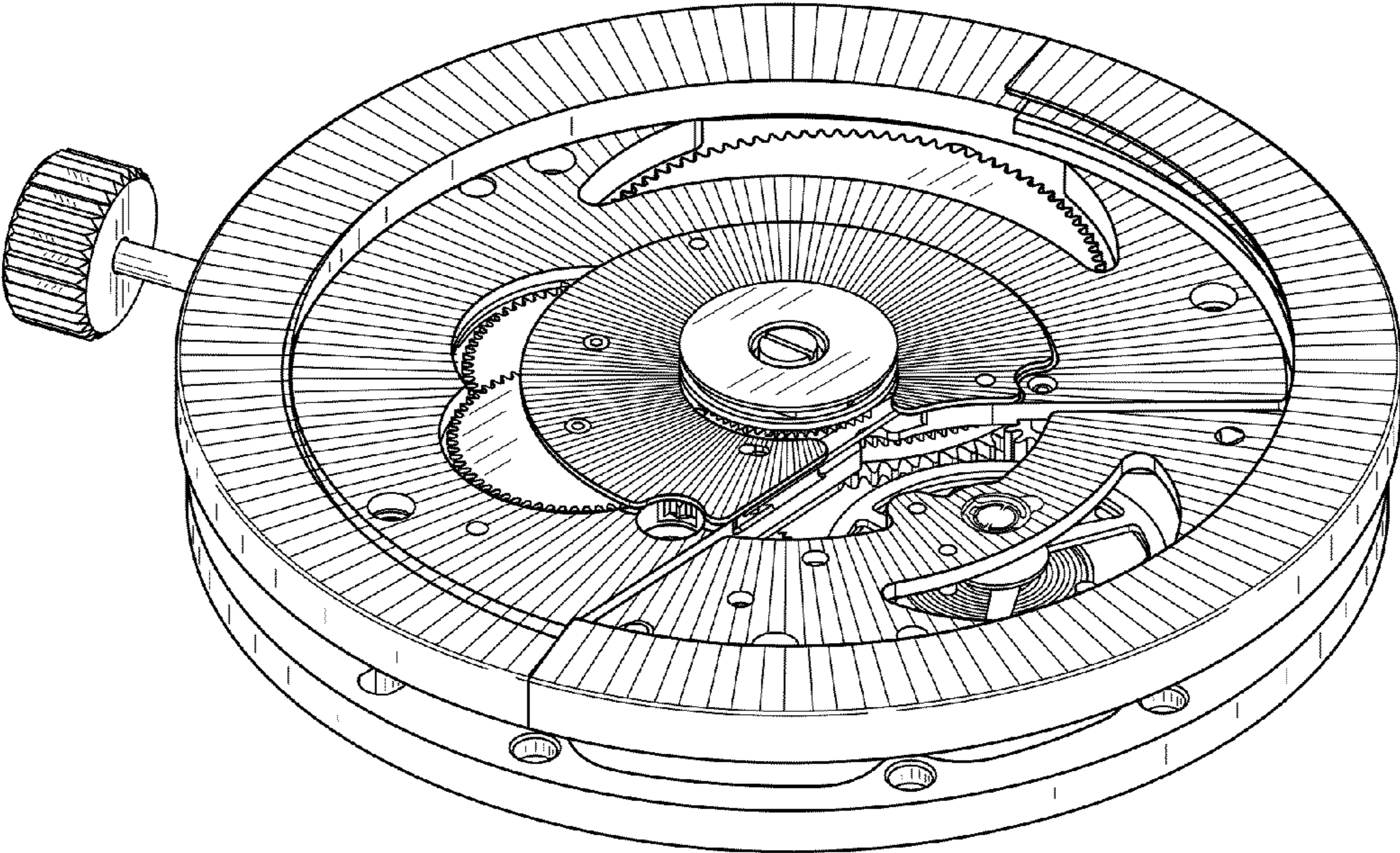


FIG. 2

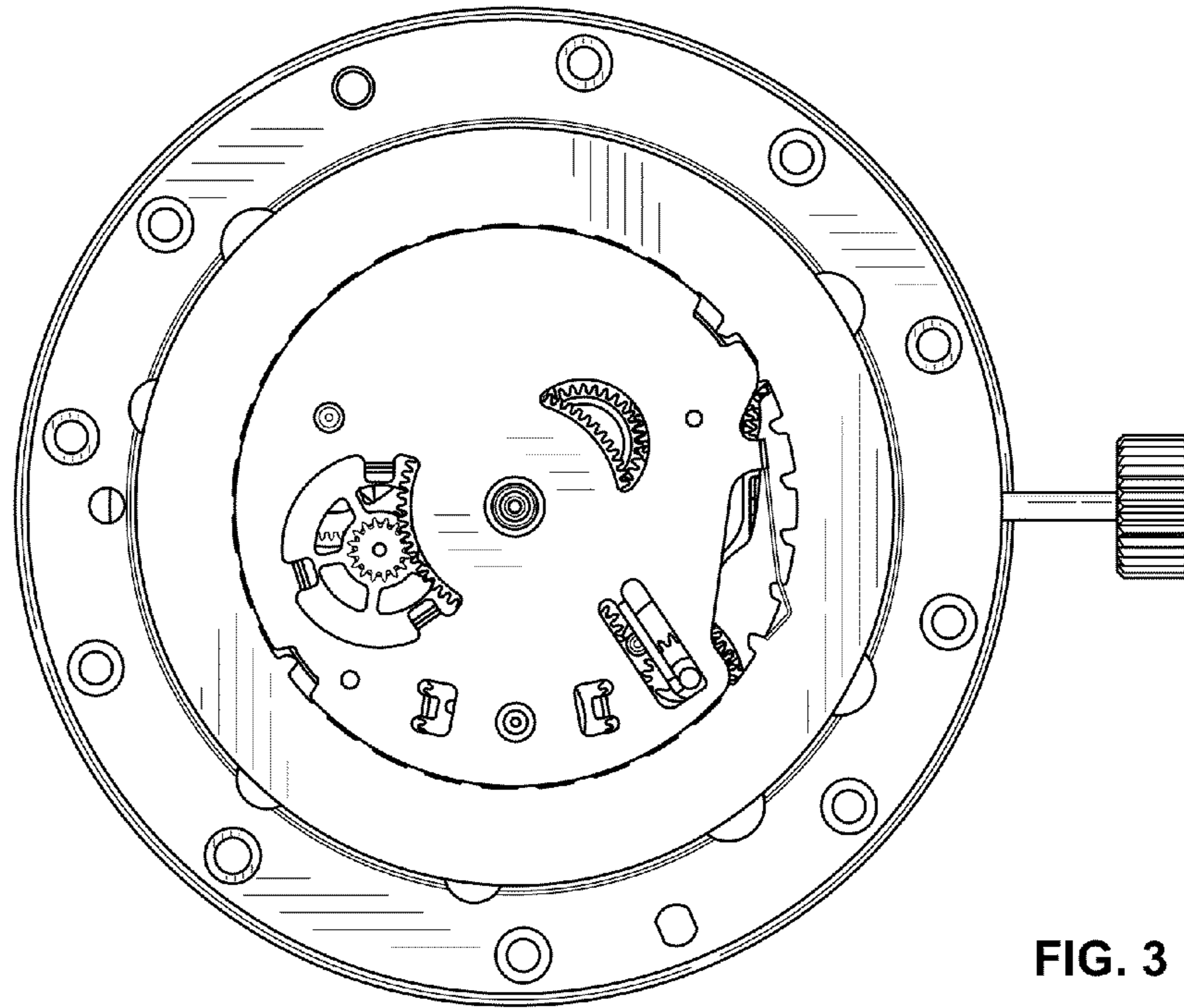


FIG. 3

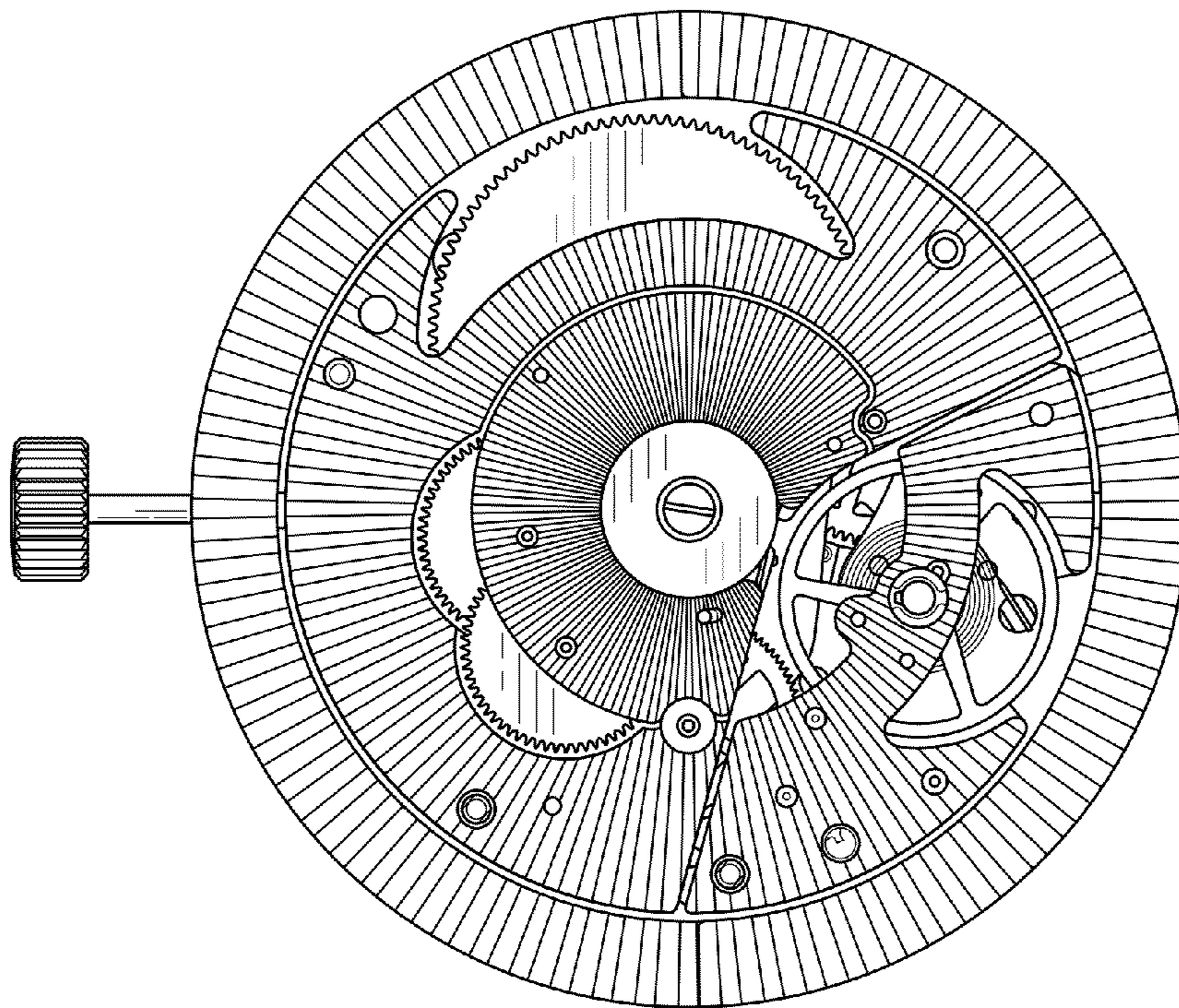


FIG. 4

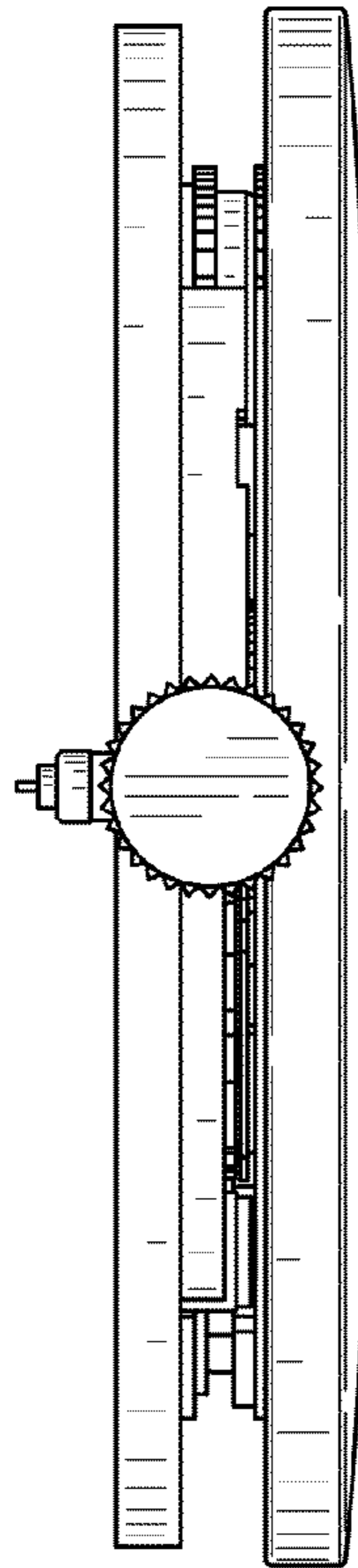


FIG. 5

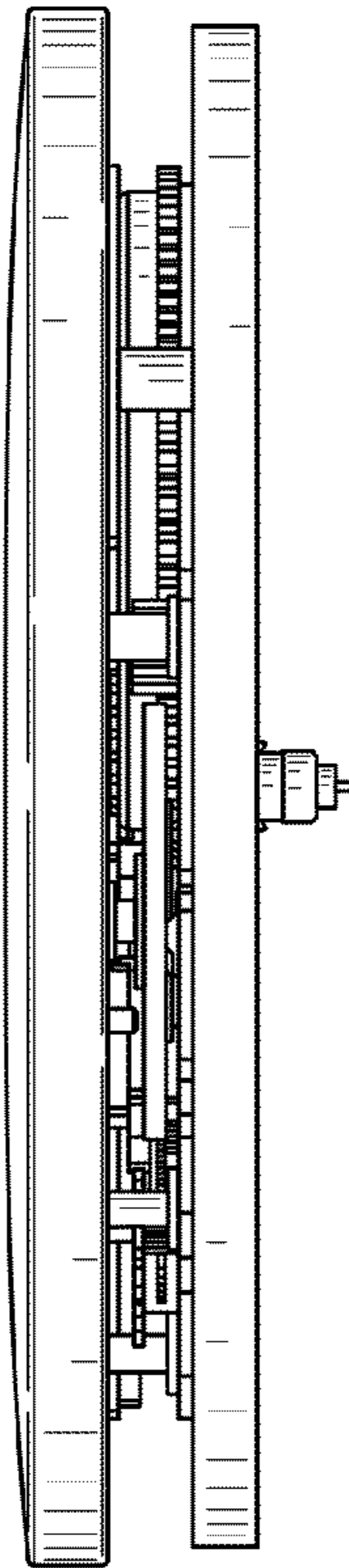


FIG. 6

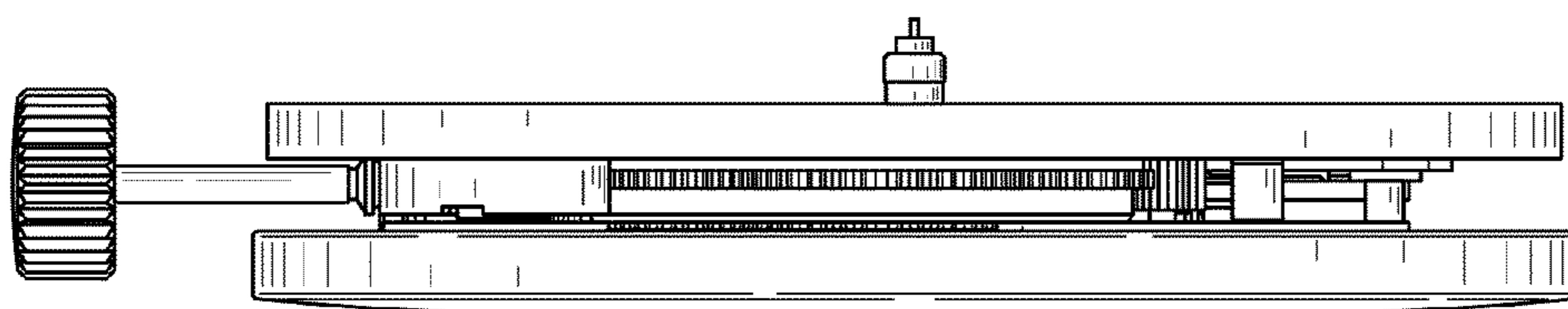


FIG. 7

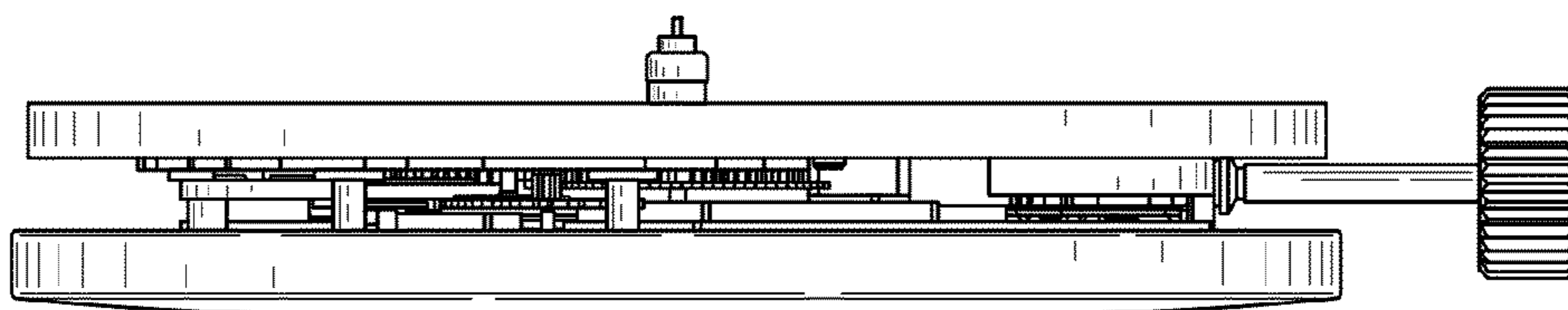


FIG. 8