



US00D739285S

(12) **United States Design Patent**  
**Yu**

(10) **Patent No.:** **US D739,285 S**  
(45) **Date of Patent:** **\*\* Sep. 22, 2015**

(54) **SIREN SWITCH**

D587,690 S \* 3/2009 Onodera ..... D14/225  
D699,613 S \* 2/2014 Ke ..... D10/106.95  
D720,727 S \* 1/2015 Yu ..... D14/225

(71) Applicant: **Ningbo Yinzhou Self Photoelectron Technology Co., Ltd.**, Ningbo, Zhejiang (CN)

\* cited by examiner

(72) Inventor: **Feng Yu**, Zhejiang (CN)

*Primary Examiner* — George D Kirschbaum

(73) Assignee: **NINGBO YINZHOU SELF PHOTOELECTRON TECHNOLOGY CO., LTD.**, Ningbo (CN)

(57) **CLAIM**

The ornamental design for a siren switch, as shown and described.

(\*\*) Term: **14 Years**

(21) Appl. No.: **29/458,813**

(22) Filed: **Jun. 24, 2013**

**DESCRIPTION**

(30) **Foreign Application Priority Data**

Feb. 1, 2013 (CN) ..... 2013 3 0032685

(51) **LOC (10) Cl.** ..... **10-05**

(52) **U.S. Cl.**  
USPC ..... **D10/106.95**

(58) **Field of Classification Search**  
USPC ..... D10/104.1, 106.95; D14/255  
CPC ..... G08B 1/00  
See application file for complete search history.

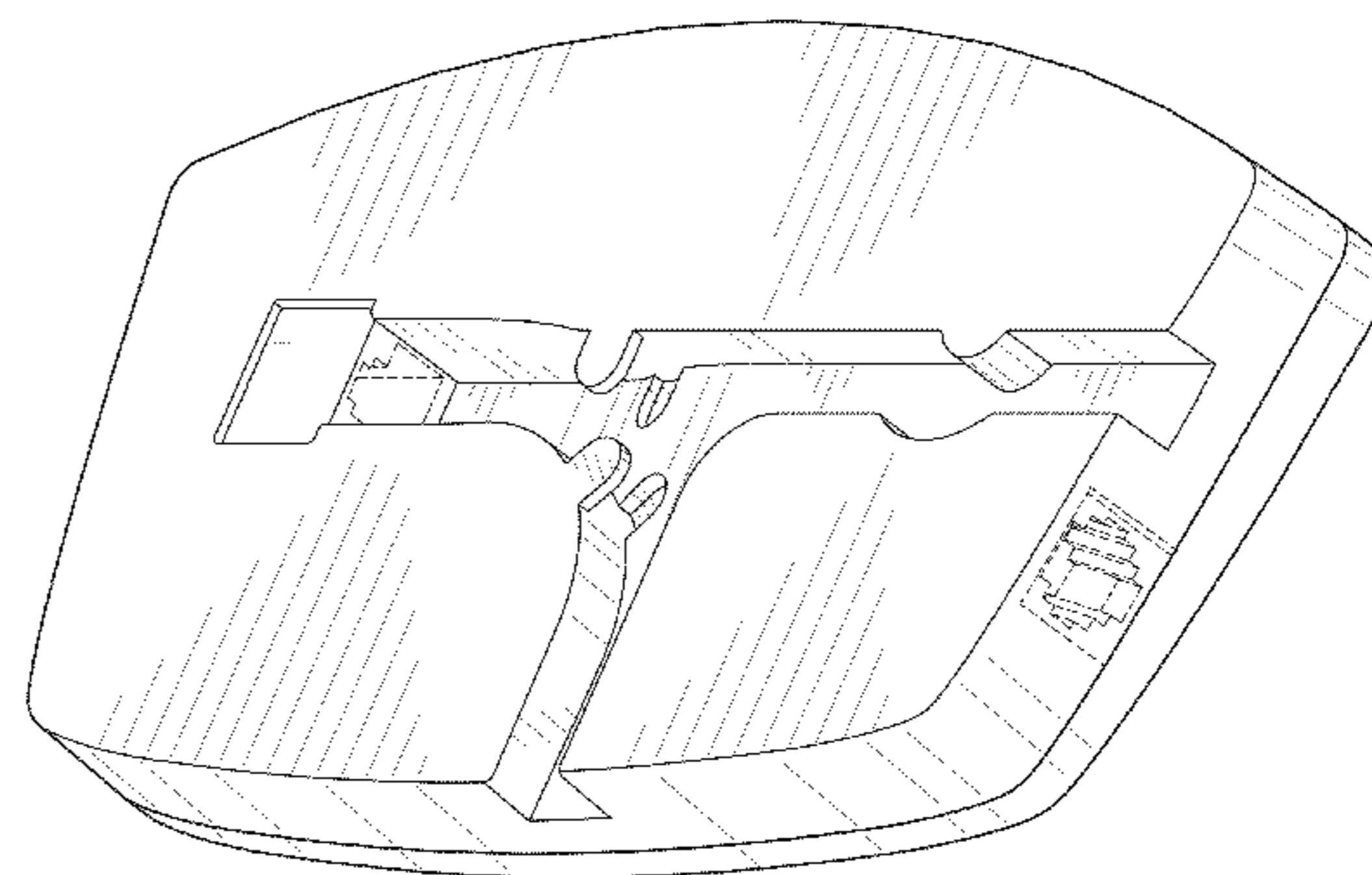
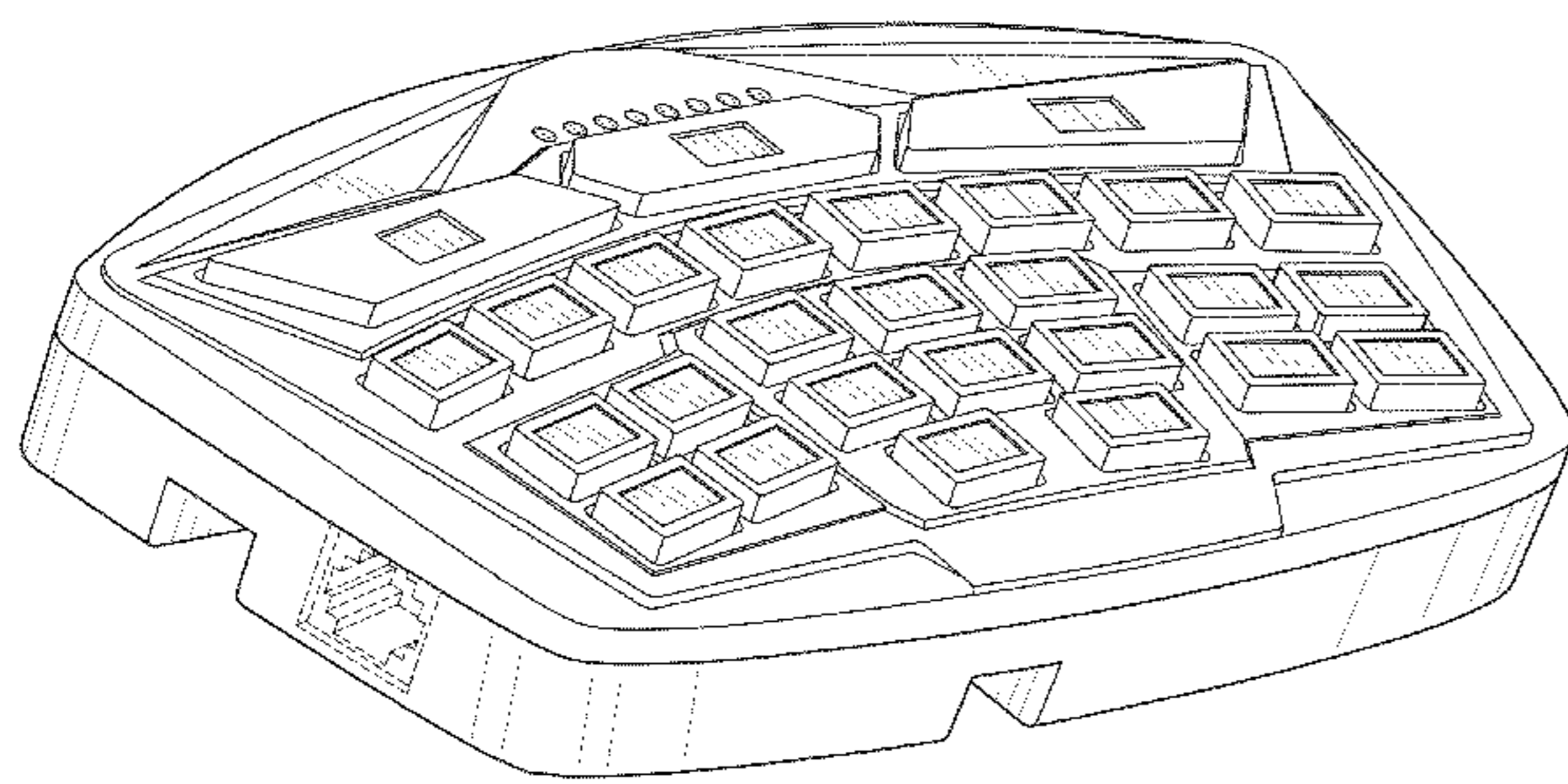
FIG. 1 is a front perspective view of a siren switch of my new design;  
FIG. 2 is a front view of the siren switch thereof;  
FIG. 3 is a rear view of the siren switch thereof;  
FIG. 4 is a left view of the siren switch thereof;  
FIG. 5 is a right side view of the siren switch thereof;  
FIG. 6 is a top side view of the siren switch thereof;  
FIG. 7 is a bottom view of the siren switch thereof; and,  
FIG. 8 is a rear perspective view of the siren switch thereof.  
The broken line showing of connection ports is included for the purpose of illustrating portions of the “article” and forms no part of the claimed design.

(56) **References Cited**

**U.S. PATENT DOCUMENTS**

D389,762 S \* 1/1998 Yorkey ..... D10/104.1  
D417,163 S \* 11/1999 Benoit ..... D10/104.1

**1 Claim, 6 Drawing Sheets**



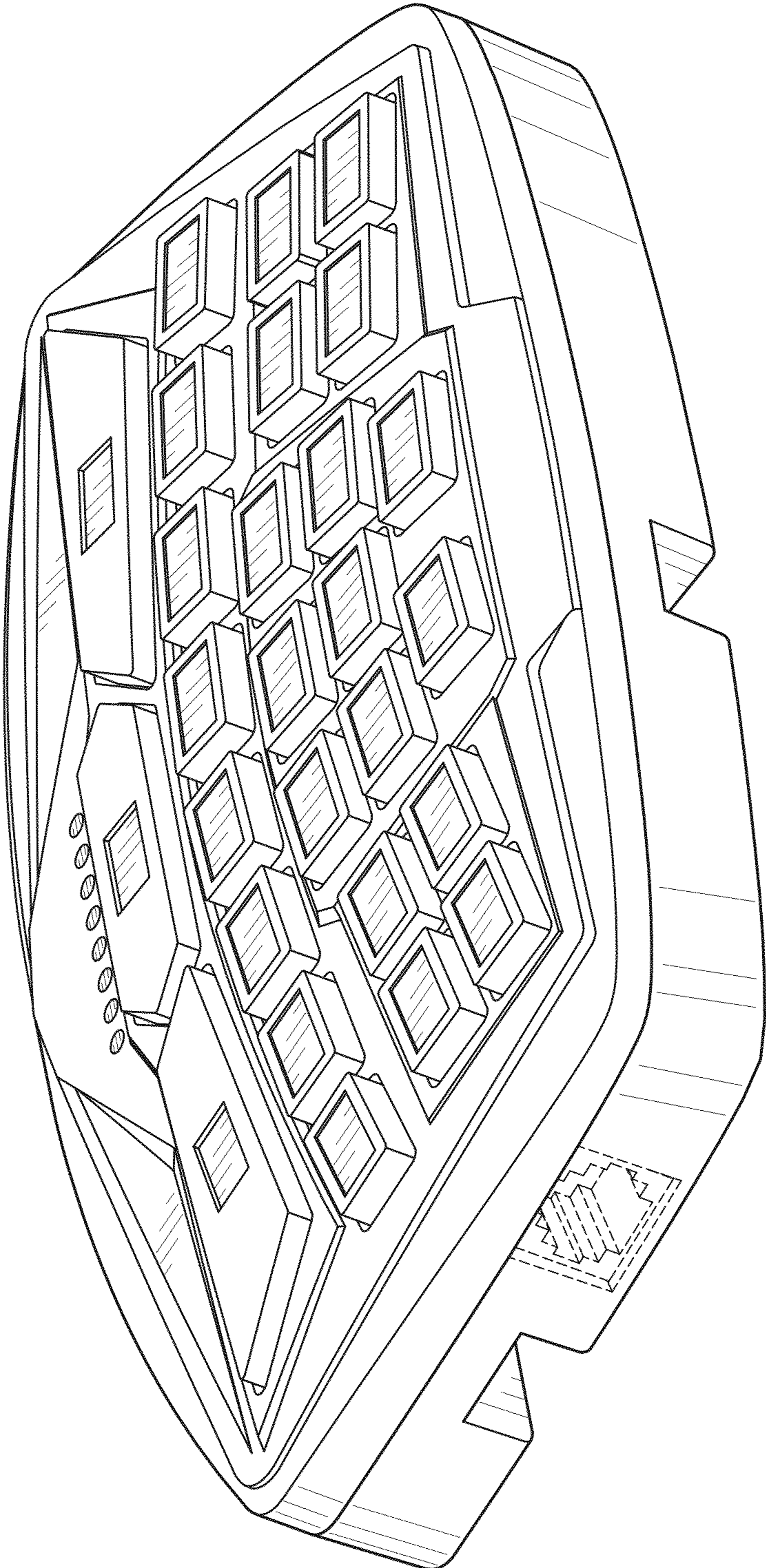


FIG. 1

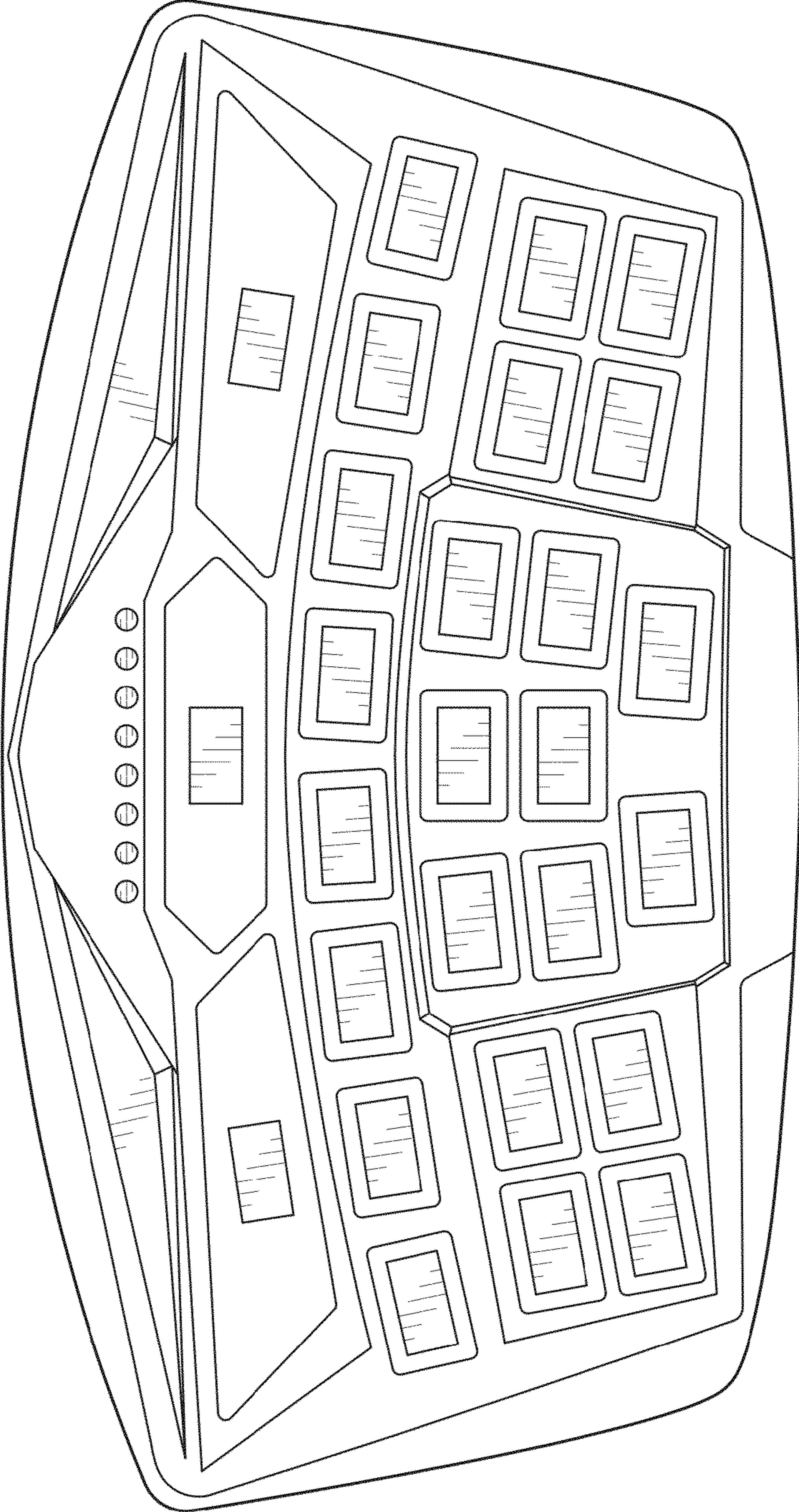


FIG. 2

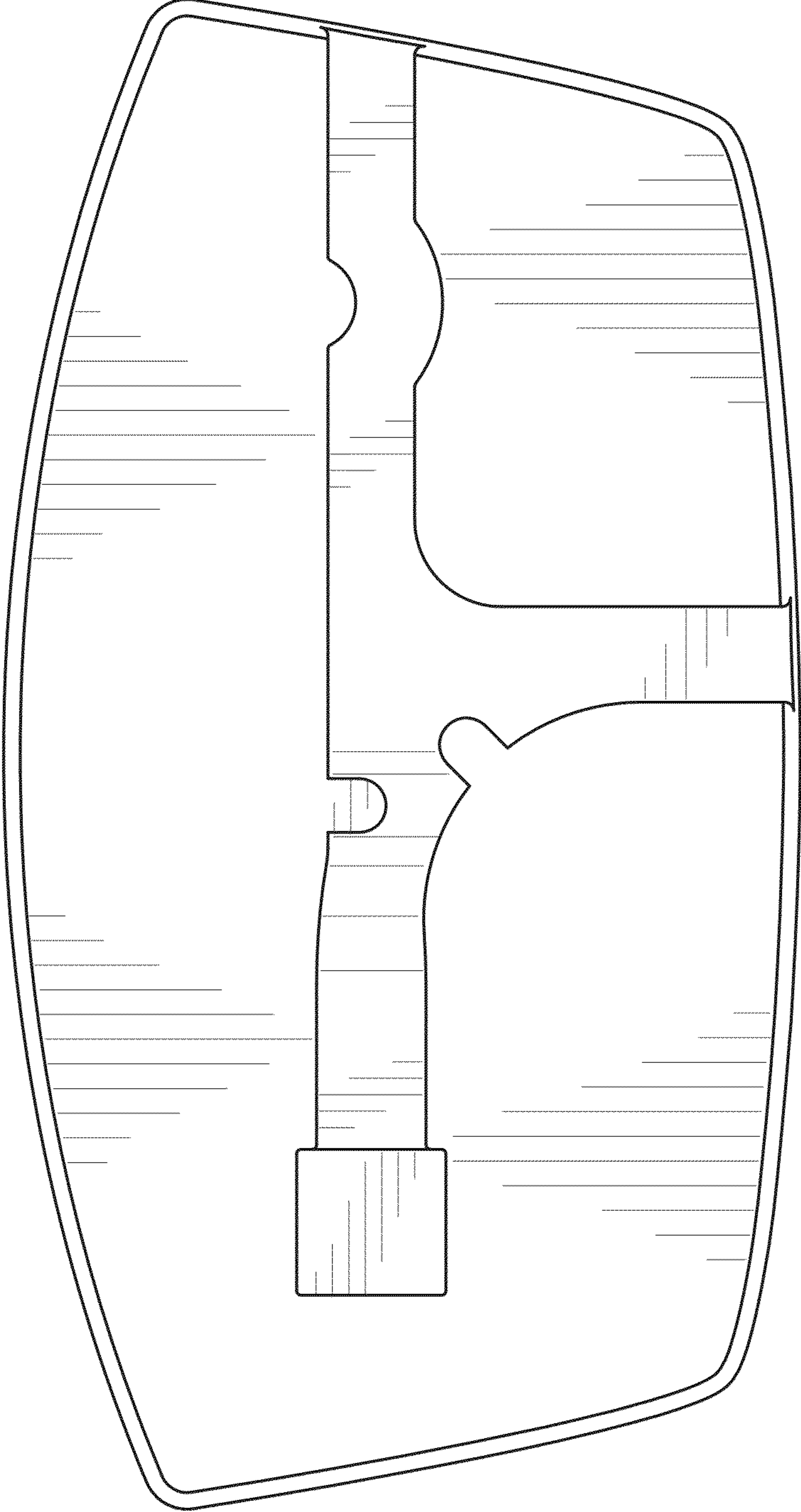


FIG. 3

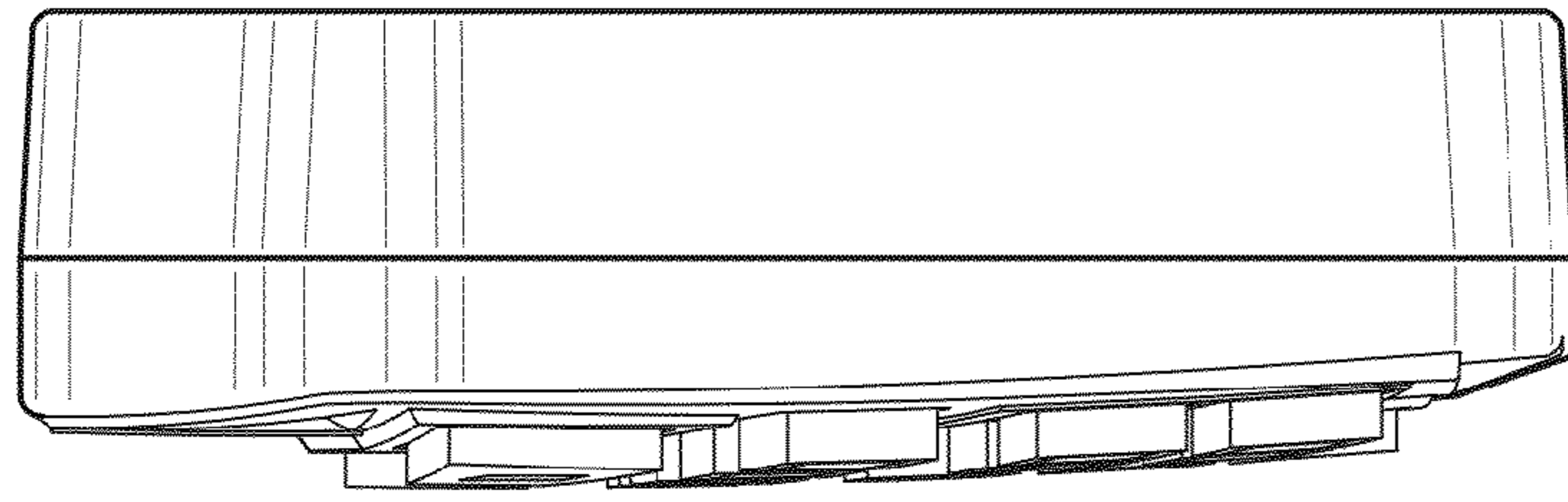


FIG. 5

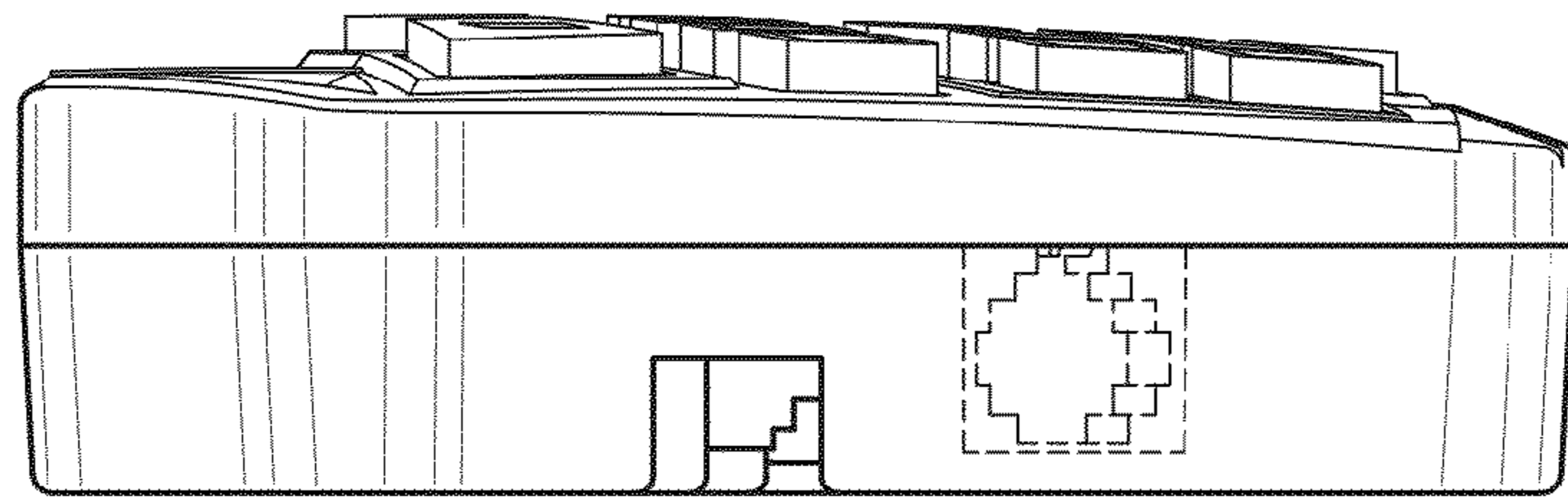


FIG. 4

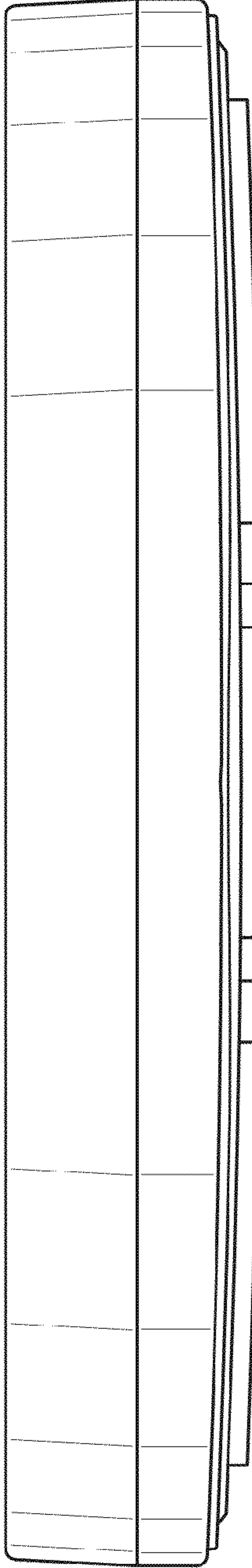


FIG. 6

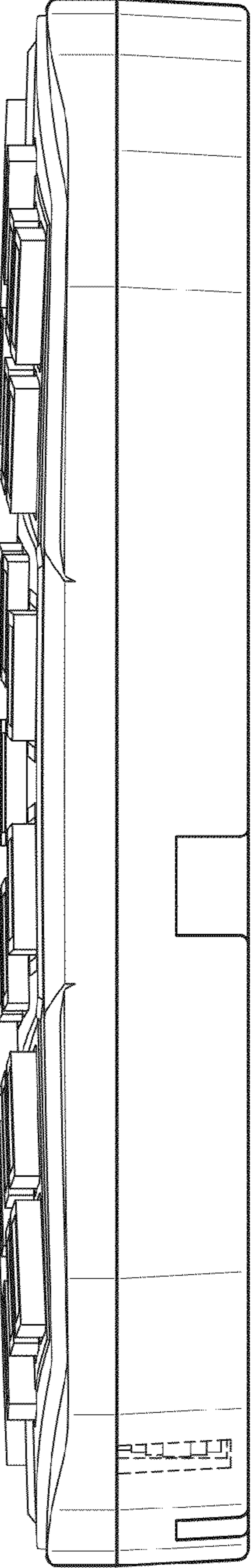


FIG. 7

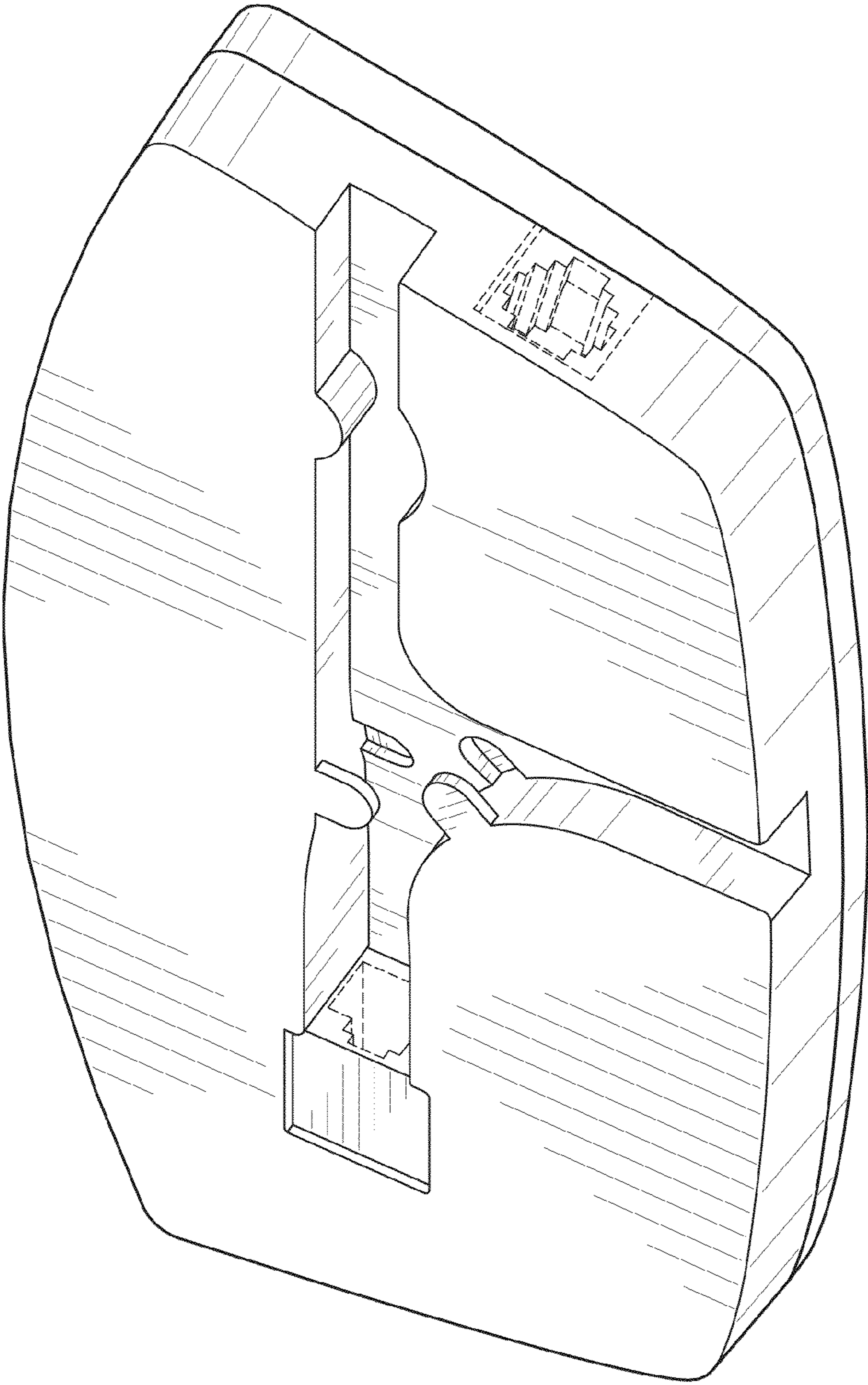


FIG. 8