



US00D739279S

(12) **United States Design Patent**  
**Payne**

(10) **Patent No.:** **US D739,279 S**

(45) **Date of Patent:** **\*\* Sep. 22, 2015**

(54) **TESTER**

D512,333 S \* 12/2005 Blacken et al. .... D10/78  
D698,673 S \* 2/2014 Igelmund ..... D10/78

(71) Applicant: **Southwire Company, LLC**, Carrollton, GA (US)

\* cited by examiner

(72) Inventor: **John Lawrence Payne**, Newnan, GA (US)

*Primary Examiner* — Antoine D Davis

(74) *Attorney, Agent, or Firm* — Hartman & Citrin LLC

(73) Assignee: **Southwire Company, LLC**, Carrollton, GA (US)

(\*\*) Term: **14 Years**

(57) **CLAIM**

The ornamental design for a tester, as shown and described.

(21) Appl. No.: **29/504,896**

(22) Filed: **Oct. 10, 2014**

**DESCRIPTION**

(51) **LOC (10) Cl.** ..... **10-04**

(52) **U.S. Cl.**  
USPC ..... **D10/78**

(58) **Field of Classification Search**  
USPC ..... D10/46, 75–80  
CPC ..... G01P 1/02–1/127; G01B 19/041–19/048;  
G06F 1/1626; G06F 1/1613; G01R  
29/00–29/26; G01R 31/02–31/31937; H01R  
2201/04; H01R 2201/06; H01R 2201/16;  
H01R 2201/20; H04M 1/24  
See application file for complete search history.

FIG. 1 is a perspective view of an embodiment of a tester according to my design;  
FIG. 2 is another perspective view thereof;  
FIG. 3 is a front view thereof;  
FIG. 4 is a rear view thereof;  
FIG. 5 is a side view thereof;  
FIG. 6 is a side view thereof;  
FIG. 7 is a top view thereof; and,  
FIG. 8 is a bottom view thereof.

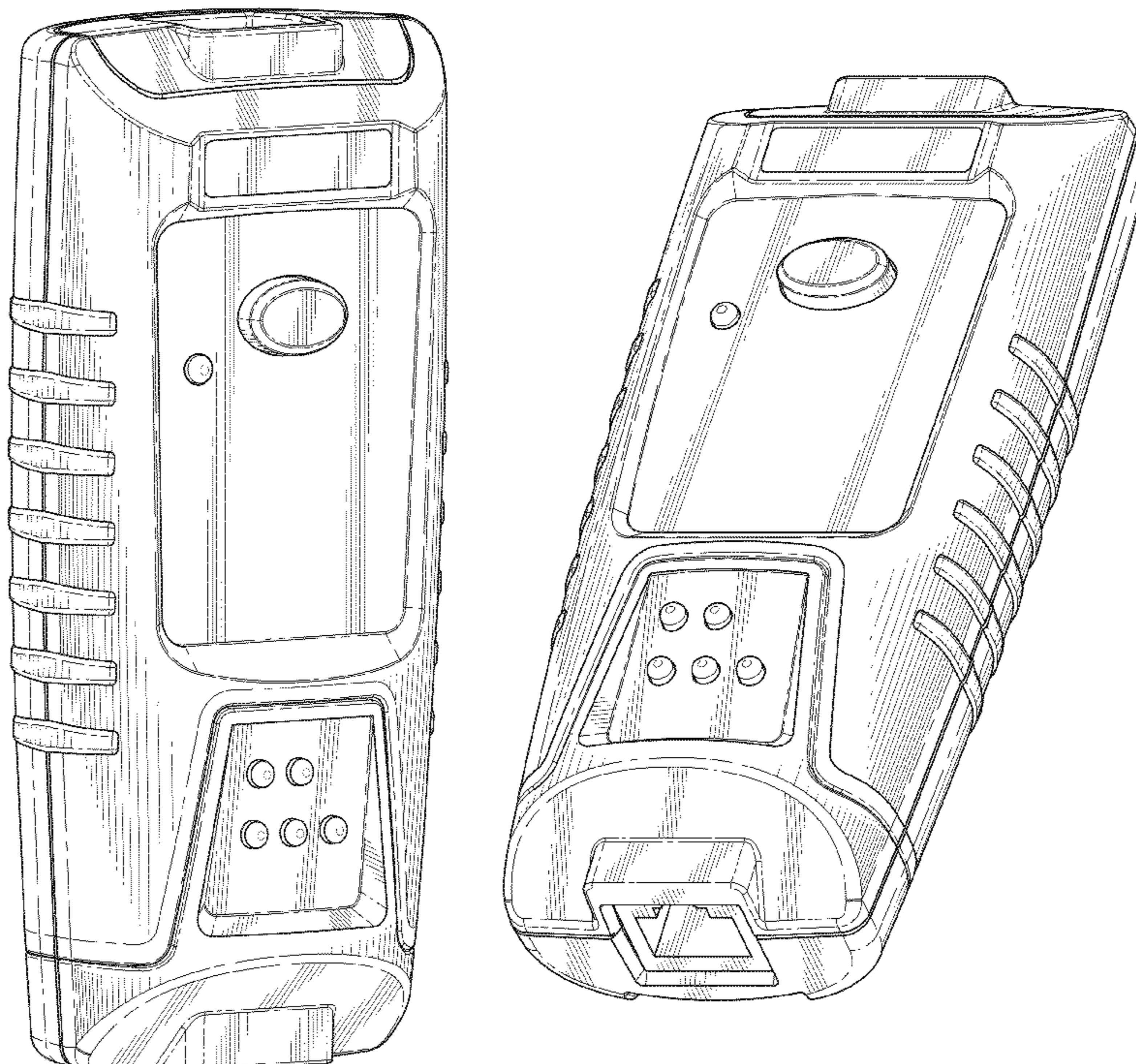
Broken lines having repeated short dashes in the Figures are for illustrative purposes only and form no part of the claimed design. Shade lines having a combination of long and short lines in the Figures show contour and not surface ornamentation.

(56) **References Cited**

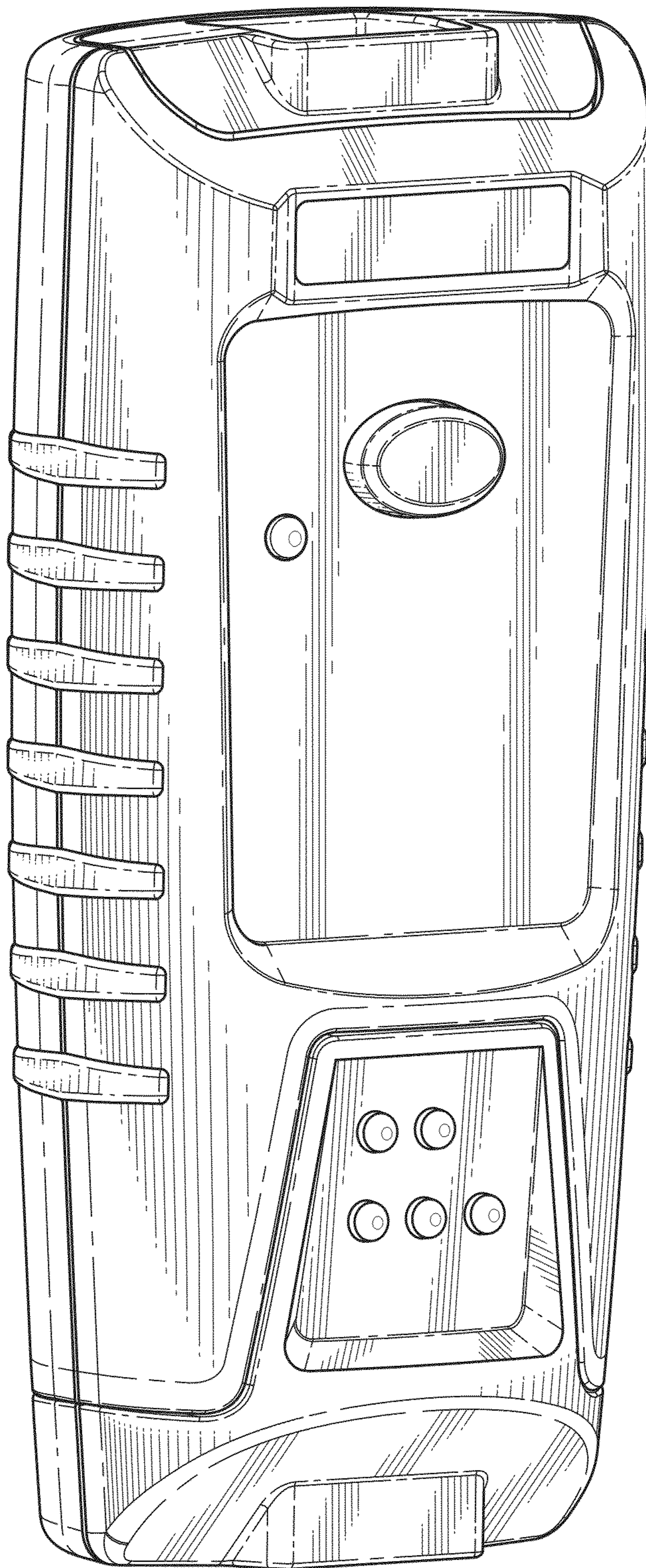
**U.S. PATENT DOCUMENTS**

D364,105 S \* 11/1995 Omuro et al. .... D10/78  
6,611,147 B2 \* 8/2003 White et al. .... 324/539

**1 Claim, 6 Drawing Sheets**

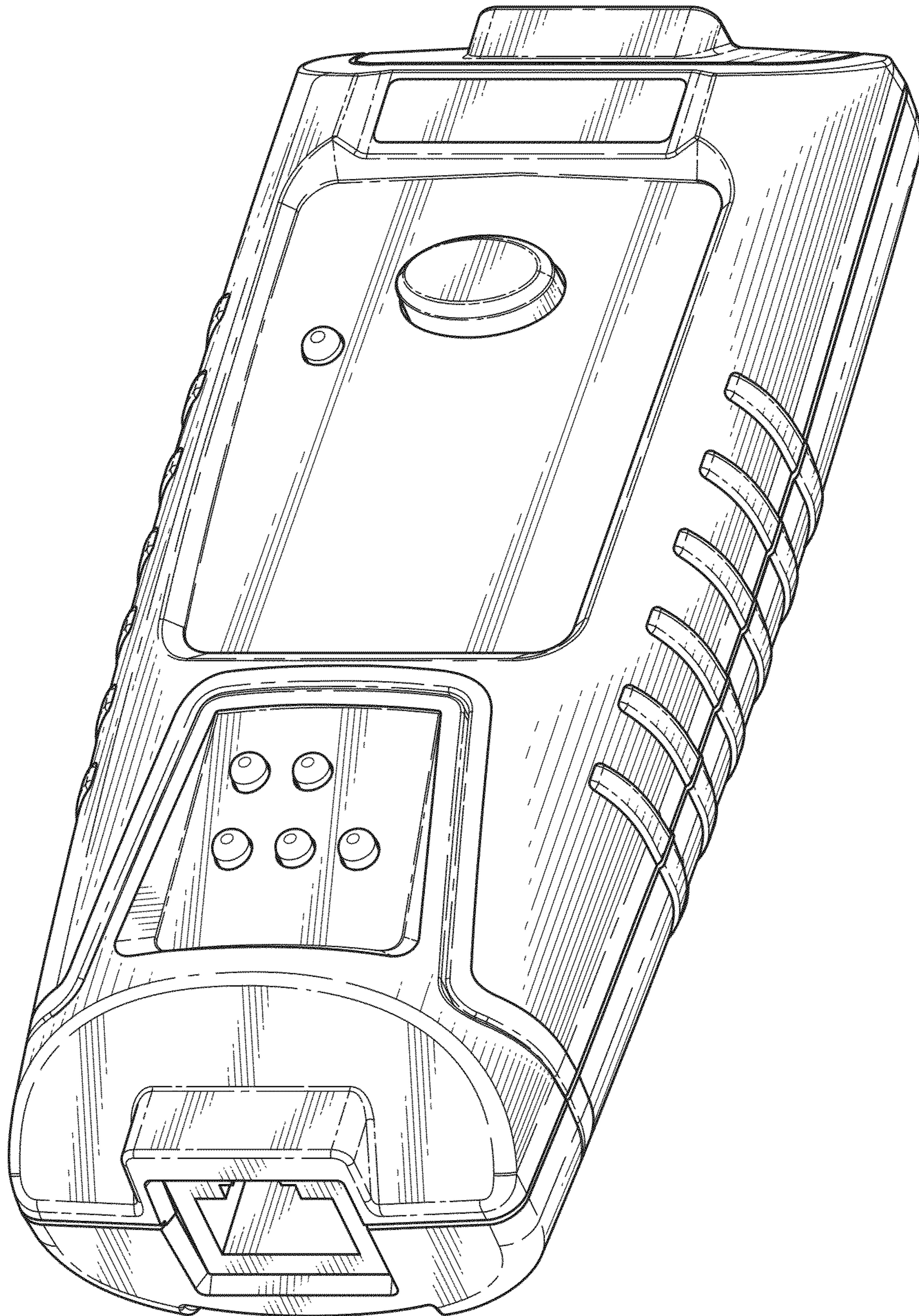




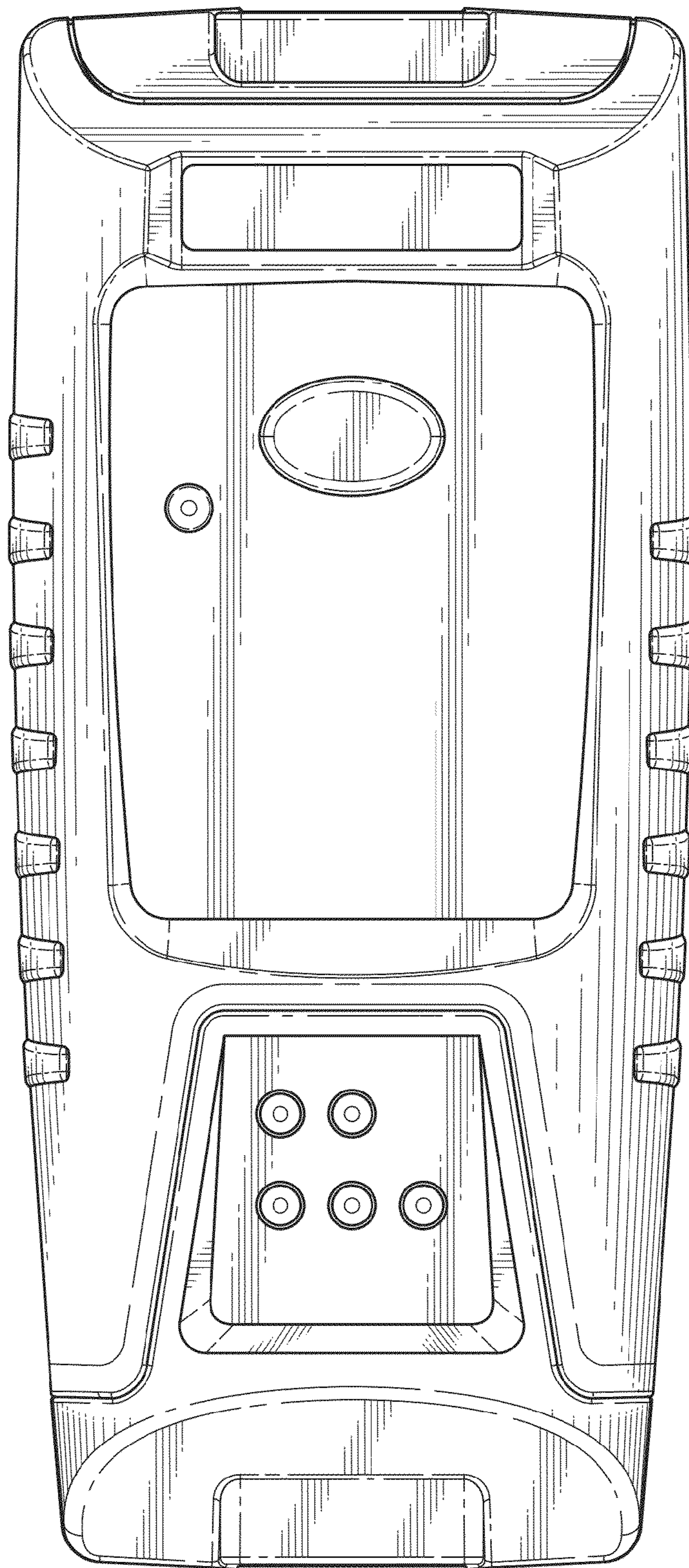


*Figure 1*



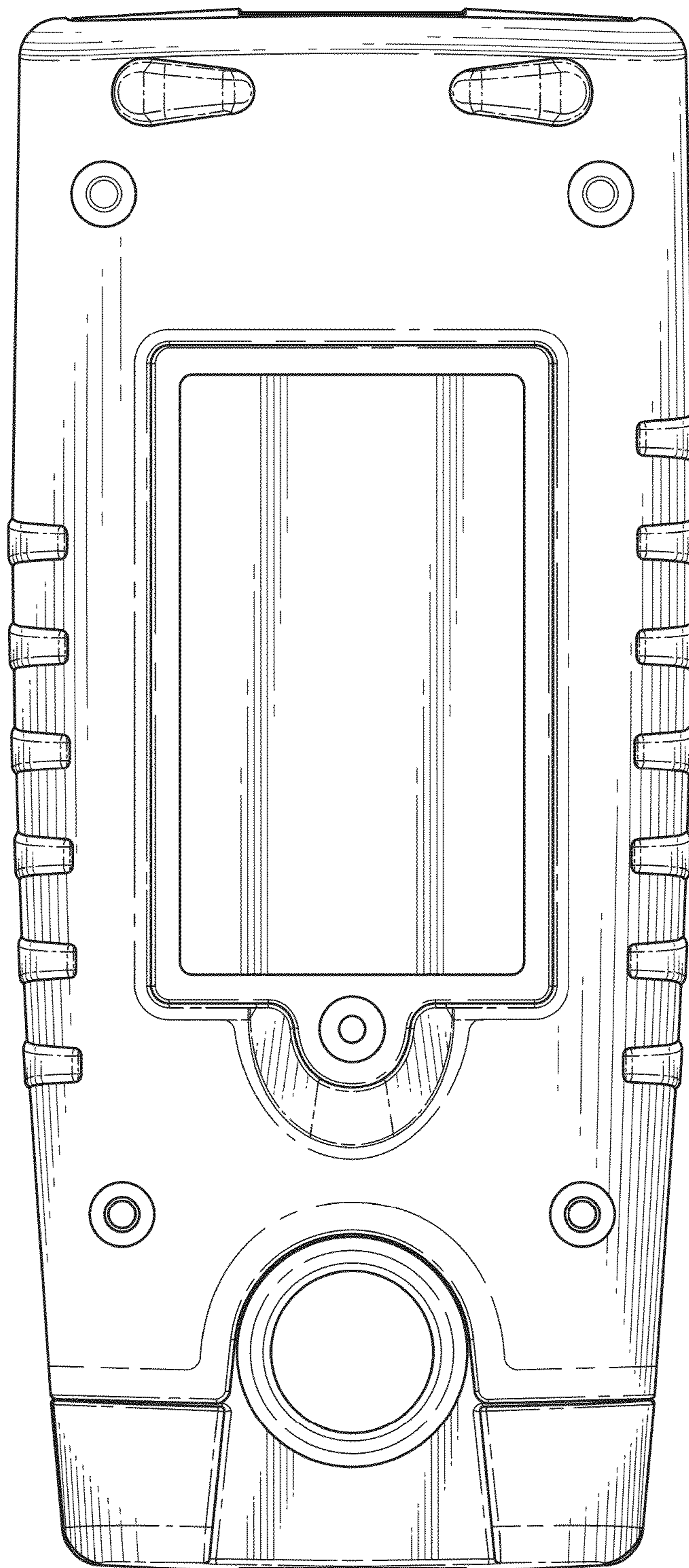


*Figure 2*



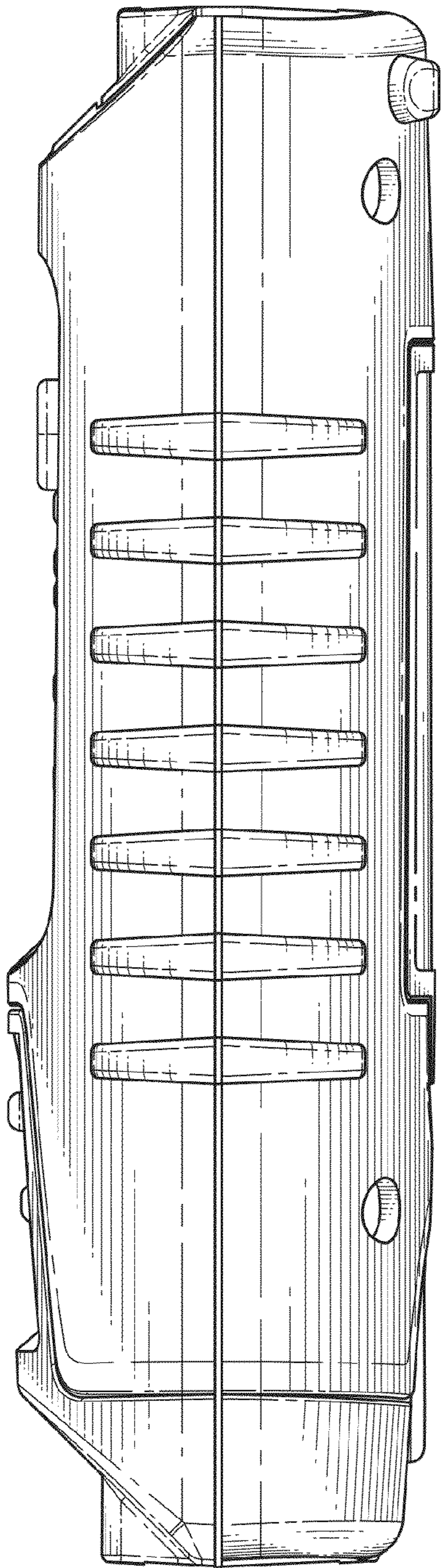
*Figure 3*



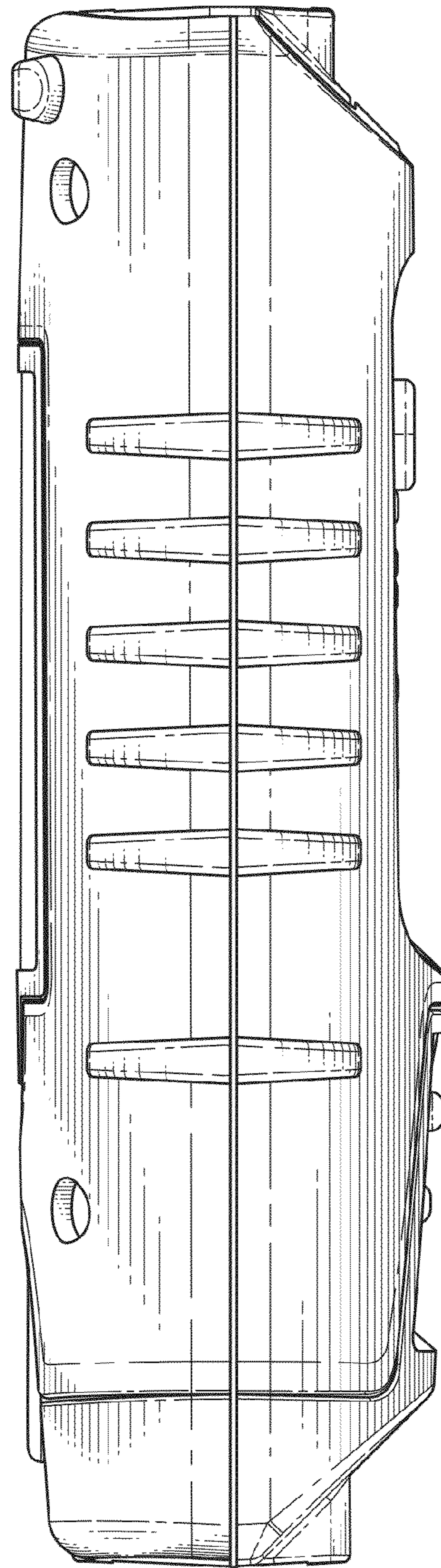


*Figure 4*

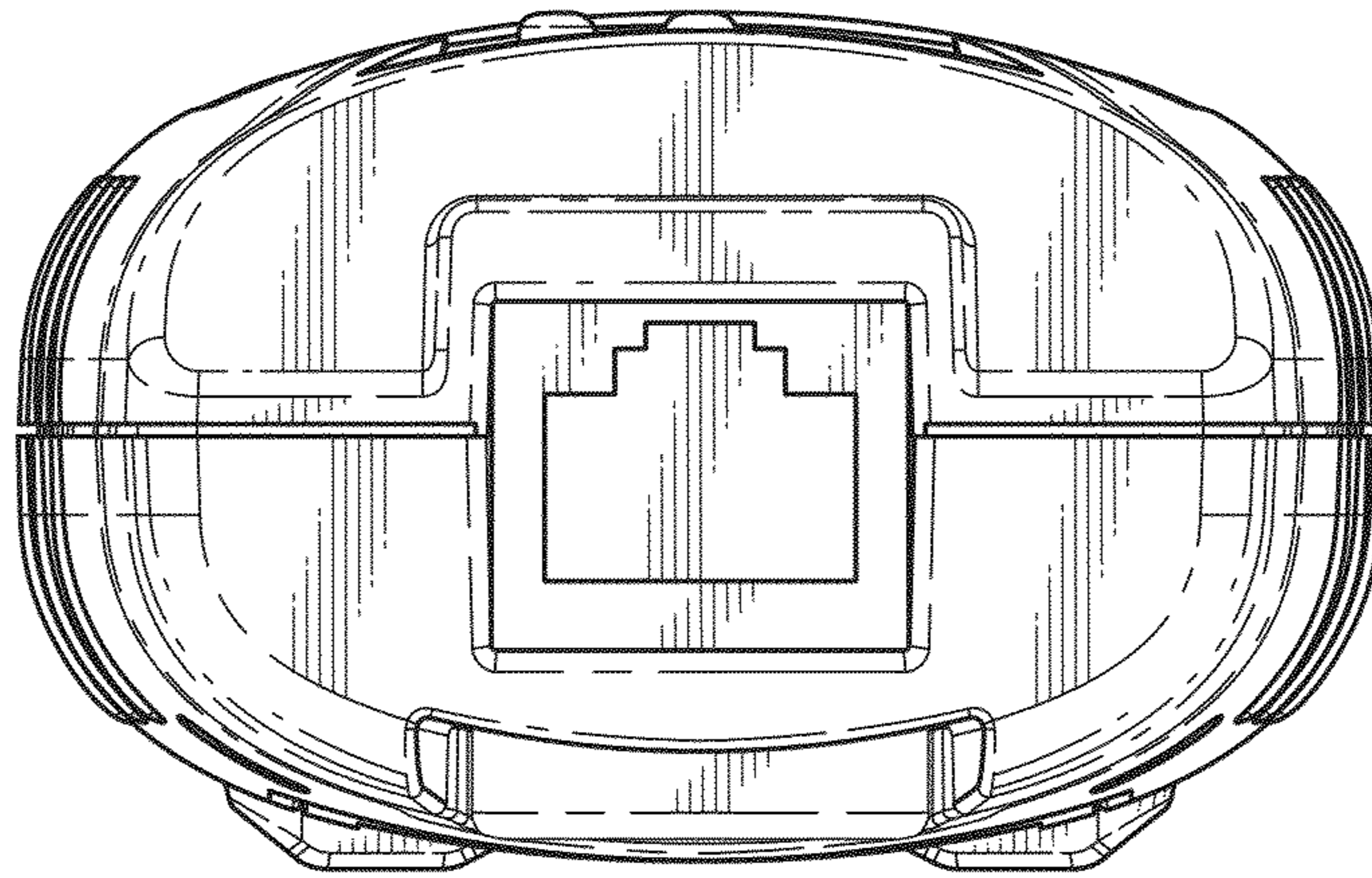




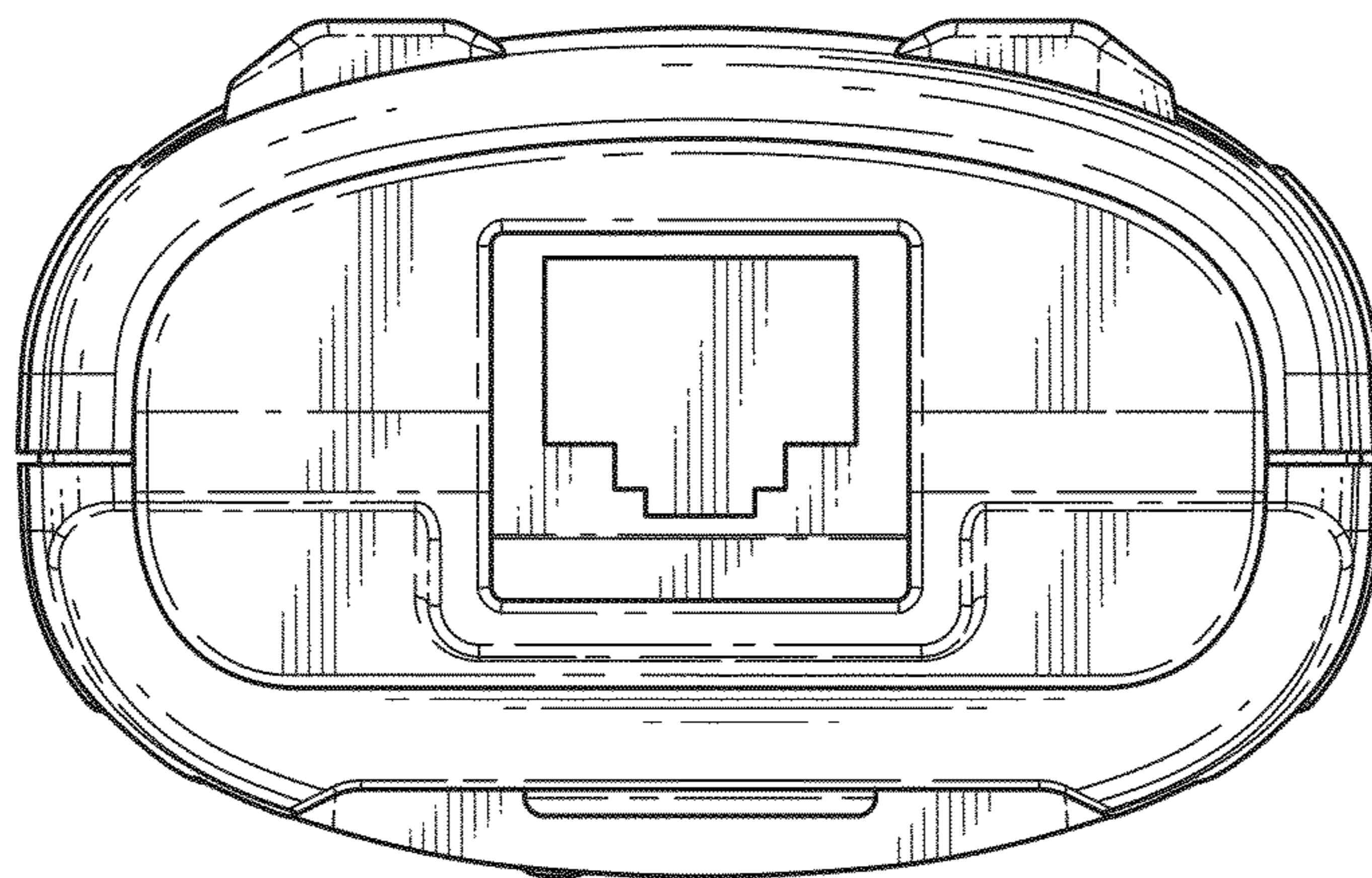
*Figure 5*



*Figure 6*



*Figure 7*



*Figure 8*