

US00D739277S

(12) **United States Design Patent**
Martel et al.

(10) **Patent No.:** **US D739,277 S**
(45) **Date of Patent:** **** Sep. 22, 2015**

(54) **PORTABLE TEST INSTRUMENT**

(71) Applicant: **EXFO INC.**, Quebec (CA)

(72) Inventors: **Alain Martel**, Montreal (CA); **Pascal Recoura-Massaquant**, Quebec (CA); **Hicham Maalouf**, Dollard-des-Ormeaux (CA)

(73) Assignee: **EXFO INC.**, Quebec (CA)

(**) Term: **14 Years**

(21) Appl. No.: **29/482,623**

(22) Filed: **Feb. 20, 2014**

(51) **LOC (10) Cl.** **10-04**

(52) **U.S. Cl.**
USPC **D10/78**

(58) **Field of Classification Search**
USPC D10/75, 78
CPC H04N 7/17309; H04N 17/00; H04N 21/42676; H04N 21/44209; H04N 21/44245; H04N 21/6118; H04N 21/6168; H04N 21/6543; H04L 12/2697; H04L 43/50; H04Q 2213/1332; H04Q 2213/1316; H04Q 2213/13166; H04Q 2213/13003; H04M 3/30
See application file for complete search history.

(56) **References Cited**

U.S. PATENT DOCUMENTS

D430,048 S * 8/2000 Hoofnagle et al. D10/78
D444,085 S * 6/2001 Wisley et al. D10/78

(Continued)

OTHER PUBLICATIONS

EXFO Inc., Specification Sheet, FTB-200 Compact Platform, Mar. 2012, pp. 1-10, Canada.

(Continued)

Primary Examiner — Antoine D Davis

(74) *Attorney, Agent, or Firm* — Norton Rose Fulbright Canada LLP; Alexandre Dacust

(57) **CLAIM**

The ornamental design for a portable test instrument, as shown and described.

DESCRIPTION

FIG. 1 is a first oblique view of a first variant of the portable test instrument, taken from the front and left side, showing our new design;

FIG. 2 is another oblique view thereof, taken from the front and right side;

FIG. 3 is a front elevation view thereof,

FIG. 4 is a rear elevation view thereof,

FIG. 5 is a bottom plan view thereof,

FIG. 6 is a top plan view thereof,

FIG. 7 is a left side elevation view thereof, and

FIG. 8 is a right side elevation view thereof,

FIG. 9 is a first oblique view of a second variant of the portable test instrument, taken from the front and left side, showing our new design;

FIG. 10 is another oblique view thereof, taken from the front and right side;

FIG. 11 is a front elevation view thereof,

FIG. 12 is a rear elevation view thereof,

FIG. 13 is a bottom plan view thereof,

FIG. 14 is a top plan view thereof,

FIG. 15 is a left side elevation view thereof; and,

FIG. 16 is a right side elevation view thereof.

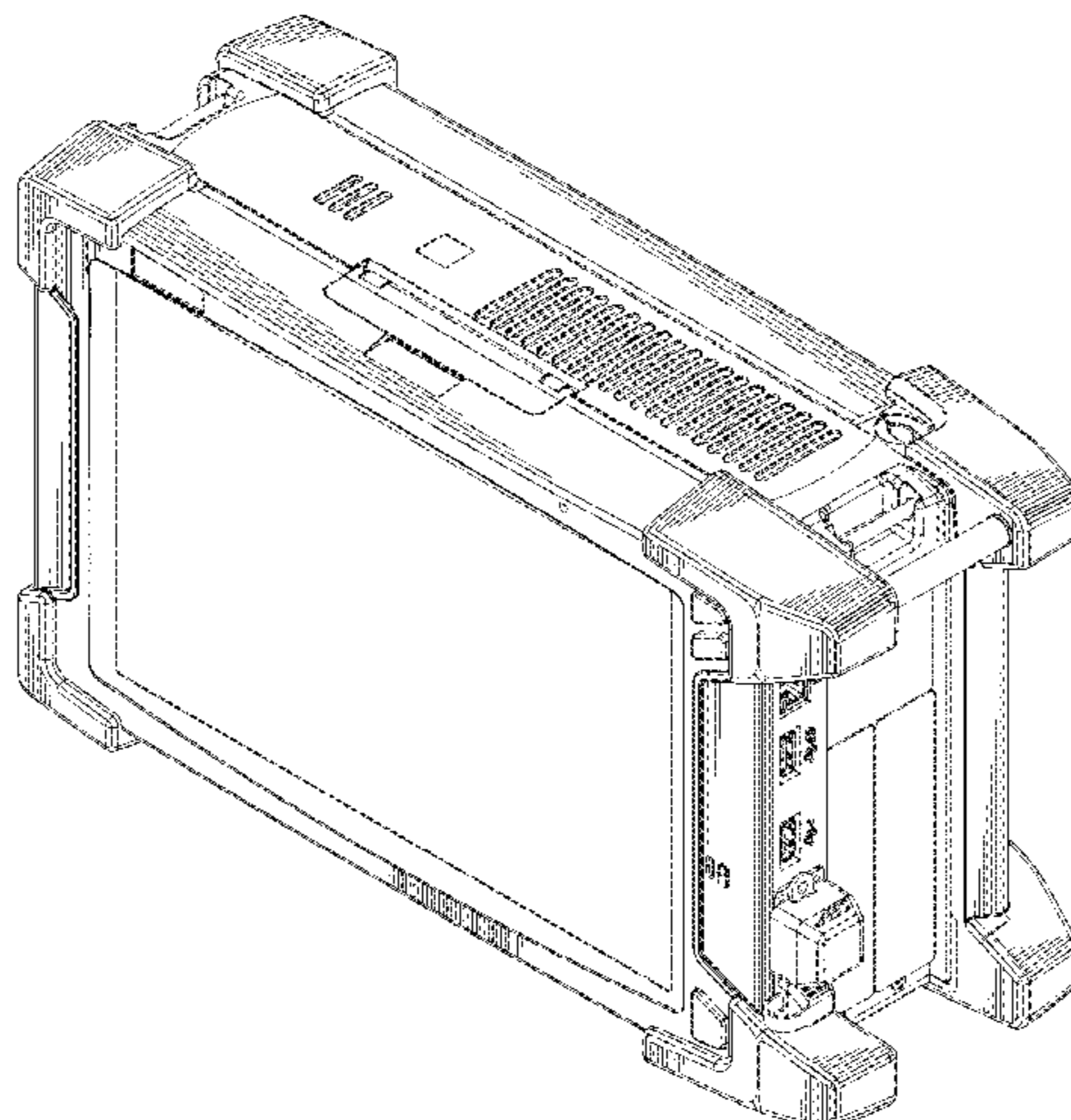
In all figures, solid line shading is used to better illustrate the three-dimensional ornamental features of the design.

In FIGS. 1 to 16, lightweight broken lines are included to show unclaimed subject matter and to delimit claimed solid line portions of the design from unclaimed subject-matter.

In FIGS. 9 to 16, line patterns are used as symbols in accordance with MPEP 608.02 IX to illustrate associated colors.

More particularly, the portions of the design shown with a horizontal solid line pattern are of a tone of blue color, whereas the portions of the design shown with a horizontal stippled line pattern are of a dark grey color.

1 Claim, 14 Drawing Sheets



(56)

References Cited

U.S. PATENT DOCUMENTS

D474,413 S * 5/2003 Hoofnagle et al. D10/78
6,738,454 B2 * 5/2004 Mohammadian et al. 379/21
6,801,307 B2 * 10/2004 Ziegler et al. 356/73.1
D510,533 S * 10/2005 Hoofnagle D10/78
D543,475 S * 5/2007 Janky D10/78
D552,496 S * 10/2007 Janky et al. D10/78
7,302,361 B2 * 11/2007 Baleta et al. 702/182
D569,749 S * 5/2008 Silverio et al. D10/78

D596,969 S * 7/2009 Igelmund D10/75
D640,580 S * 6/2011 Bibeau et al. D10/78
D714,171 S * 9/2014 Hoofnagle et al. D10/78

OTHER PUBLICATIONS

EXFO Inc., Specification Sheet, FTB-1 Platform, Oct. 2012, pp. 1-8, Canada.

EXFO Inc., Specification Sheet, FTB-500 Platform, Apr. 2012, pp. 1-9, Canada.

* cited by examiner

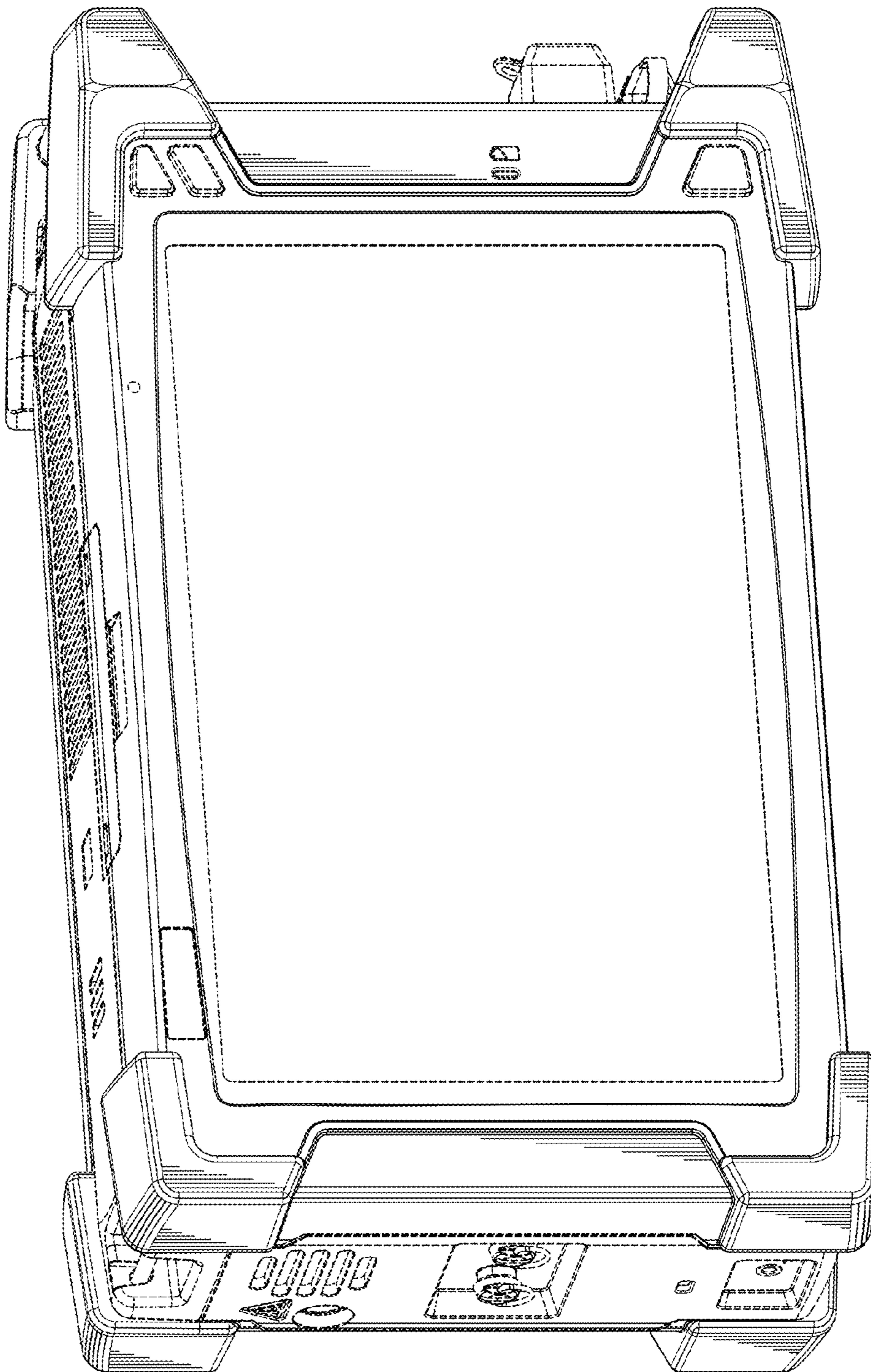


FIG. 1

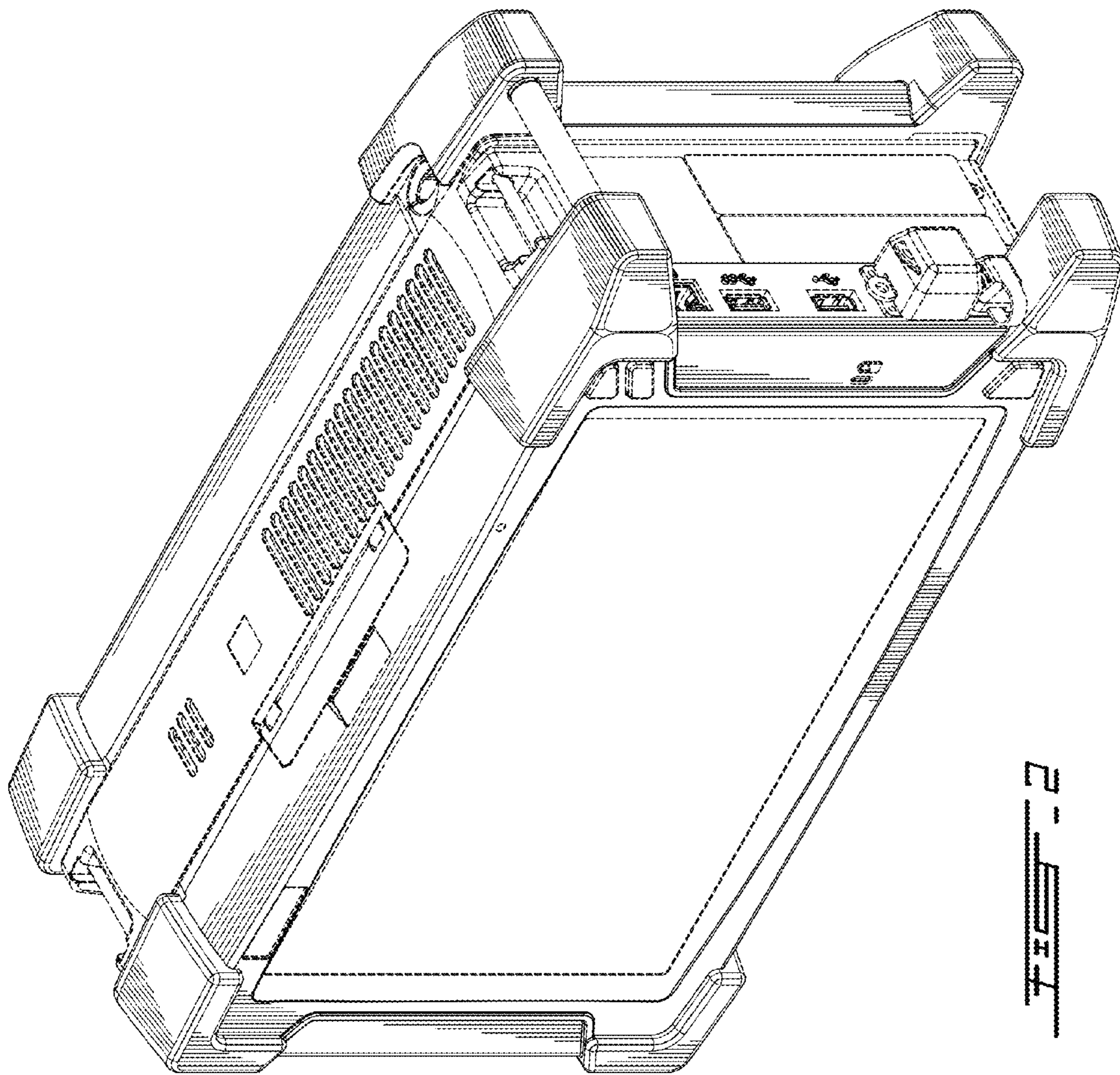


FIG. 2

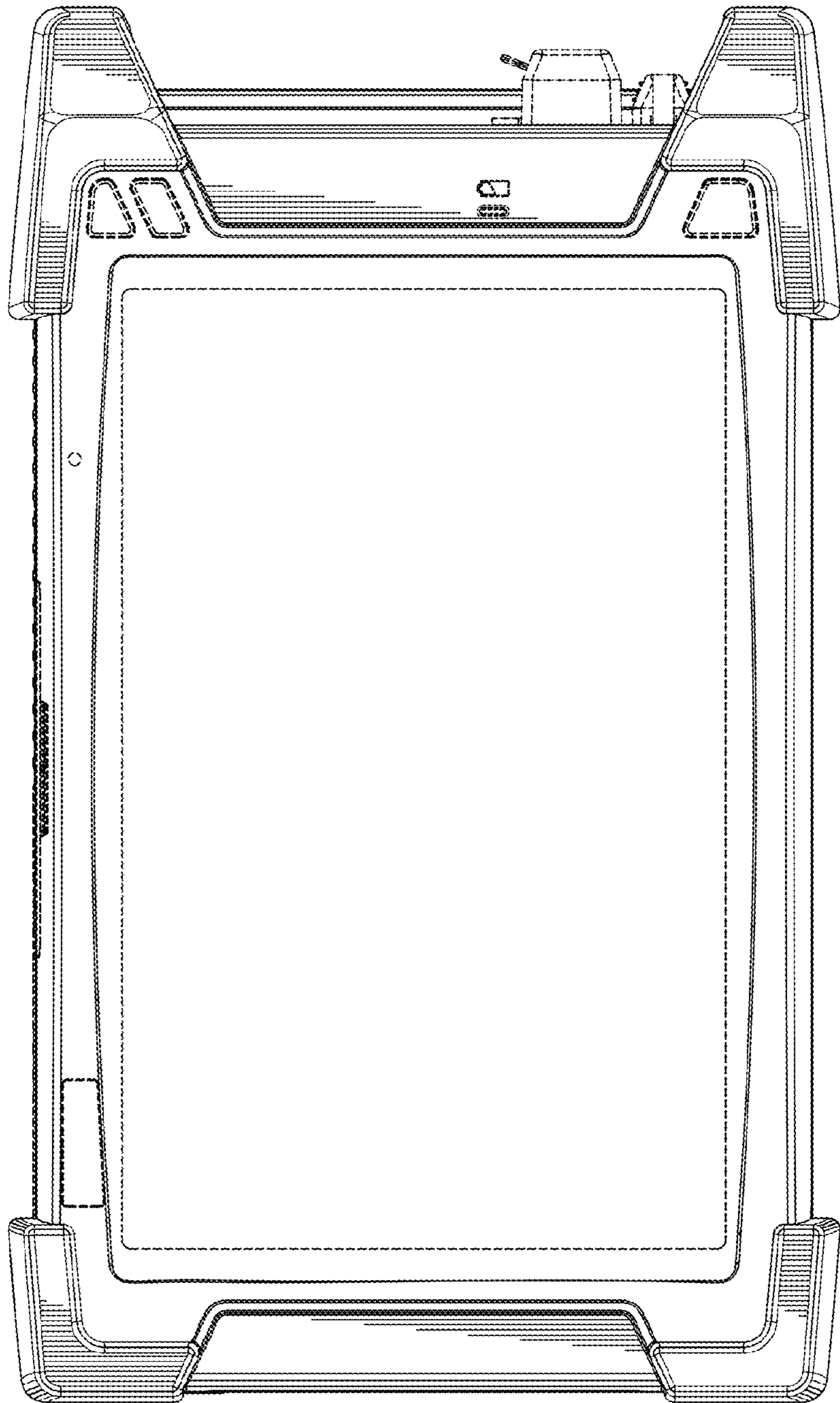


FIG. 3

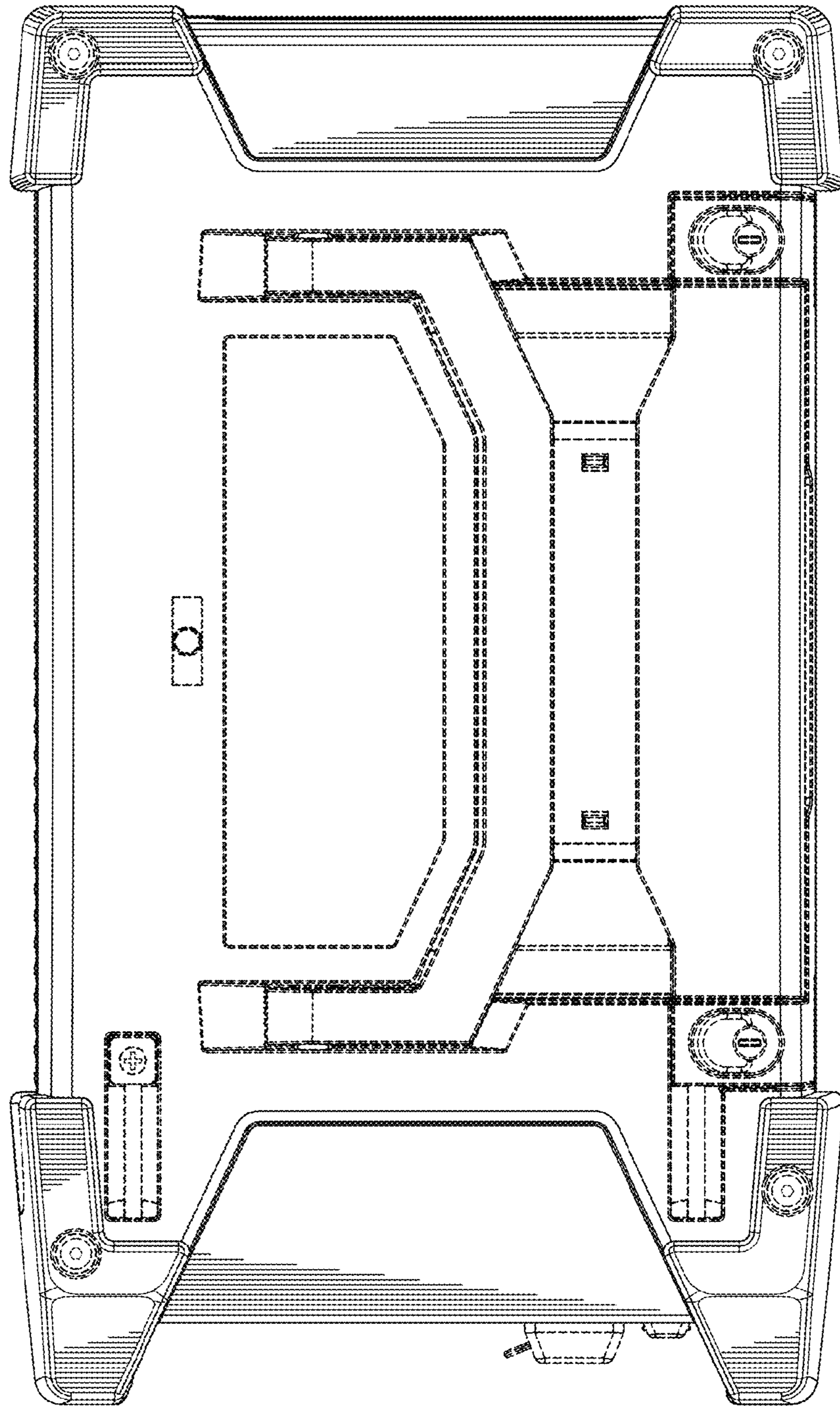


FIG. 4

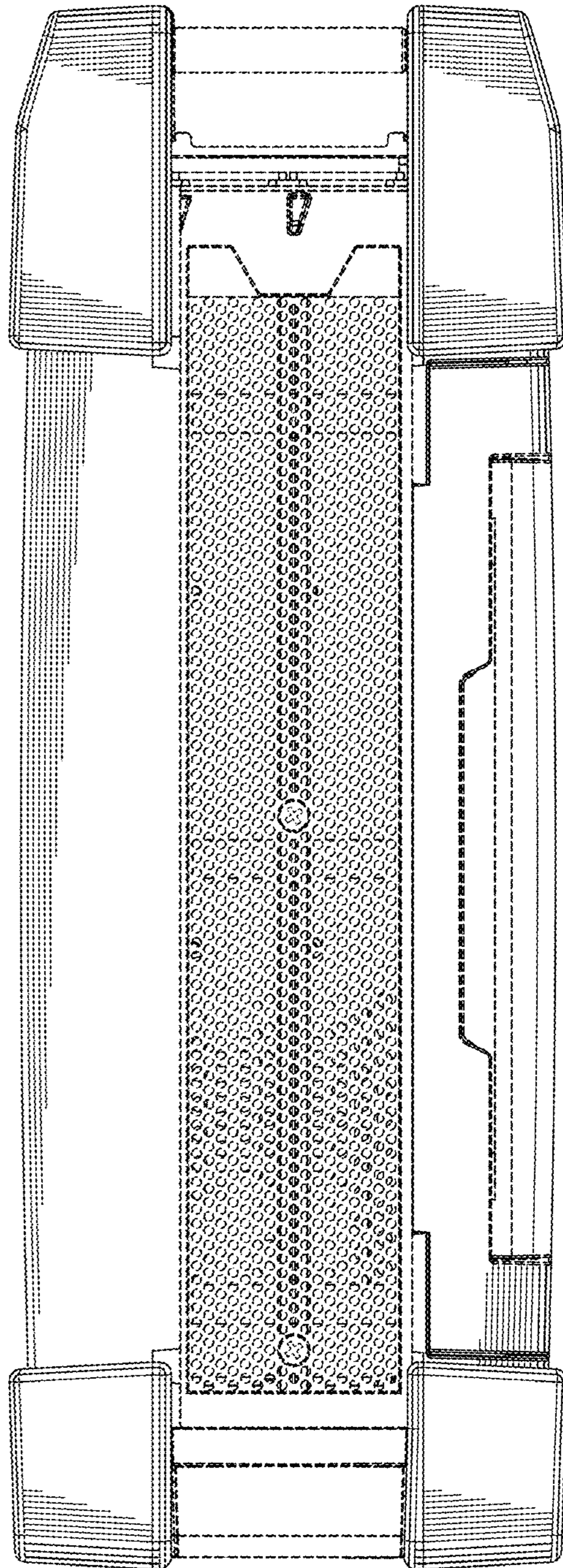


FIG. 5

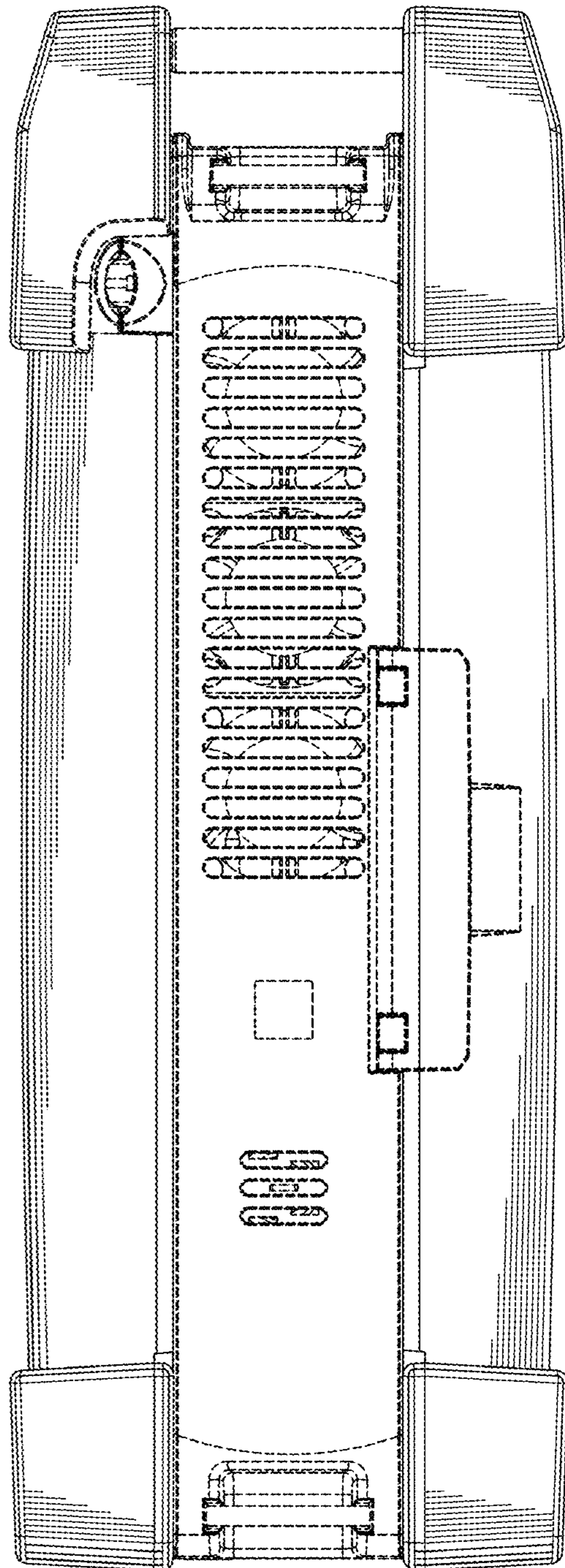


FIG. 6

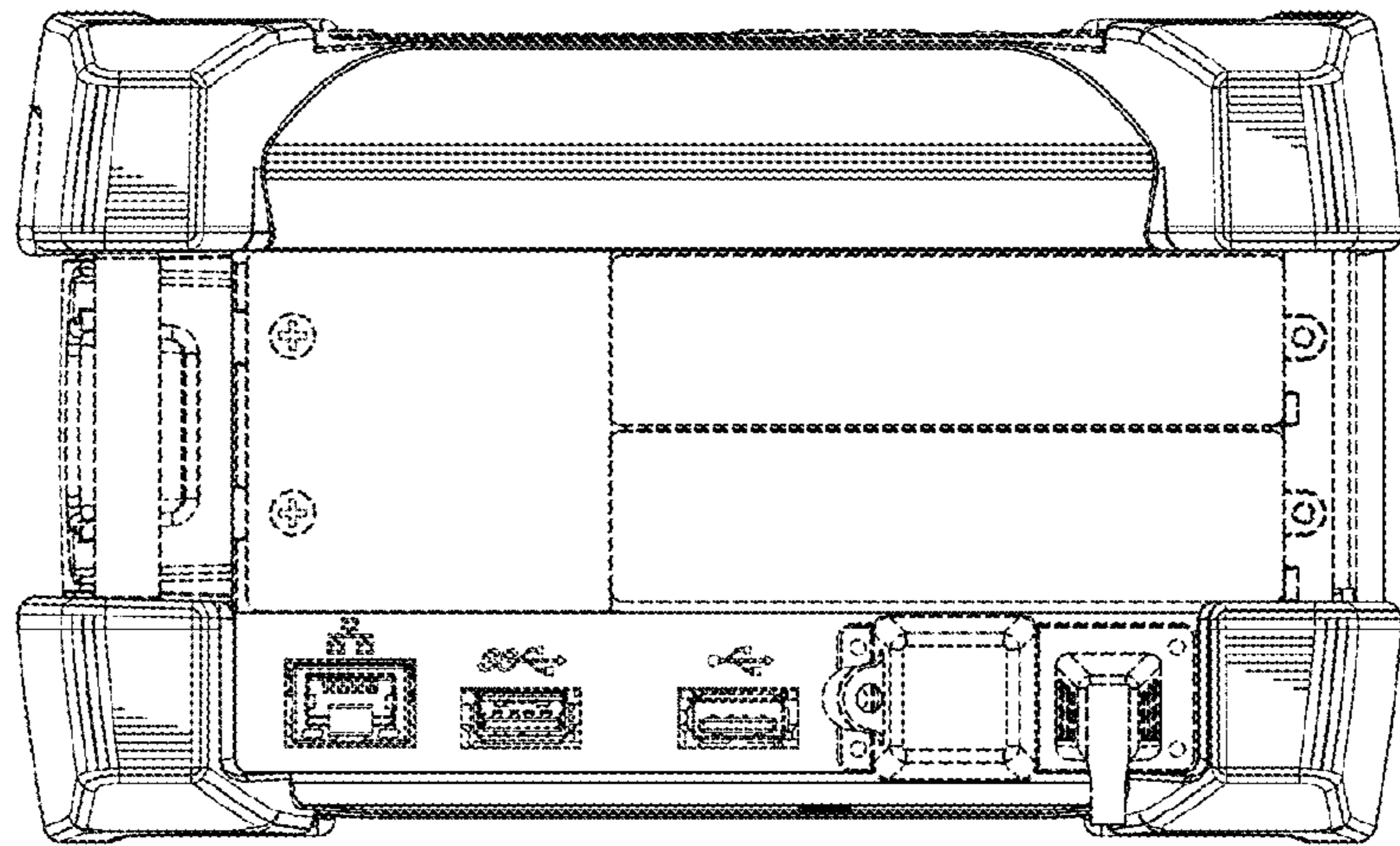


FIG. 7

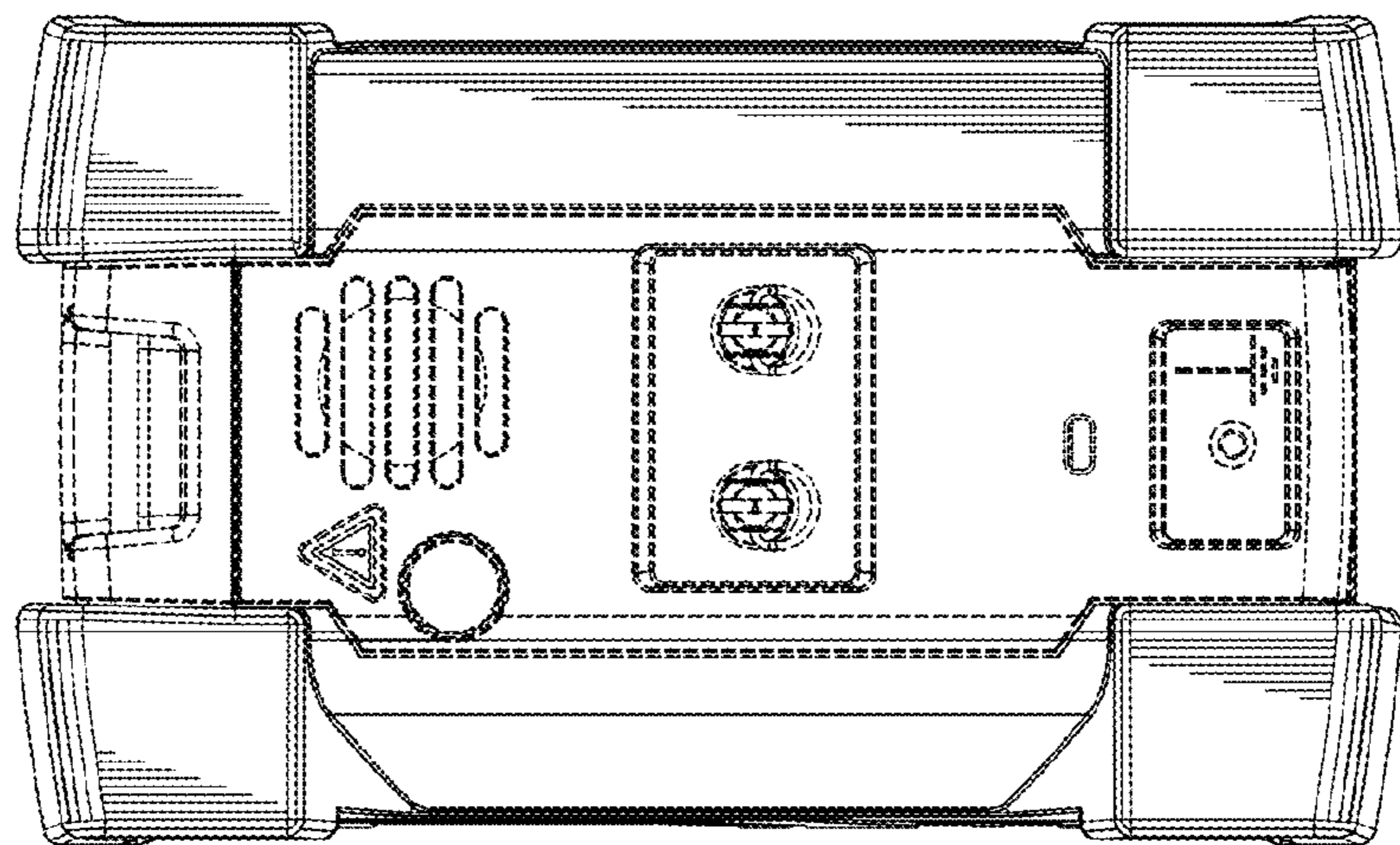


FIG. 8

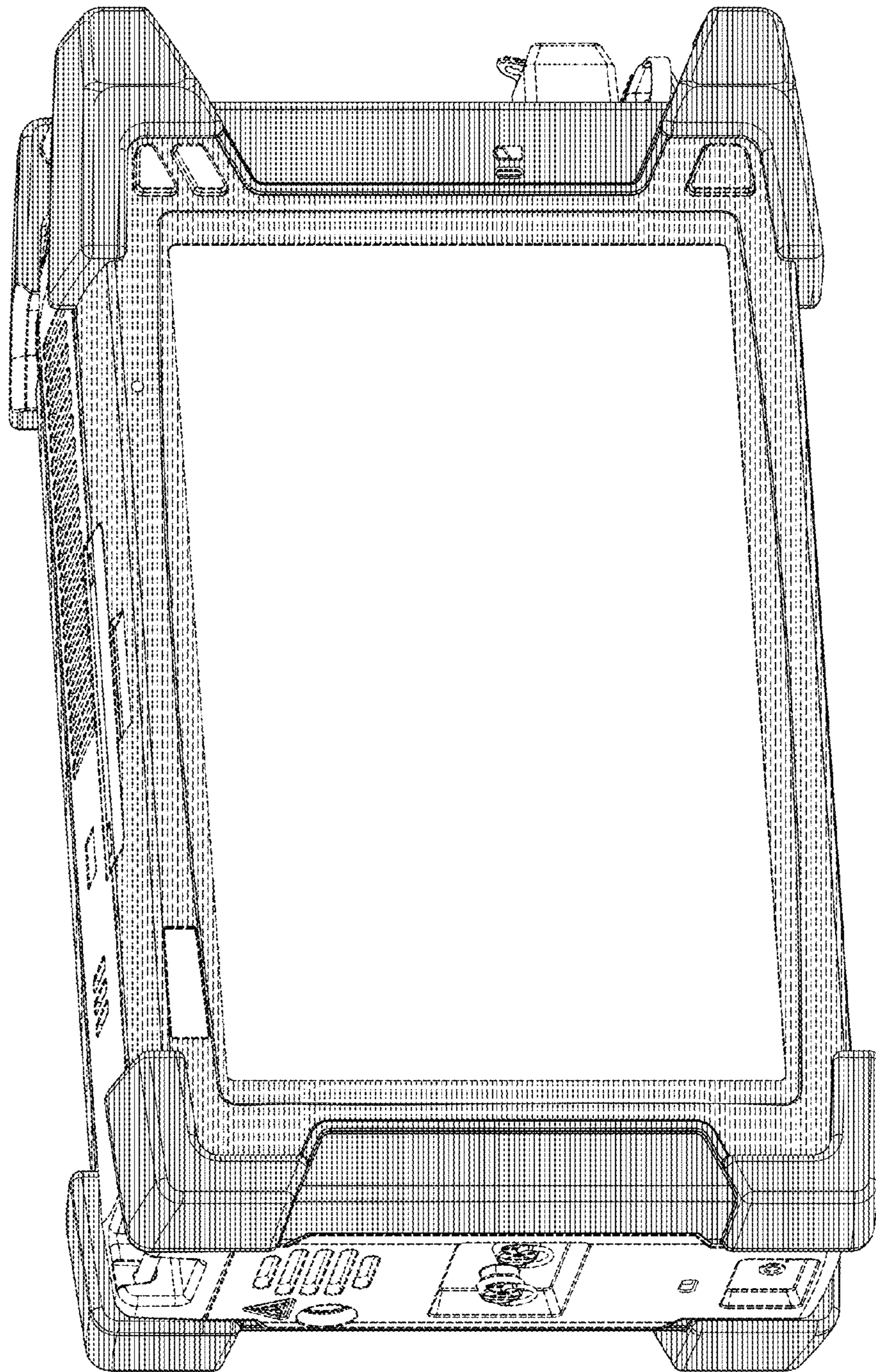
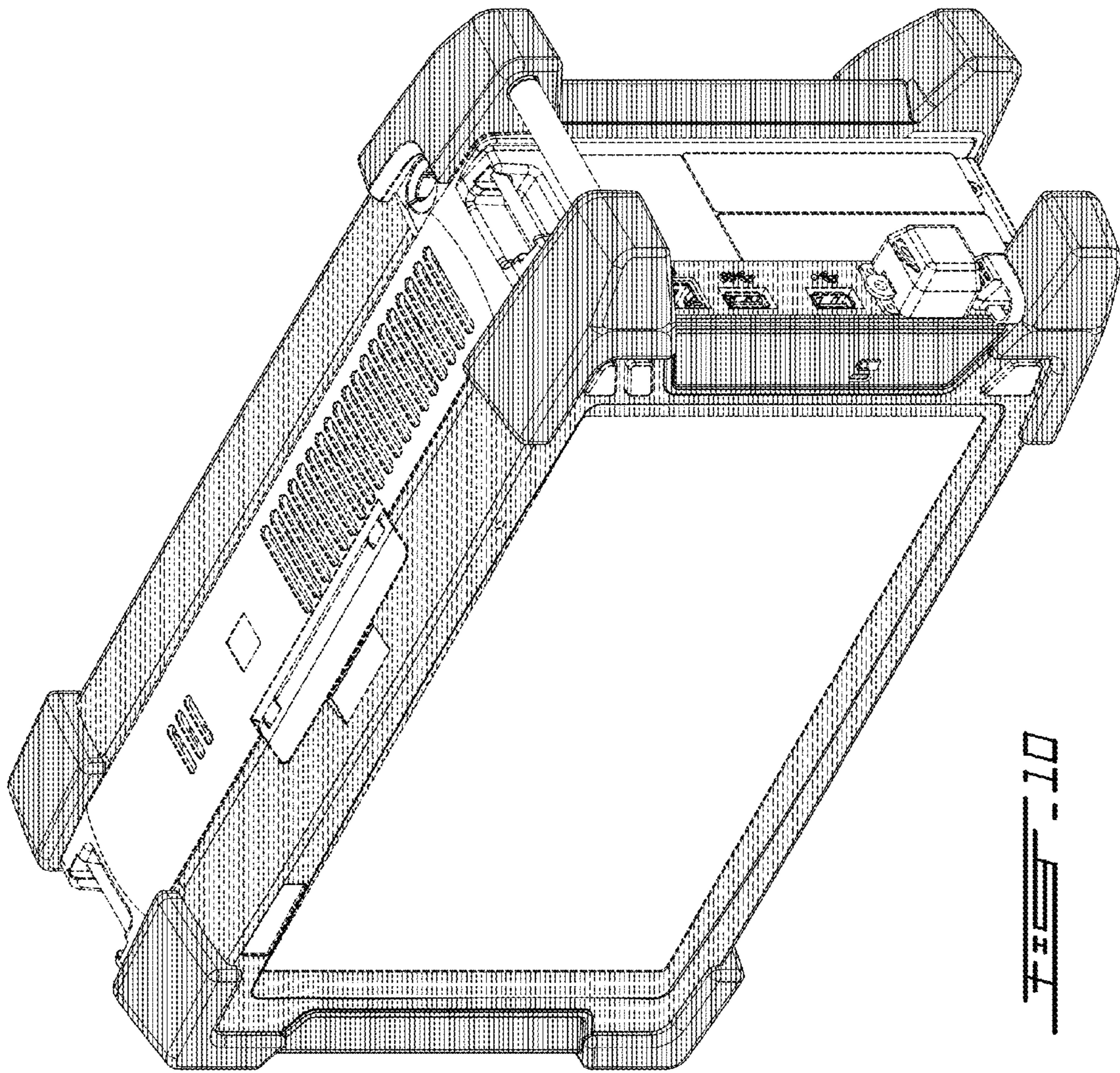


FIG. 8



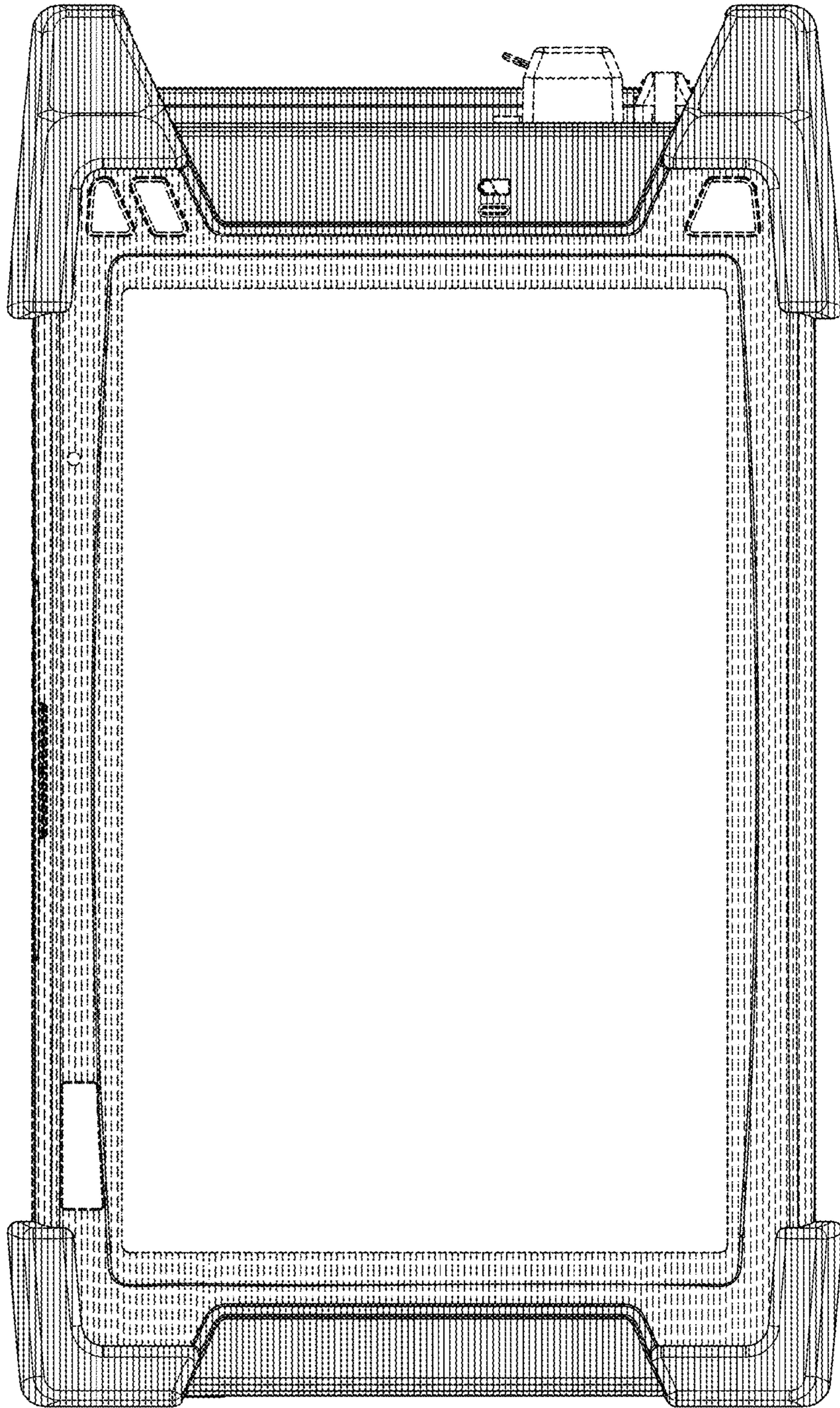


FIG. 11

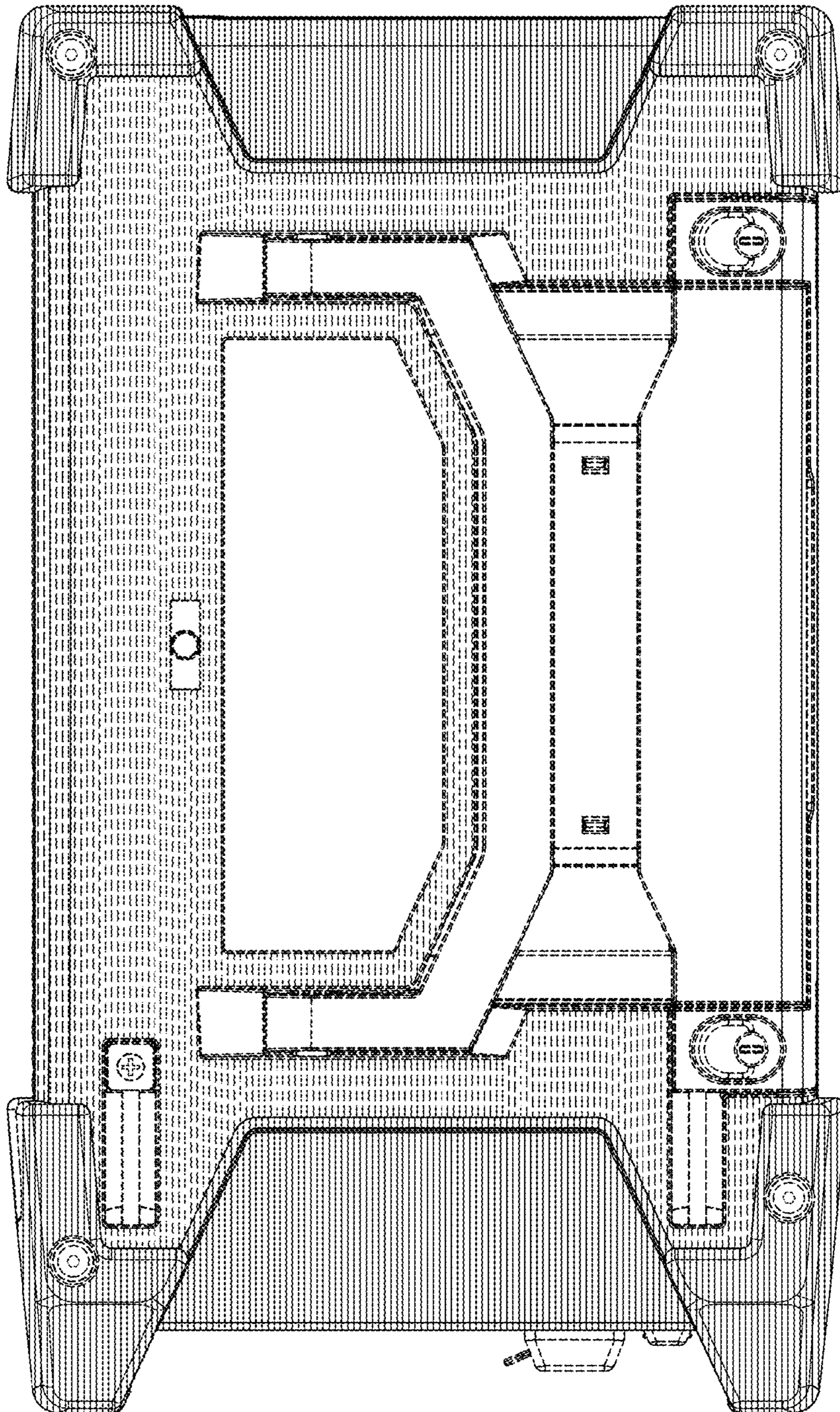


FIG. 12

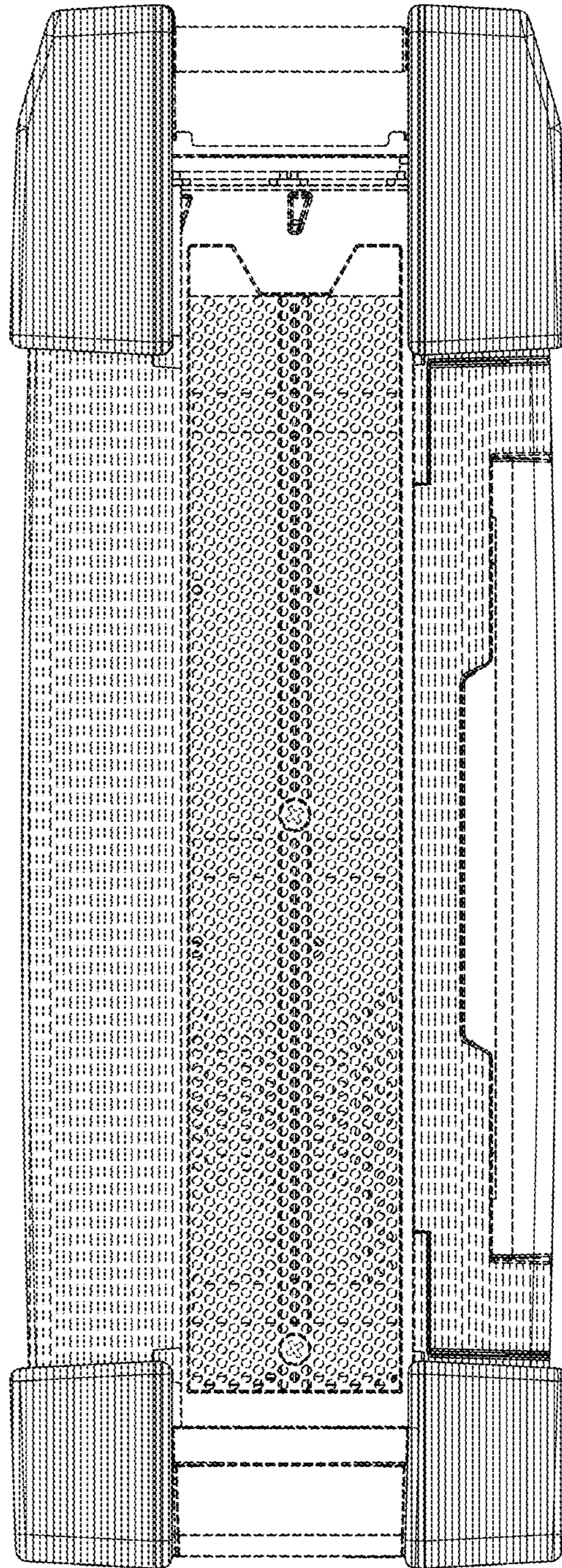


FIG. 13

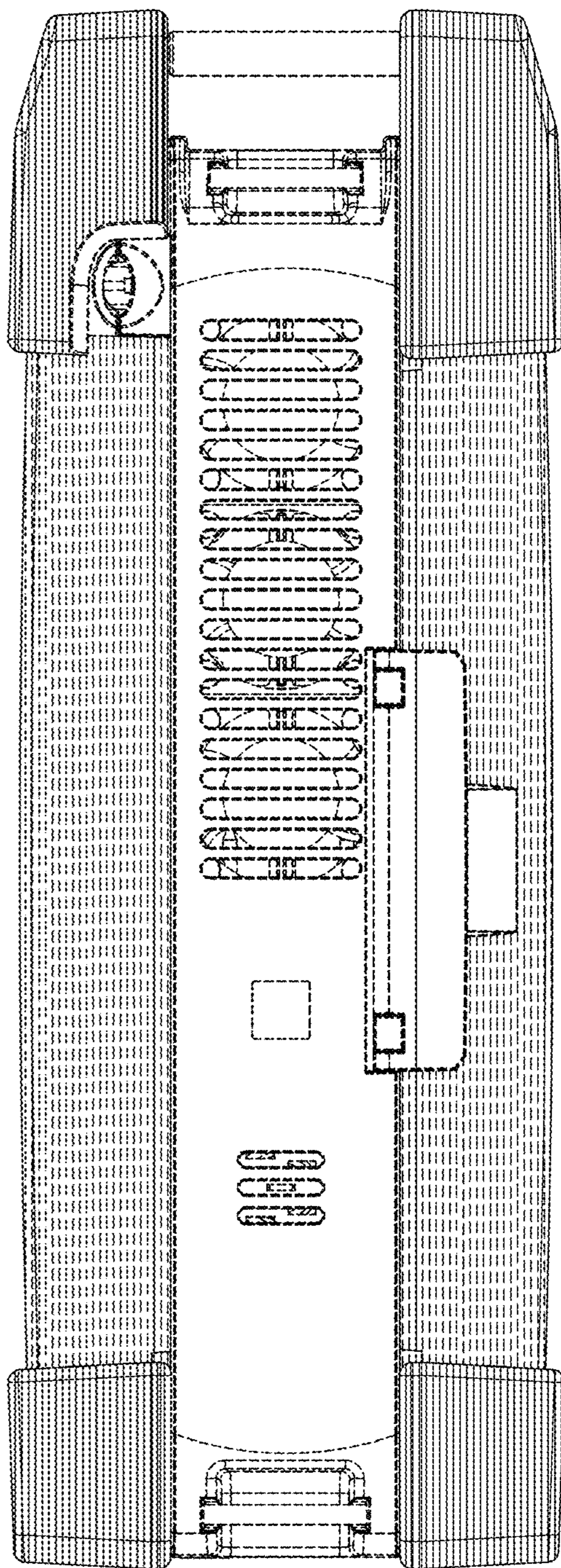


FIG. 14

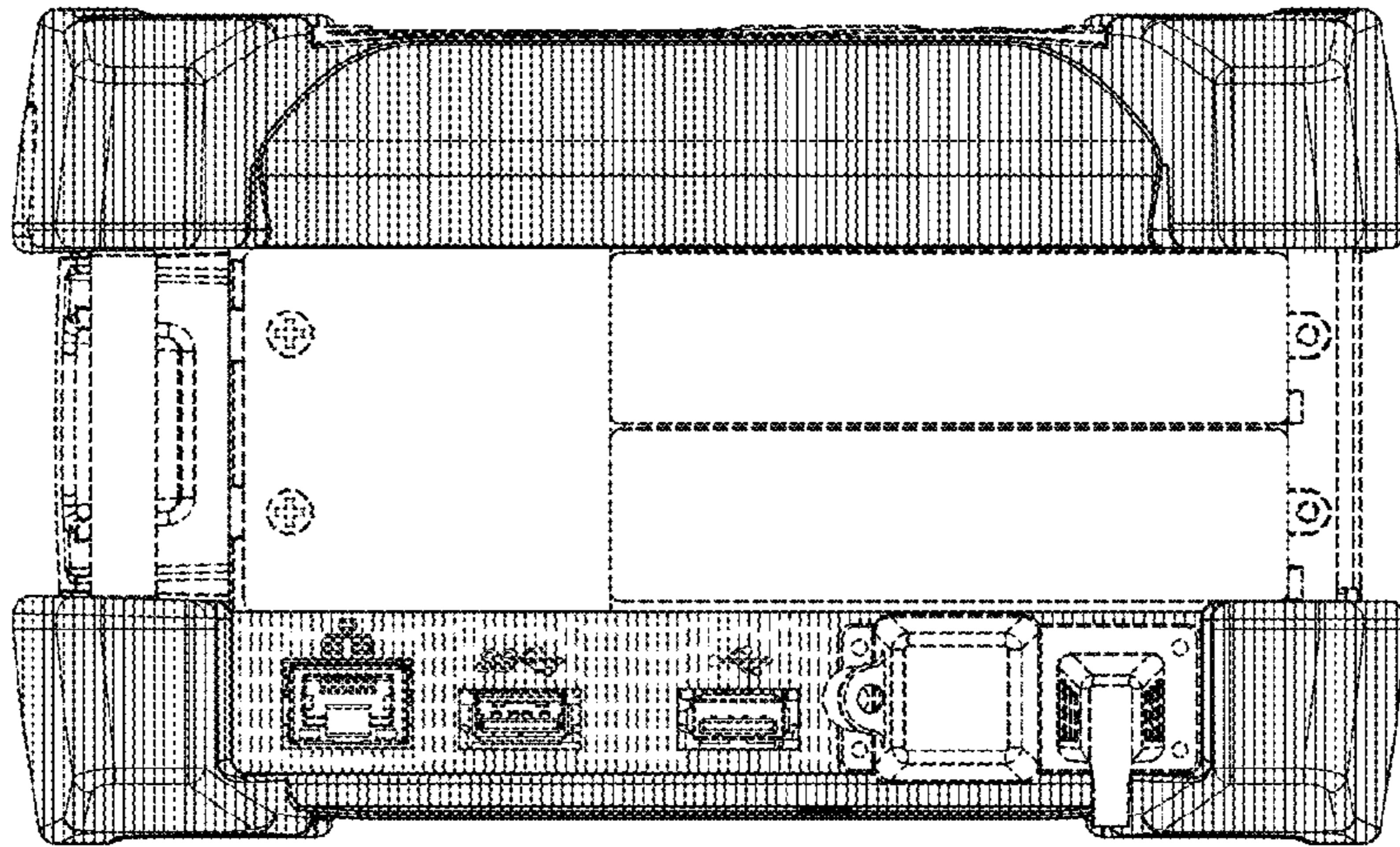


FIG. 16

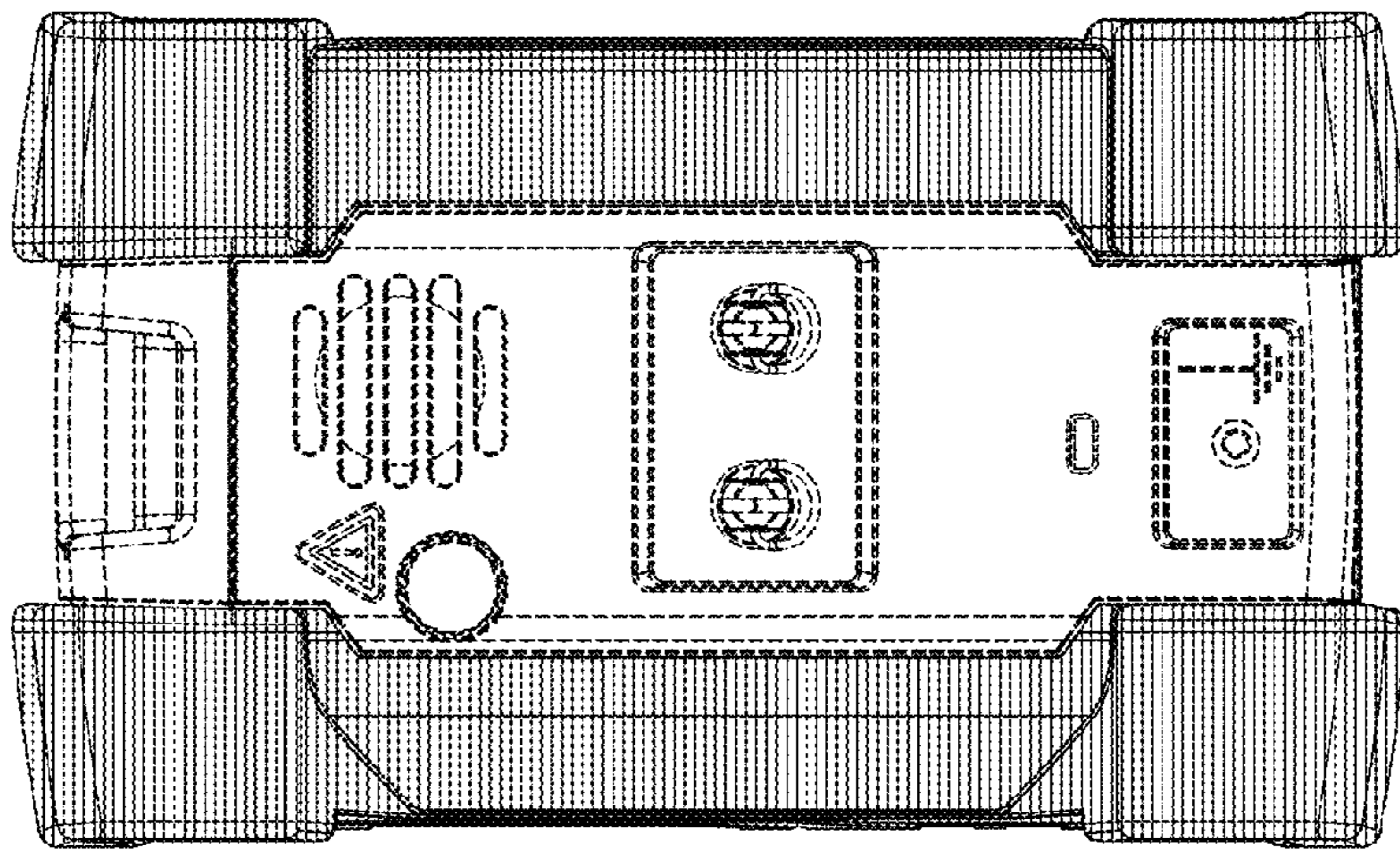


FIG. 15