



US00D739261S

(12) **United States Design Patent**  
**Sutherland**

(10) **Patent No.:** **US D739,261 S**

(45) **Date of Patent:** **\*\* Sep. 22, 2015**

(54) **DISPENSING DEVICE**

(71) Applicant: **Spencer D. Sutherland**, Anaheim, CA  
(US)

(72) Inventor: **Spencer D. Sutherland**, Anaheim, CA  
(US)

(73) Assignee: **Squish Pak LLC**, Anaheim, CA (US)

(\*\*) Term: **14 Years**

(21) Appl. No.: **29/453,790**

(22) Filed: **May 2, 2013**

(51) **LOC (10) Cl.** ..... **09-03**

(52) **U.S. Cl.**  
USPC ..... **D9/695**

(58) **Field of Classification Search**  
USPC ..... D9/702-714, 761, 731, 414, 418,  
D9/430-432, 520-521, 438, 695-699, 416,  
D9/737; D7/590, 600.1; 215/328; 222/92,  
222/105, 215, 145.1, 95, 183, 107; 383/9,  
383/22, 59-60, 901, 207, 209; D24/118,  
D24/108, 207, 104; 128/114.1, DIG. 24;  
D28/8.1, 4, 5; 239/34; 510/192, 194,  
510/220

See application file for complete search history.

(56) **References Cited**

**U.S. PATENT DOCUMENTS**

D445,673 S \* 7/2001 Richardson ..... D9/710  
D445,675 S \* 7/2001 Richardson ..... D28/8.1

D446,447 S \* 8/2001 Richardson ..... D28/8.1  
D472,799 S \* 4/2003 Ghatlia et al. .... D9/715  
D479,123 S \* 9/2003 Ghatlia et al. .... D9/715  
D487,563 S \* 3/2004 Ghatlia et al. .... D28/8.1  
D549,870 S \* 8/2007 McCarthy ..... D28/8.1  
D553,997 S \* 10/2007 Edwards ..... D9/707  
D651,096 S \* 12/2011 Nakagiri ..... D9/707  
D655,201 S \* 3/2012 Schuch ..... D9/707  
D695,957 S \* 12/2013 Faria et al. .... D28/8.1  
D699,127 S \* 2/2014 Garrity et al. .... D9/707  
D703,063 S \* 4/2014 Garrity et al. .... D9/695

\* cited by examiner

*Primary Examiner* — Caron D Veynar

*Assistant Examiner* — Abraham Bahta

(74) *Attorney, Agent, or Firm* — K&L Gates LLP; Louis C.  
Cullman; Georgia Kefallinos

(57) **CLAIM**

The ornamental design for a dispensing device, as shown and described.

**DESCRIPTION**

FIG. 1 is a perspective view of the dispensing device showing my new design;

FIG. 2 is a top view thereof;

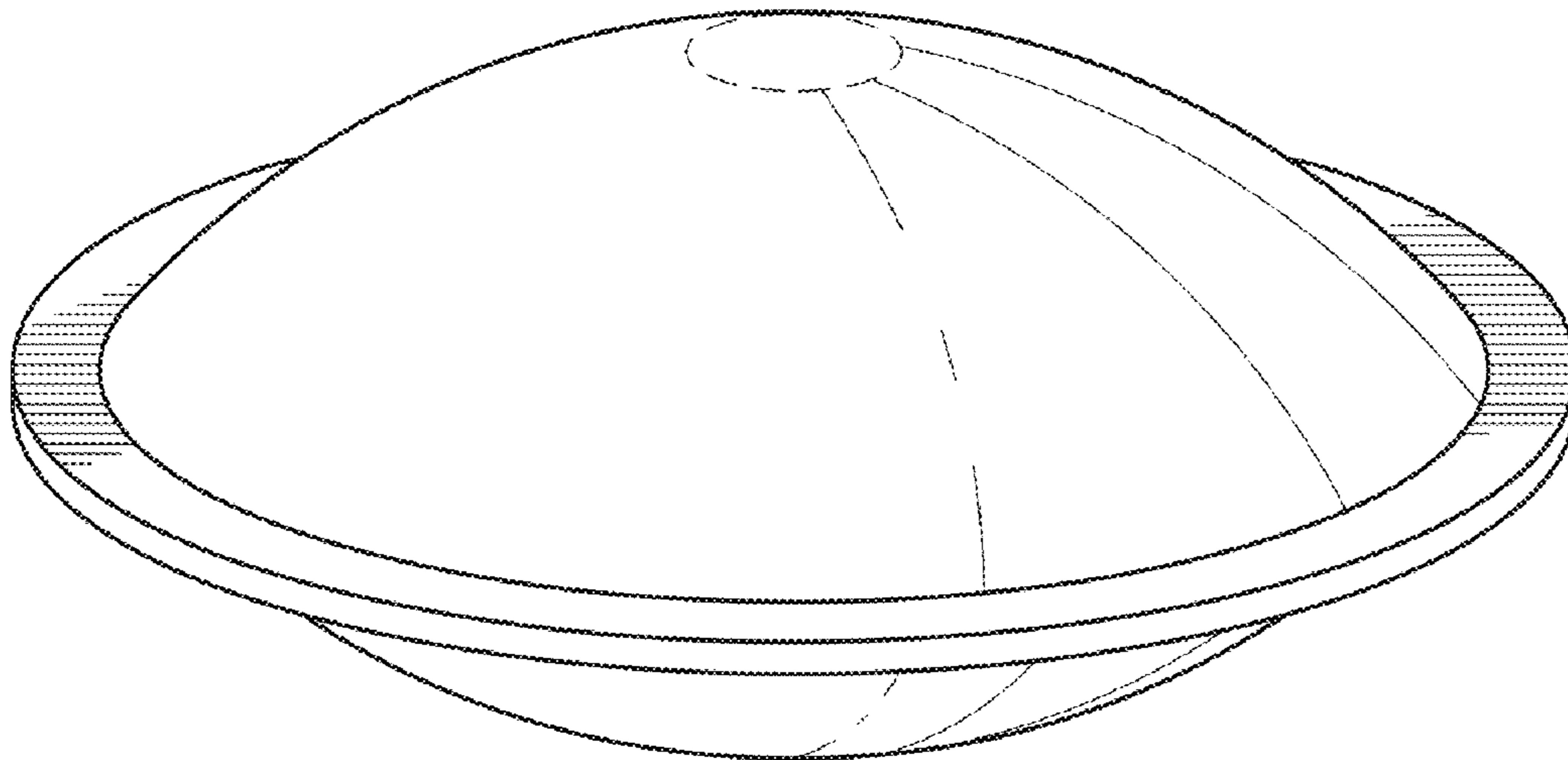
FIG. 3 is a side view thereof;

FIG. 4 is a bottom view thereof; and,

FIG. 5 is a cross-sectional view thereof.

Broken lines are included for the purpose of illustrating environmental structure and form no part of the currently claimed design.

**1 Claim, 2 Drawing Sheets**



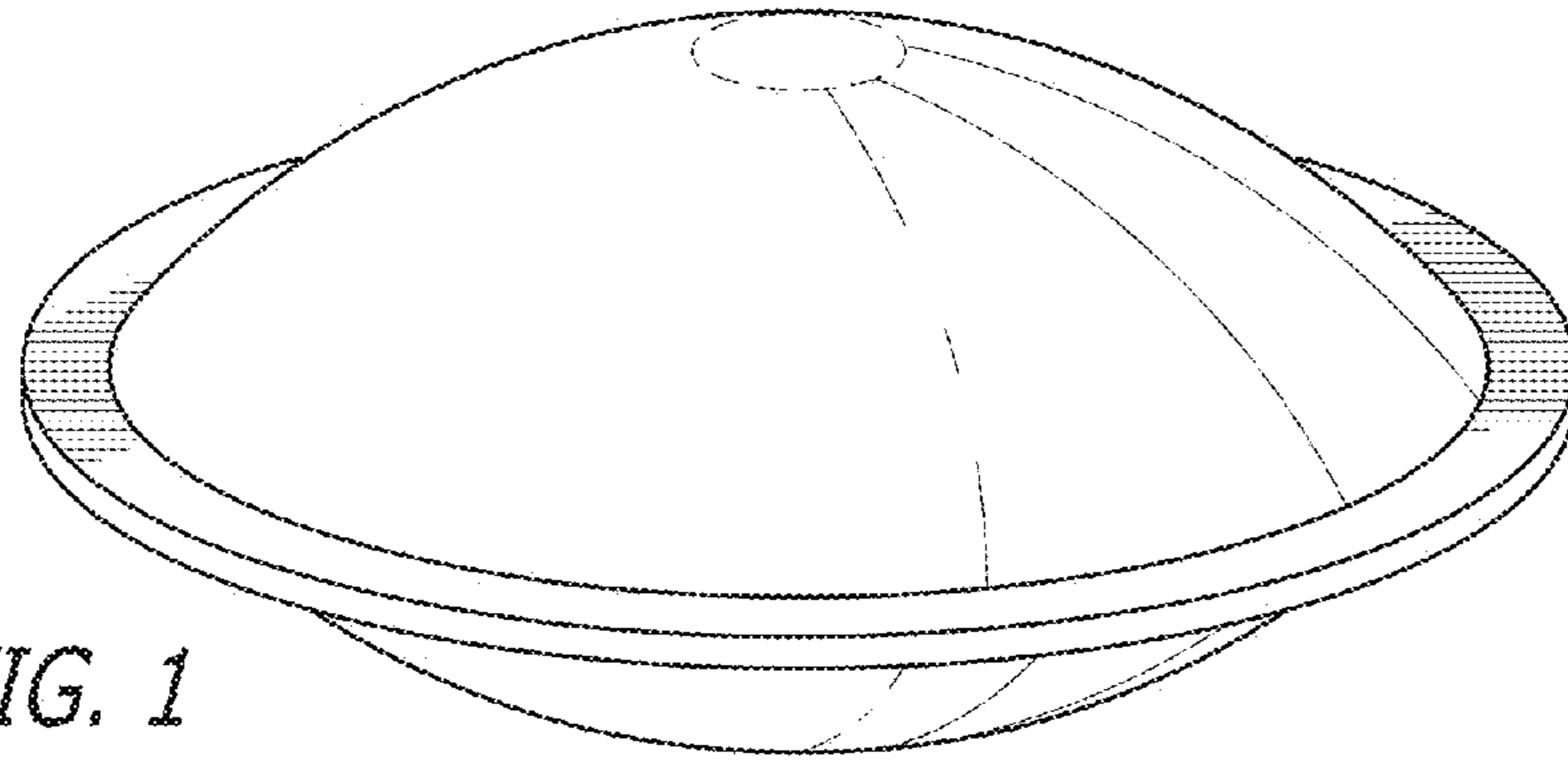


FIG. 1

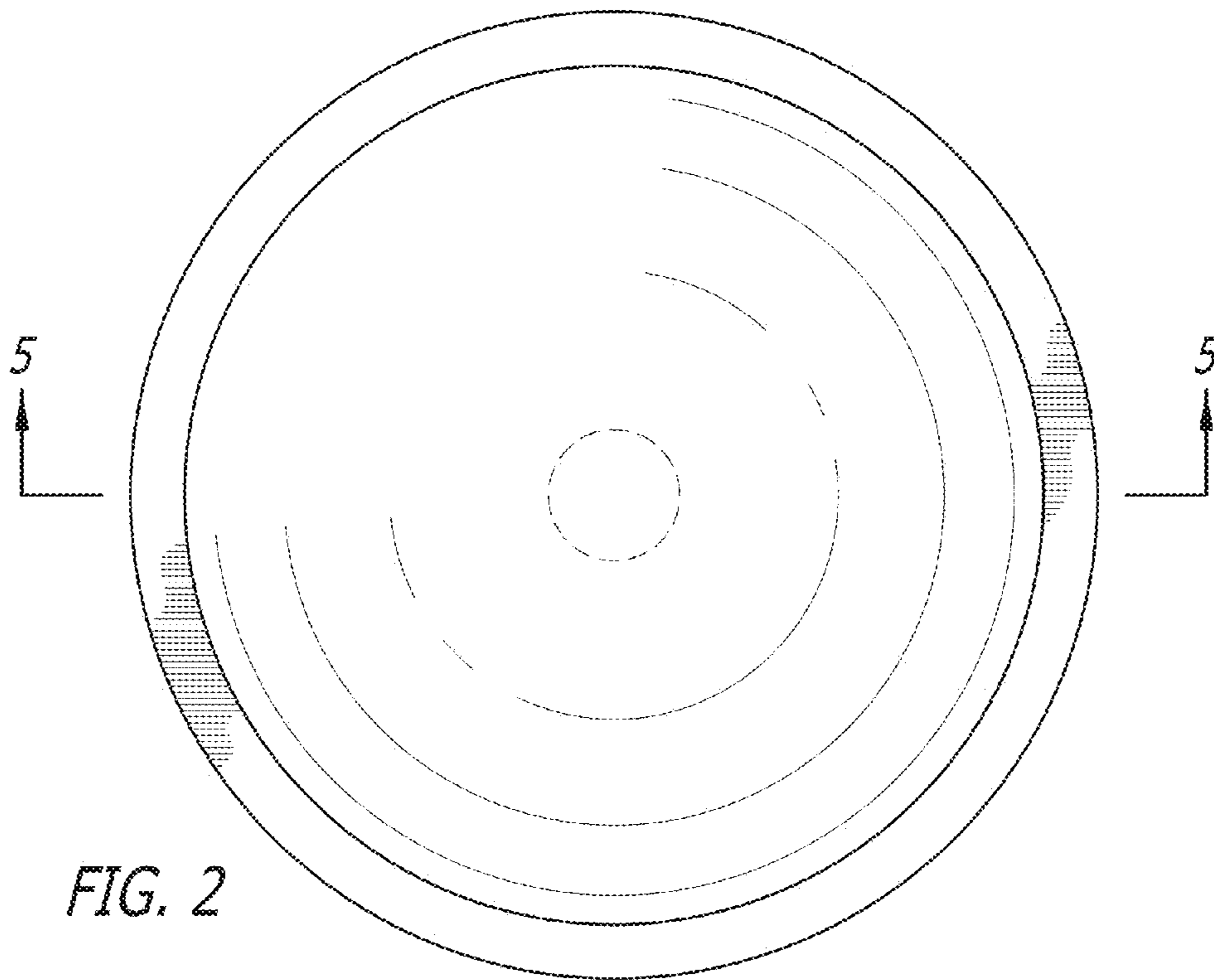


FIG. 2

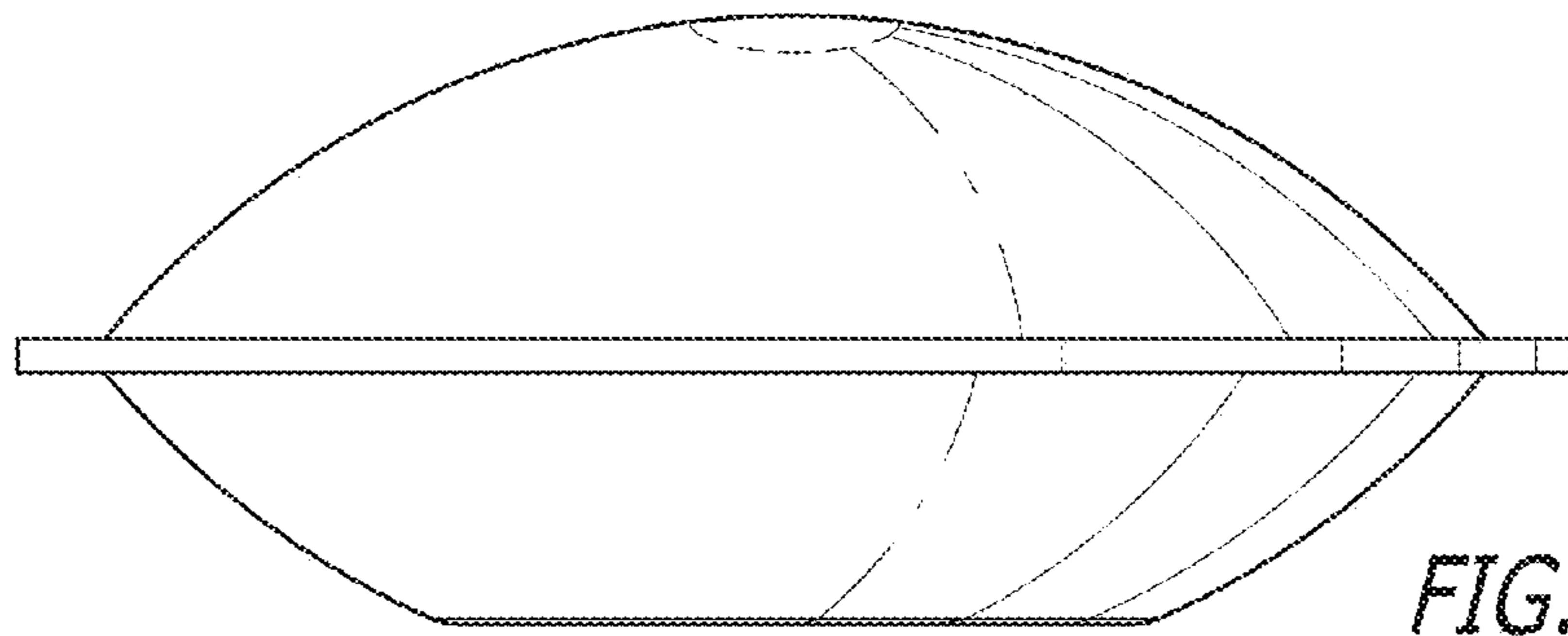


FIG. 3

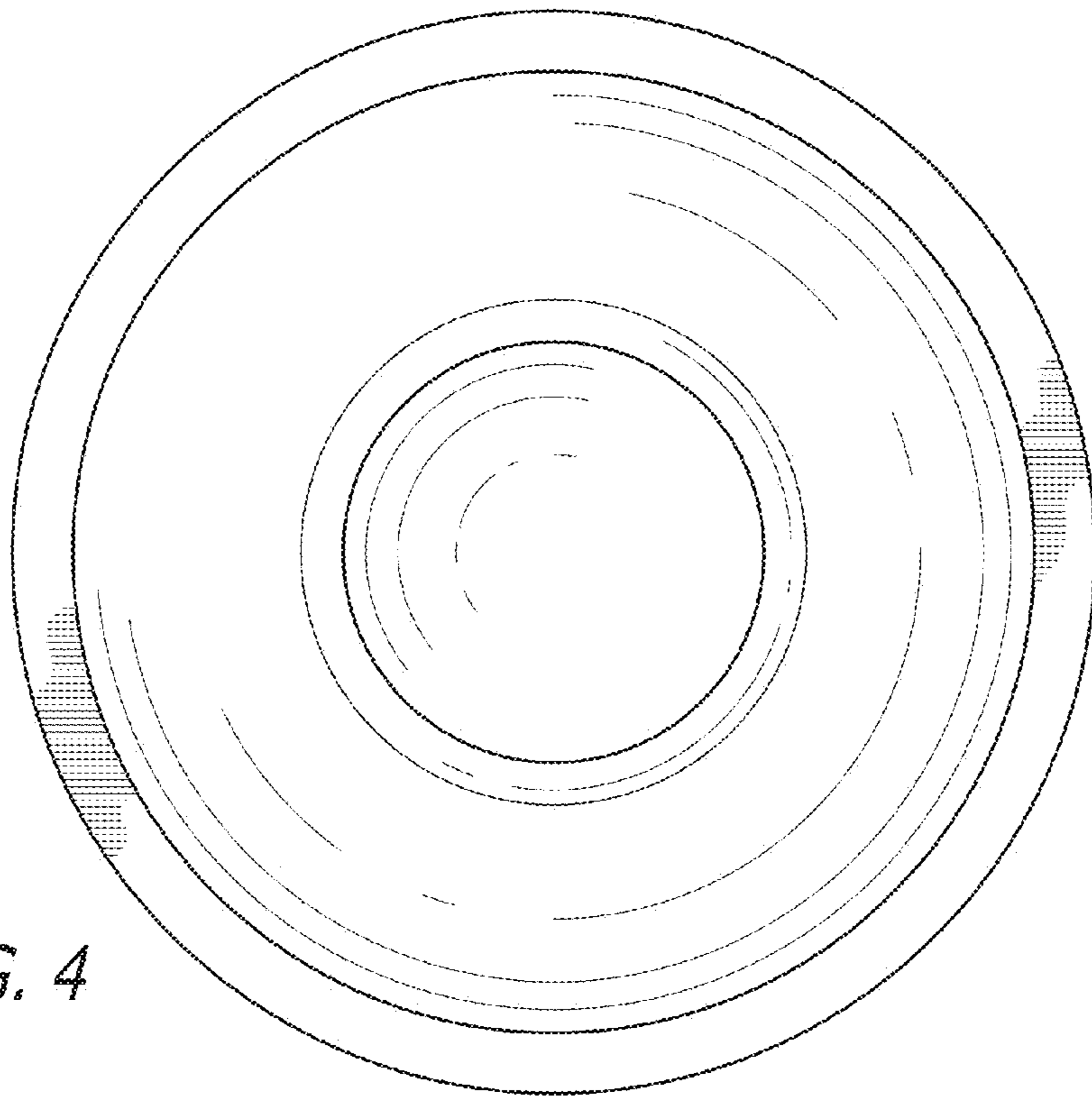


FIG. 4

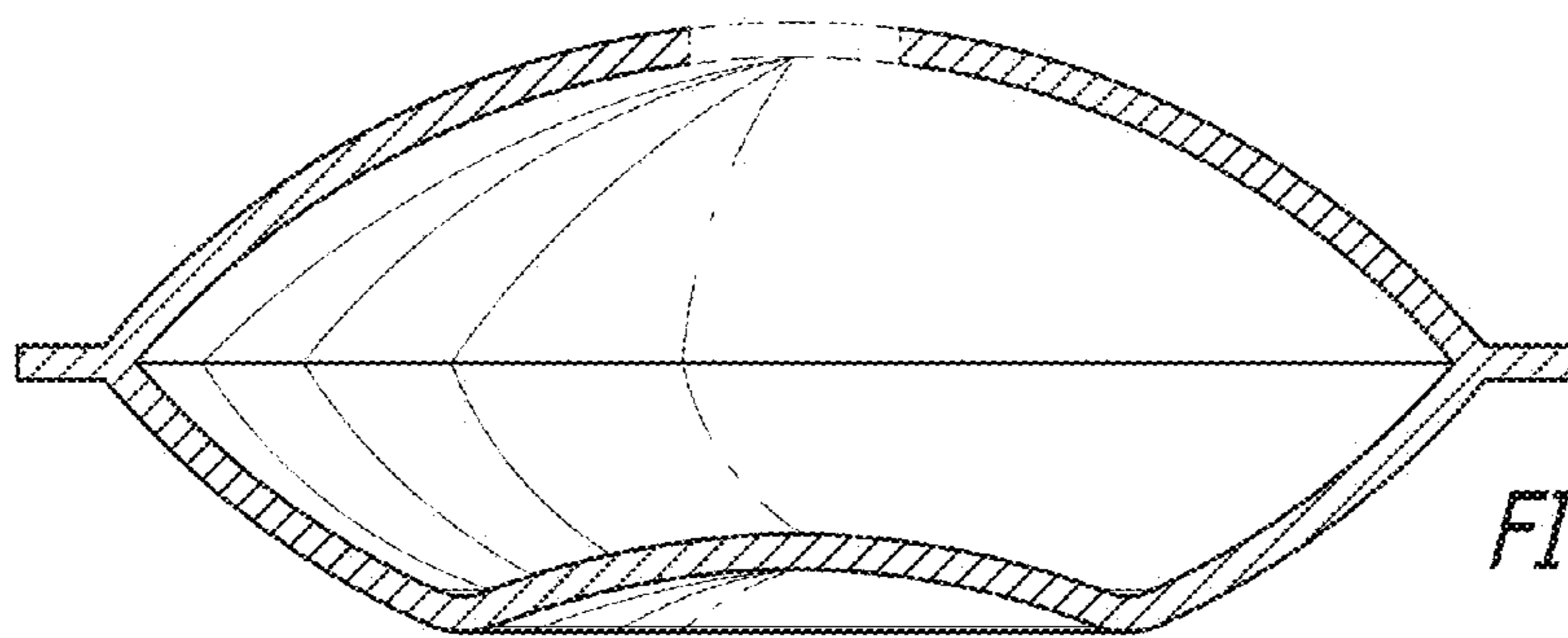


FIG. 5