



US00D739258S

(12) **United States Design Patent**
Mai

(10) **Patent No.:** **US D739,258 S**

(45) **Date of Patent:** **** Sep. 22, 2015**

(54) **LETTER SHAPED LIQUOR BOTTLE**

(71) Applicant: **Andy Nguyen Mai**, Seattle, WA (US)

(72) Inventor: **Andy Nguyen Mai**, Seattle, WA (US)

(**) Term: **14 Years**

(21) Appl. No.: **29/494,789**

(22) Filed: **Jun. 24, 2014**

(51) **LOC (10) Cl.** **09-01**

(52) **U.S. Cl.**
USPC **D9/667; D9/543; D9/546; D9/565;**
D9/566; D9/569; D9/570; D9/575

(58) **Field of Classification Search**

USPC **D9/600, 652, 667, 516, 520, 523,**
D9/541-546, 548, 559-561, 565-566,
D9/569-575; 206/457, 459.5, 527;
215/381-384, 400

CPC **B65D 81/365; B65D 81/60**
See application file for complete search history.

(56) **References Cited**

U.S. PATENT DOCUMENTS

D38,696 S *	7/1907	Nadaud	D9/667
D74,080 S *	12/1927	Swindell	D9/544
D155,021 S *	8/1949	Mayfield	D9/544
D194,810 S *	3/1963	DuPree	D9/544
D282,441 S *	2/1986	Shiokawa	D9/523
D338,154 S *	8/1993	Breneman et al.	D9/667
D356,262 S *	3/1995	Lathrop et al.	D9/523
D617,652 S *	6/2010	Katz et al.	D9/667
D644,932 S *	9/2011	Canturi	D9/548
D693,227 S *	11/2013	Gonzalez Rodriguez	D9/544
2003/0141269 A1	7/2003	Roderick		

OTHER PUBLICATIONS

Box Vox, "ABC Bottles", Feb. 22, 2012, available at <http://www.beachpackagingdesign.com/wp/2012/02/abc-bottles.html>.

* cited by examiner

Primary Examiner — Sandra Morris

(74) *Attorney, Agent, or Firm* — Lee & Hayes, PLLC

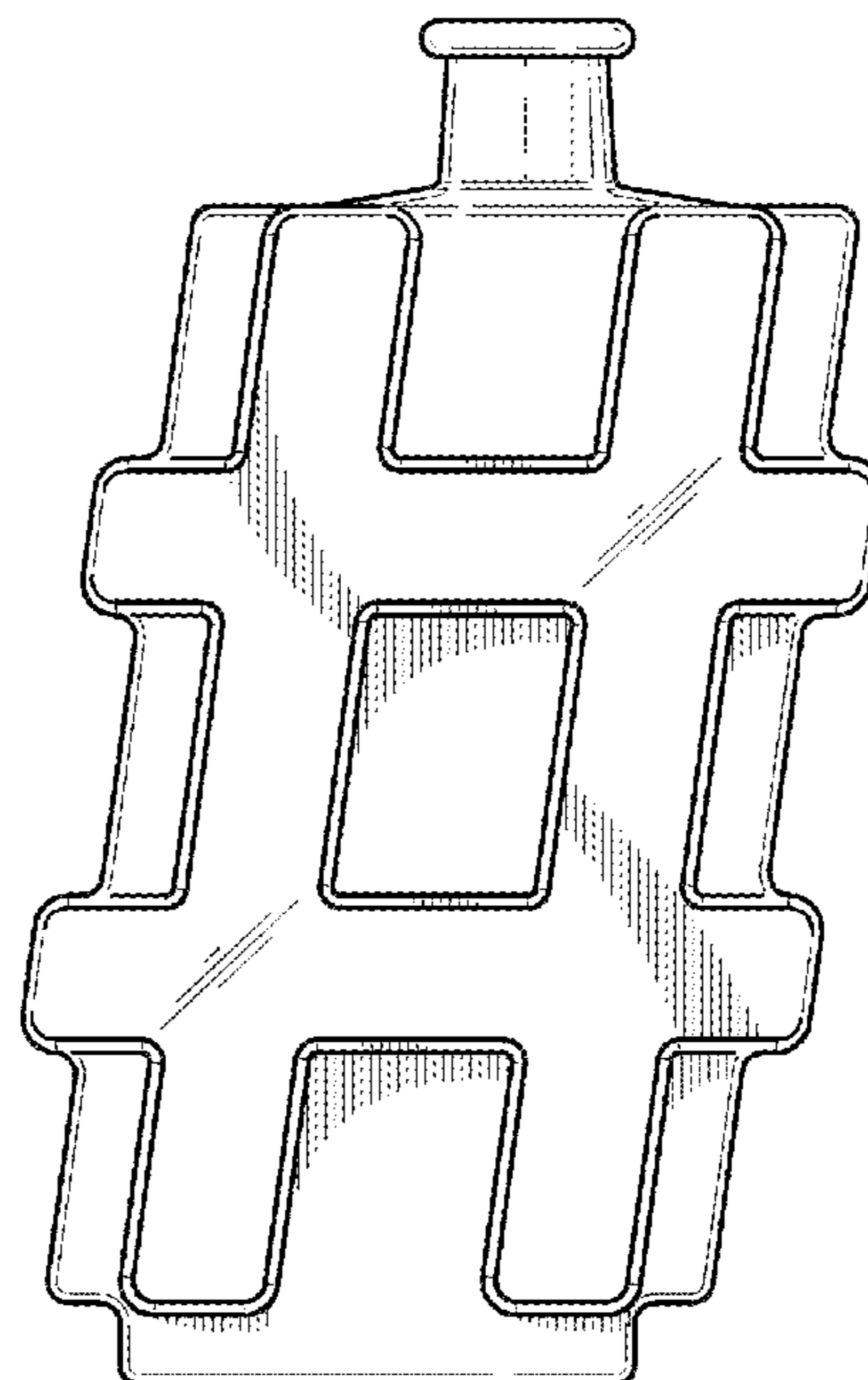
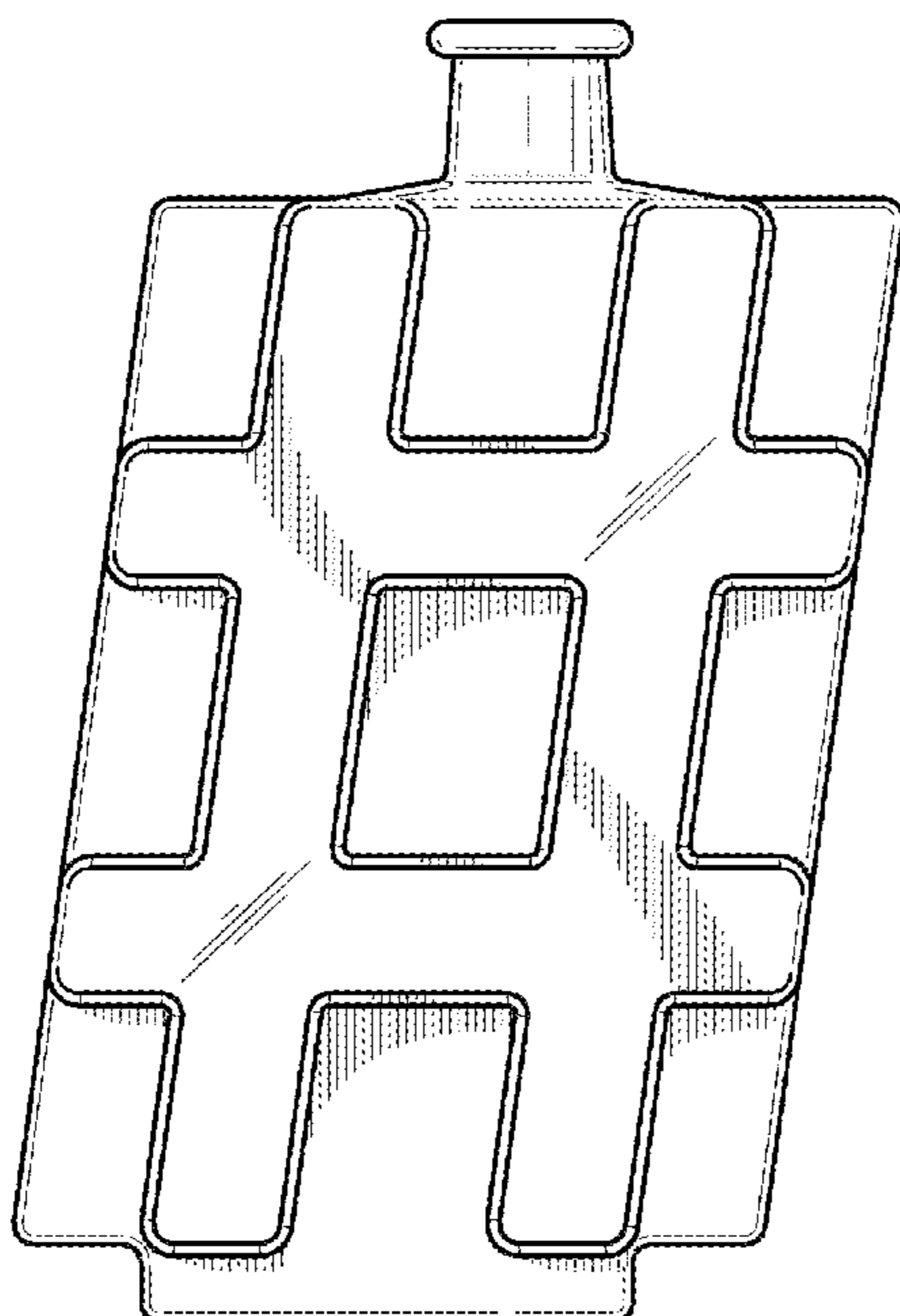
(57) **CLAIM**

The ornamental design for letter shaped liquor bottle, as shown and described.

DESCRIPTION

FIG. 1 is a perspective view of the letter shaped liquor bottle, showing my new design;
FIG. 2 is a front view thereof;
FIG. 3 is a right view thereof;
FIG. 4 is a left view thereof
FIG. 5 is a top view thereof;
FIG. 6 is a bottom view thereof;
FIG. 7 is a perspective view of an alternative embodiment of the letter shaped liquor bottle, showing my new design;
FIG. 8 is a front view thereof;
FIG. 9 is a right view thereof;
FIG. 10 is a left view thereof;
FIG. 11 is a top view thereof; and,
FIG. 12 is a bottom view thereof.
Any broken lines in the figures are shown for illustrative purposes only and form no part of the claimed design.

1 Claim, 6 Drawing Sheets



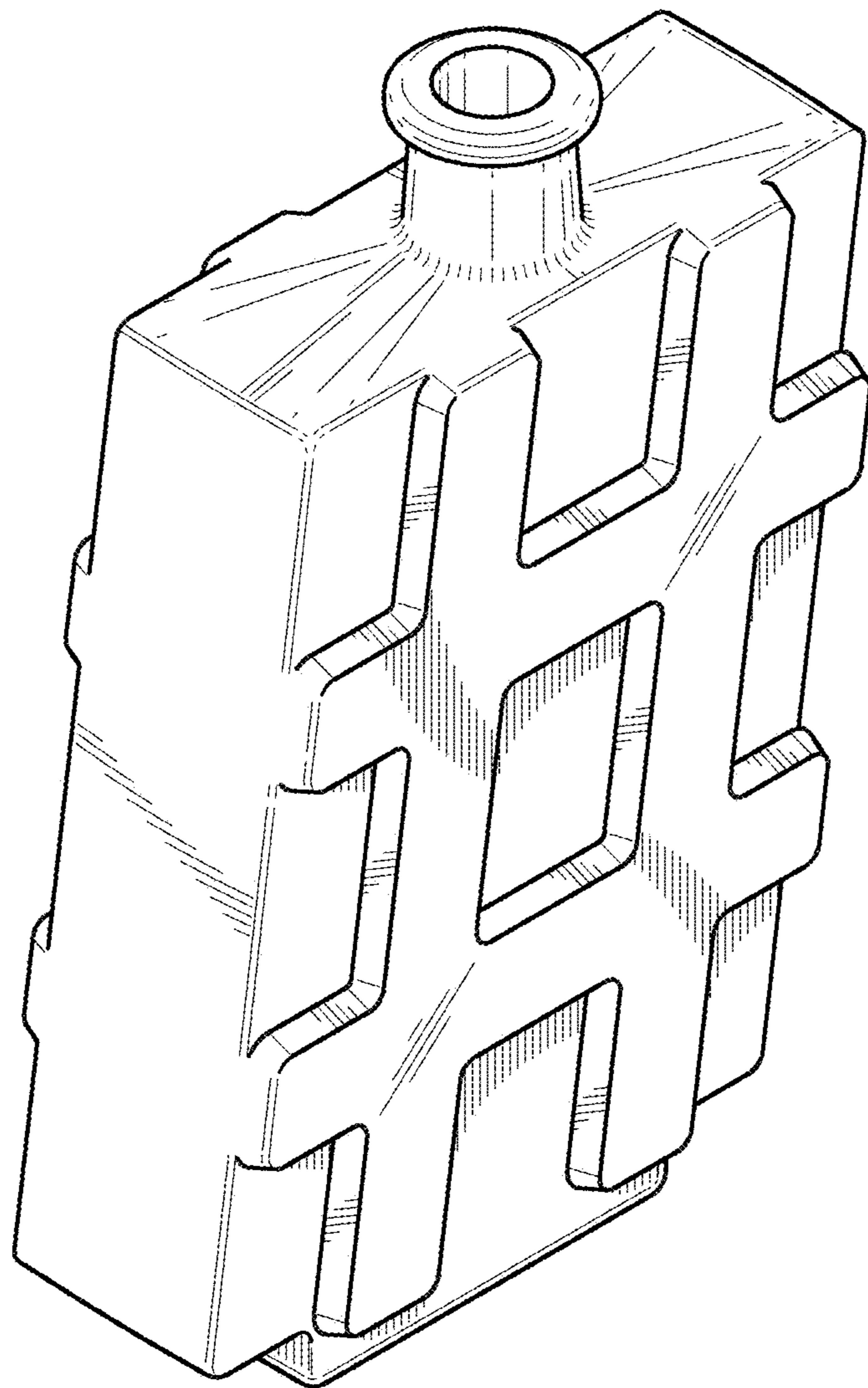


FIG. 1

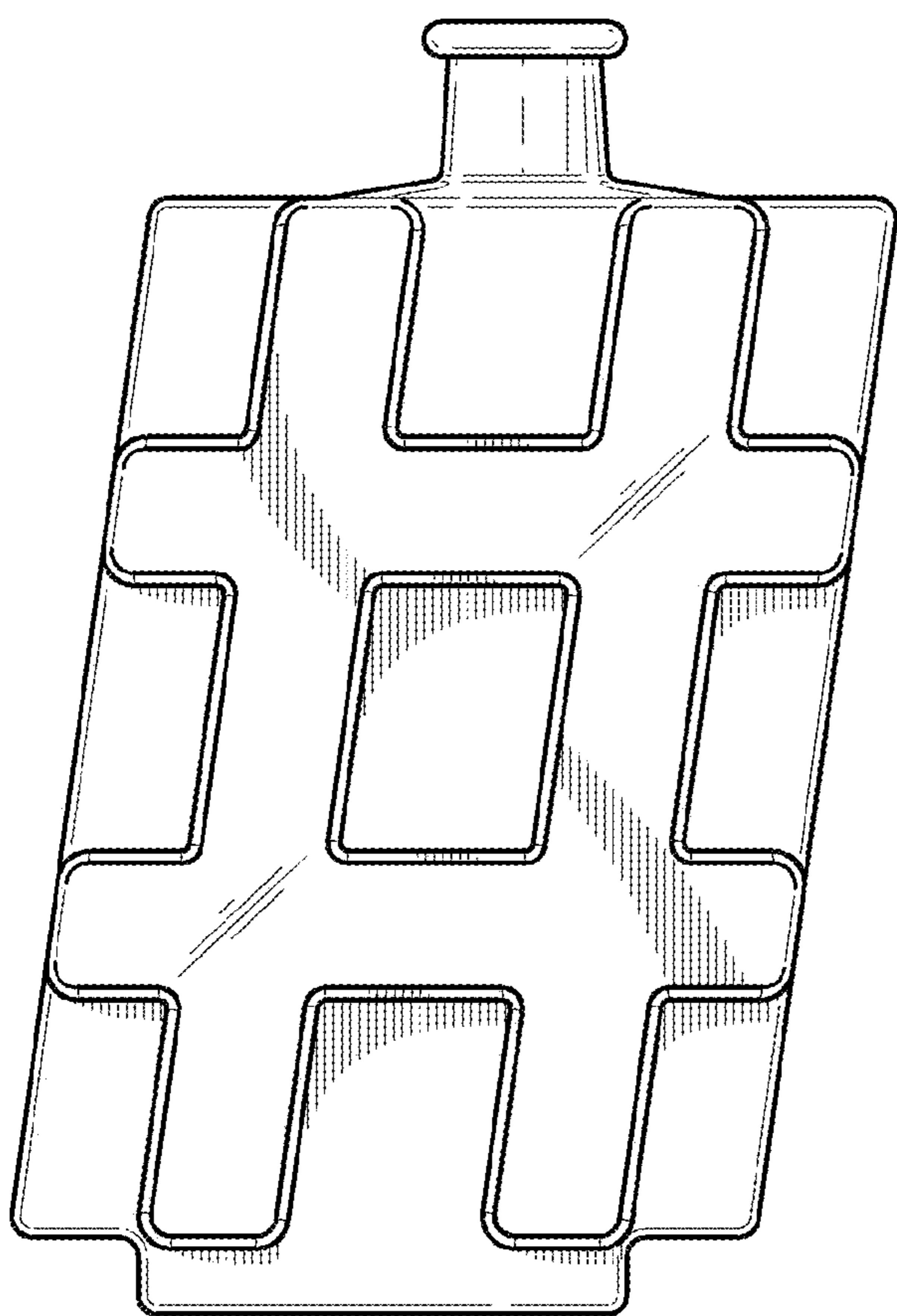


FIG. 2

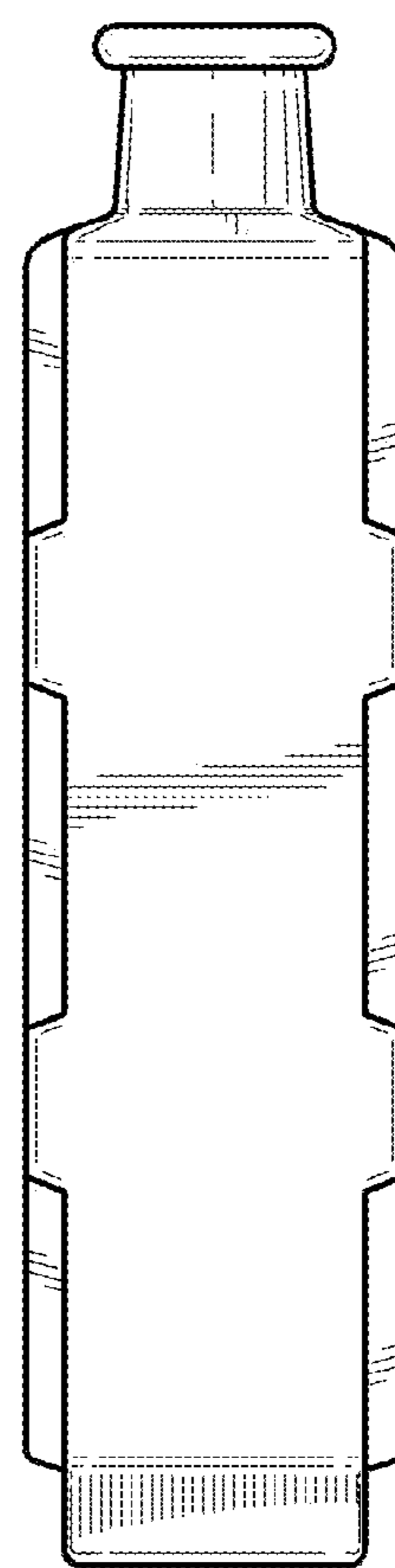


FIG. 3

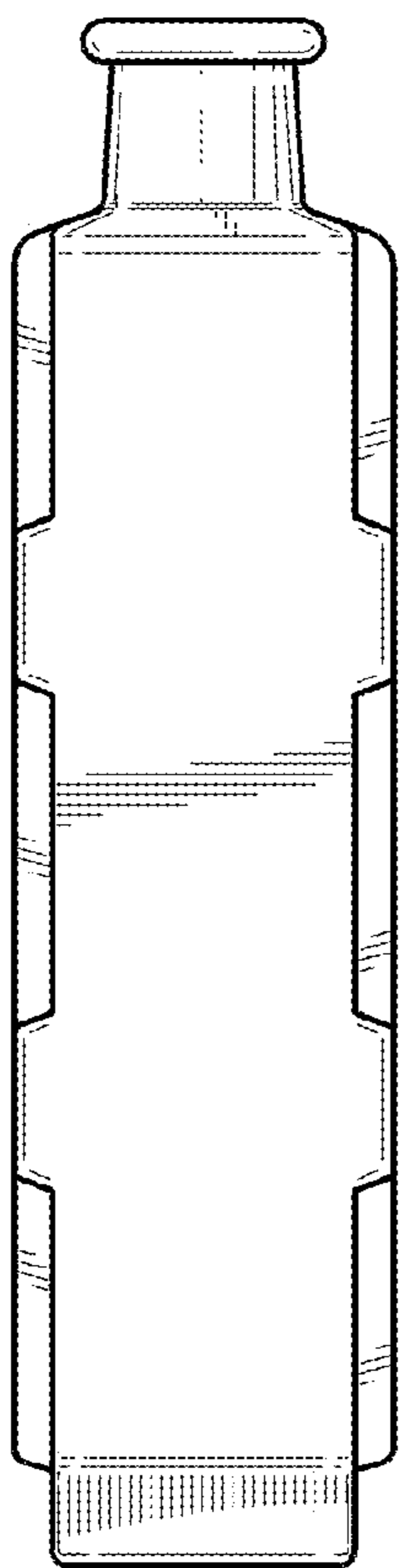


FIG. 4

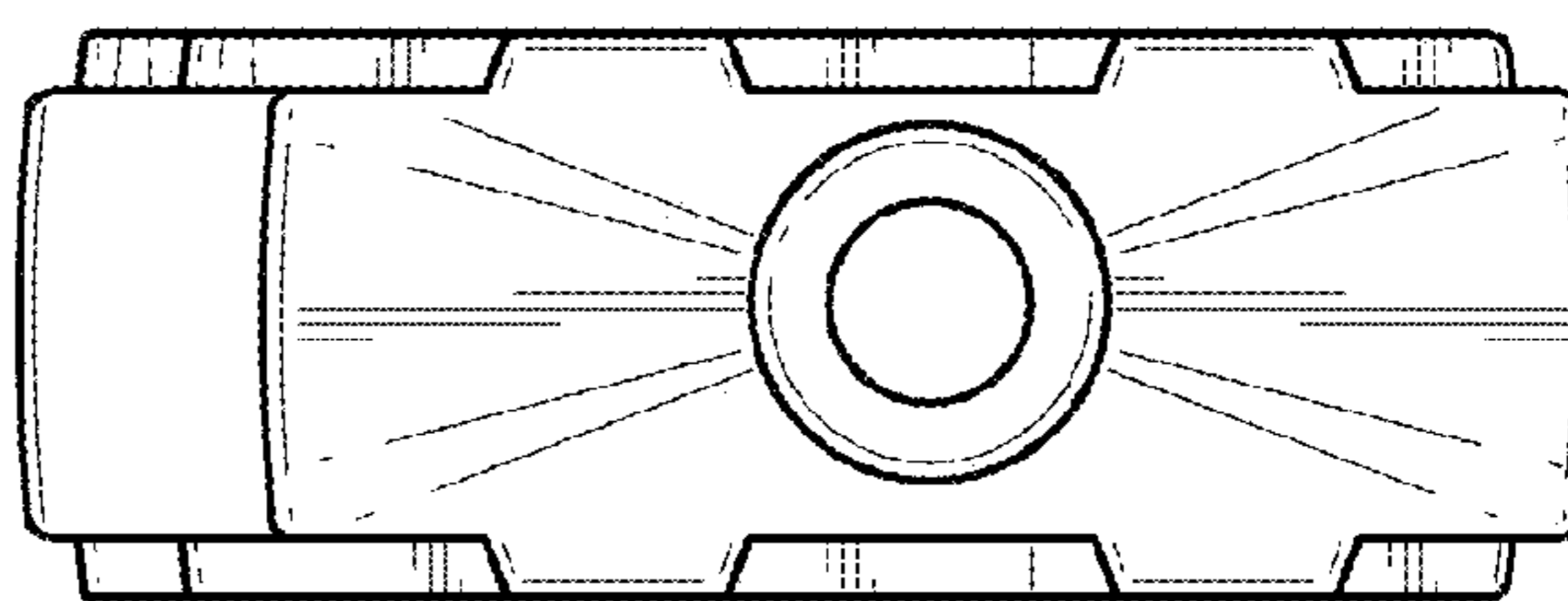


FIG. 5

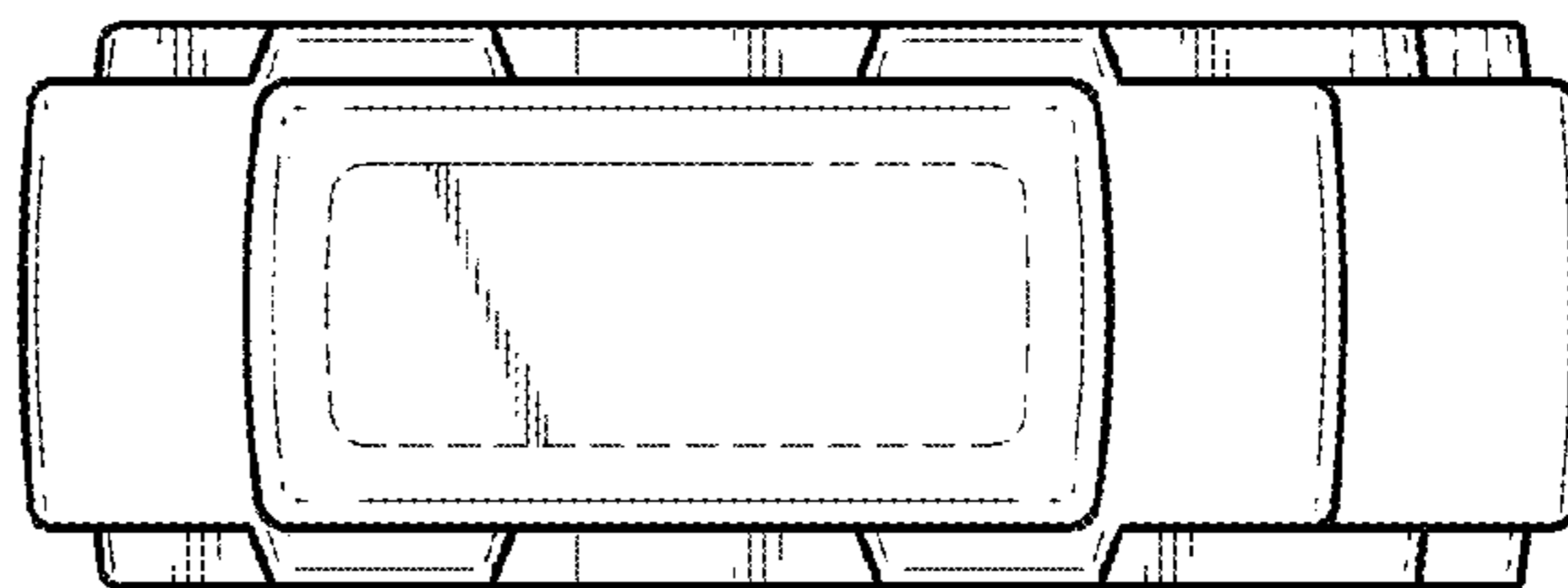


FIG. 6

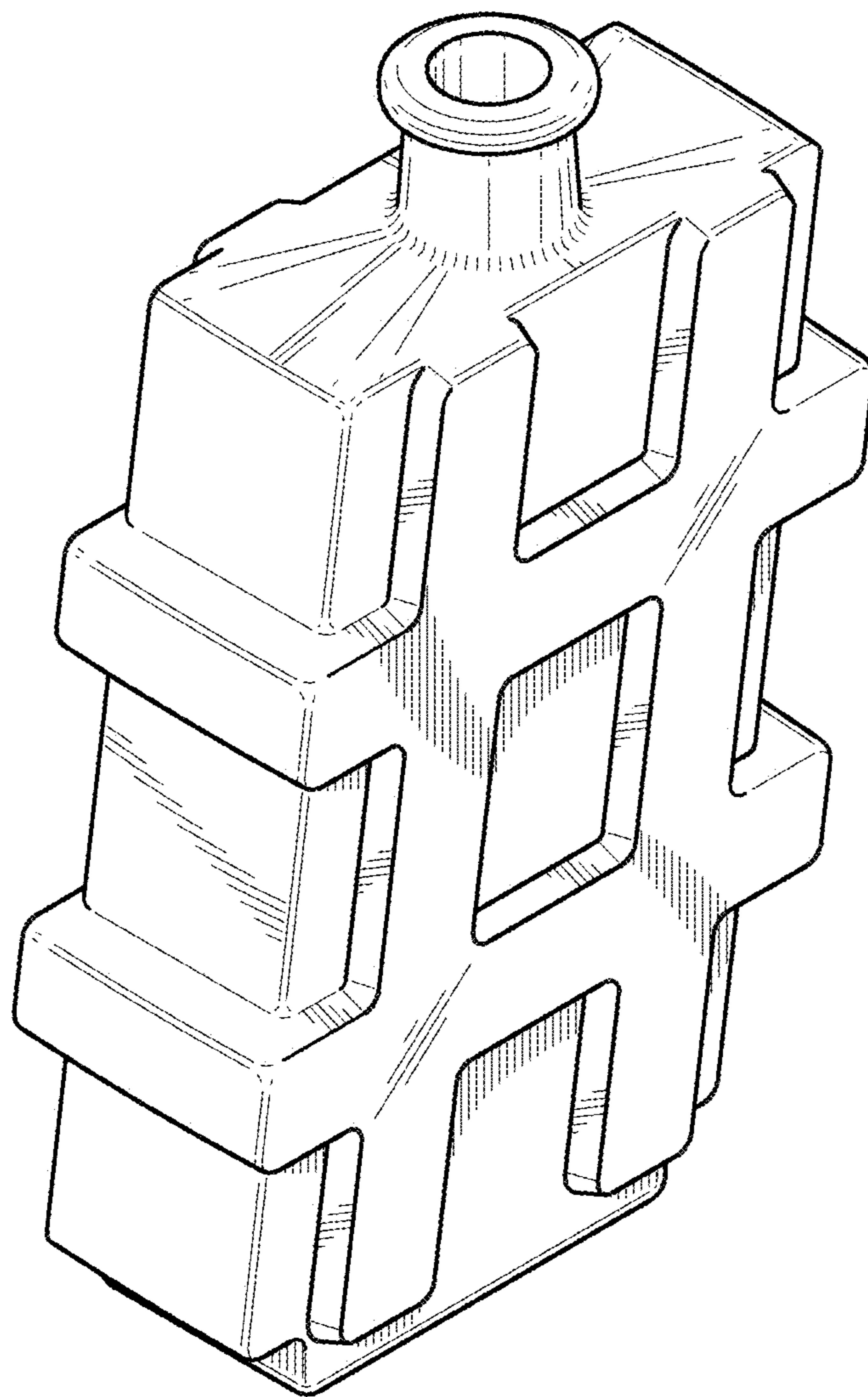


FIG. 7

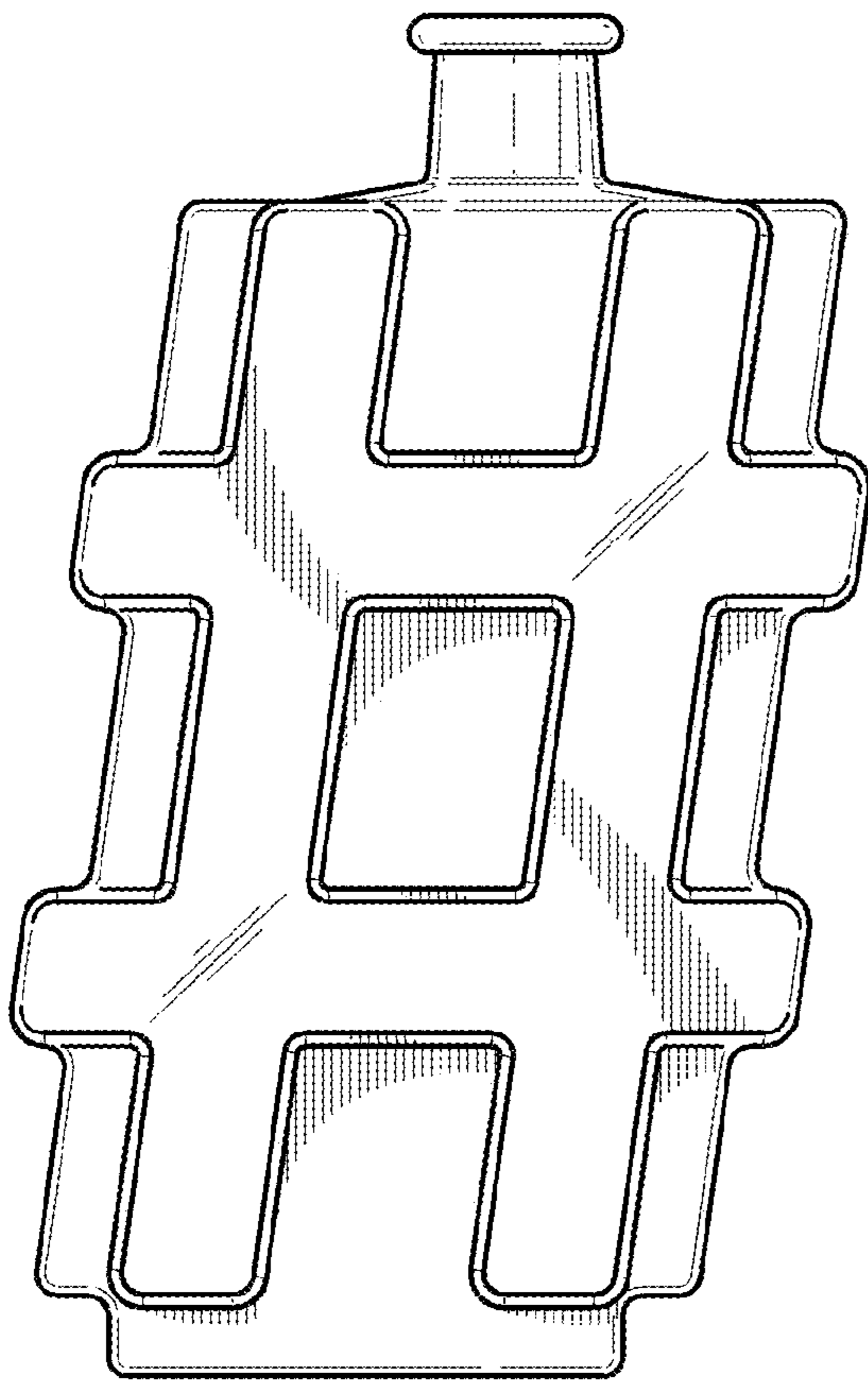


FIG. 8

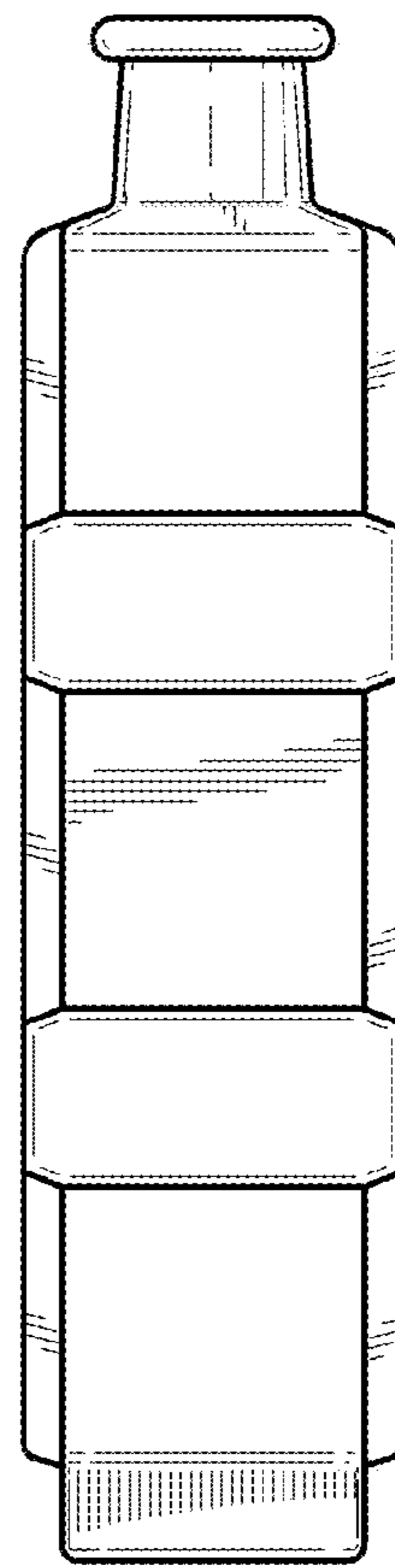


FIG. 9

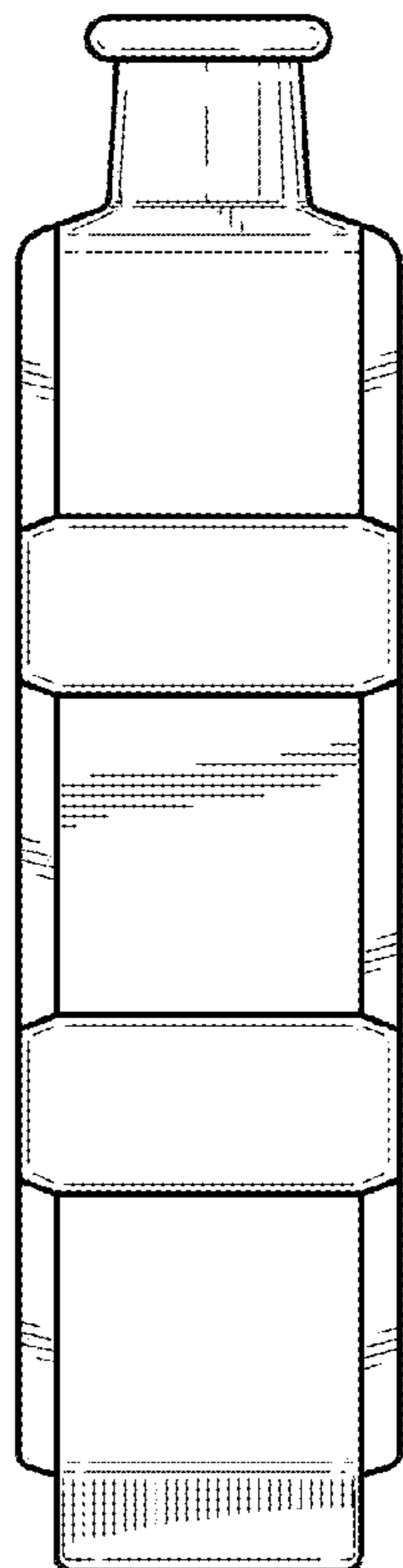


FIG. 11

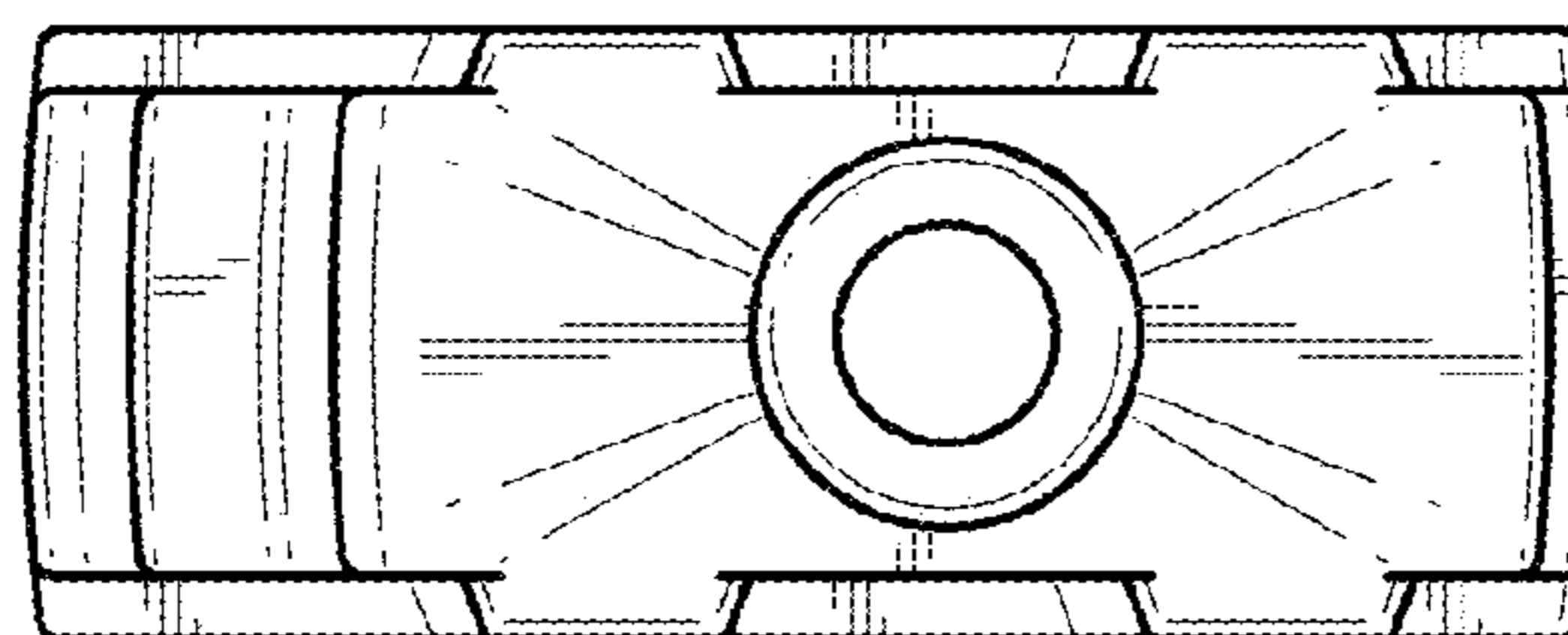


FIG. 10

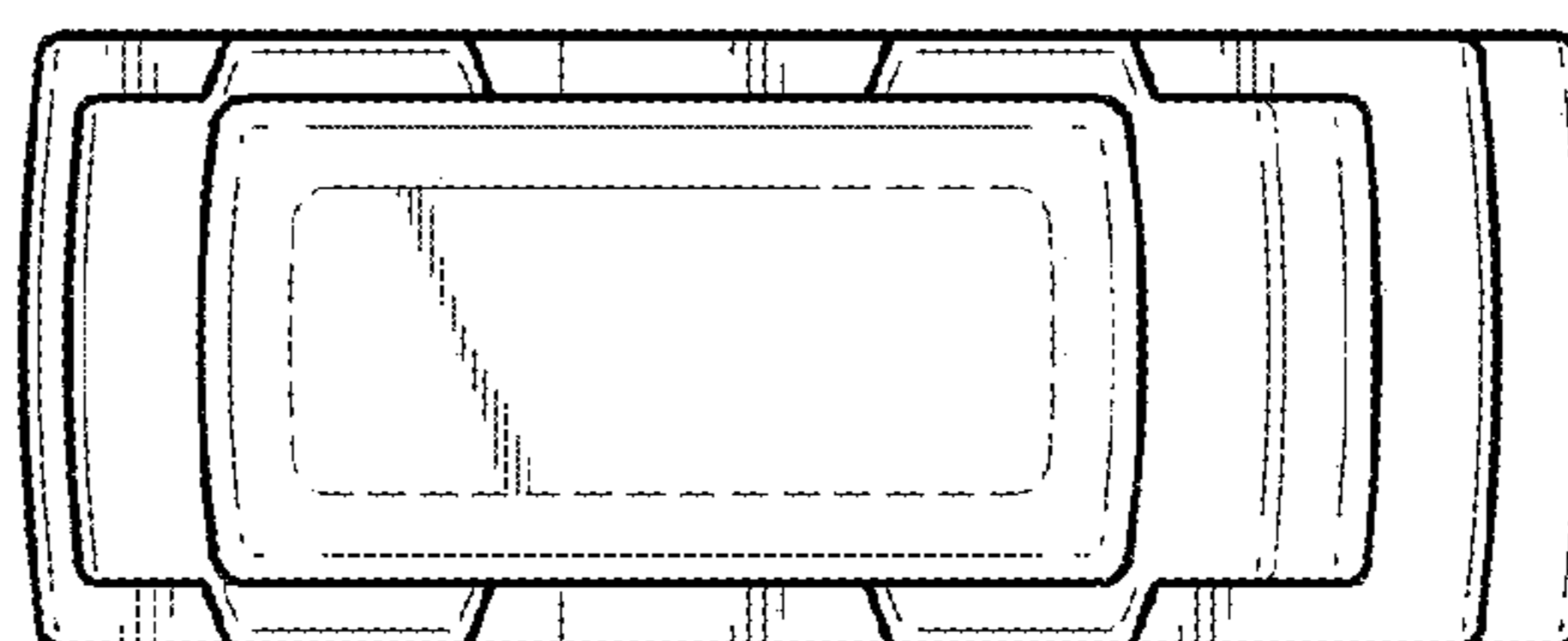


FIG. 12