

US00D739257S

(12) **United States Design Patent**  
**Mai**

(10) **Patent No.:** **US D739,257 S**

(45) **Date of Patent:** **\*\* Sep. 22, 2015**

(54) **LETTER SHAPED LIQUOR BOTTLE**

(71) Applicant: **Andy Nguyen Mai**, Seattle, WA (US)

(72) Inventor: **Andy Nguyen Mai**, Seattle, WA (US)

(\*\*) Term: **14 Years**

(21) Appl. No.: **29/491,740**

(22) Filed: **May 23, 2014**

(51) **LOC (10) Cl.** ..... **09-01**

(52) **U.S. Cl.**  
USPC ..... **D9/652**

(58) **Field of Classification Search**  
USPC ..... D9/600, 652, 667, 516, 520, 523,  
D9/541-546, 548, 559-561, 565-566,  
D9/569-575; 206/457, 459.5, 527;  
215/381-384, 400

CPC ..... B65D 81/365; B65D 81/60  
See application file for complete search history.

(56) **References Cited**

**U.S. PATENT DOCUMENTS**

D117,605 S *	11/1939	Blunt	.....	D9/652
D311,866 S *	11/1990	Karlin	.....	D9/523
D380,960 S *	7/1997	Blotsky	.....	D9/652
D412,851 S *	8/1999	Nosella	.....	D9/548
D466,410 S *	12/2002	De Baschmakoff	.....	D9/516
D656,838 S *	4/2012	Mouquet	.....	D9/652
D687,313 S *	8/2013	Limback	.....	D9/652

D693,695 S *	11/2013	Limback	.....	D9/652
D694,644 S *	12/2013	Limback	.....	D9/652
D695,625 S *	12/2013	Limback	.....	D9/652
D697,813 S *	1/2014	Limback	.....	D9/652
2003/0141269 A1	7/2003	Roderick		

**OTHER PUBLICATIONS**

Box Vox, "ABC Bottles", Feb. 22, 2012, available at <http://www.beachpackagingdesign.com/wp/2012/02/abc-bottles.html>.

\* cited by examiner

*Primary Examiner* — Sandra Morris

(74) *Attorney, Agent, or Firm* — Lee & Hayes, PLLC

(57) **CLAIM**

The ornamental design for letter shaped liquor bottle, as shown and described.

**DESCRIPTION**

FIG. 1 is a perspective view of the letter shaped liquor bottle, showing my new design;

FIG. 2 is a front view thereof;

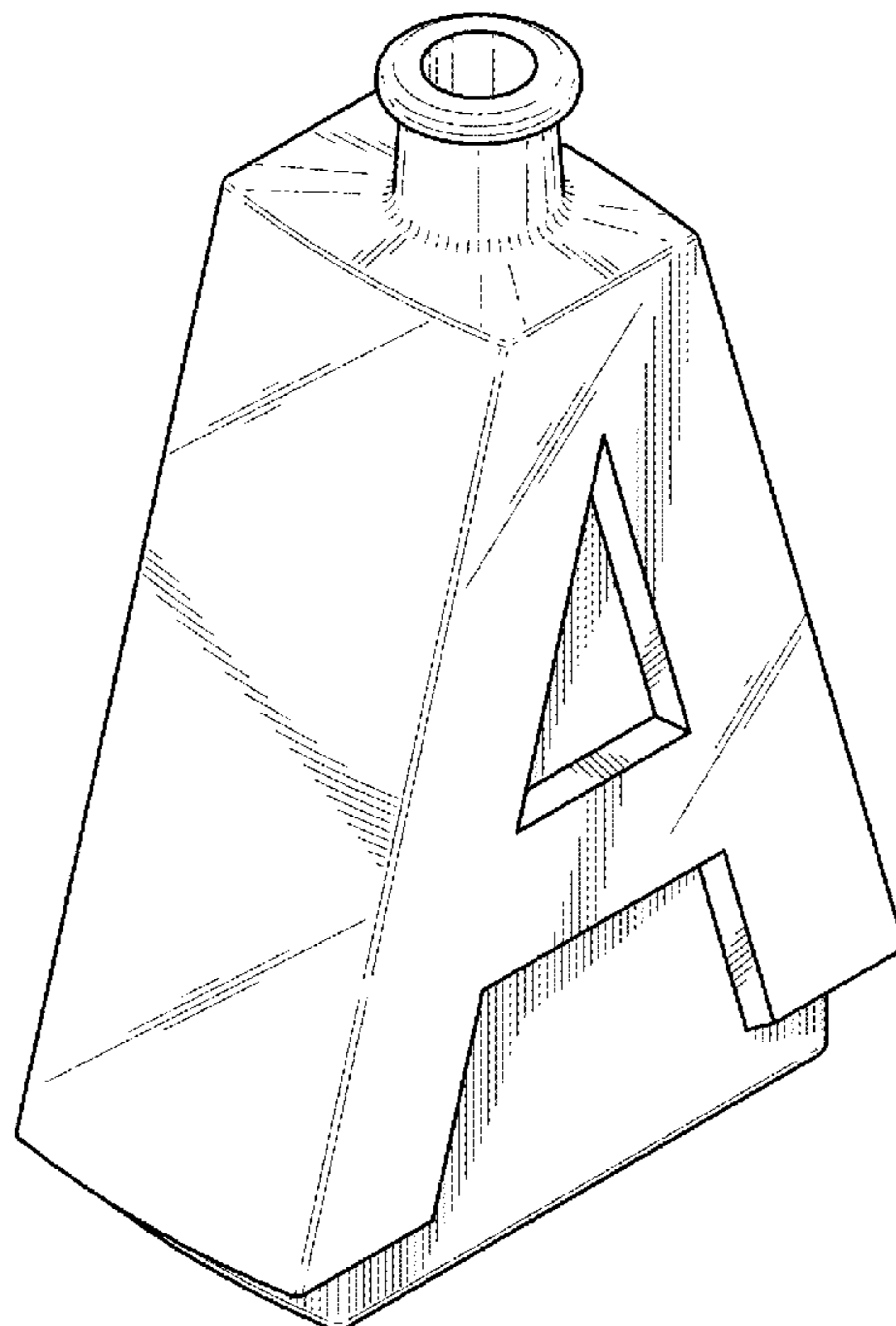
FIG. 3 is a right view thereof, being similar to a left view thereof;

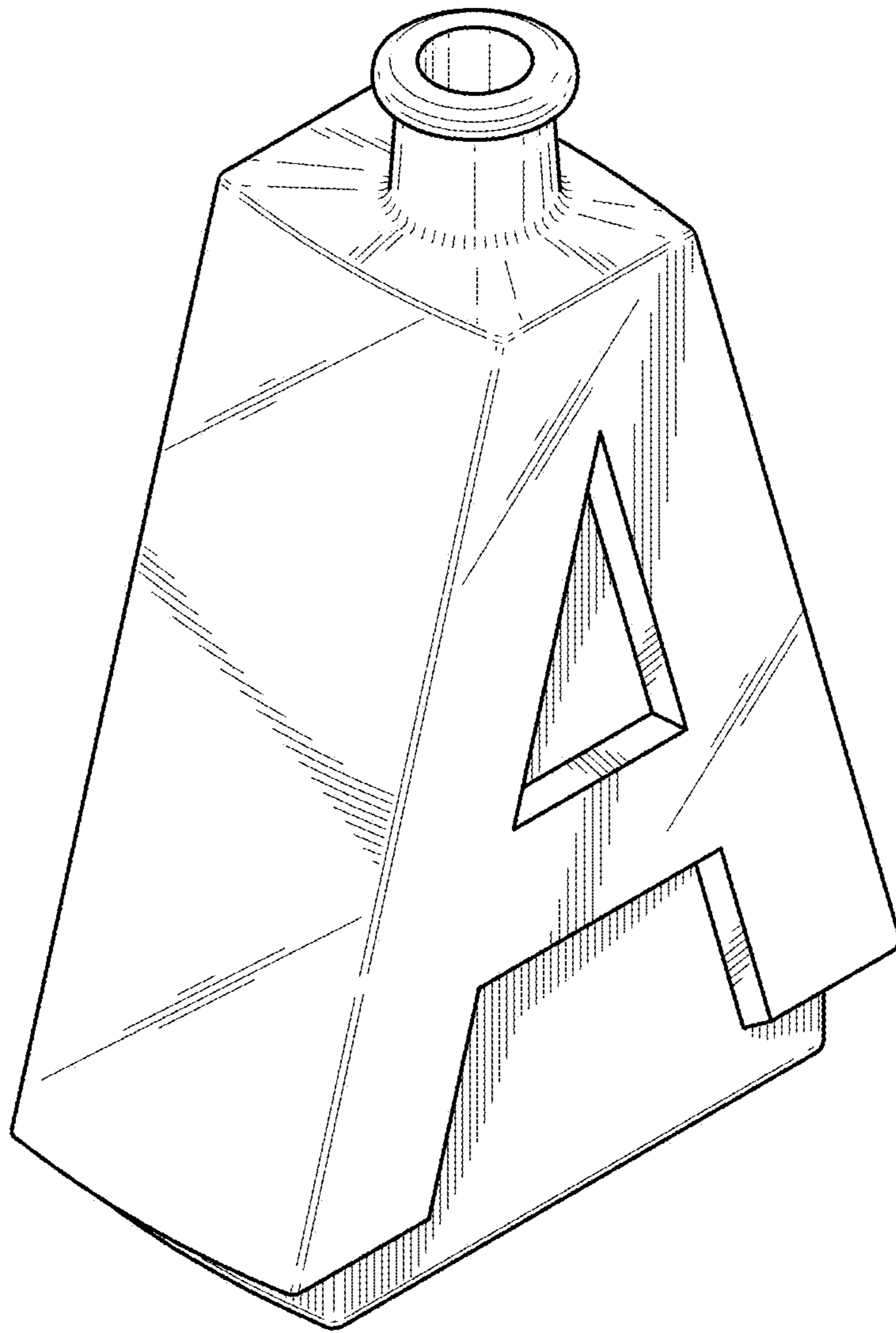
FIG. 4 is a left view thereof; and,

FIG. 5 is a top view thereof.

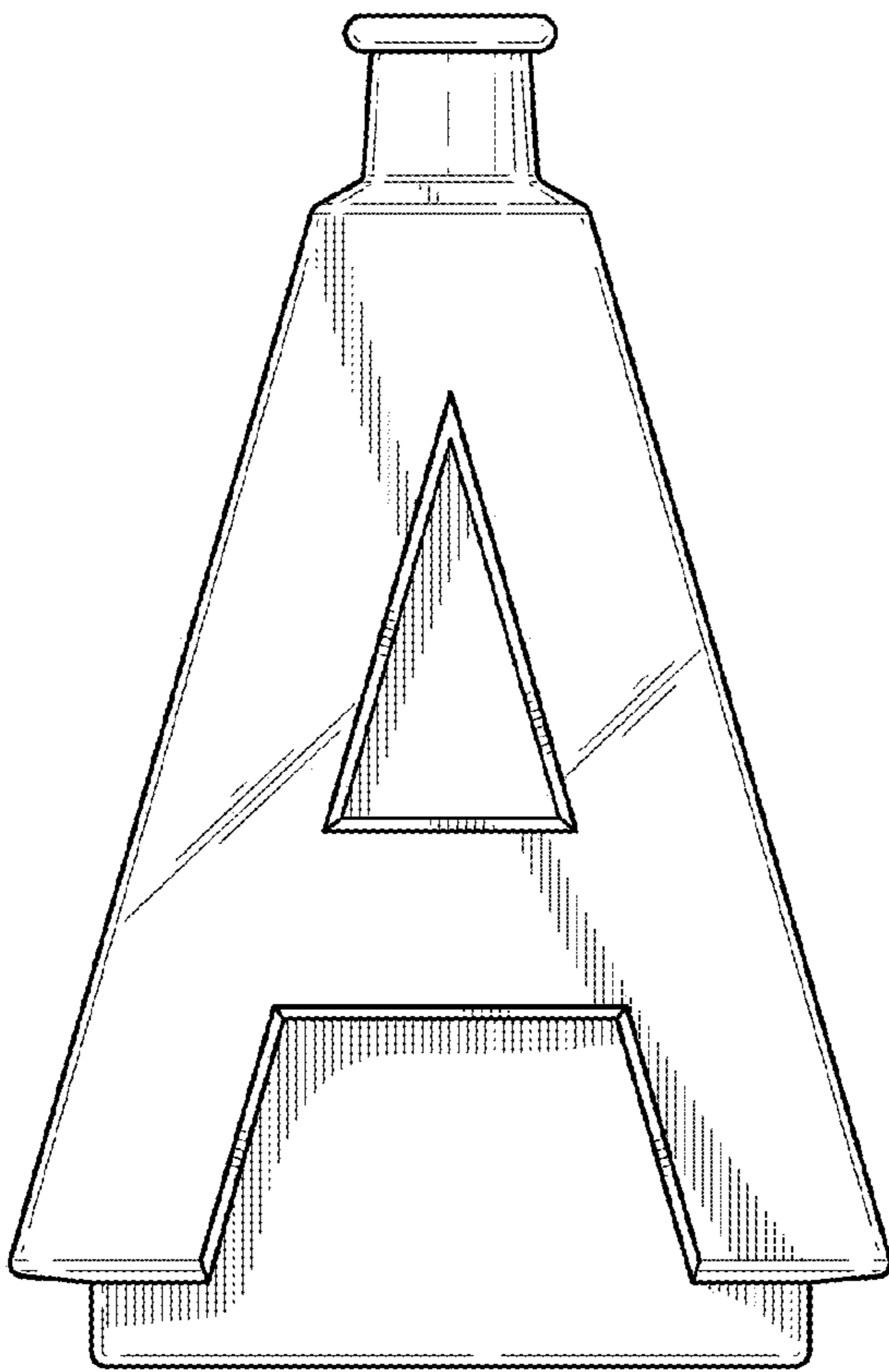
Any broken lines in the figures are shown for illustrative purposes only and form no part of the claimed design.

**1 Claim, 3 Drawing Sheets**

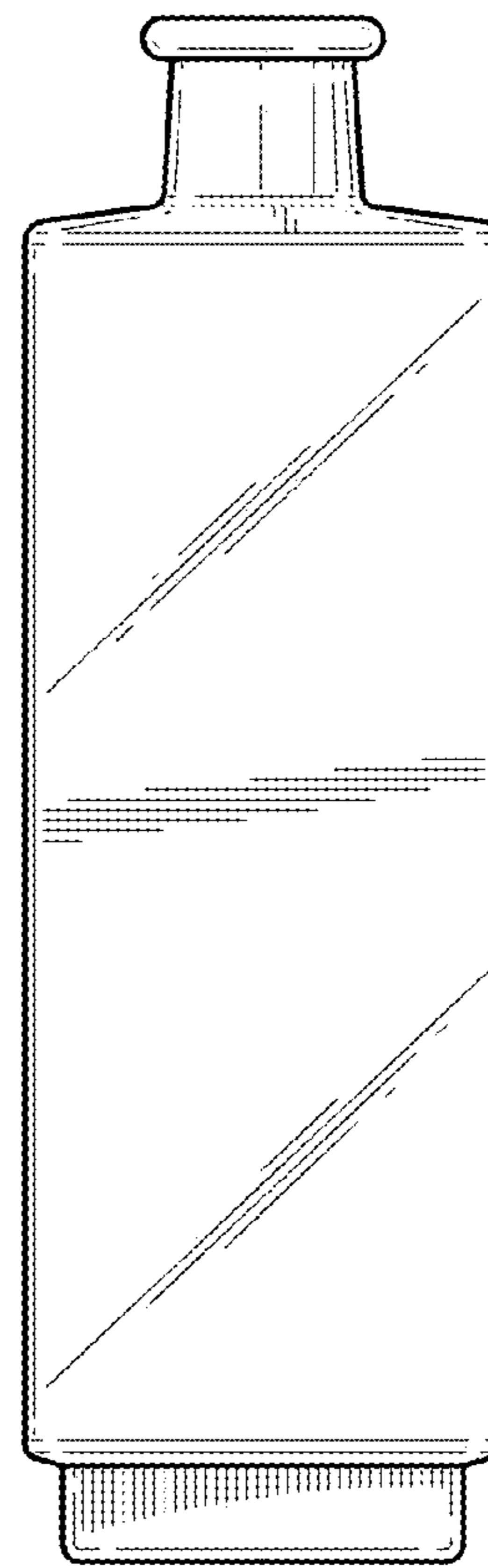




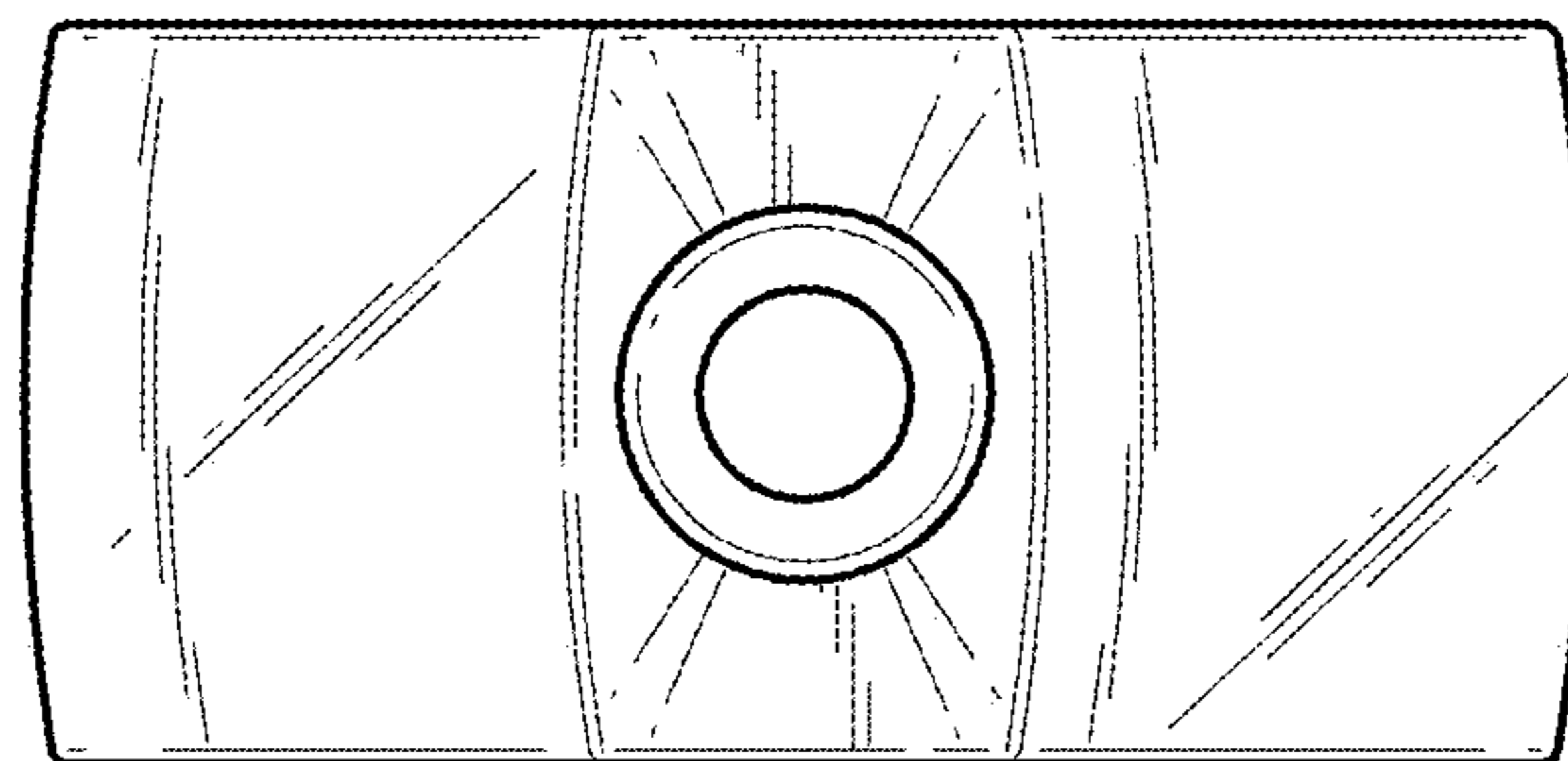
***FIG. 1***



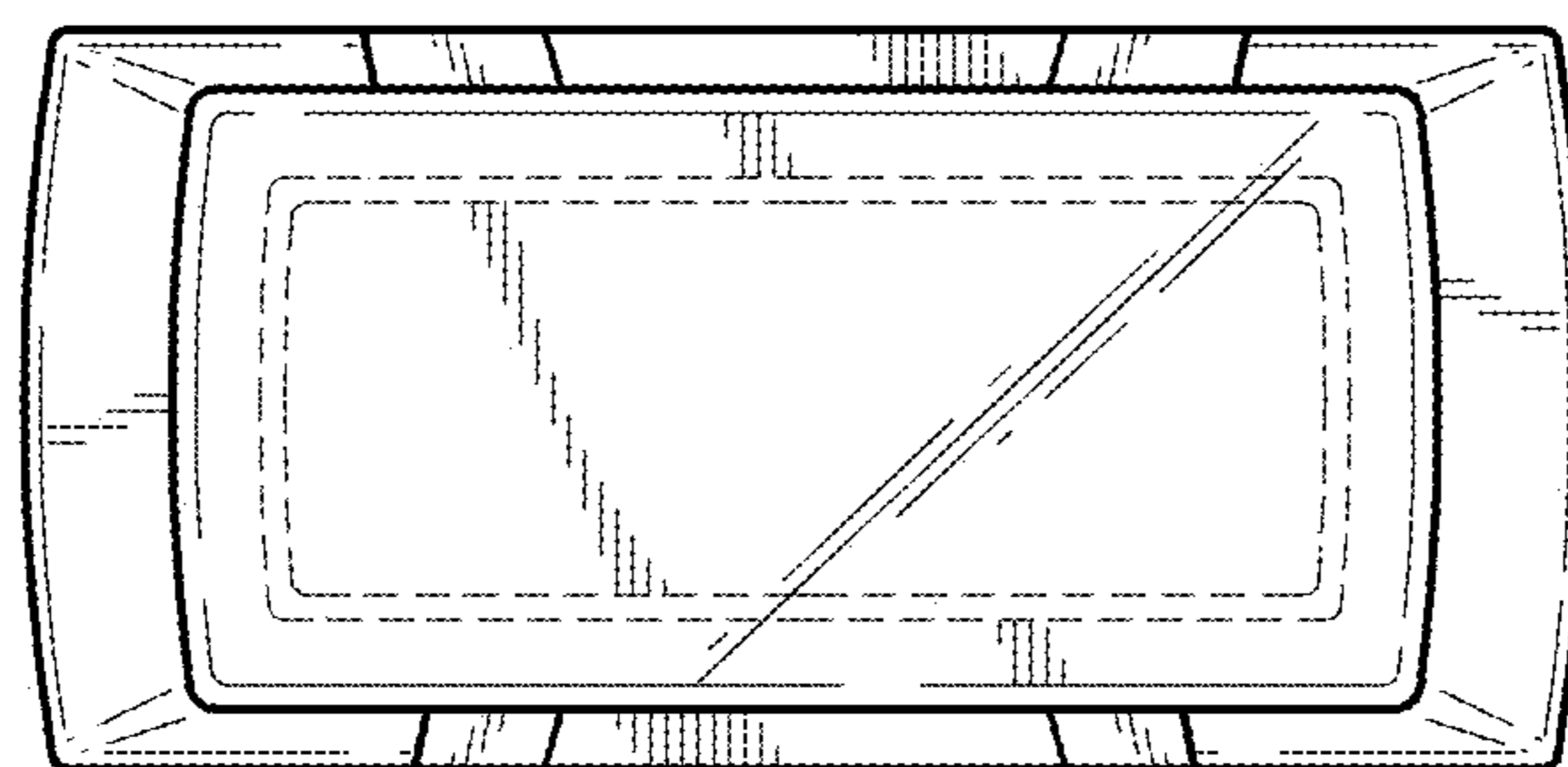
*FIG. 2*



*FIG. 3*



**FIG. 4**



**FIG. 5**