



US00D739255S

(12) **United States Design Patent**
Seys

(10) **Patent No.:** **US D739,255 S**
(45) **Date of Patent:** **** Sep. 22, 2015**

(54) **BOTTLE**

(71) Applicant: **Philippe Seys**, Saint Saturnin (FR)

(72) Inventor: **Philippe Seys**, Saint Saturnin (FR)

(**) Term: **14 Years**

(21) Appl. No.: **29/511,255**

(22) Filed: **Dec. 9, 2014**

(30) **Foreign Application Priority Data**

Jun. 9, 2014 (EM) 002479063-0001

(51) **LOC (10) Cl.** **09-01**

(52) **U.S. Cl.**
USPC **D9/616**; D9/639; D21/623; D21/639

(58) **Field of Classification Search**
USPC D9/600, 614-624; 206/494, 457, 527,
206/540, 830; 215/400; 220/260, 890;
229/116.1, 116.2; D7/514-519, 619.2,
D7/628; D21/623, 639
CPC B65D 2203/00; B65D 2203/02; B65D
5/4258; B65D 81/368; B65D 81/60; A63H
33/16

See application file for complete search history.

(56) **References Cited**

U.S. PATENT DOCUMENTS

D244,218 S * 5/1977 Raviscioni D21/639
D365,500 S * 12/1995 Hansen et al. D9/504
D405,356 S * 2/1999 Mishanin D9/627
D483,819 S * 12/2003 Pino D21/623
D616,761 S * 6/2010 Seys D9/616

* cited by examiner

Primary Examiner — Sandra Morris

(74) *Attorney, Agent, or Firm* — Ladas & Parry LLP

(57) **CLAIM**

The ornamental design for a bottle, as shown and described.

DESCRIPTION

FIG. 1 is a front perspective view showing my new design;
FIG. 2 is a top plan view thereof;
FIG. 3 is a bottom plan view thereof;
FIG. 4 is front elevational view thereof;
FIG. 5 is rear elevational view thereof;
FIG. 6 is a right side elevational view thereof; and,
FIG. 7 is a left side elevational view thereof.

1 Claim, 3 Drawing Sheets

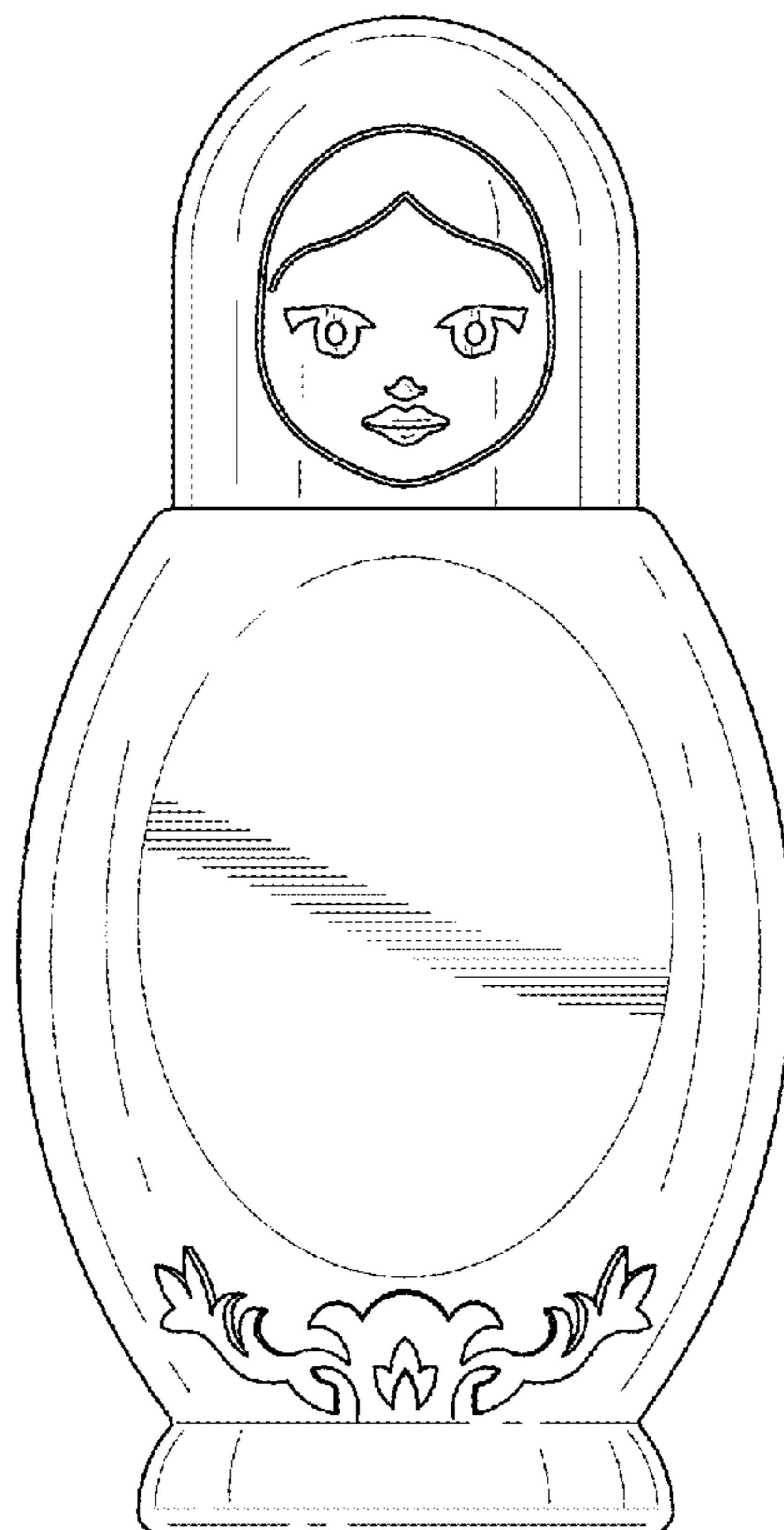


FIG. 1

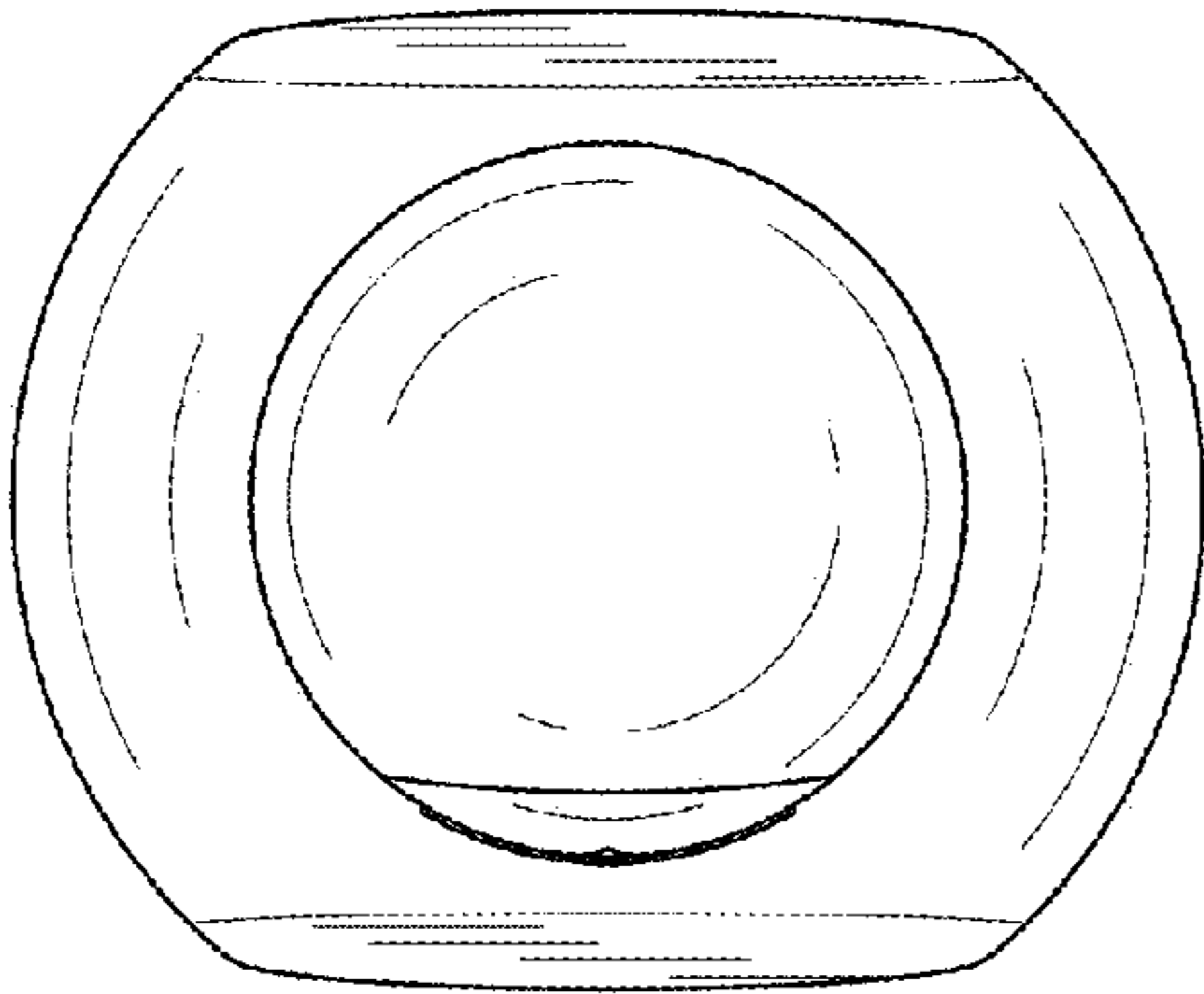
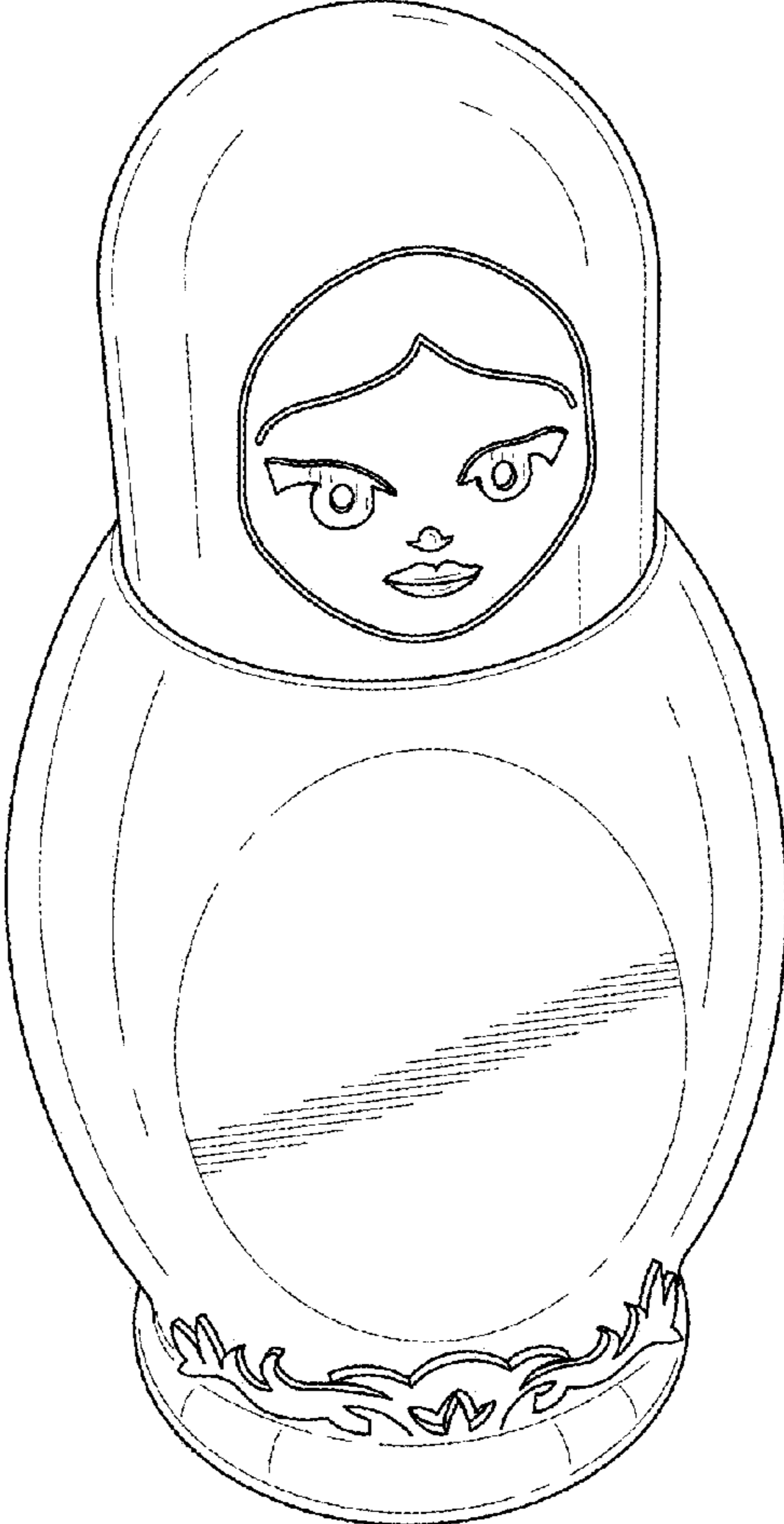


FIG. 2

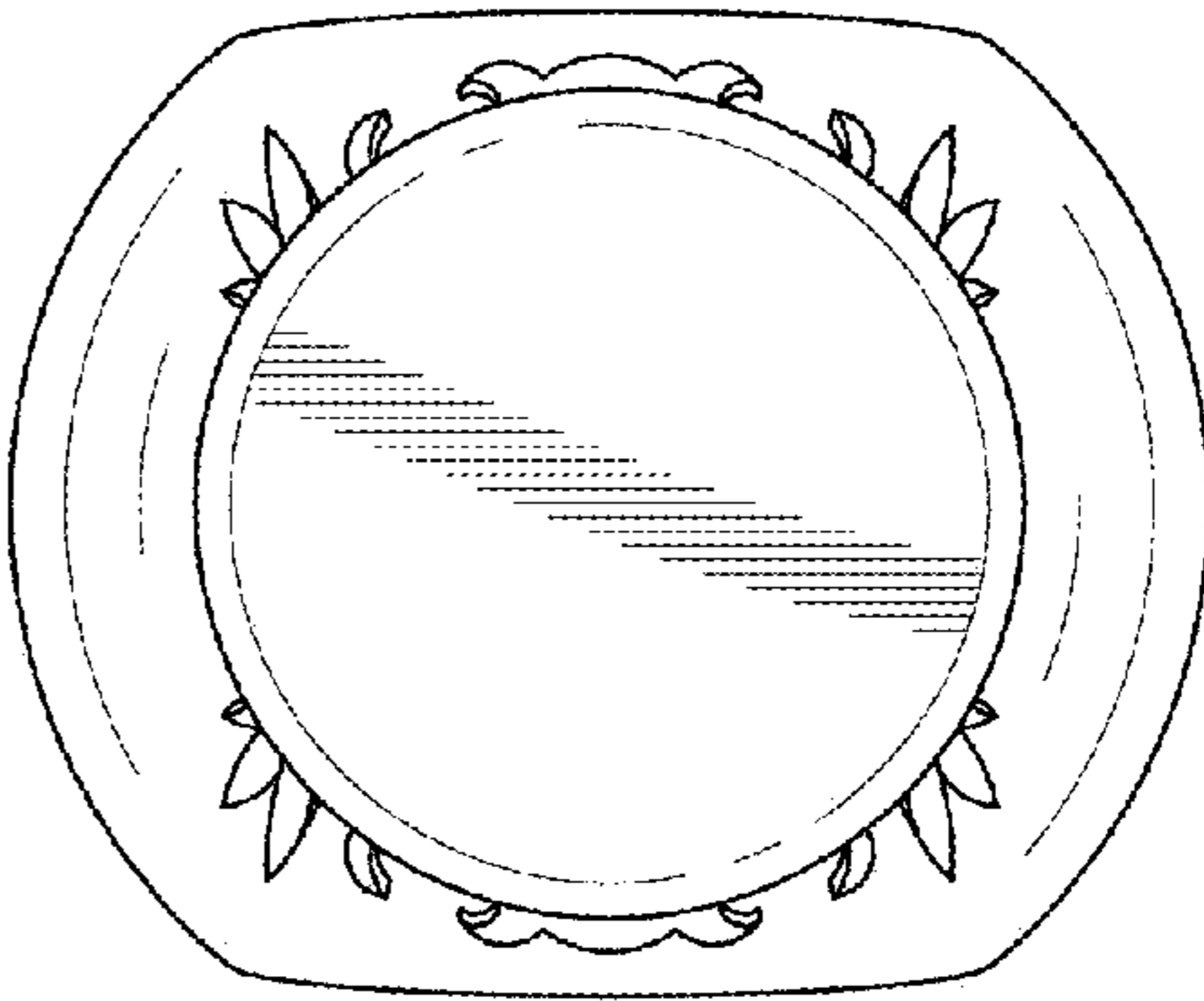


FIG. 3

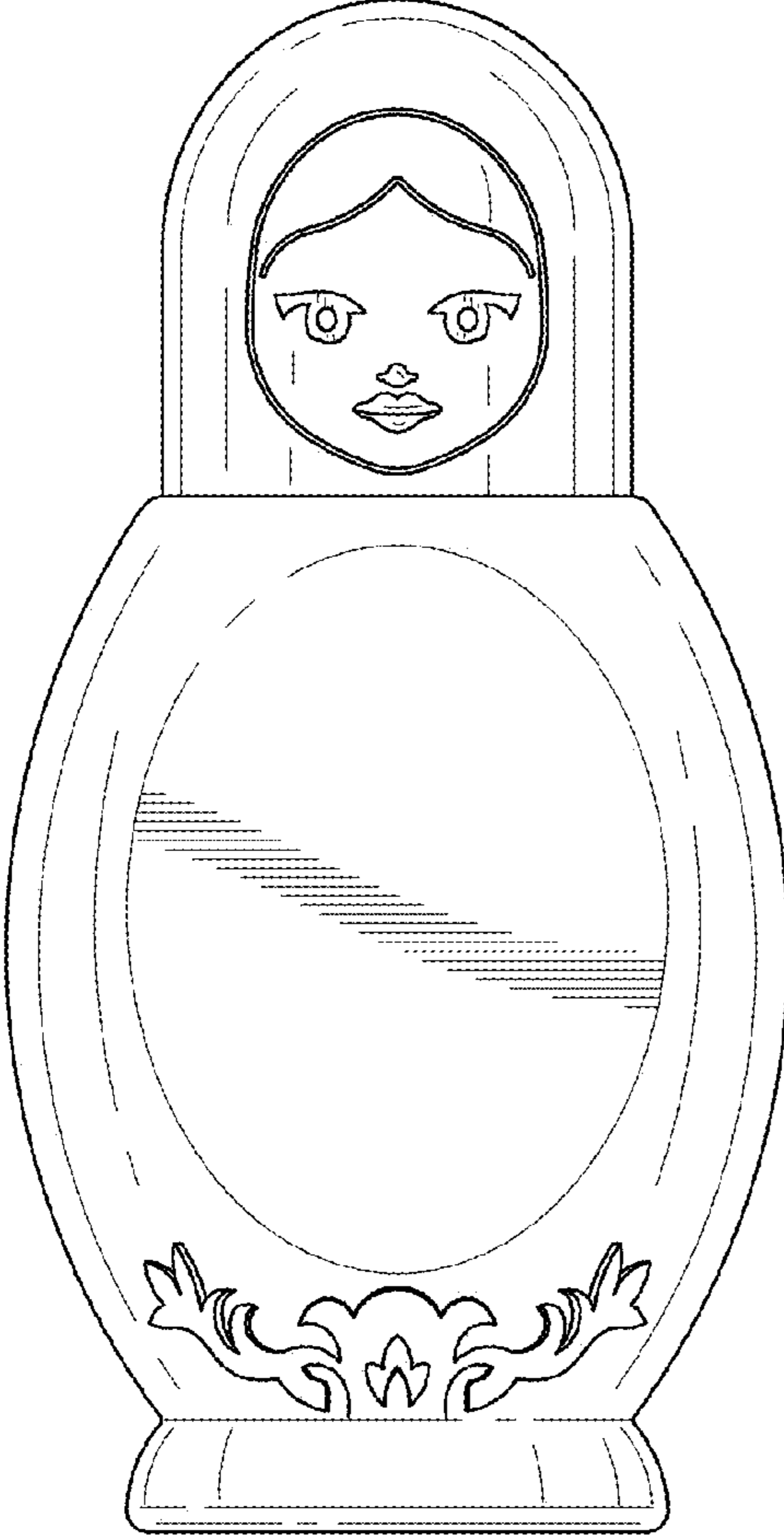


FIG. 4

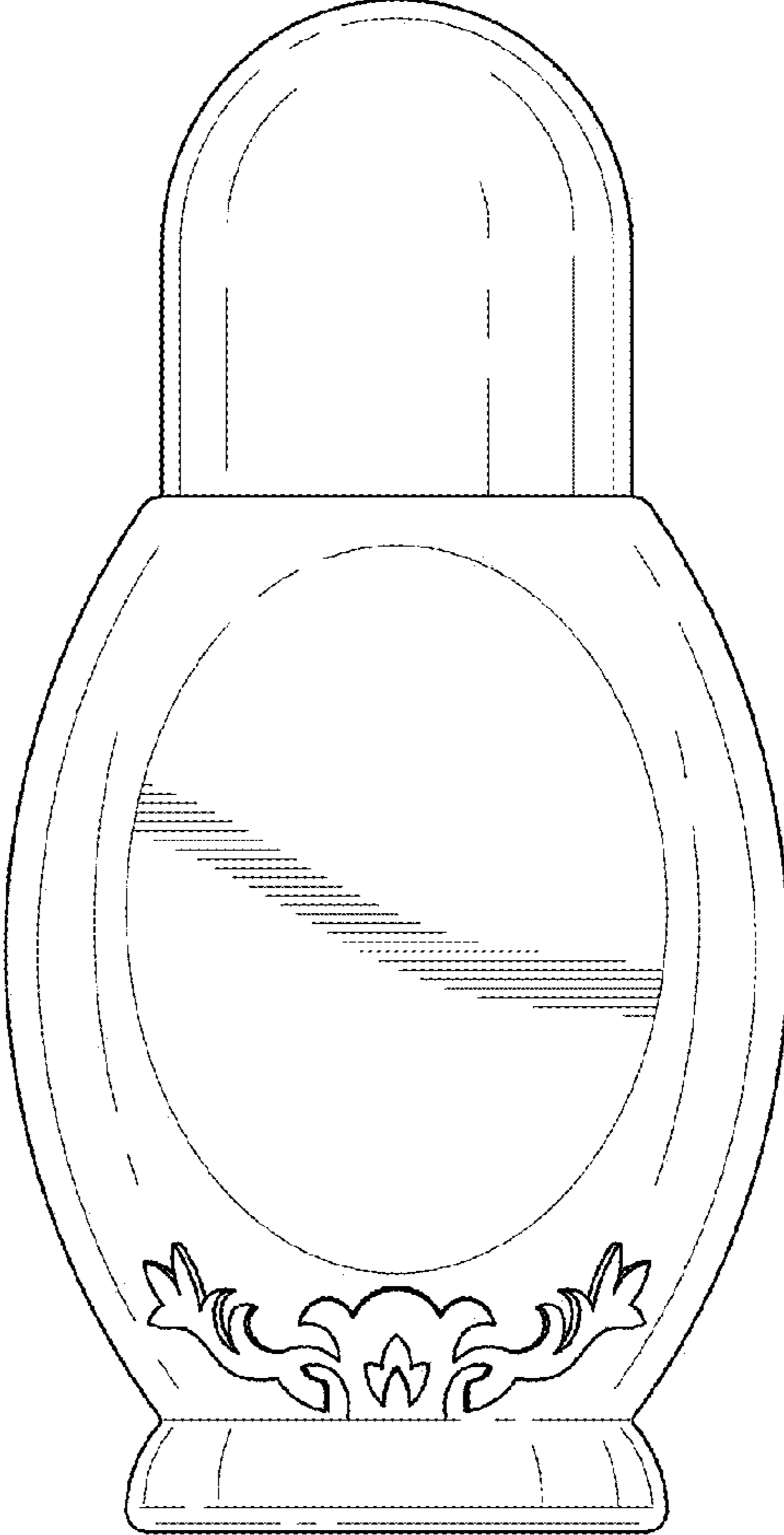


FIG. 5

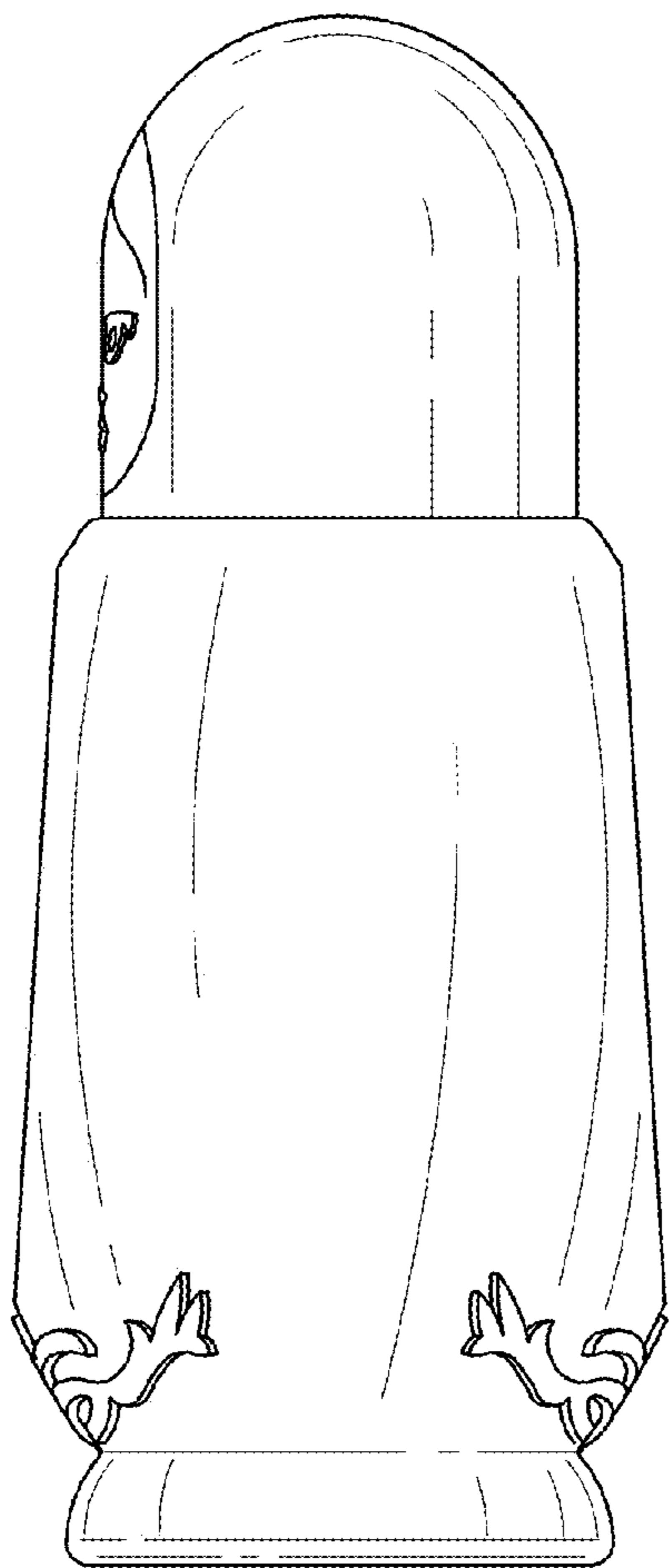


FIG. 6

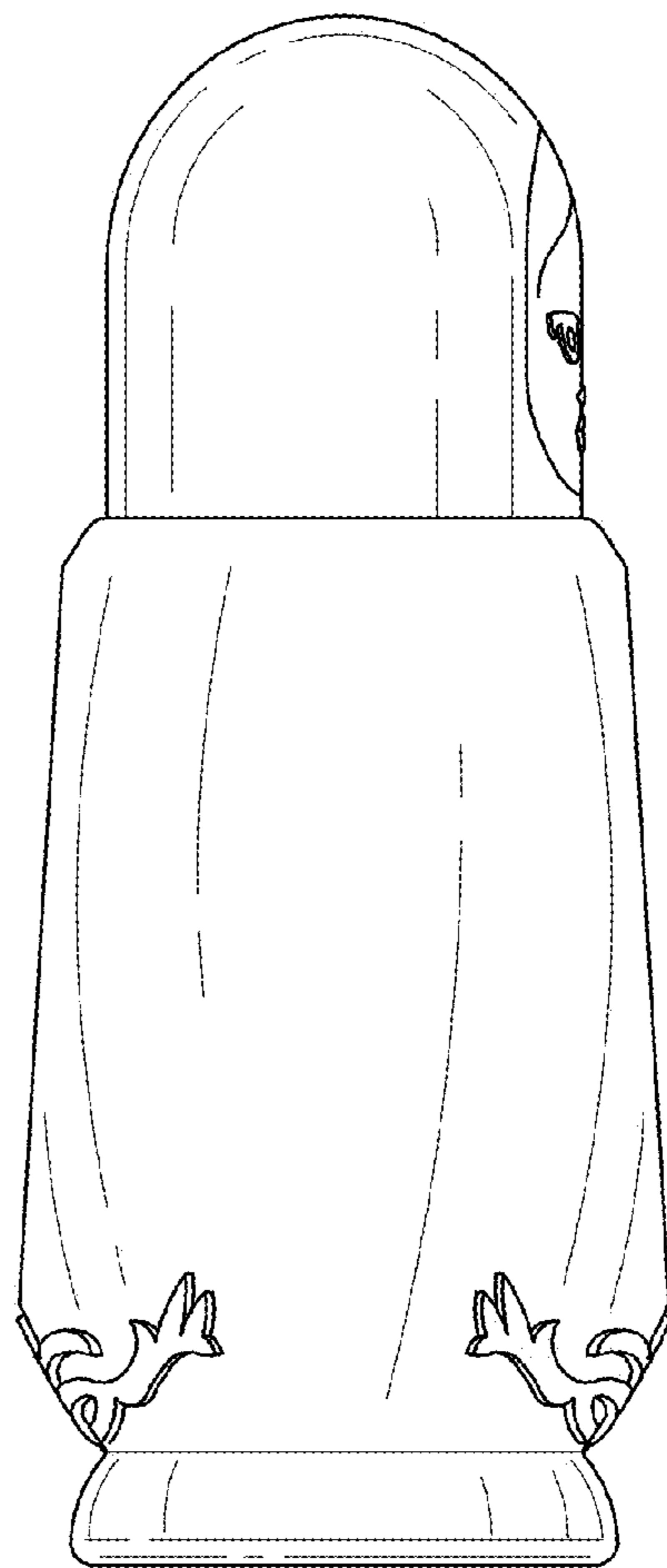


FIG. 7