



US00D739250S

(12) **United States Design Patent**  
**Rohit**

(10) **Patent No.:** **US D739,250 S**

(45) **Date of Patent:** **\*\* Sep. 22, 2015**

(54) **SQUARE PERFUME BOTTLE**

(71) Applicant: **Rohit Rohit**, Seacaucus, NJ (US)

(72) Inventor: **Rohit Rohit**, Seacaucus, NJ (US)

(\*\*) Term: **14 Years**

(21) Appl. No.: **29/452,479**

(22) Filed: **Apr. 17, 2013**

(51) **LOC (10) Cl.** ..... **09-01**

(52) **U.S. Cl.**

USPC ..... **D9/560**; D9/529; D9/574

(58) **Field of Classification Search**

USPC ..... D9/434–435, 439, 444–445, 516, 544,  
D9/546, 559–560, 572–574, 682, 686, 694,  
D9/715, 719; D7/300, 300.1, 316, 598;  
D28/91.1

CPC ..... B65D 1/00; B65D 1/02; B65D 1/0223;  
B65D 23/00; B65D 83/00; B65D 83/14;  
B65D 83/20; B65D 83/38; B65D 2501/00;  
B65D 2501/0009; B65D 2501/0081; B05B  
11/0037

See application file for complete search history.

(56) **References Cited**

**U.S. PATENT DOCUMENTS**

D105,396 S \* 7/1937 McIntosh ..... D9/560  
D266,987 S \* 11/1982 Perez Carasa y Perez de  
Guzman ..... D9/694

D271,181 S \* 11/1983 Runyon ..... D9/574  
D329,606 S \* 9/1992 Dinand et al. .... D9/529  
D378,060 S \* 2/1997 Charriol ..... D9/560  
D382,480 S \* 8/1997 Wacker ..... D9/435  
D555,002 S \* 11/2007 Lloyd et al. .... D9/544  
D580,778 S \* 11/2008 Konckier ..... D9/694  
D633,806 S \* 3/2011 Lecoule ..... D9/559  
D678,074 S \* 3/2013 De France ..... D9/560  
D694,120 S \* 11/2013 Baussan ..... D9/652

\* cited by examiner

*Primary Examiner* — Dana L Meyrow

(74) *Attorney, Agent, or Firm* — Michael J. Feigin, Esq.;  
Feigin & Associates, LLC

(57) **CLAIM**

I claim the ornamental design for a square perfume bottle, as shown and described.

**DESCRIPTION**

FIG. 1 shows a top perspective view of a square perfume bottle, the reverse angle view being identical.

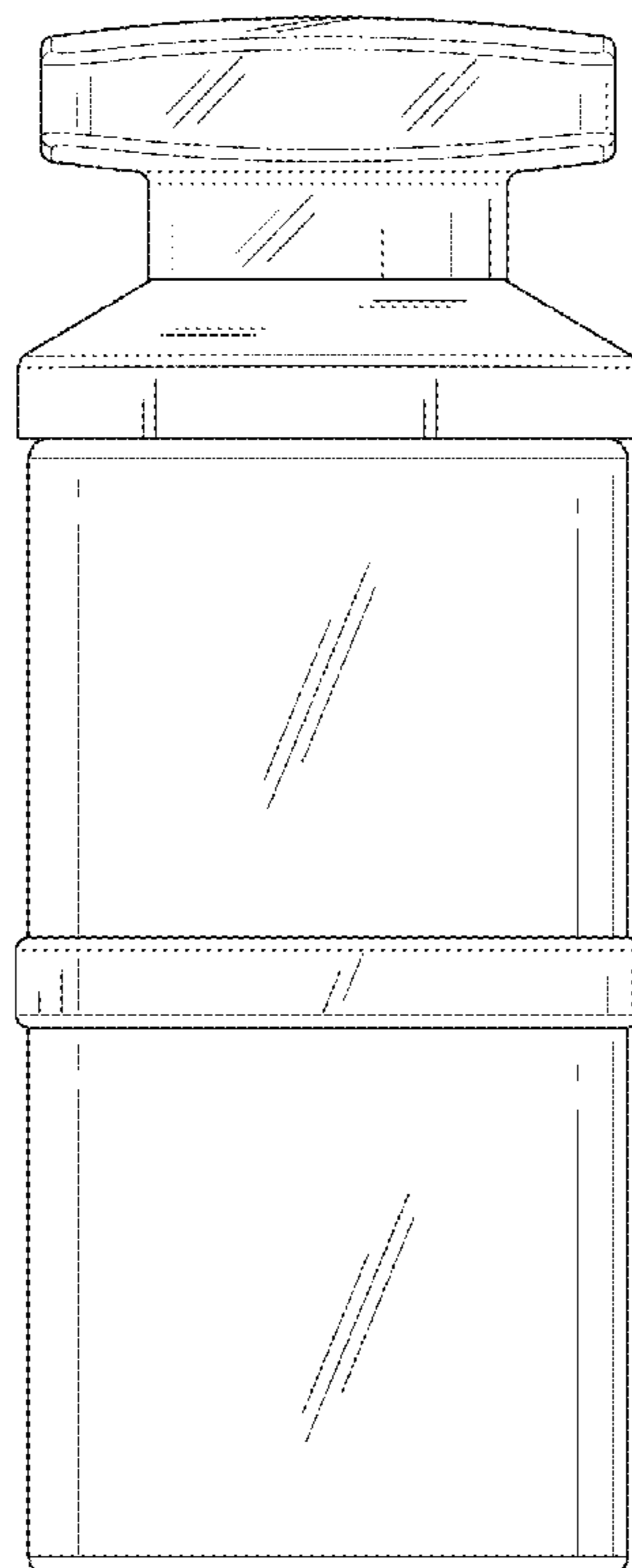
FIG. 2 shows a bottom perspective view of the square perfume bottle, the opposing side being identical.

FIG. 3 shows a side elevation view of the square perfume bottle, the opposing side, front and rear elevation views being identical.

FIG. 4 shows a top plan view thereof; and,

FIG. 5 shows a bottom plan view thereof.

**1 Claim, 4 Drawing Sheets**



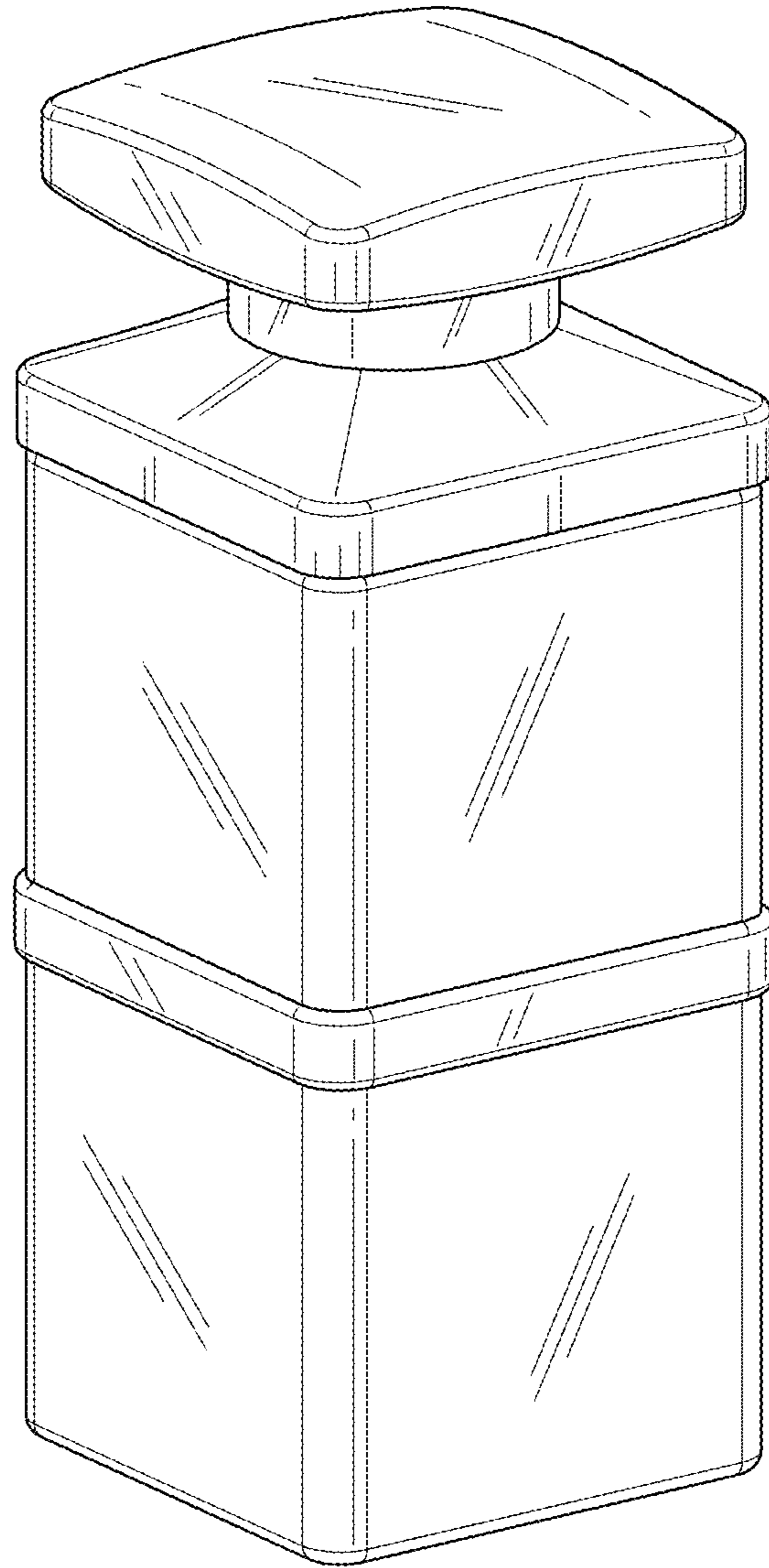


FIG. 1

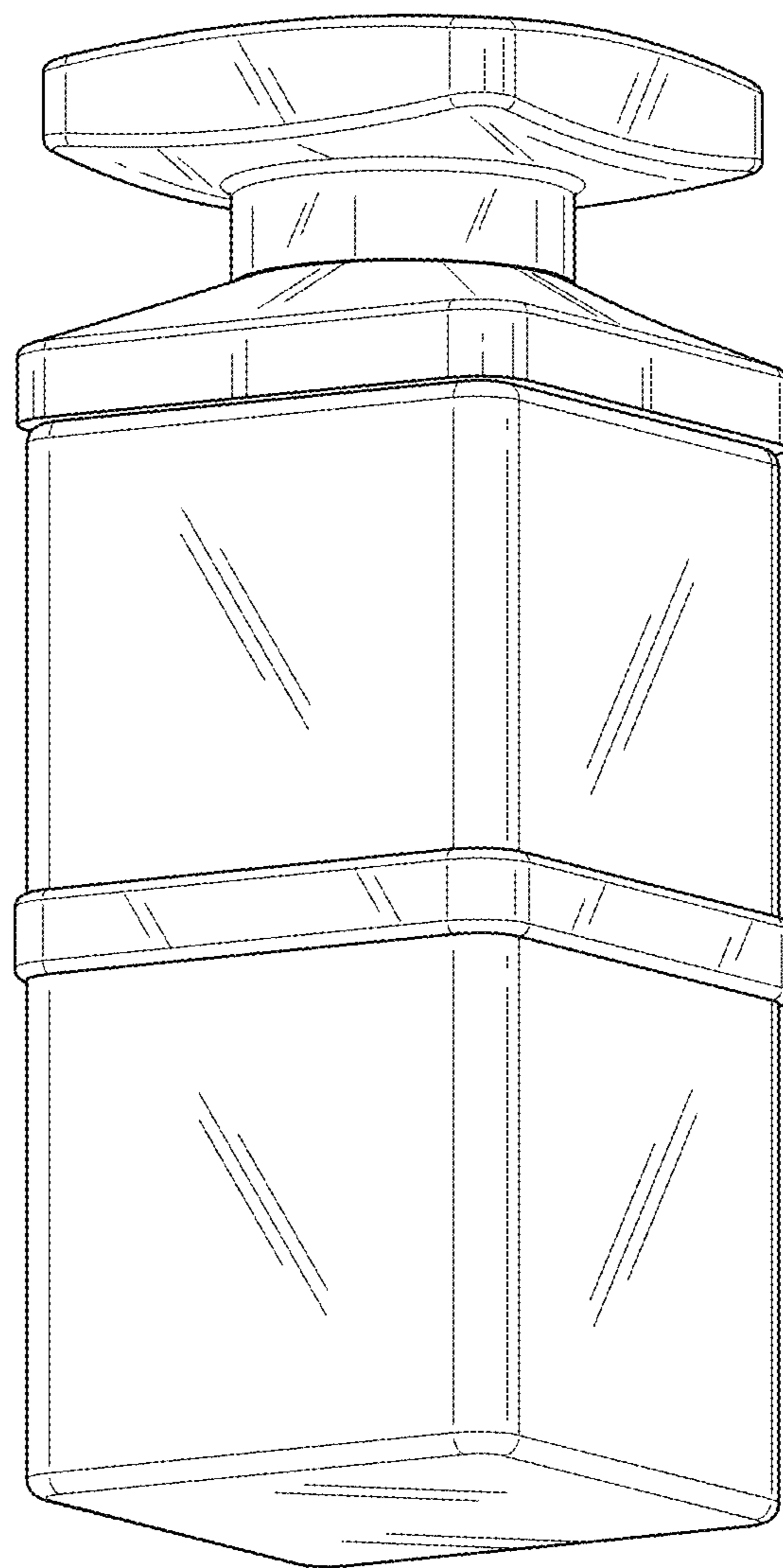


FIG. 2

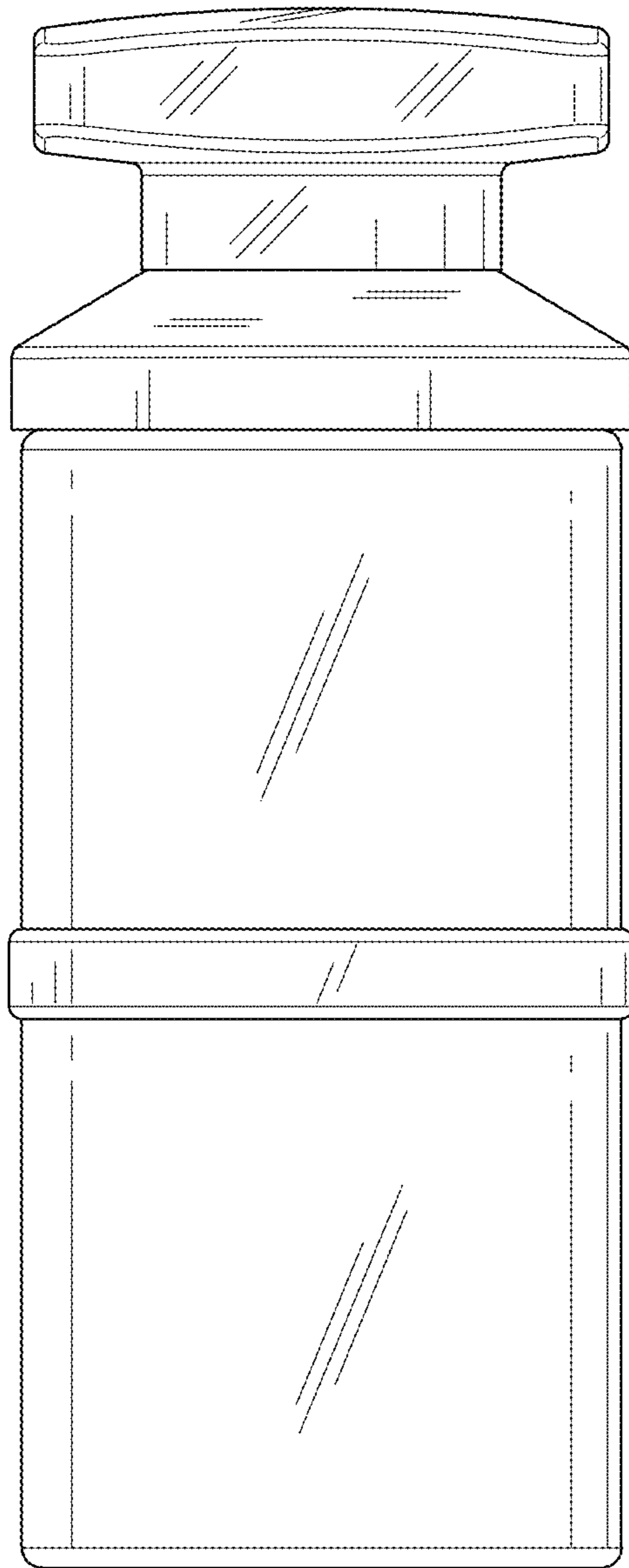


FIG. 3

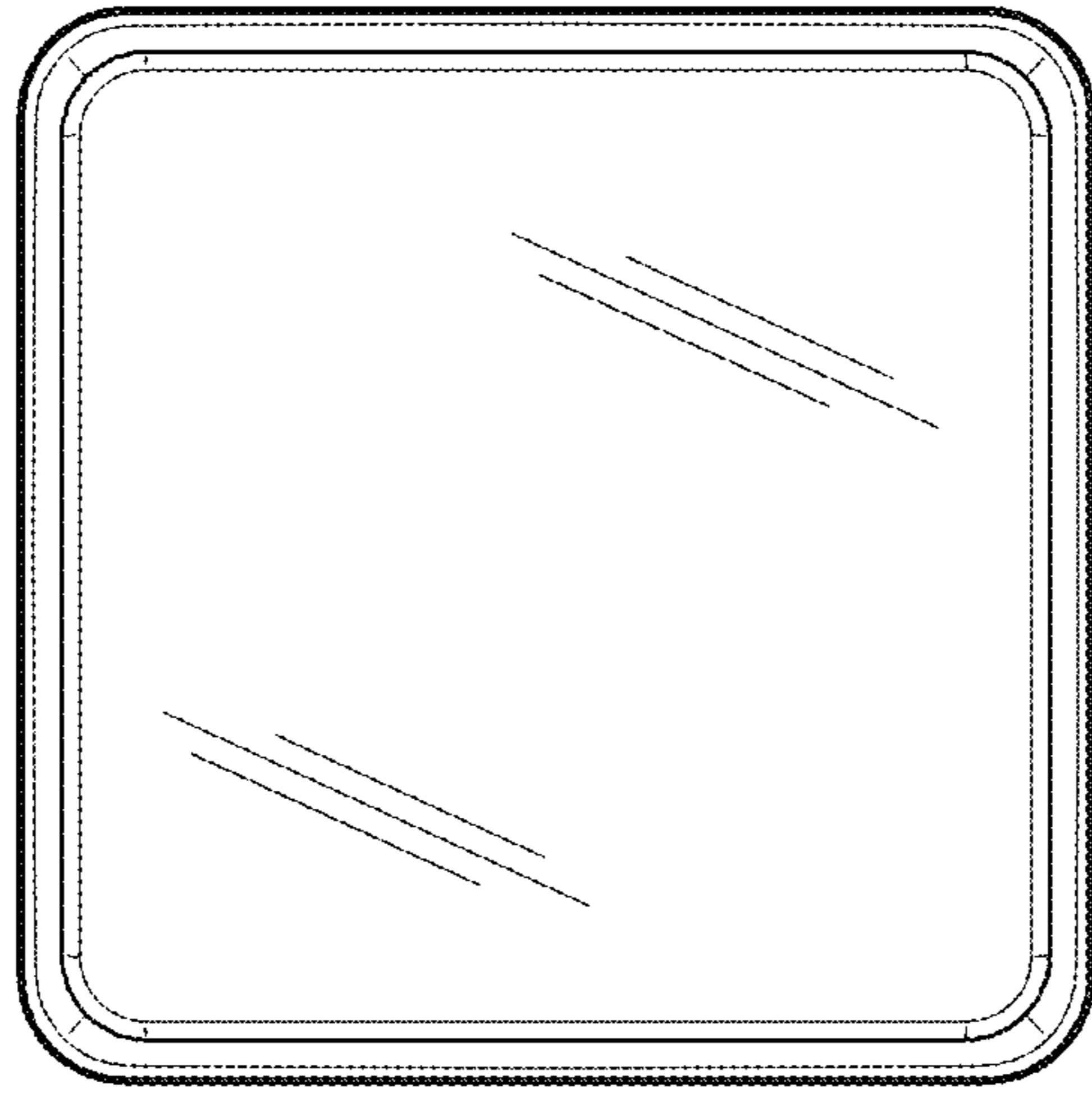


FIG. 4

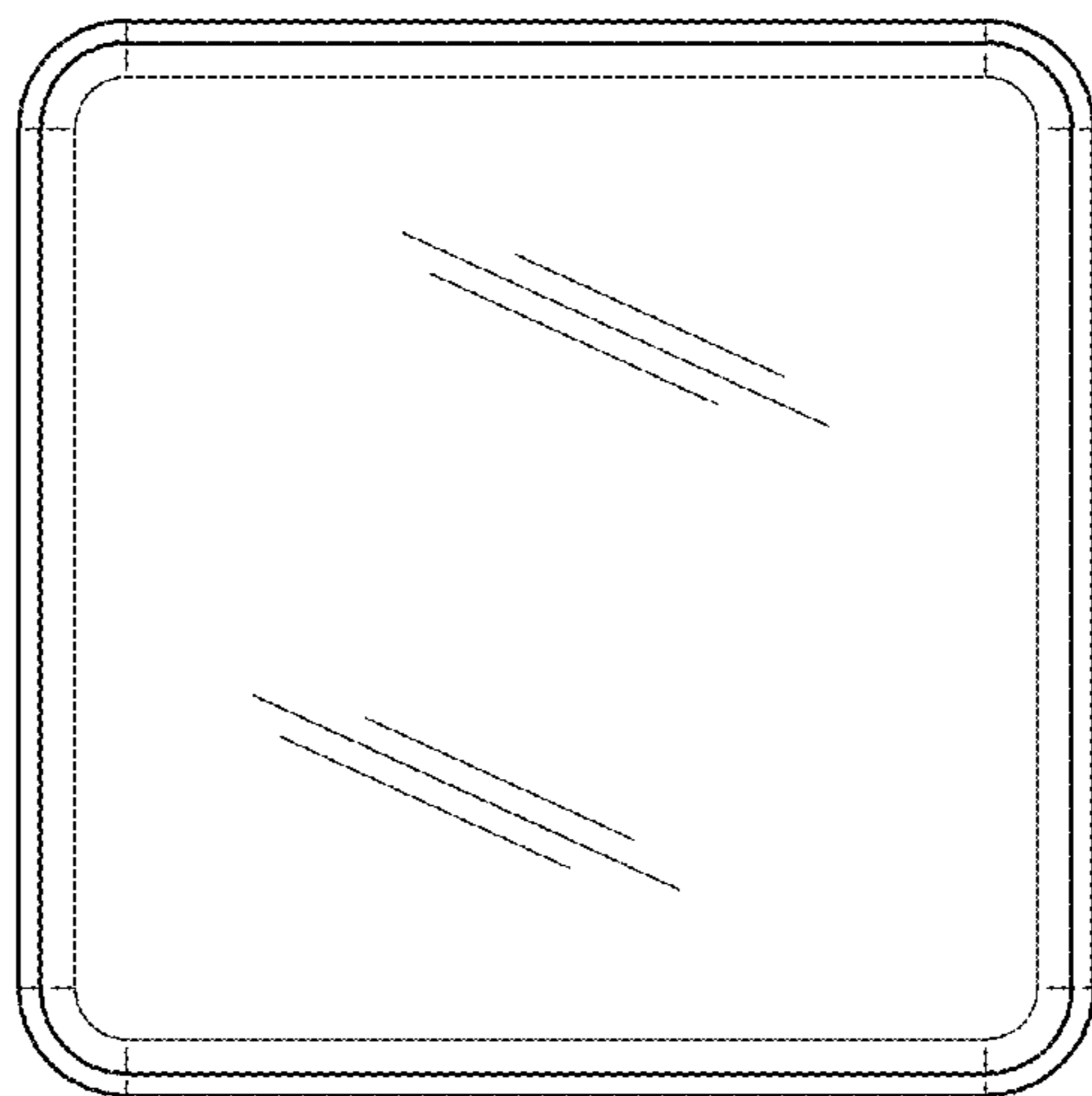


FIG. 5