



US00D739245S

(12) **United States Design Patent**  
**Dachs et al.**

(10) **Patent No.:** **US D739,245 S**

(45) **Date of Patent:** **\*\* Sep. 22, 2015**

(54) **BOTTLE BOTTOM**

(71) Applicant: **KRONES AG**, Neutraubling (DE)

(72) Inventors: **Alexander Dachs**, Regensburg (DE);  
**Peter Knapp**, Schmatzhausen (DE);  
**Stephanie Pietrasch**, Regensburg (DE);  
**Ulrich Lappe**, Regensburg (DE)

(73) Assignee: **KRONES, AG**, Neutraubling (DE)

(\*\*) Term: **14 Years**

(21) Appl. No.: **29/456,356**

(22) Filed: **May 30, 2013**

(30) **Foreign Application Priority Data**

Apr. 15, 2013 (DE) ..... 10 2013 103 777

(51) **LOC (10) Cl.** ..... **09-01**

(52) **U.S. Cl.**  
USPC ..... **D9/516; D9/520**

(58) **Field of Classification Search**  
USPC ..... D9/516, 520, 530, 537-540, 549-550,  
D9/552, 556-558, 575, 551; 215/370-371,  
215/379, 381-382; 220/600, 604, 608-609,  
220/660, 662-664, 669-673, 675  
See application file for complete search history.

(56) **References Cited**

**U.S. PATENT DOCUMENTS**

- 3,598,270 A \* 8/1971 Adomaitis et al. .... 215/375
- D222,851 S \* 1/1972 Adomaitis et al. .... D9/501
- D517,918 S \* 3/2006 Colloud et al. .... D9/502
- D547,197 S \* 7/2007 Hermel ..... D9/646
- 7,381,559 B2 \* 6/2008 Ellis et al. .... 435/288.1
- D592,066 S \* 5/2009 Bourne ..... D9/538
- D601,901 S \* 10/2009 Lepoitevin ..... D9/538

- D602,367 S \* 10/2009 Lepoitevin ..... D9/538
- D607,733 S \* 1/2010 Lepoitevin ..... D9/538
- D626,851 S \* 11/2010 El Aquah ..... D9/553
- D629,304 S \* 12/2010 El Aquah ..... D9/553
- 8,469,214 B2 \* 6/2013 Boukobza ..... 215/375
- 2004/0173565 A1 \* 9/2004 Semersky et al. .... 215/382

**FOREIGN PATENT DOCUMENTS**

WO DM/072670 \* 7/2009

\* cited by examiner

*Primary Examiner* — Dana L Meyrow

(74) *Attorney, Agent, or Firm* — Onello & Mello, LLP.

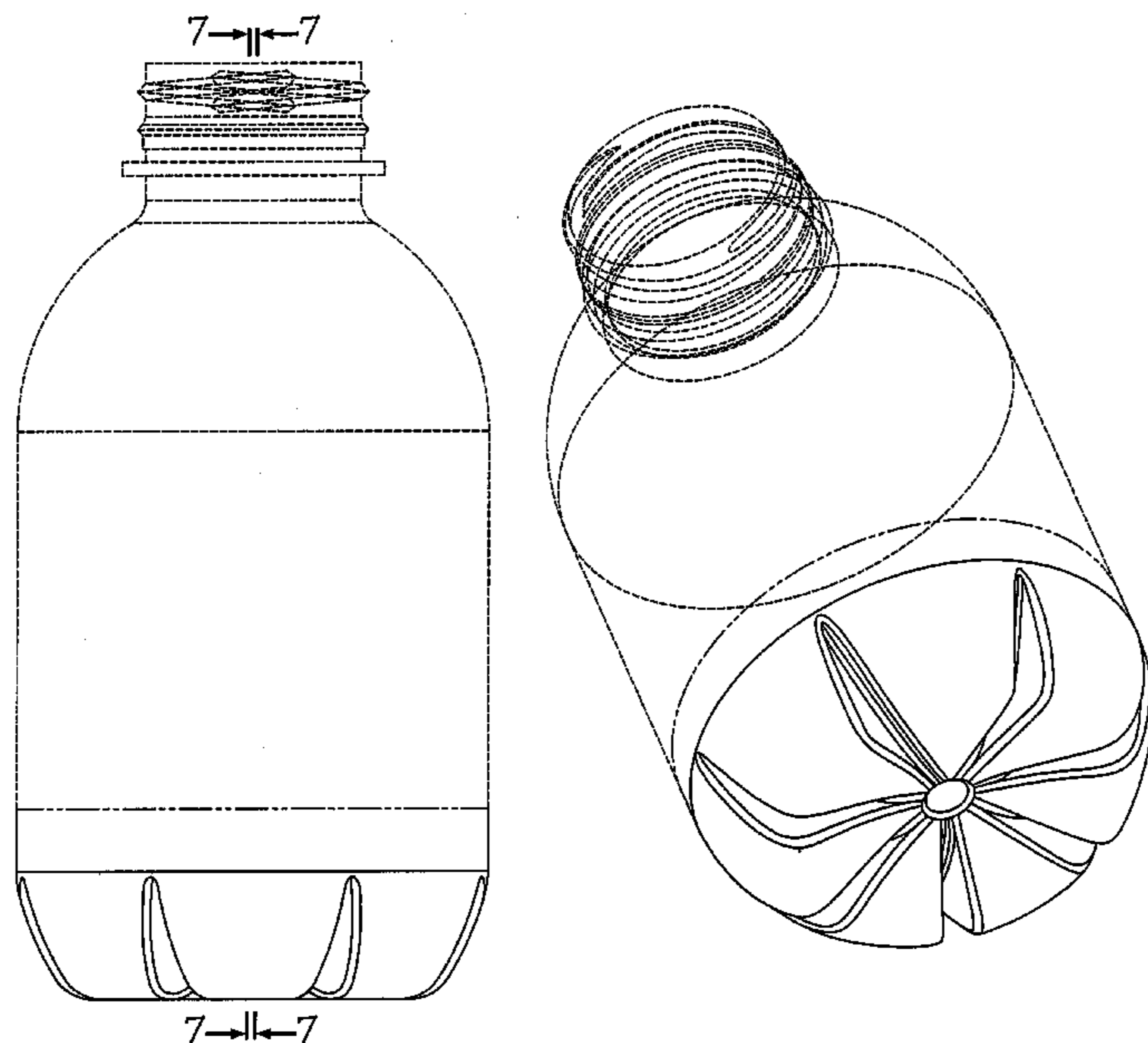
(57) **CLAIM**

An ornamental design for a bottle bottom, as shown and described.

**DESCRIPTION**

FIG. 1 is a front elevation view of a bottle bottom in accordance with the present invention;  
 FIG. 2 is a right side elevation view thereof;  
 FIG. 3 is a rear elevation view thereof;  
 FIG. 4 is a left side elevation view thereof;  
 FIG. 5 is a bottom plan view thereof;  
 FIG. 6 is a bottom perspective view thereof;  
 FIG. 7 is a section view taken along the lines 7-7 in FIG. 1; and,  
 FIG. 8 is an enlarged detail of the area shown in FIG. 3.  
 In the drawings, the evenly dashed broken lines showing the remainder of the bottle illustrate features which form no part of the claim. The dot-dash broken lines in FIGS. 3 and 8 define the area of the detailed view and the dot-dot-dash broken lines in FIGS. 1-4, 6, and 7 define the bounds of the claim; both of which form no part thereof.

**1 Claim, 8 Drawing Sheets**



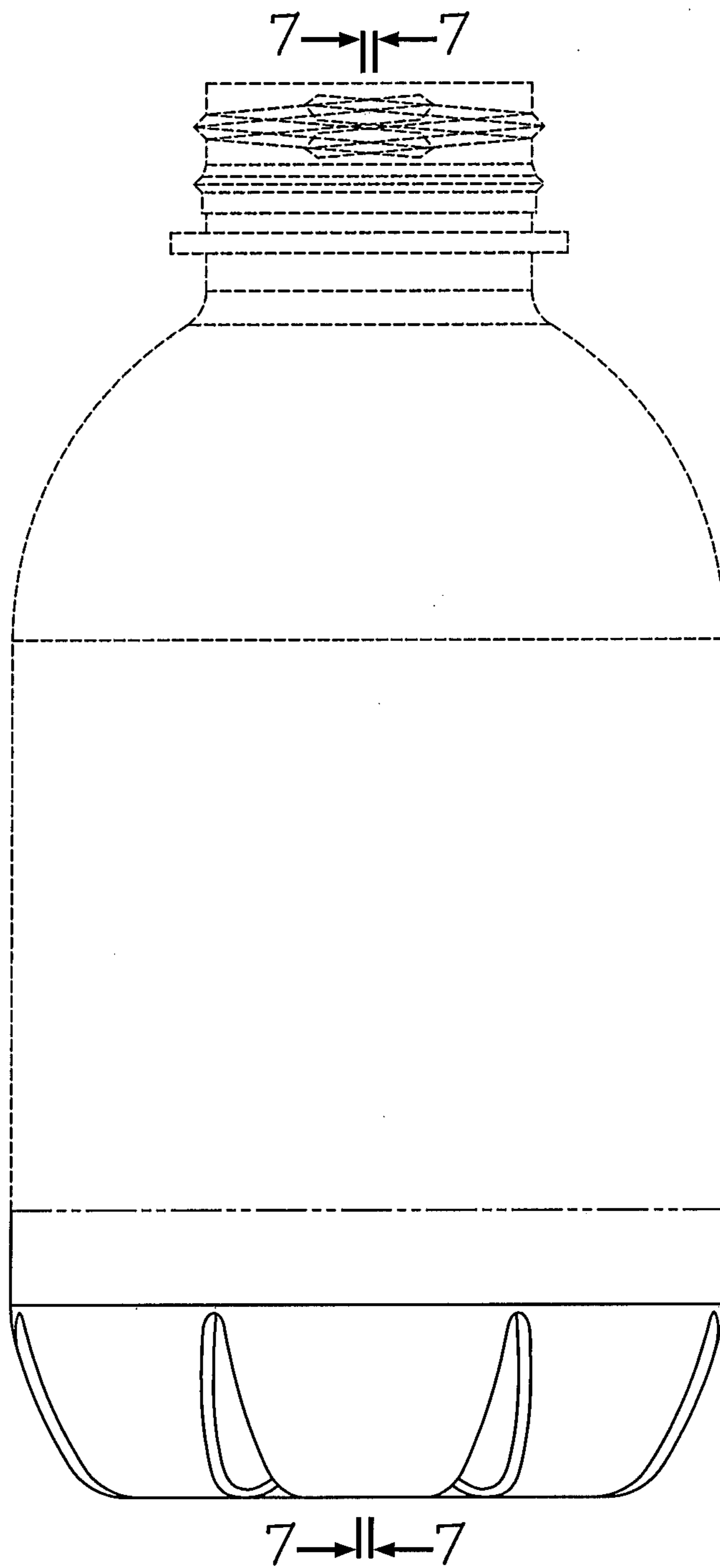


FIG. 1

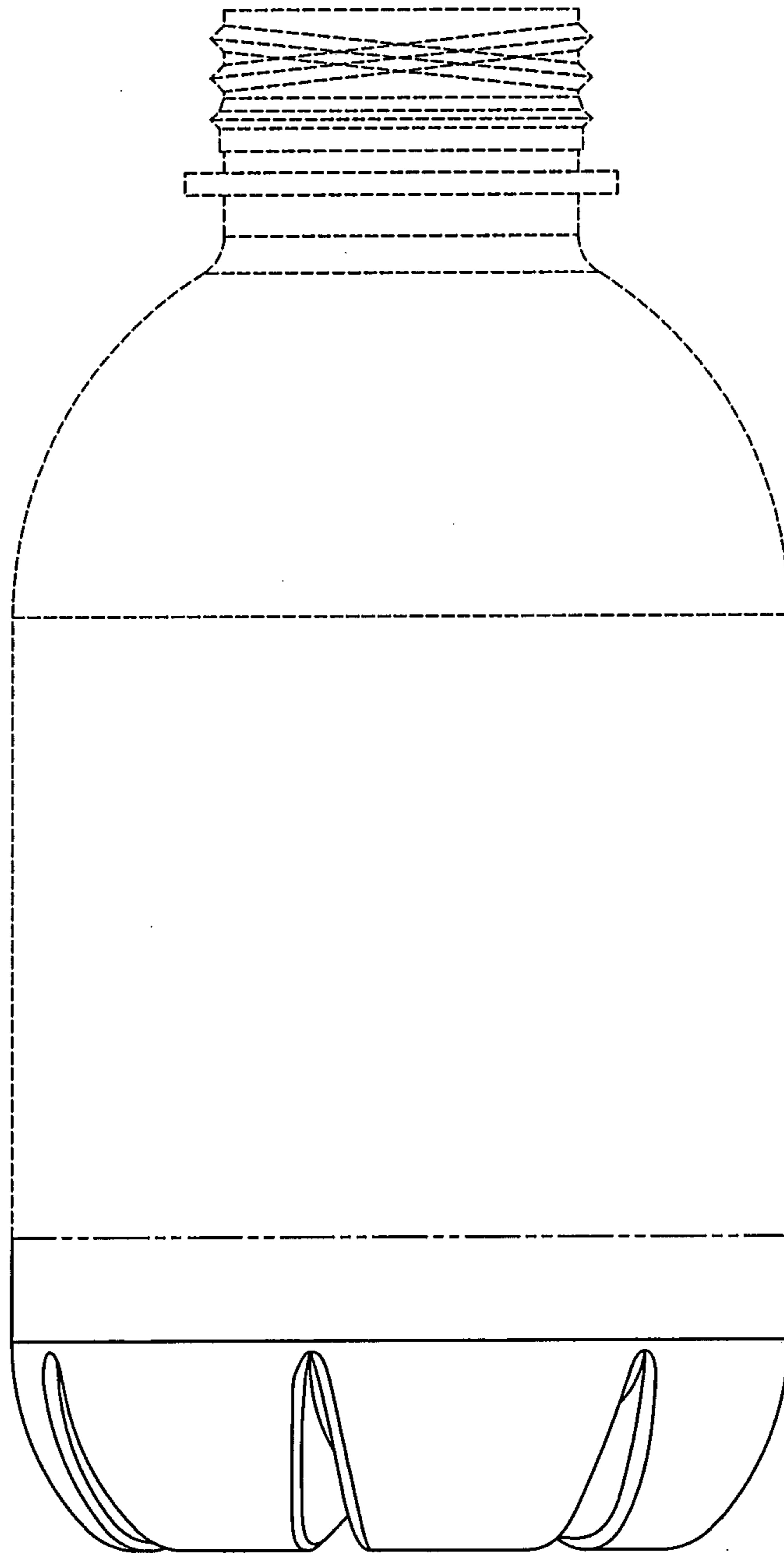


FIG. 2

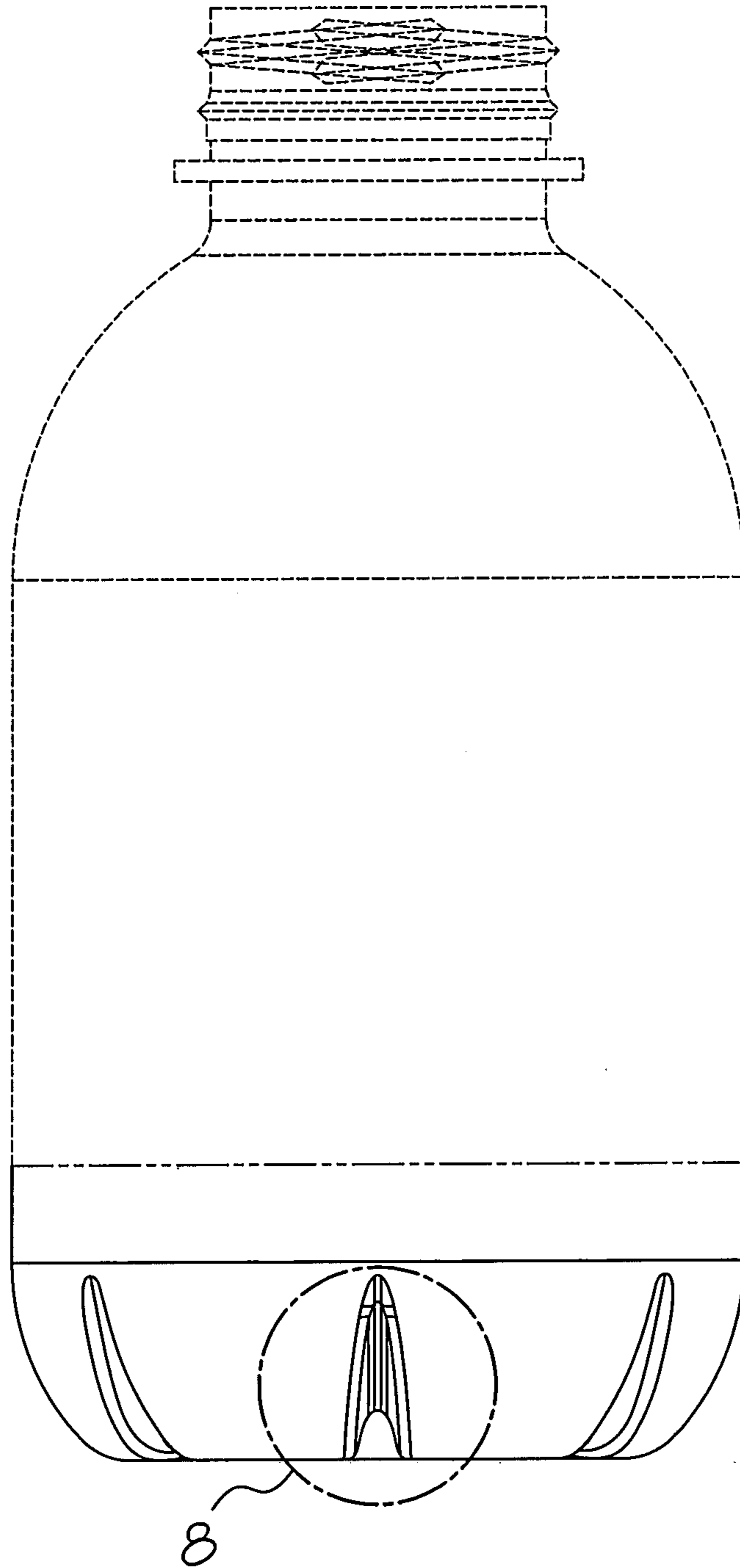


FIG. 3

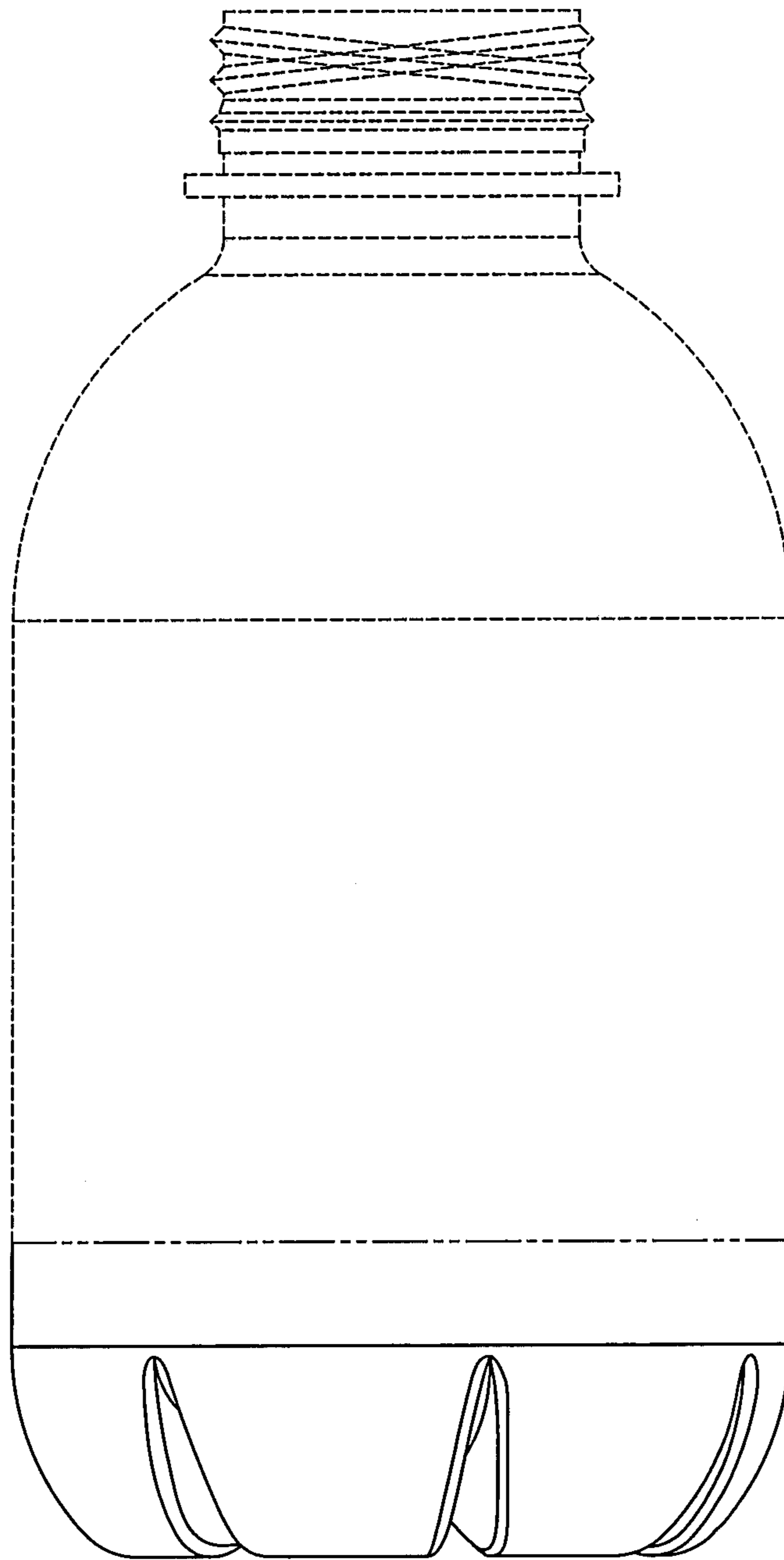


FIG. 4

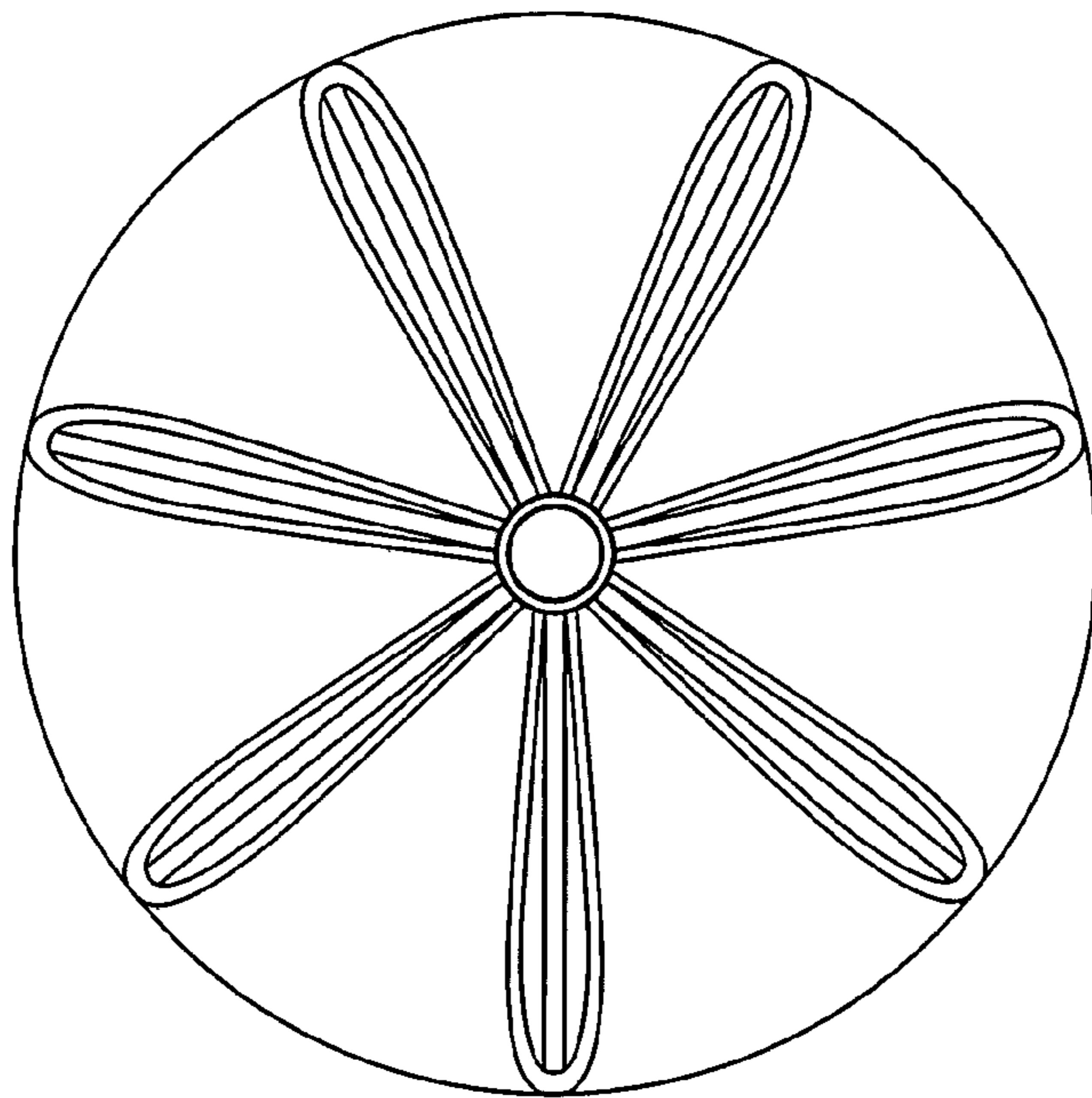


FIG. 5



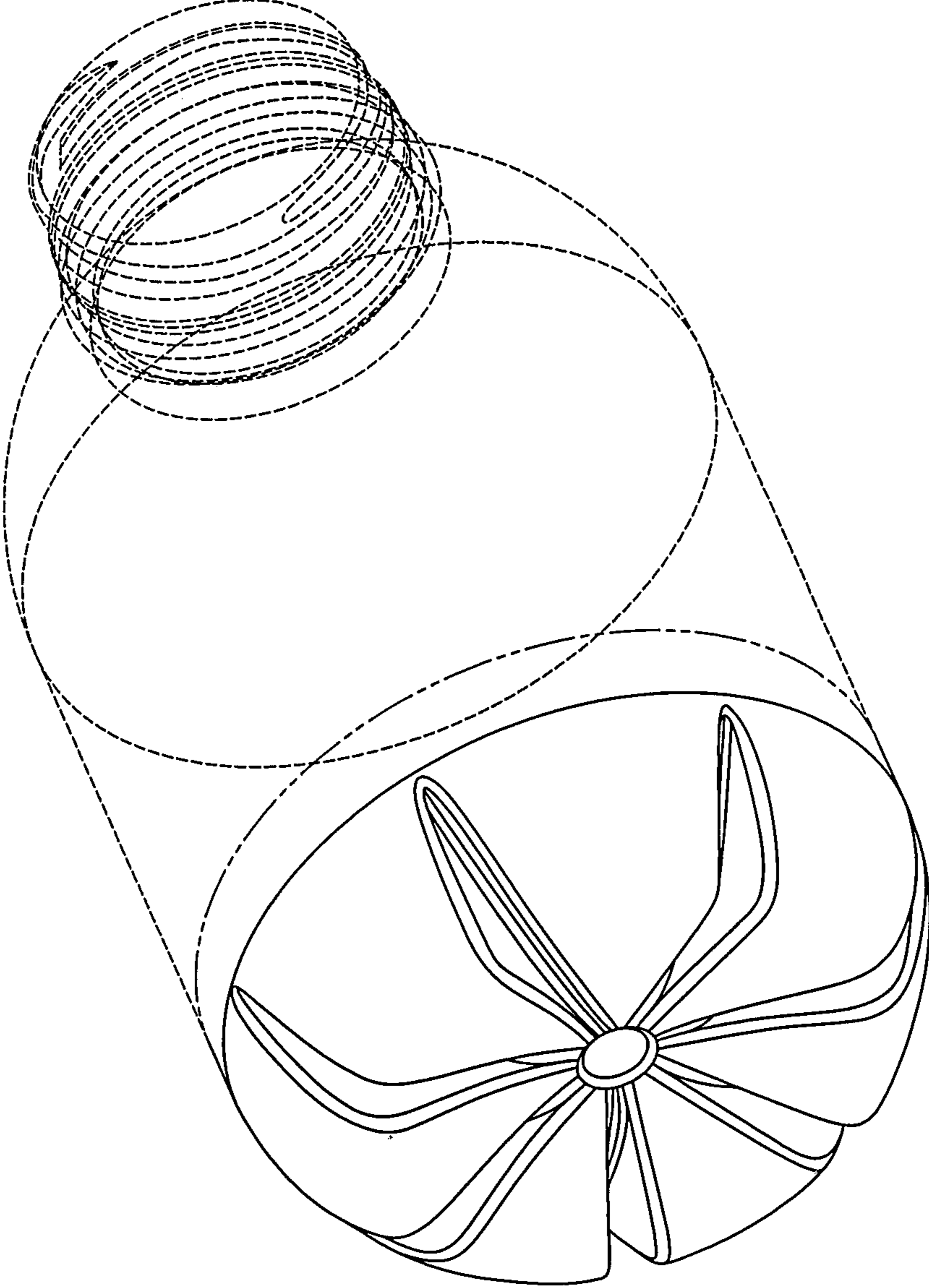


FIG. 6

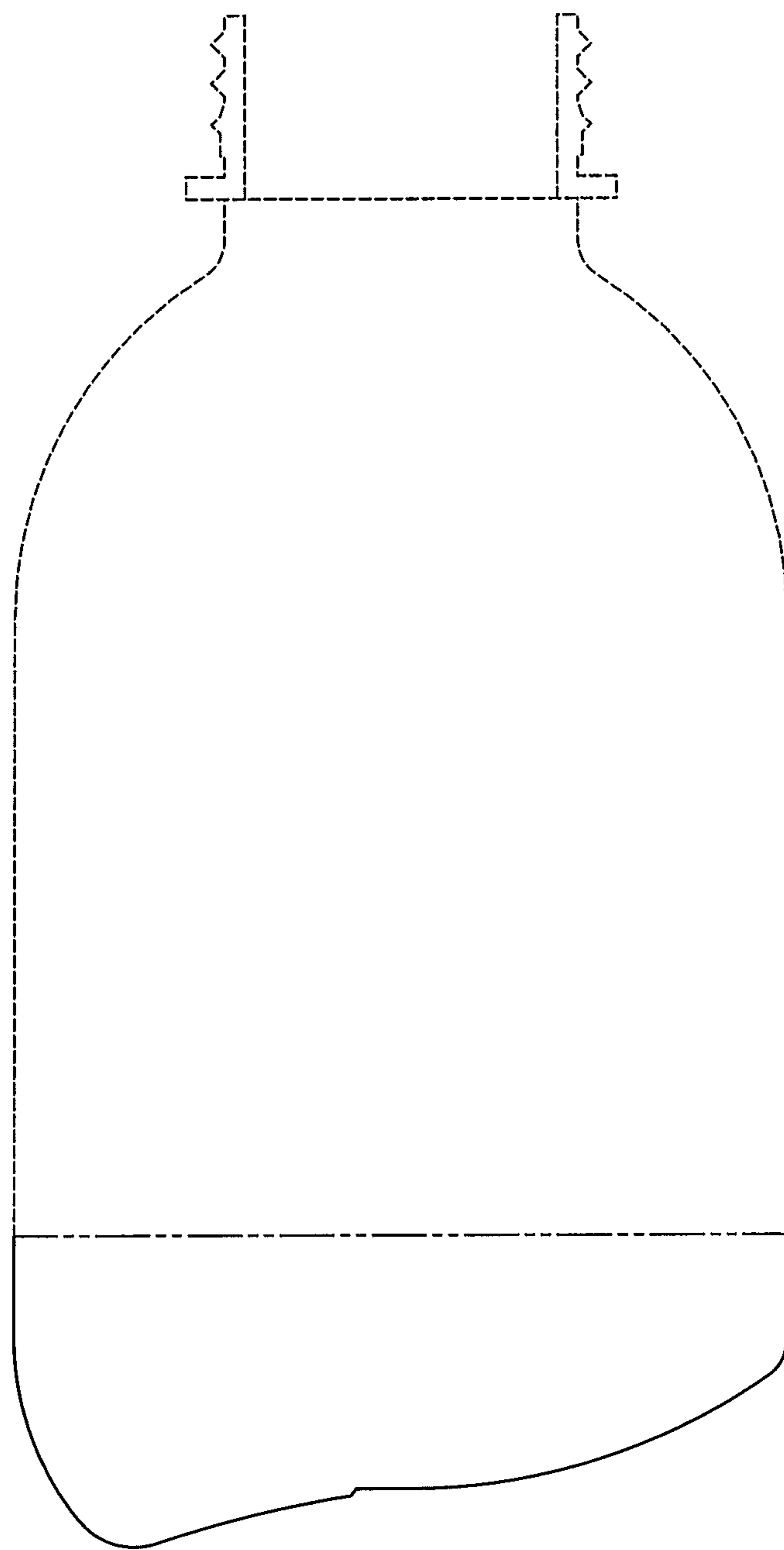


FIG. 7



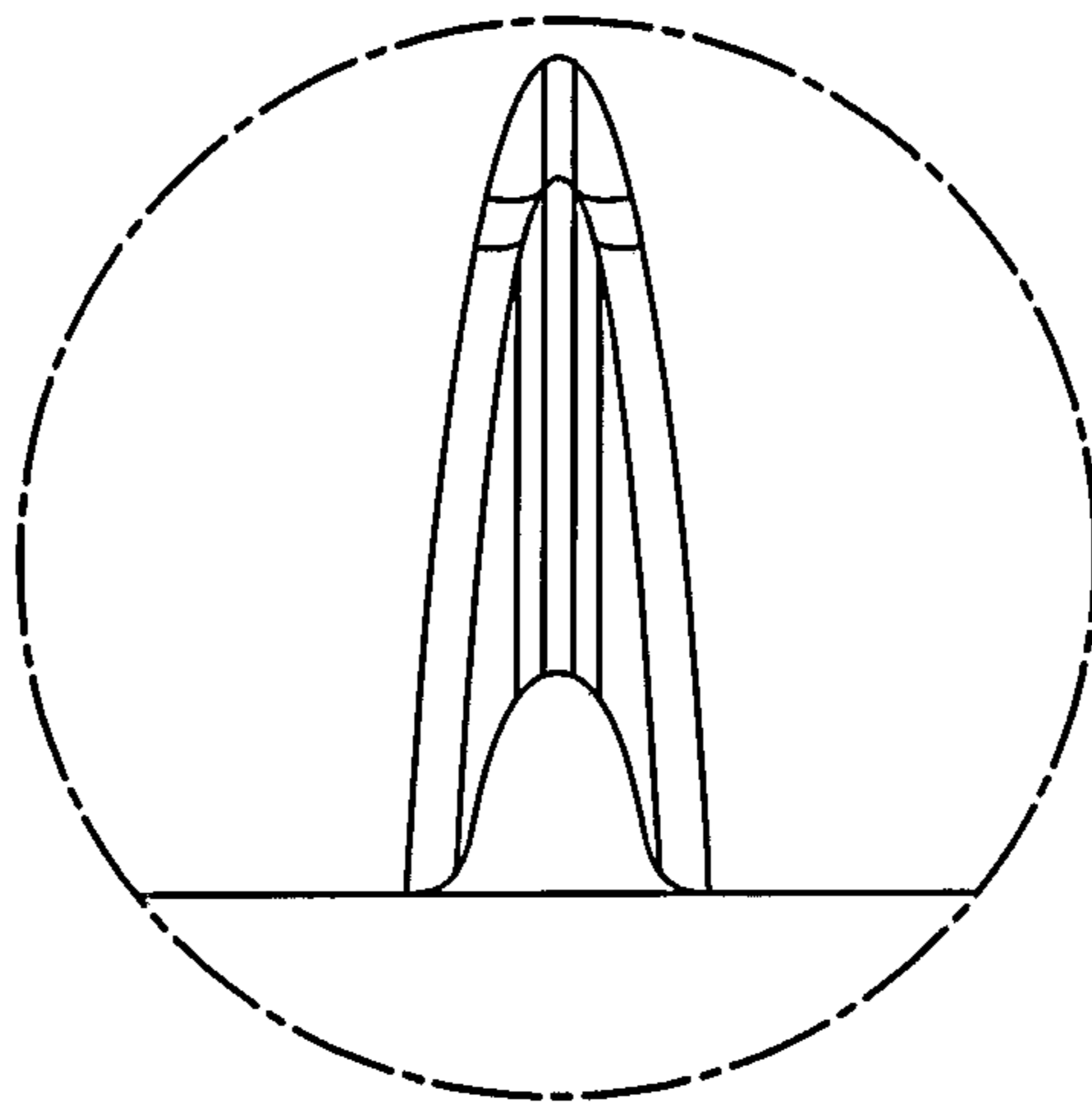


FIG. 8