

US00D739243S

(12) **United States Design Patent**
Plumlee et al.

(10) **Patent No.:** **US D739,243 S**
(45) **Date of Patent:** **** Sep. 22, 2015**

(54) **SCREEN FOR PREVENTING BUGS AND DEBRIS FROM ENTERING A BEVERAGE CONTAINER**

(71) Applicants: **Greg Plumlee**, Lake Forest, CA (US);
Renee Plumlee, Lake Forest, CA (US)

(72) Inventors: **Greg Plumlee**, Lake Forest, CA (US);
Renee Plumlee, Lake Forest, CA (US)

(**) Term: **14 Years**

(21) Appl. No.: **29/504,070**

(22) Filed: **Oct. 1, 2014**

Related U.S. Application Data

(63) Continuation of application No. 12/983,370, filed on Jan. 3, 2011.

(51) **LOC (10) Cl.** **09-99**

(52) **U.S. Cl.**
USPC **D9/499**

(58) **Field of Classification Search**
USPC D9/434, 435, 436, 443, 445, 499;
D7/392.1, 511; 220/88.2, 370, 372;
126/299 C

CPC B65D 51/18; B65D 43/00
See application file for complete search history.

(56) **References Cited**

U.S. PATENT DOCUMENTS

907,719	A *	12/1908	Berger	135/87
1,434,607	A *	11/1922	Gilson	132/274
1,465,119	A *	8/1923	Dobbins	220/200
1,948,771	A	2/1934	Grace	
D145,646	S *	9/1946	Severance	D7/392.1
3,343,345	A	9/1967	Claire	
4,069,615	A	1/1978	Gilbert	
4,108,332	A	8/1978	Thompson	
D267,546	S *	1/1983	Manlove	D9/445
4,508,235	A *	4/1985	Steele et al.	215/307
D290,838	S *	7/1987	Stames	D14/228

4,747,392	A	5/1988	Rogers	
4,869,389	A	9/1989	Cerrone	
4,898,298	A	2/1990	Norris	
4,938,375	A	7/1990	Fantacone	
4,938,379	A	7/1990	Kellner	
D353,298	S *	12/1994	Hartpence et al.	D7/400
D358,294	S *	5/1995	Letica	D7/392.1
5,547,100	A	8/1996	Johnson	
D388,327	S	12/1997	Radosevich	
5,816,427	A	10/1998	Beckertgis	
D401,151	S	11/1998	Rogge et al.	

(Continued)

OTHER PUBLICATIONS

Mesh Dome by Cuisinox, allmodern.com. 2 pages. Found online at www.allmodern.com/Cuisinox-Mesh-Dome-SCR30_CNX1766.html.*

(Continued)

Primary Examiner — Robert M Spear

(74) *Attorney, Agent, or Firm* — Knobbe, Martens, Olson & Bear, LLP

(57) **CLAIM**

The ornamental design for a screen for preventing bugs and debris from entering a beverage container, as shown and described.

DESCRIPTION

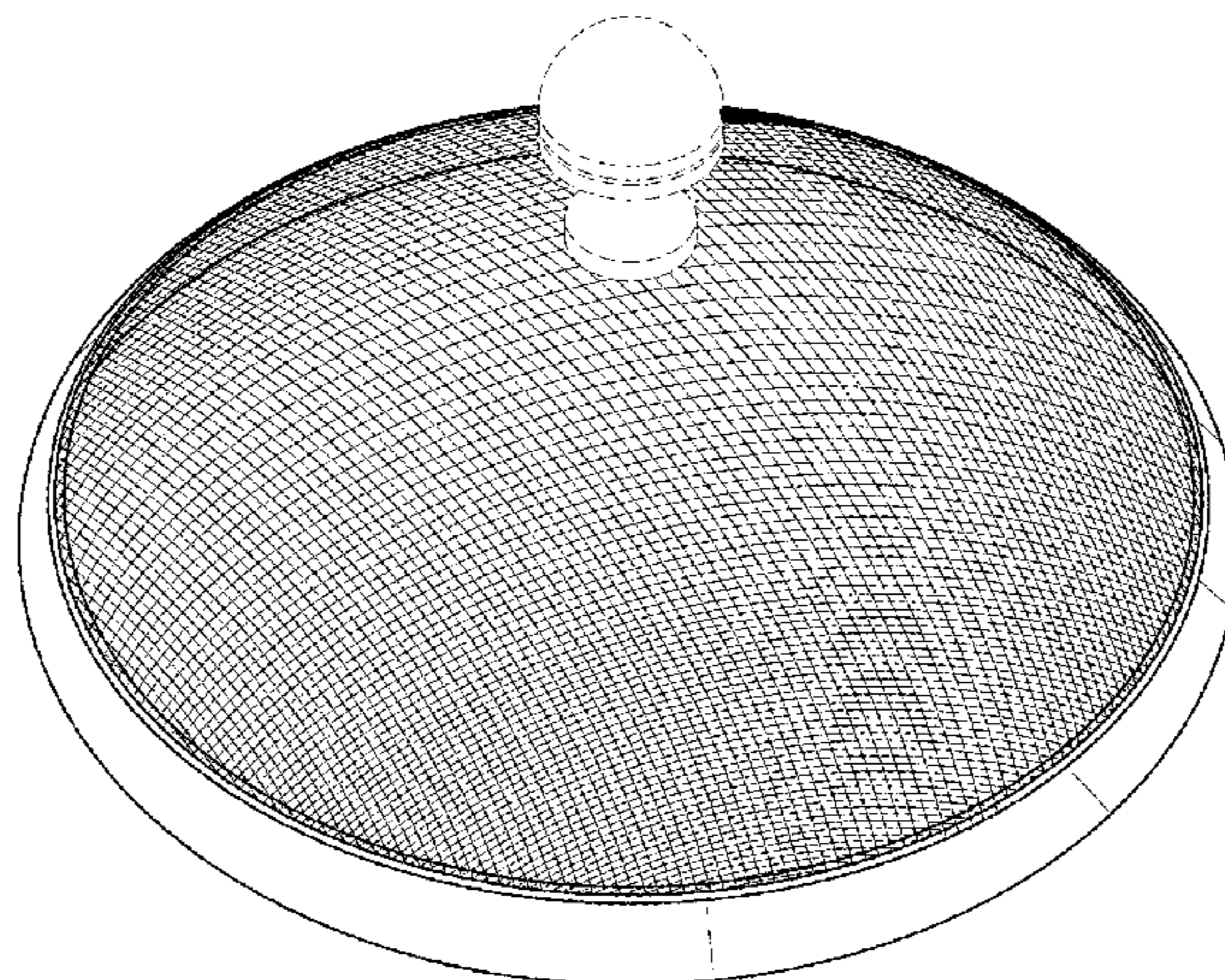
FIG. 1 is a perspective view of the screen for preventing bugs and debris from entering a beverage container.

FIG. 2 is a side view of the screen for preventing bugs and debris from entering a beverage container. All four side views (front, rear, left and right) are identical to the side view of FIG. 2.

FIG. 3 is a top view of the screen for preventing bugs and debris from entering a beverage container; and, FIG. 4 is a bottom view of the screen for preventing bugs and debris from entering a beverage container.

The broken lines in the drawings represent unclaimed environmental subject matter and form no part of the claim.

1 Claim, 4 Drawing Sheets



(56)

References Cited

U.S. PATENT DOCUMENTS

D408,283 S 4/1999 Tucker
 D415,681 S * 10/1999 Yourist D9/434
 D420,253 S 2/2000 Malusek
 D424,937 S * 5/2000 Tucker D9/435
 D426,939 S * 6/2000 Farbenbloom D2/892
 D440,155 S * 4/2001 Schaefer D9/451
 D450,979 S 11/2001 Nestro
 D457,229 S 5/2002 Chen
 D498,031 S * 11/2004 Diamond et al. D1/102
 7,028,797 B2 4/2006 White
 D523,333 S * 6/2006 Moretti D9/444
 7,117,641 B2 10/2006 Lee
 7,246,715 B2 7/2007 Smith
 D579,261 S 10/2008 Chiang
 7,591,393 B2 9/2009 Crudgington
 D629,641 S * 12/2010 Kuan D7/354
 D633,995 S 3/2011 Chiang
 7,908,823 B2 3/2011 Edmunds
 8,070,011 B2 * 12/2011 Fukano 220/780

D663,574 S 7/2012 Shenkal
 D675,524 S * 2/2013 Bickert et al. D9/447
 D688,028 S * 8/2013 Nardiello et al. D1/116
 D706,076 S * 6/2014 Andersen D7/392.1
 D717,170 S * 11/2014 Tan D9/454
 2008/0296303 A1 12/2008 Krent et al.
 2010/0001011 A1 1/2010 Morrison-McBride

OTHER PUBLICATIONS

Mesh food cover/dish cover/plate cover. Amazon eCommerce Store, 4 pages. Found online at <http://sell.lulusoso.com/selling-leads/1775503/Mesh-food-cover-dish-cover-plate-cover.html>.
 Red Mesh Dome Plate Cover, houzz.com, 1 page. Found online at <http://www.houzz.com/photos/202386/Red-Mesh-DomePlate-Cover-food-containers-and-storage>.
 Lowe's Fire Pits Screens Cover, fire pit photos gallery, 3 pages plus one page, dated Jun. 14, 2013. Found online at <http://firepitphotos.info/2013/06/lowes-fire-pits-screens-cover/> date found at <http://firepitphotos.info/tag/cover/>.

* cited by examiner

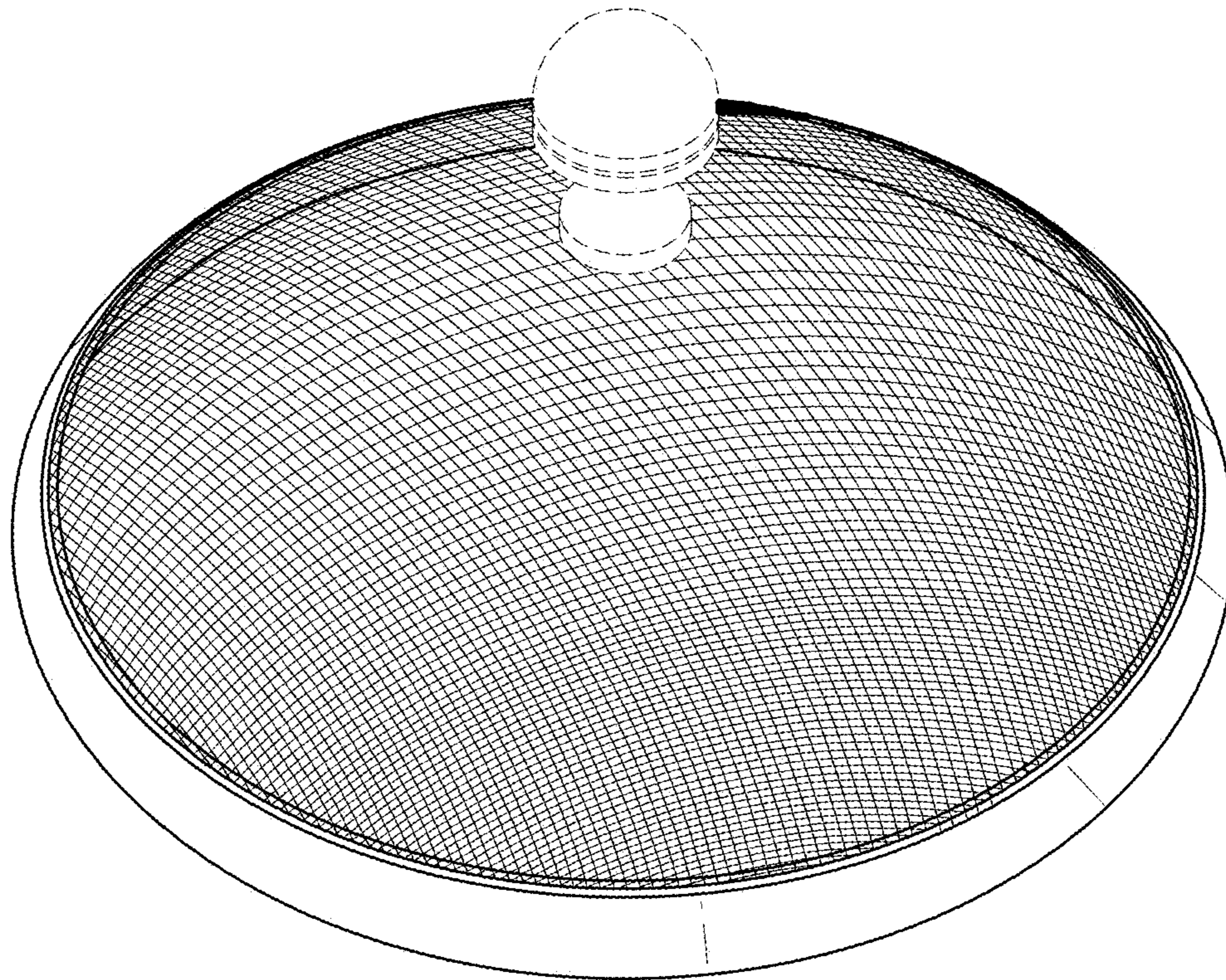


FIG. 1

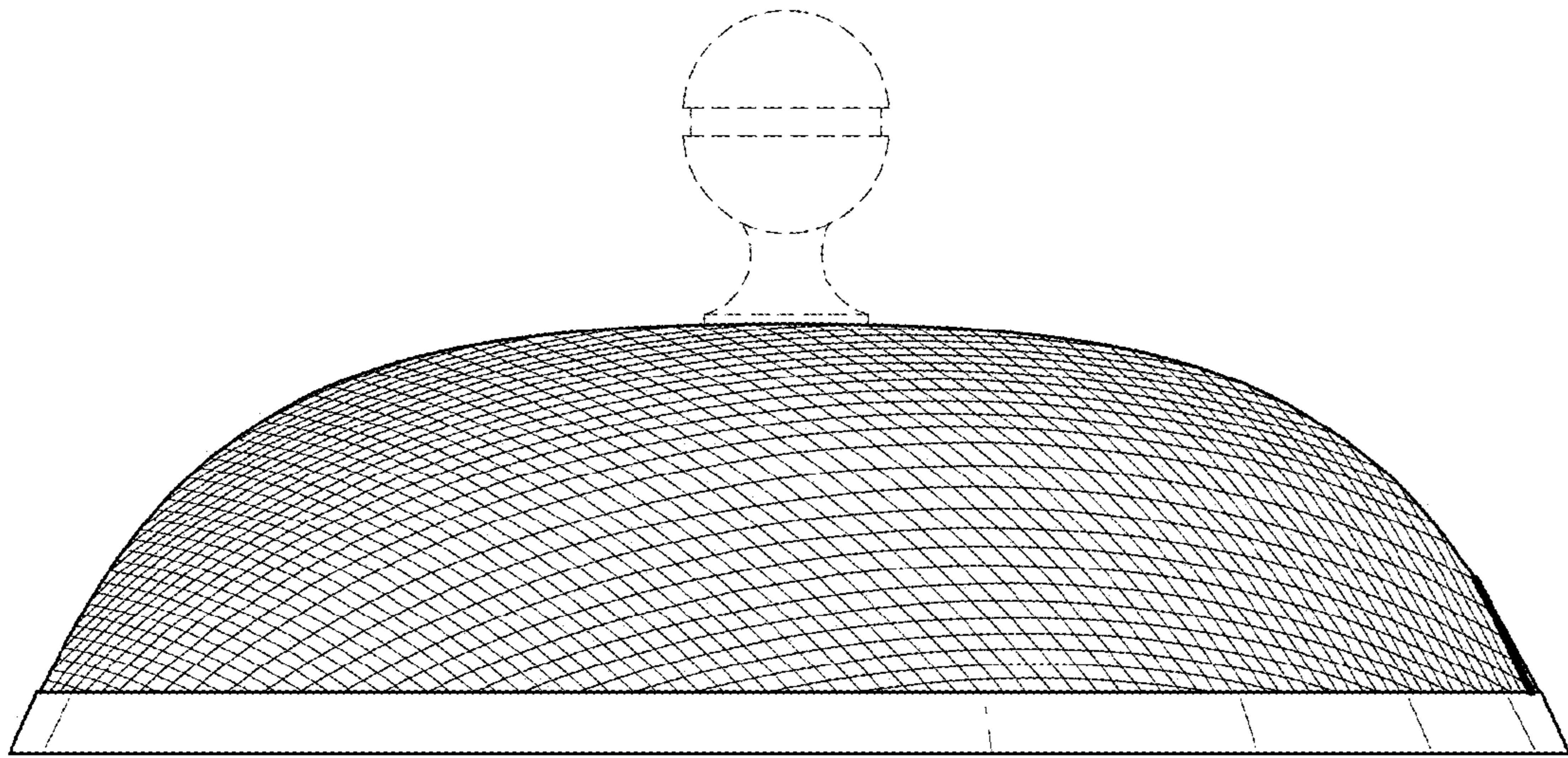


FIG. 2

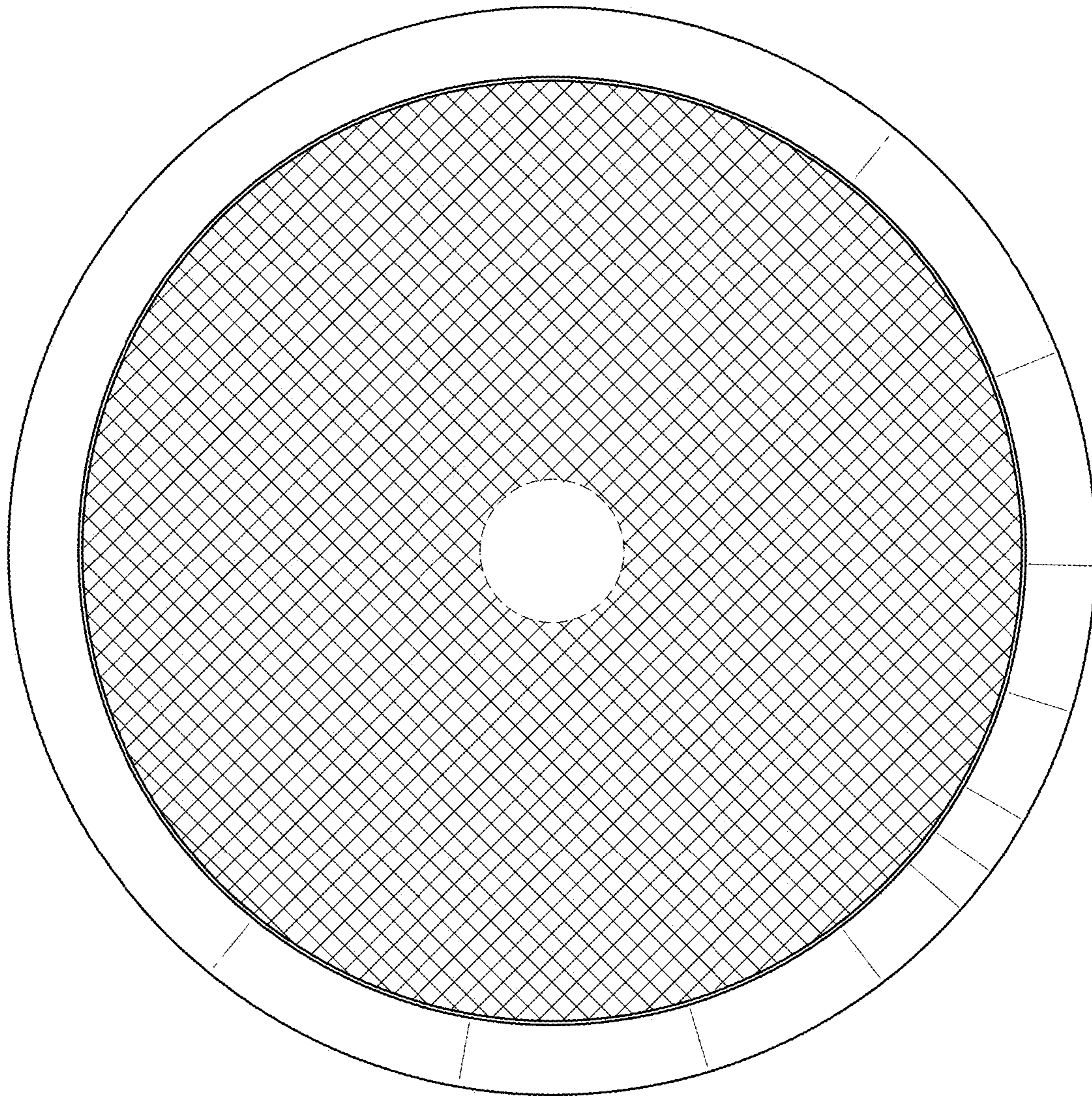


FIG. 3

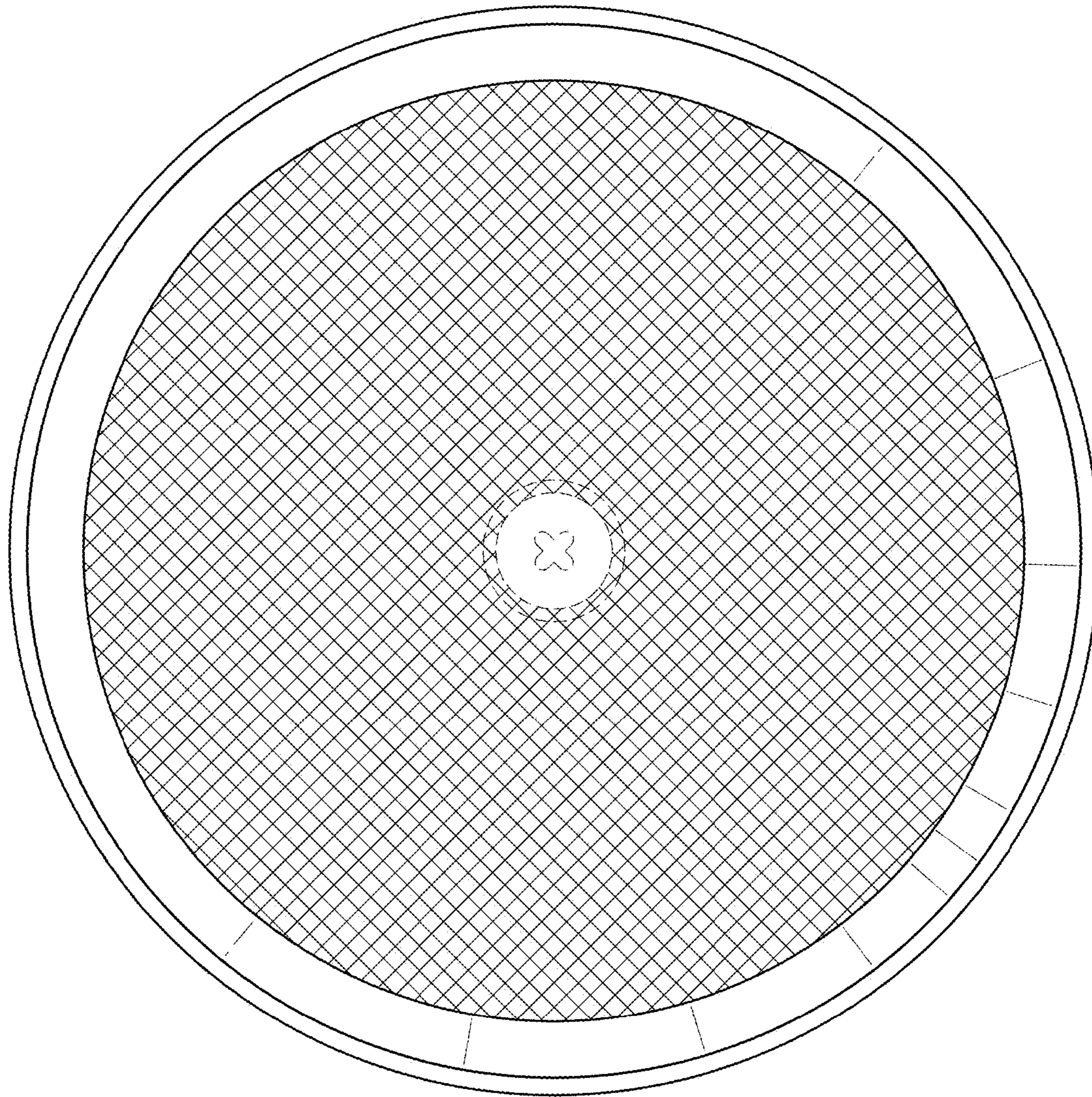


FIG. 4