



US00D739242S

(12) **United States Design Patent**
Pitera et al.

(10) **Patent No.:** **US D739,242 S**
(45) **Date of Patent:** **** Sep. 22, 2015**

(54) **CONTAINER FOR DISPOSABLE SPRAY GUN COMPONENTS**

7,017,834 B2 3/2006 Santa Cruz
D616,742 S * 6/2010 Lymn et al. D9/432
D681,444 S * 5/2013 Oja et al. D9/418

(71) Applicant: **3M INNOVATIVE PROPERTIES COMPANY**, St. Paul, MN (US)

(Continued)

(72) Inventors: **Dominic M. Pitera**, Minneapolis, MN (US); **Stephen C. P. Joseph**, Woodbury, MN (US)

FOREIGN PATENT DOCUMENTS

DE 202013101550 6/2013
EM 001110274-000 3/2009
EM 001651878-000 12/2009
FR 974276-001 11/1997
FR 043370-002 1/2005

(73) Assignee: **3M INNOVATIVE PROPERTIES COMPANY**, Saint Paul, MN (US)

(Continued)

(**) Term: **14 Years**

OTHER PUBLICATIONS

(21) Appl. No.: **29/476,670**

U.S. Appl. No. 61/916,593, filed Dec. 16, 2013, titled "Container for Disposable Spray Gun Components".

(22) Filed: **Dec. 16, 2013**

Primary Examiner — Robert M Spear

(51) **LOC (10) Cl.** **09-99**

Assistant Examiner — Marissa J Cash

(52) **U.S. Cl.**
USPC **D9/499**

(74) *Attorney, Agent, or Firm* — Aleksander Medved

(58) **Field of Classification Search**
USPC D11/95, 99; D5/20, 63; D9/414, 415, D9/423, 424, 425, 432, 433, 434, 435, 759, D9/760, 770; D19/1, 27; 206/775, 776, 206/557, 823; D7/546, 549, 602, 550.1, D7/703; 229/87.08, 123.1, 123.3, 221
CPC B65D 5/4204; B65D 15/08; B65D 1/34; B65D 65/22; B65D 2577/205; B65D 5/706; B65D 5/705; A45D 40/22
See application file for complete search history.

(57) **CLAIM**

The ornamental design for a container for disposable spray gun components, as shown and described.

DESCRIPTION

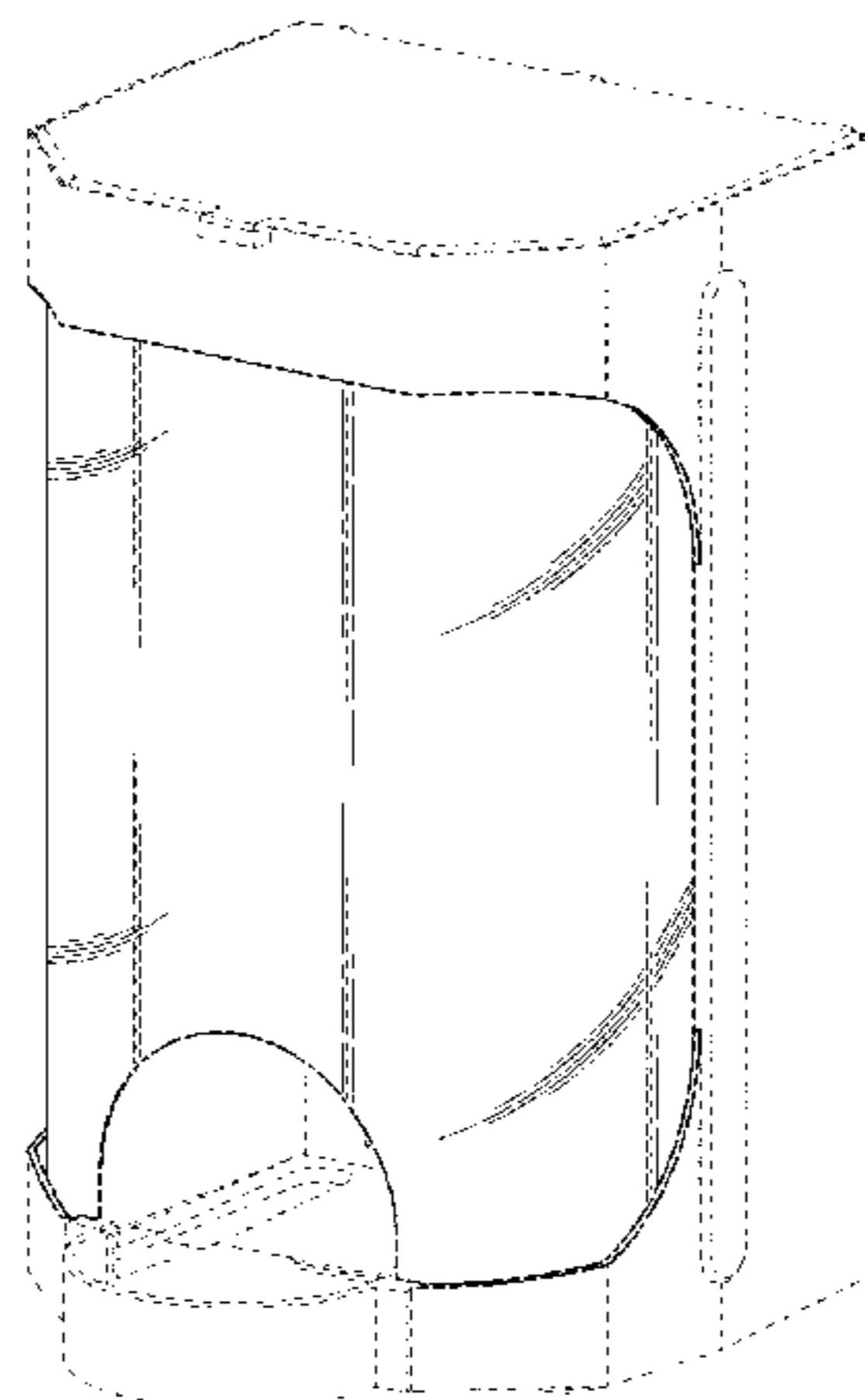
FIG. 1 is a perspective view of a container for disposable spray gun components embodying the new design;
FIG. 2 is a front view of a container for disposable spray gun components embodying the new design;
FIG. 3 is a rear view of a container for disposable spray gun components embodying the new design;
FIG. 4 is a left side view of a container for disposable spray gun components embodying the new design (the right side view is a mirror image of the left side view and therefore is not shown);
FIG. 5 is a top view of a container for disposable spray gun components embodying the new design; and,
FIG. 6 is a bottom view of a container for disposable spray gun components embodying the new design.
The broken line showing forms no part of the claimed design.

(56) **References Cited**

U.S. PATENT DOCUMENTS

D304,679 S * 11/1989 Corella D9/734
D315,078 S * 3/1991 Nikolaiczky et al. D7/391
D320,934 S * 10/1991 Cross et al. D9/415
D321,647 S * 11/1991 Oldorf D9/734
5,429,233 A * 7/1995 Juaristi 206/705
D433,331 S * 11/2000 Denham et al. D9/432
D443,204 S * 6/2001 Garrant et al. D9/415

1 Claim, 5 Drawing Sheets



(56)

References Cited

FOREIGN PATENT DOCUMENTS

U.S. PATENT DOCUMENTS

D684,851 S * 6/2013 Clark et al. D9/414
D693,213 S * 11/2013 Lee et al. D9/415
2005/0242107 A1 11/2005 Kosmyna
2013/0277272 A1* 10/2013 Oja et al. 206/775
2013/0327850 A1* 12/2013 Joseph et al. 239/424

FR 043370-003 1/2005
FR 043370-004 1/2005
FR 043370-005 1/2005
JP 1382353 3/2010
RU 81975 6/2012

* cited by examiner

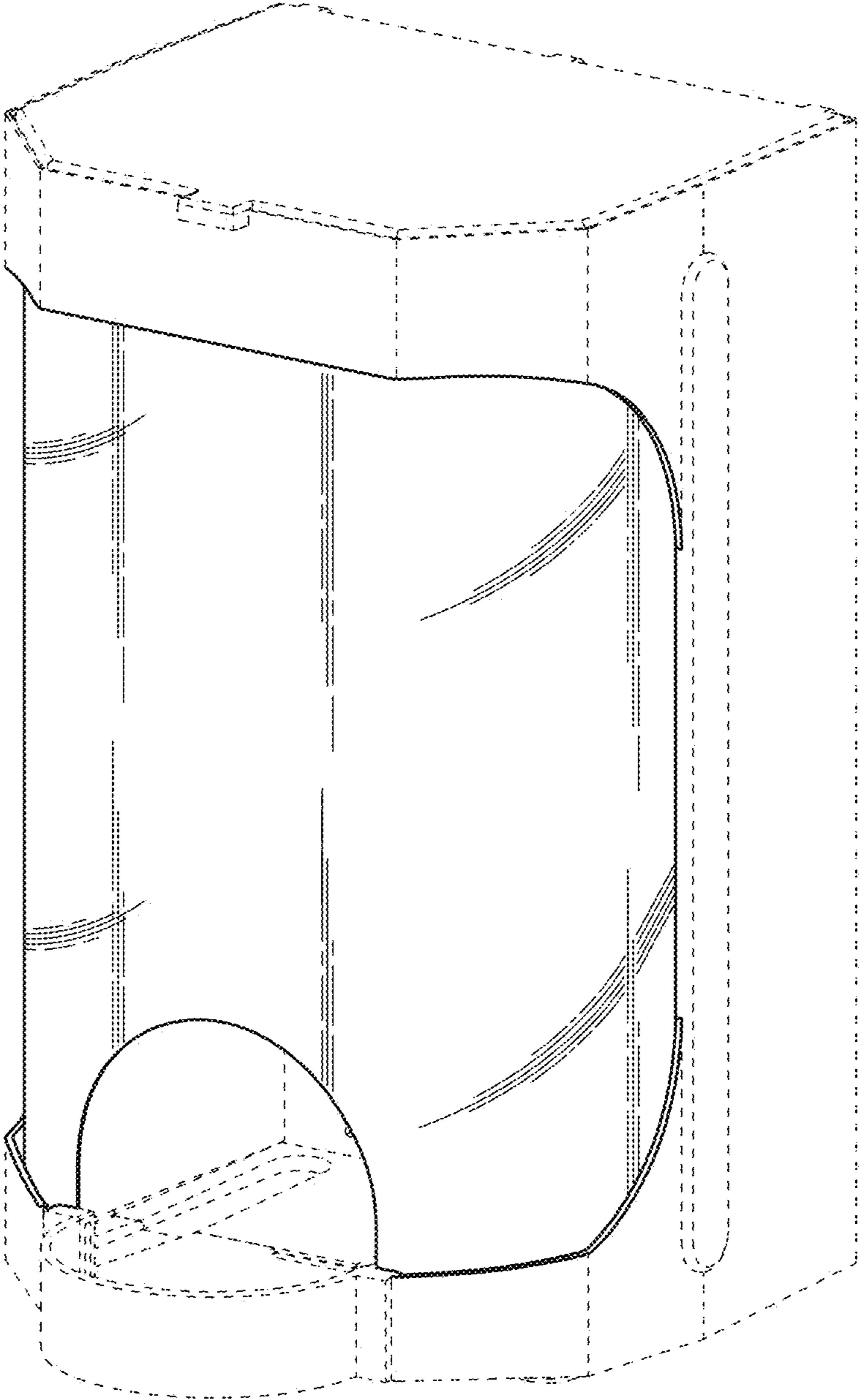


Fig. 1

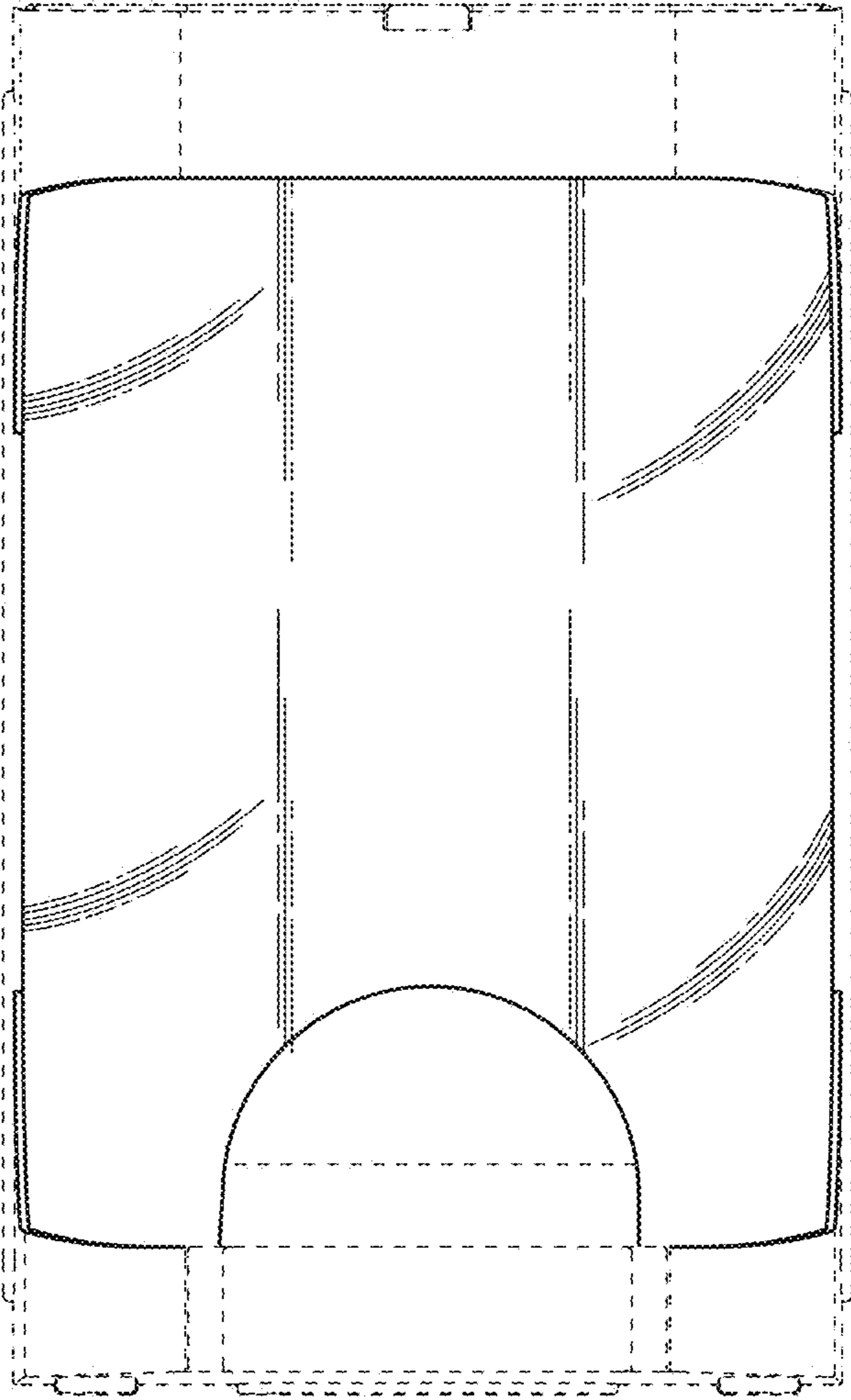


Fig. 2

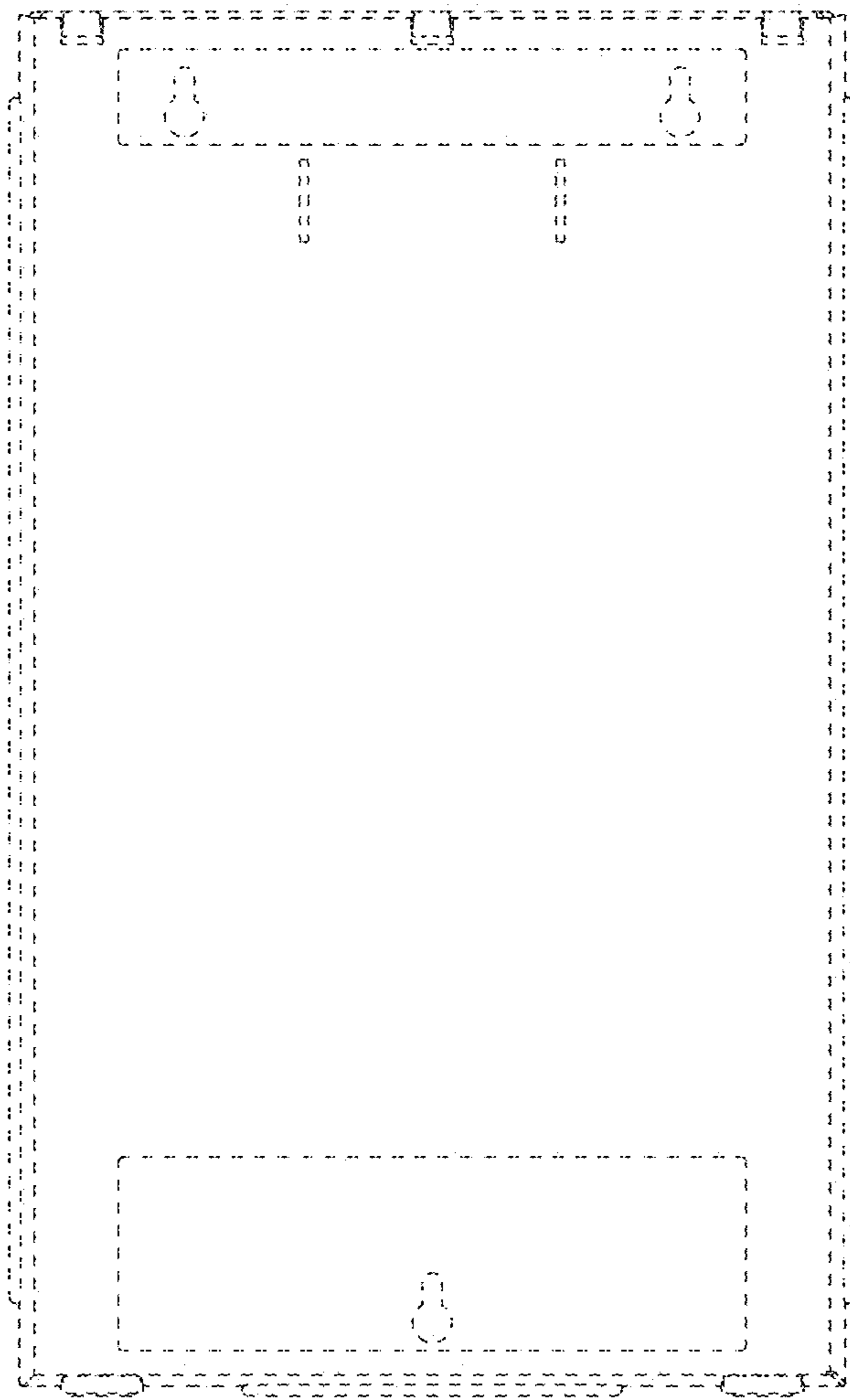


Fig. 3

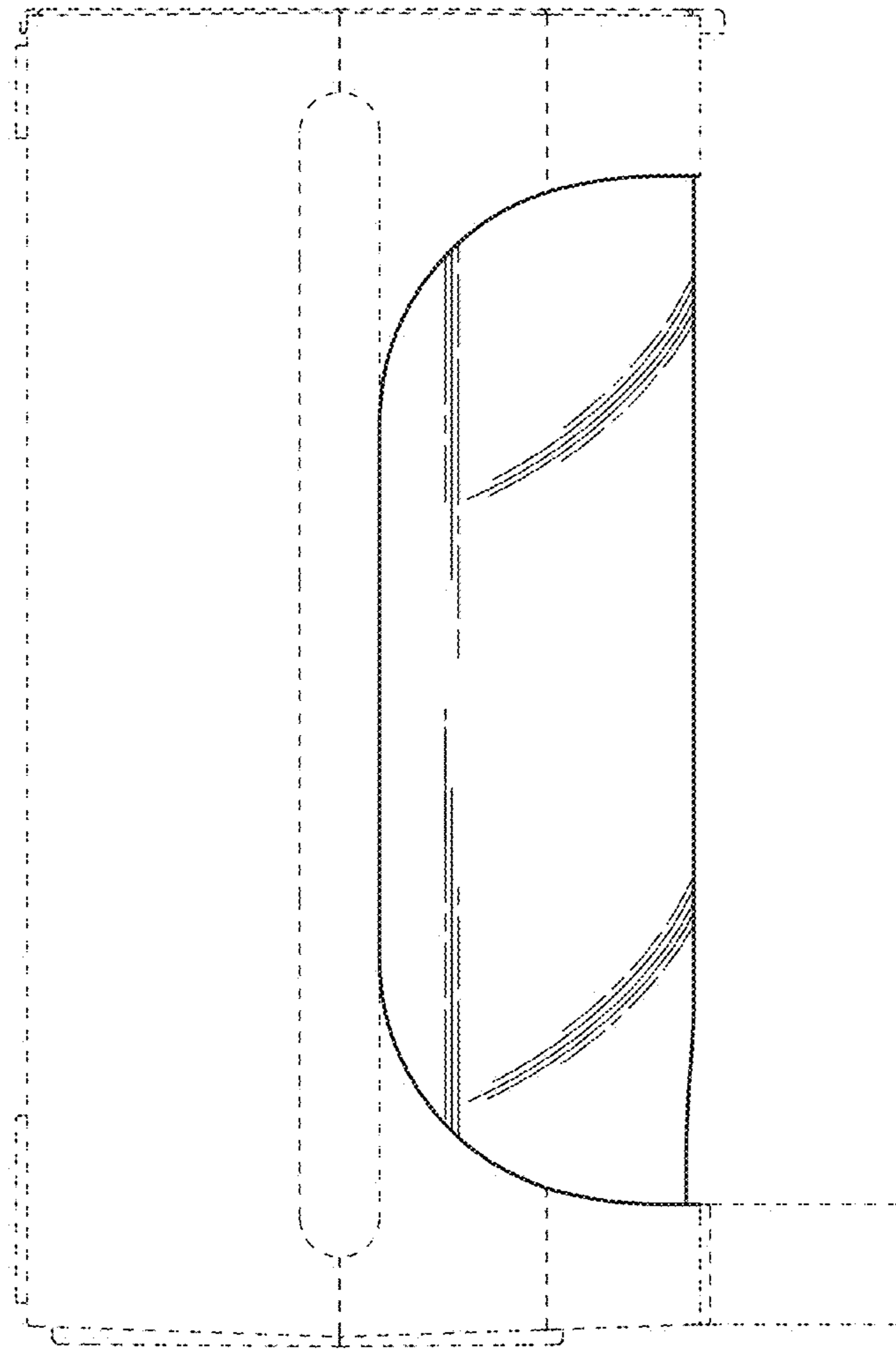


Fig. 4

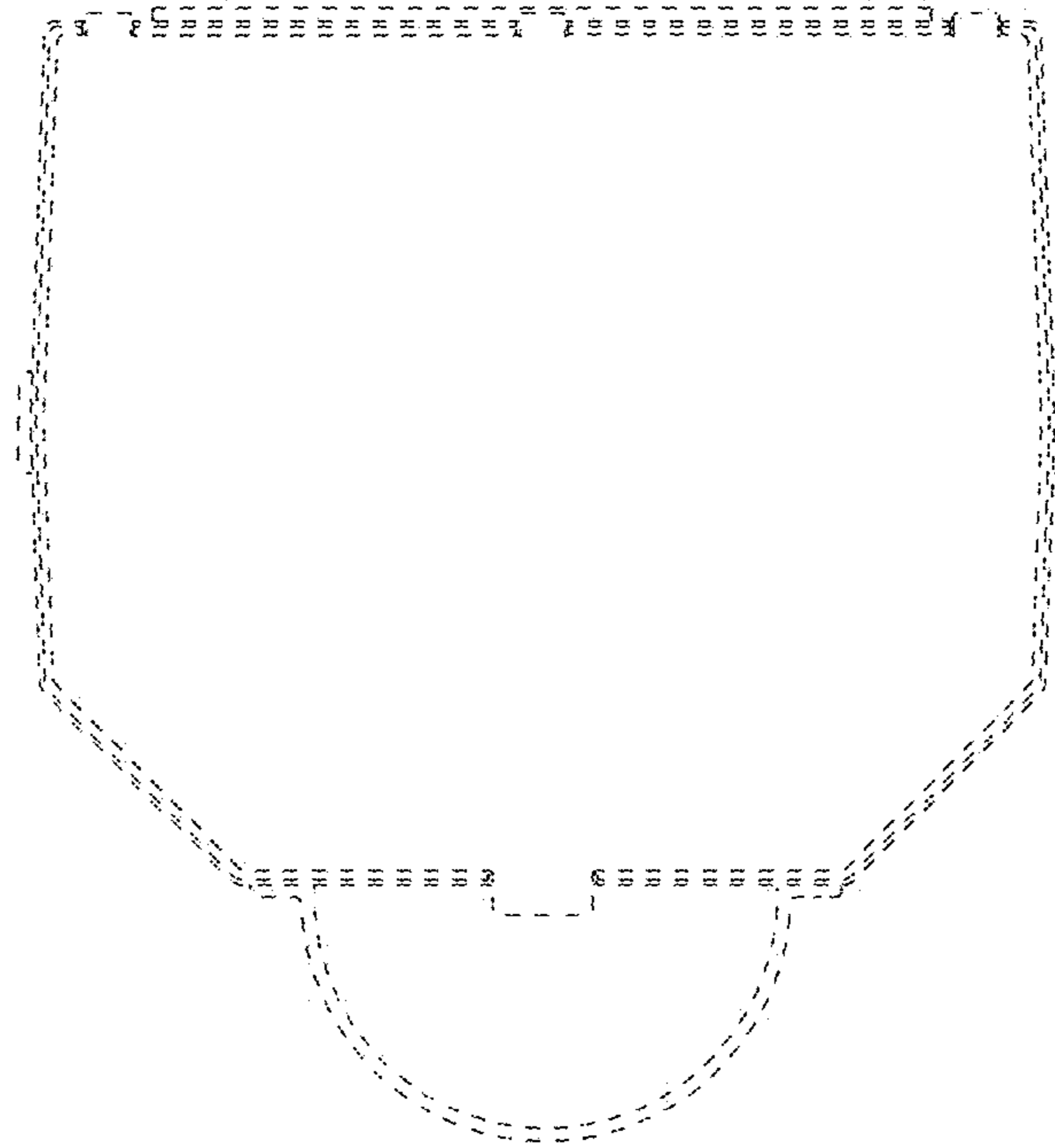


Fig. 5

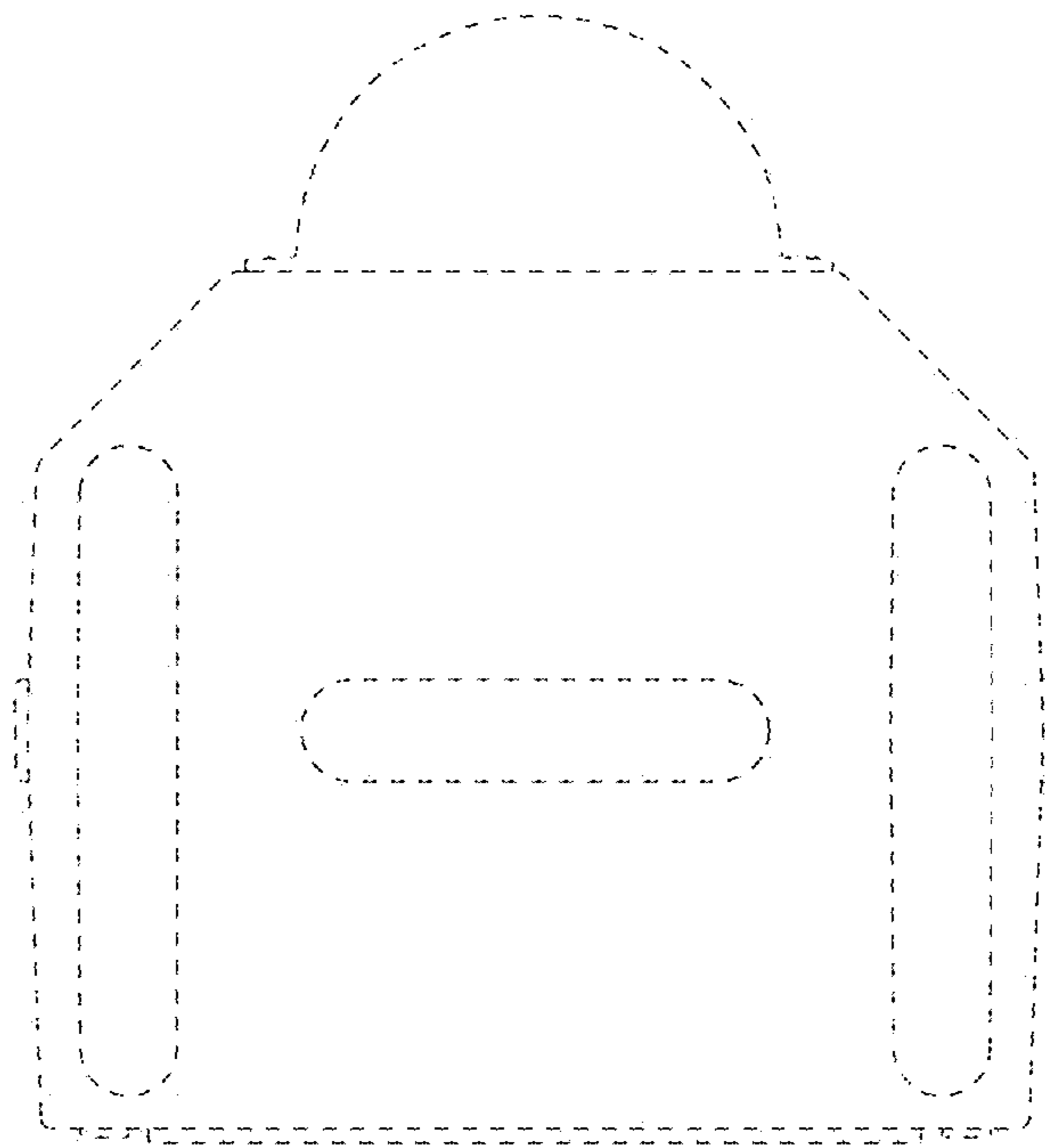


Fig. 6