



US00D739240S

(12) **United States Design Patent**  
**Satterfield et al.**

(10) **Patent No.:** **US D739,240 S**

(45) **Date of Patent:** **\*\* Sep. 22, 2015**

- (54) **BEVERAGE CONTAINER STRAP**
- (71) Applicants: **Melissa Satterfield**, Sherman Oaks, CA (US); **Miriam Abbey**, Sherman Oaks, CA (US)
- (72) Inventors: **Melissa Satterfield**, Sherman Oaks, CA (US); **Miriam Abbey**, Sherman Oaks, CA (US)

4,244,469	A *	1/1981	Miner	.....	206/349
D263,254	S *	3/1982	Ogle	.....	D24/128
D333,071	S	2/1993	Lim		
5,454,497	A *	10/1995	Kettelson	.....	224/148.6
6,035,659	A *	3/2000	Fernandez	.....	62/457.4
D547,653	S *	7/2007	Wong	.....	D9/444
D625,513	S *	10/2010	Carnes et al.	.....	D3/229
7,896,205	B1 *	3/2011	Gonzalez et al.	.....	224/148.6
2007/0138217	A1 *	6/2007	Hranilovich	.....	224/148.6
2013/0341341	A1 *	12/2013	Giedroyce	.....	220/754

\* cited by examiner

(\*\*) Term: **14 Years**

*Primary Examiner* — Robert M Spear

(21) Appl. No.: **29/479,391**

(74) *Attorney, Agent, or Firm* — Crossley Patent Law

(22) Filed: **Jan. 15, 2014**

(57) **CLAIM**

(51) **LOC (10) Cl.** ..... **09-07**

The ornamental design for a beverage container strap, as shown and described.

(52) **U.S. Cl.**

**DESCRIPTION**

USPC ..... **D9/455**; D7/396.2

(58) **Field of Classification Search**

USPC ..... D7/396.2, 607, 622; D9/434, 435, 436, D9/455, 456, 499; D3/229, 309; 220/752, 220/754; 224/148.2, 148.6; 294/31.1, 32

CPC ..... A45F 5/00; A45F 2005/1033

See application file for complete search history.

FIG. 1 is a front elevation view of a beverage container strap showing our new design, the opposite side being a mirror image of the shown;  
FIG. 2 is a right side elevation view thereof, the opposite side being a mirror image of the shown;  
FIG. 3 is a top plan view thereof;  
FIG. 4 is a bottom plan view thereof; and,  
FIG. 5 is an isometric view thereof.

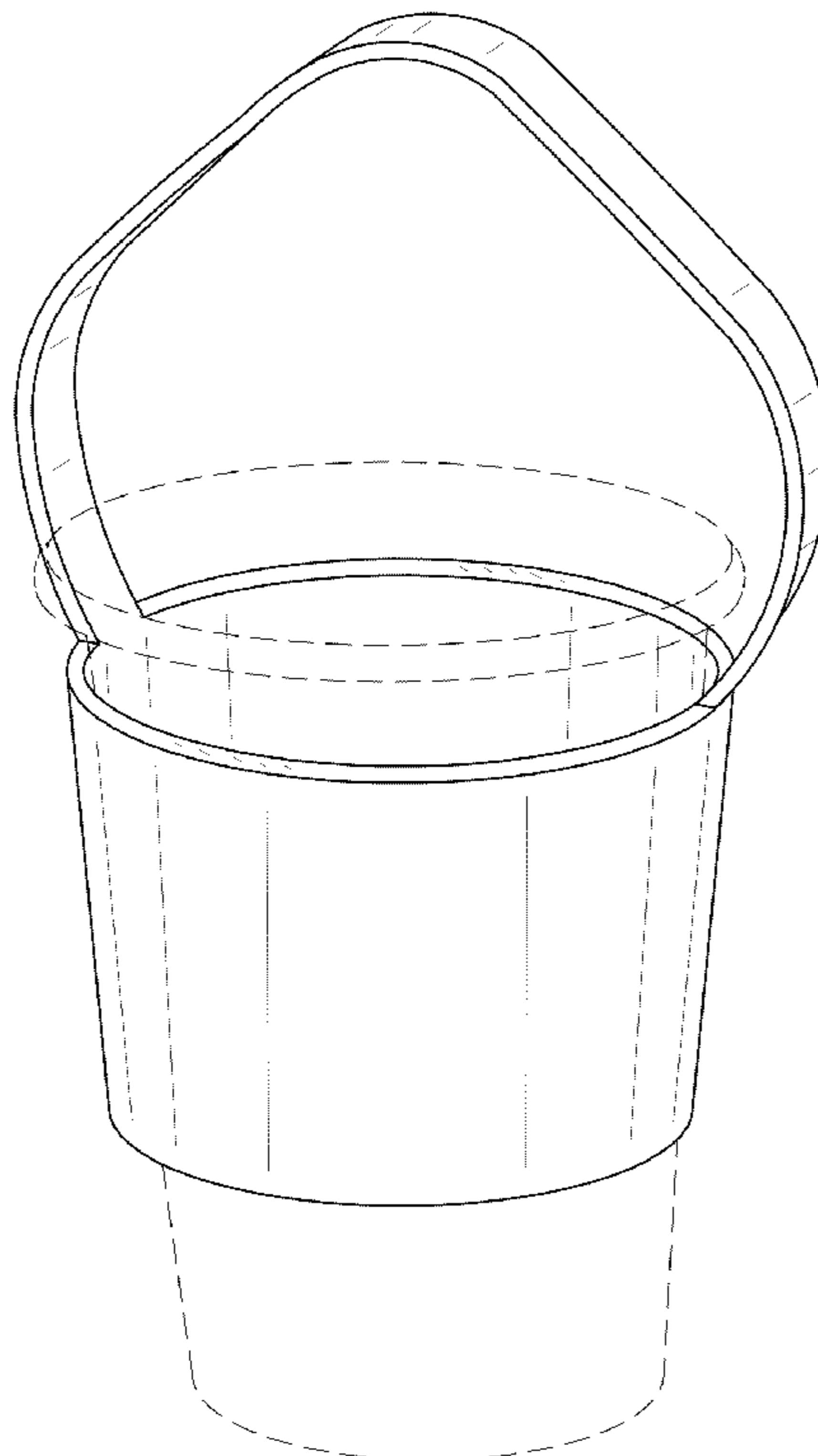
(56) **References Cited**

**U.S. PATENT DOCUMENTS**

2,982,434	A *	5/1961	Hidding	.....	215/398
3,688,935	A *	9/1972	Owen et al.	.....	215/397
3,807,679	A *	4/1974	Burke et al.	.....	248/690
4,022,416	A *	5/1977	Kaye et al.	.....	248/318

The broken lines in FIG. 5 of the drawings depict a beverage container as environmental subject matter only and form no part of the claimed design.

**1 Claim, 4 Drawing Sheets**



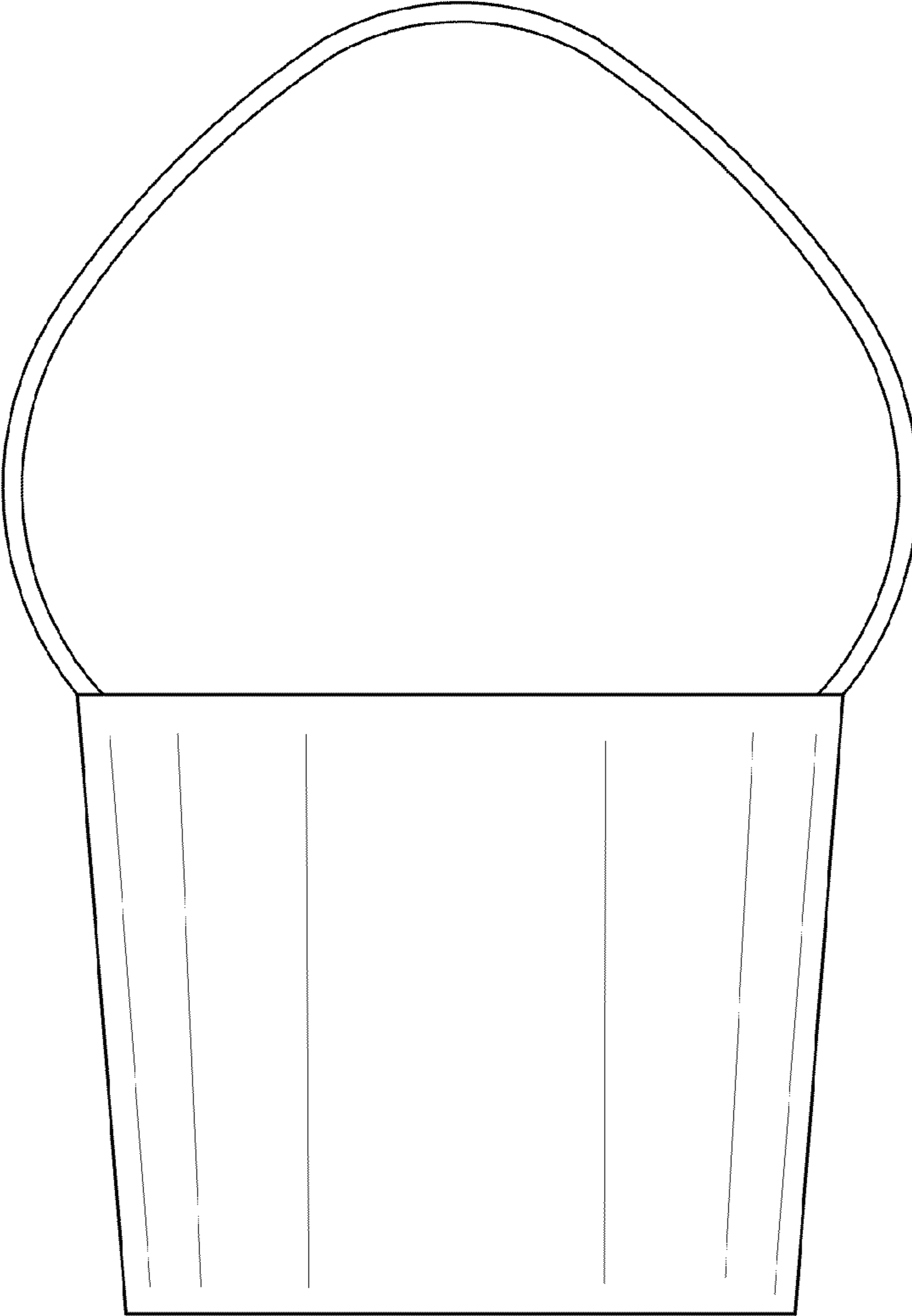


FIG. 1

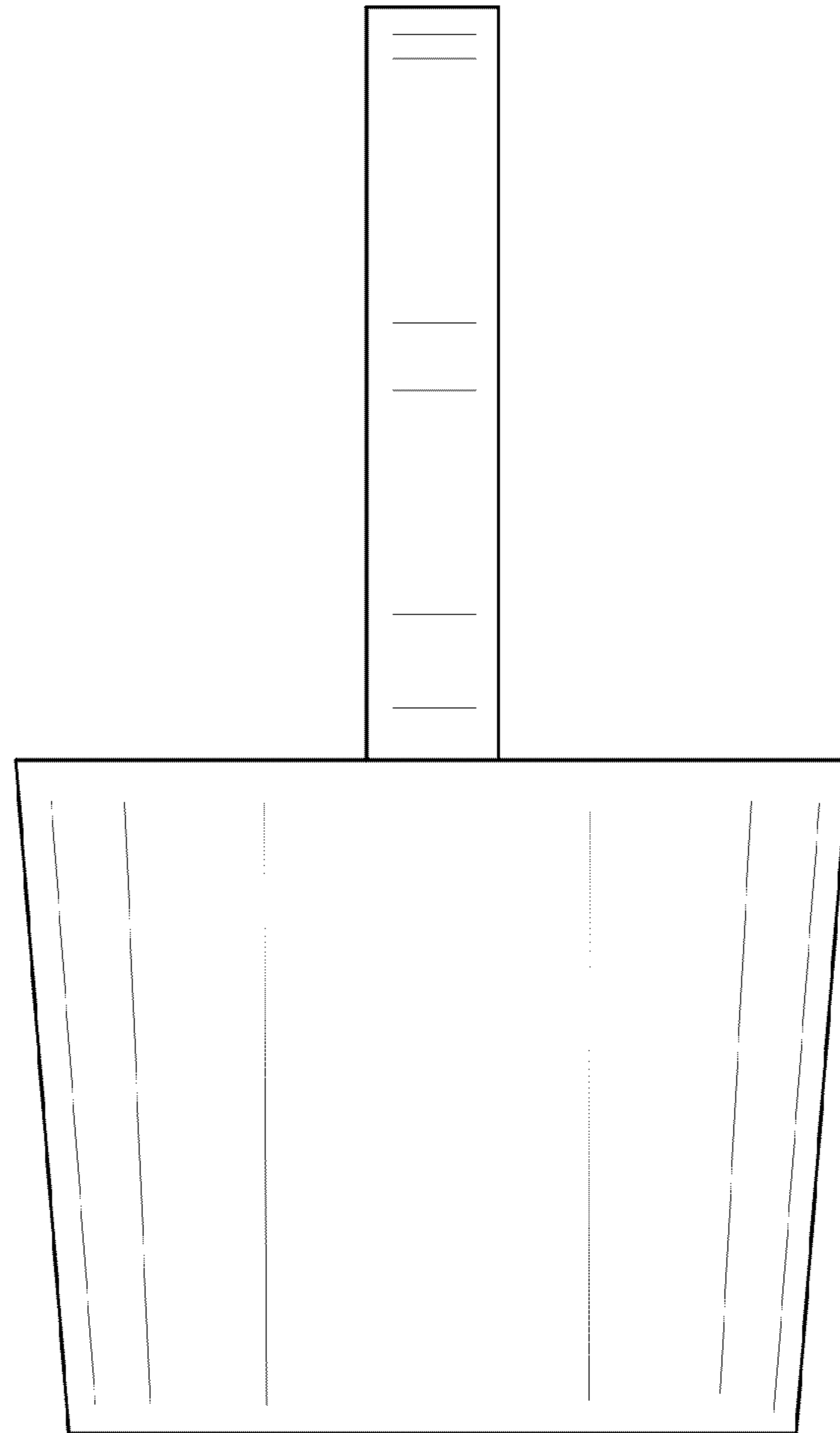


FIG. 2

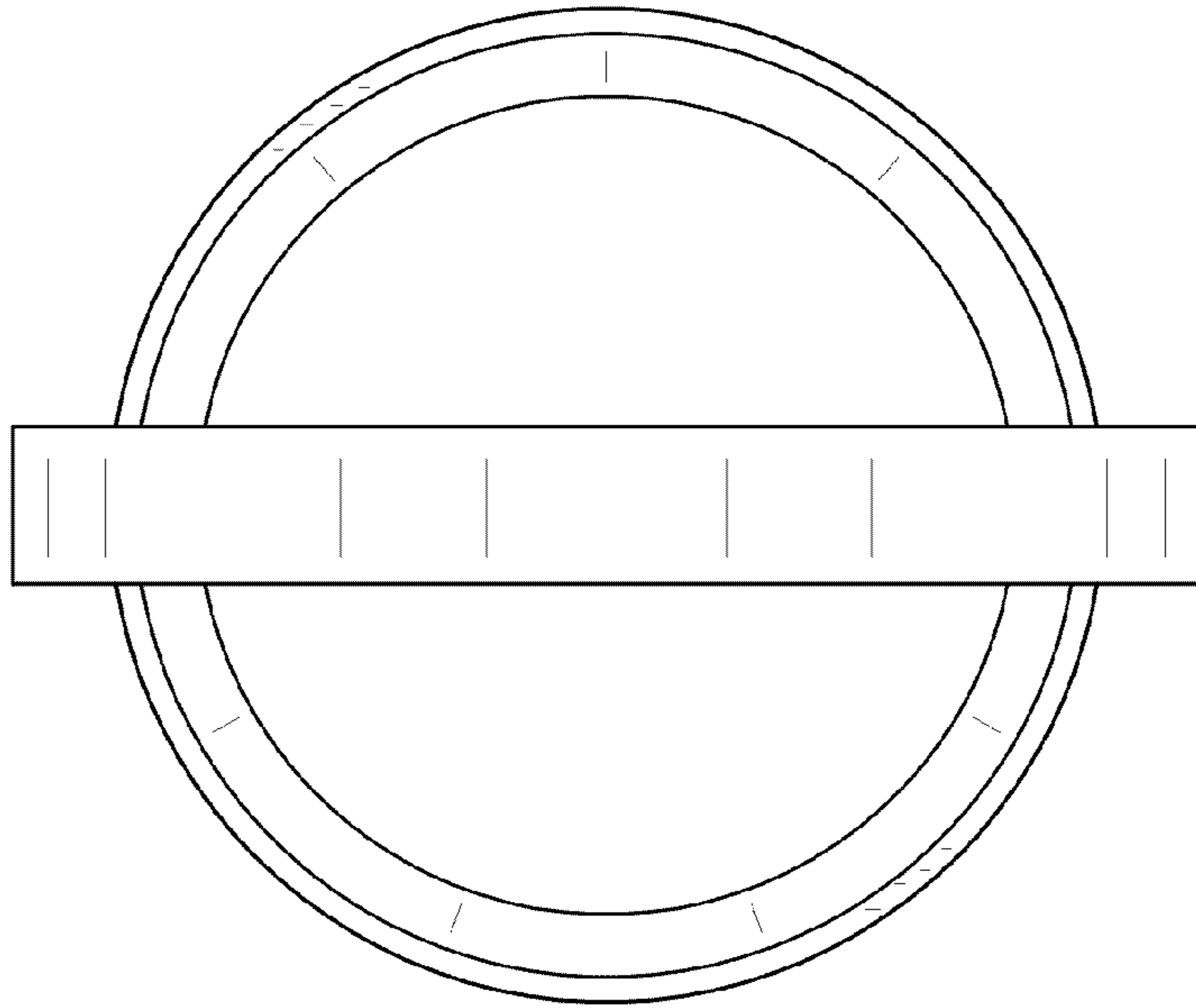


FIG. 3

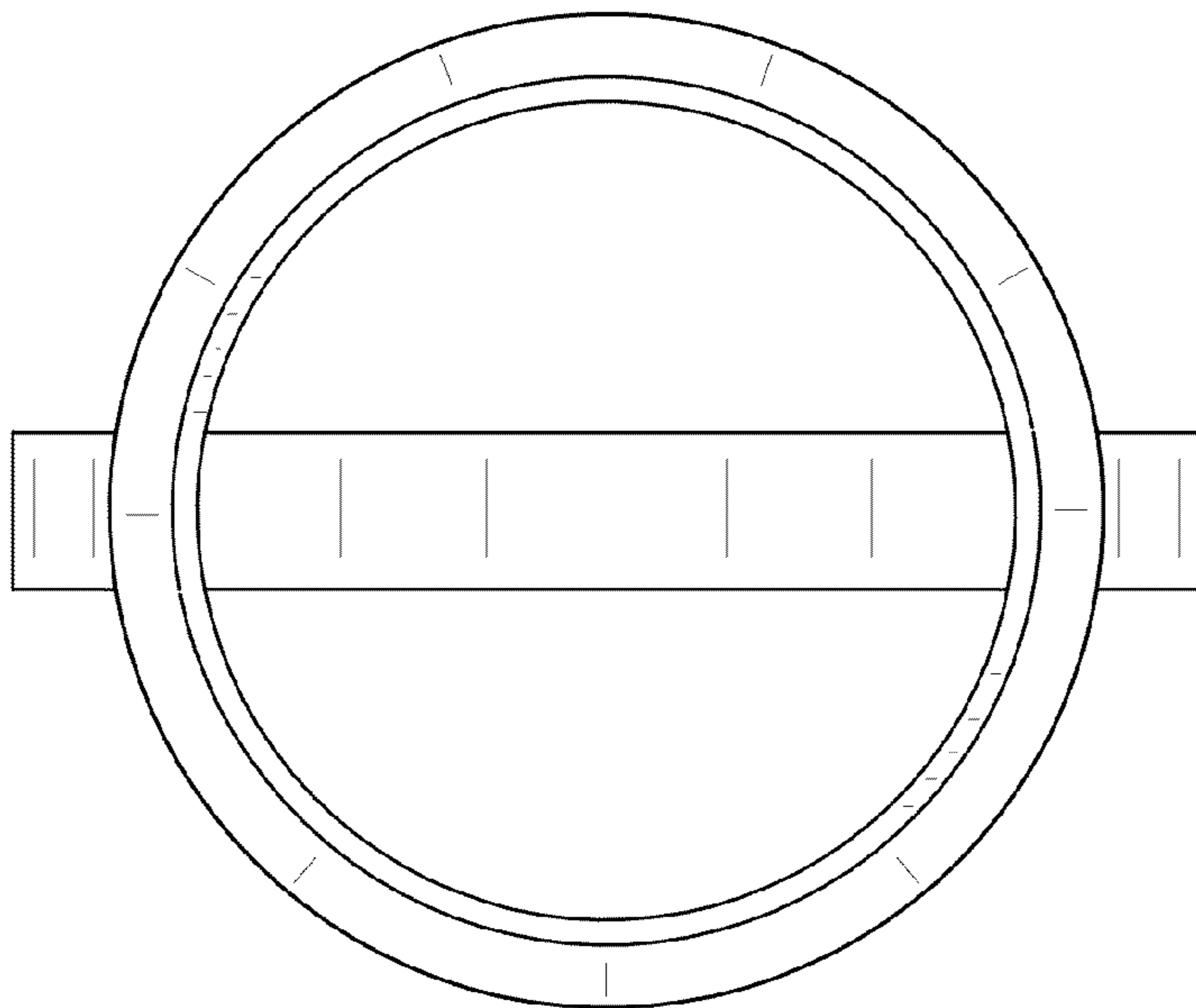


FIG. 4

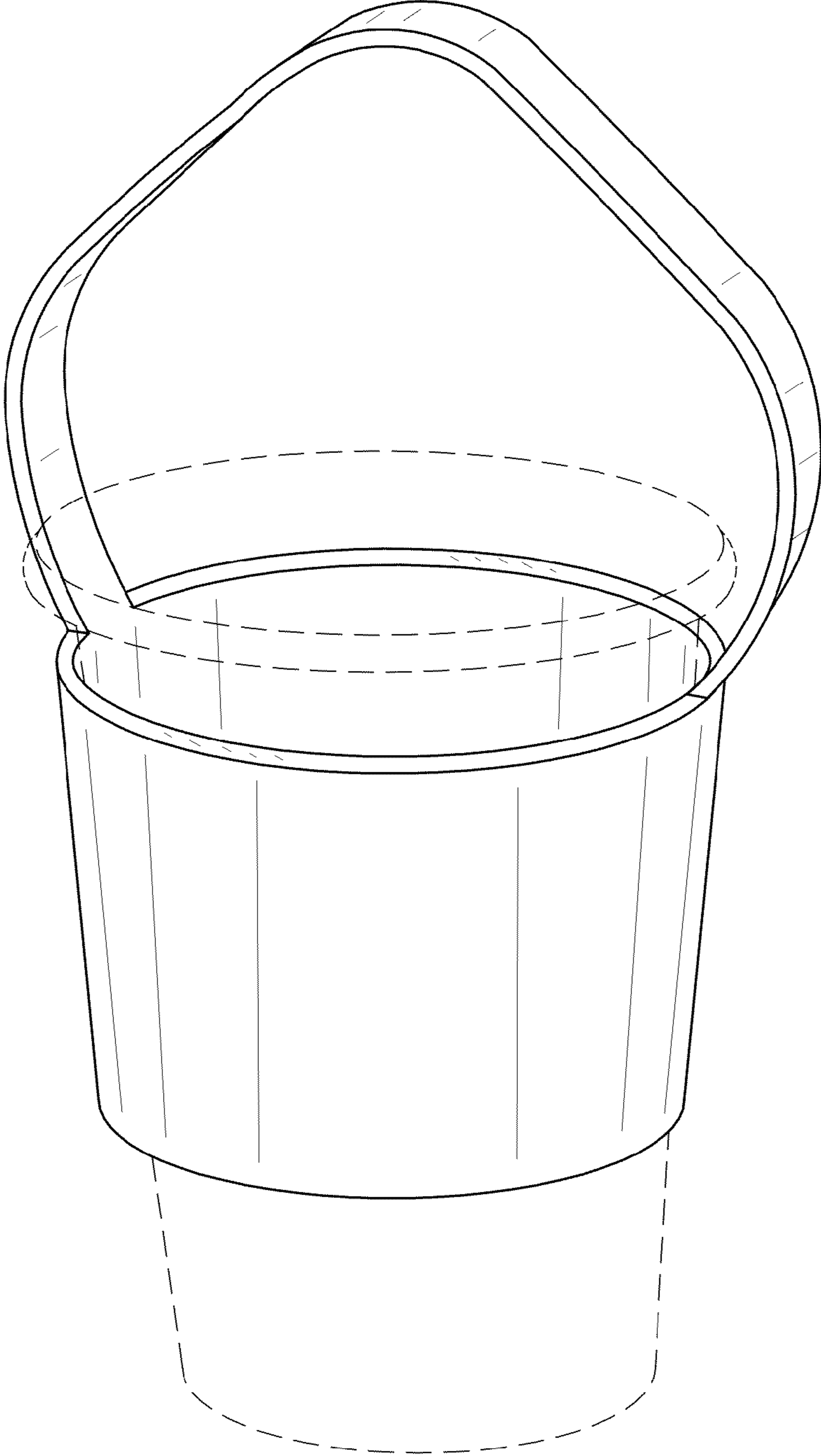


FIG. 5