



US00D739239S

(12) **United States Design Patent**
Seifer

(10) **Patent No.:** **US D739,239 S**

(45) **Date of Patent:** **** Sep. 22, 2015**

(54) **CAP**
(71) Applicant: **Sulzer Mixpac AG**, Haag (CH)
(72) Inventor: **Ralf Seifer**, Sargans (CH)
(73) Assignee: **SULZER MIXPAC AG**, Haag (CH)
(**) Term: **14 Years**
(21) Appl. No.: **29/461,701**
(22) Filed: **Jul. 26, 2013**

(30) **Foreign Application Priority Data**

Feb. 13, 2013 (CH) 139 632

(51) **LOC (10) Cl.** **09-07**

(52) **U.S. Cl.**
USPC **D9/453**

(58) **Field of Classification Search**
USPC D9/434, 435, 436, 440, 443, 444, 445,
D9/449, 452, 454, 499; 132/304; 206/221,
206/222; 215/216; 220/253, 713; 222/525
CPC B65D 50/061; B65D 5/748
See application file for complete search history.

(56) **References Cited**

U.S. PATENT DOCUMENTS

3,860,133 A * 1/1975 Boxer et al. 215/206
D249,955 S * 10/1978 Vogelsang D23/261

D419,069 S * 1/2000 Beck et al. D9/443
D445,678 S * 7/2001 Malmberg D9/434
D445,679 S * 7/2001 Malmberg D9/434
D445,681 S * 7/2001 Kimble et al. D9/434
D467,803 S * 12/2002 Brown et al. D9/443
D471,455 S * 3/2003 Laveault et al. D9/443
D553,716 S * 10/2007 Lockard D23/259
D612,914 S * 3/2010 Morad D23/261
D673,244 S * 12/2012 Magargal et al. D23/260
D679,597 S * 4/2013 Tamarindo D9/452
2005/0236425 A1 * 10/2005 Casale et al. 222/83.5
2009/0020558 A1 * 1/2009 Bolli 222/83

* cited by examiner

Primary Examiner — Robert M Spear

Assistant Examiner — Darcey E Heflin

(74) *Attorney, Agent, or Firm* — Global IP Counselors, LLP

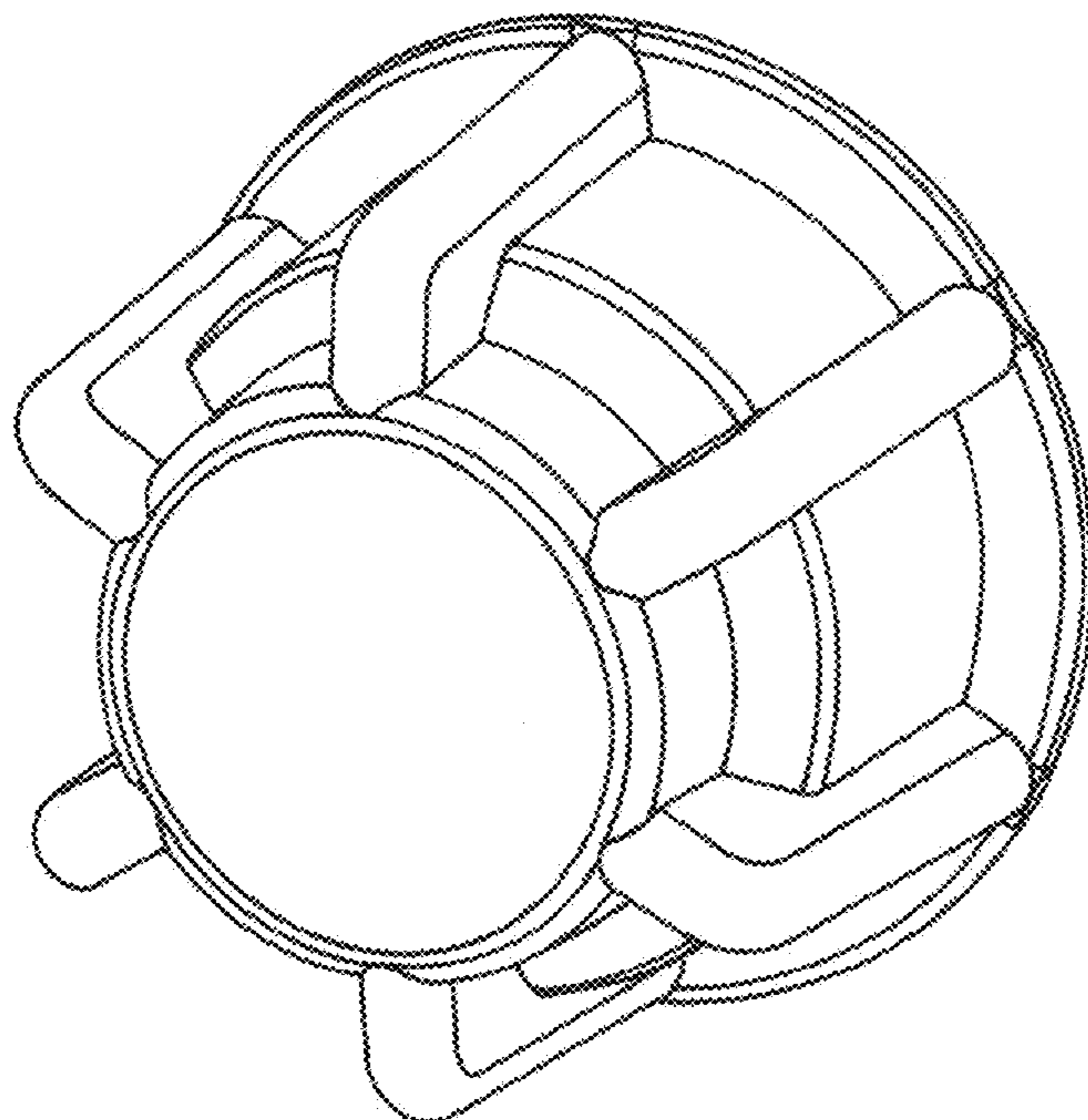
(57) **CLAIM**

The ornamental design for a cap, as shown and described herein.

DESCRIPTION

FIG. 1 illustrates a side view of a cap showing my new design;
FIG. 2 illustrates a side view thereof;
FIG. 3 illustrates a side view thereof;
FIG. 4 illustrates a side view thereof;
FIG. 5 illustrates a top view thereof;
FIG. 6 illustrates a bottom view thereof; and,
FIG. 7 illustrates a perspective view thereof.

1 Claim, 7 Drawing Sheets



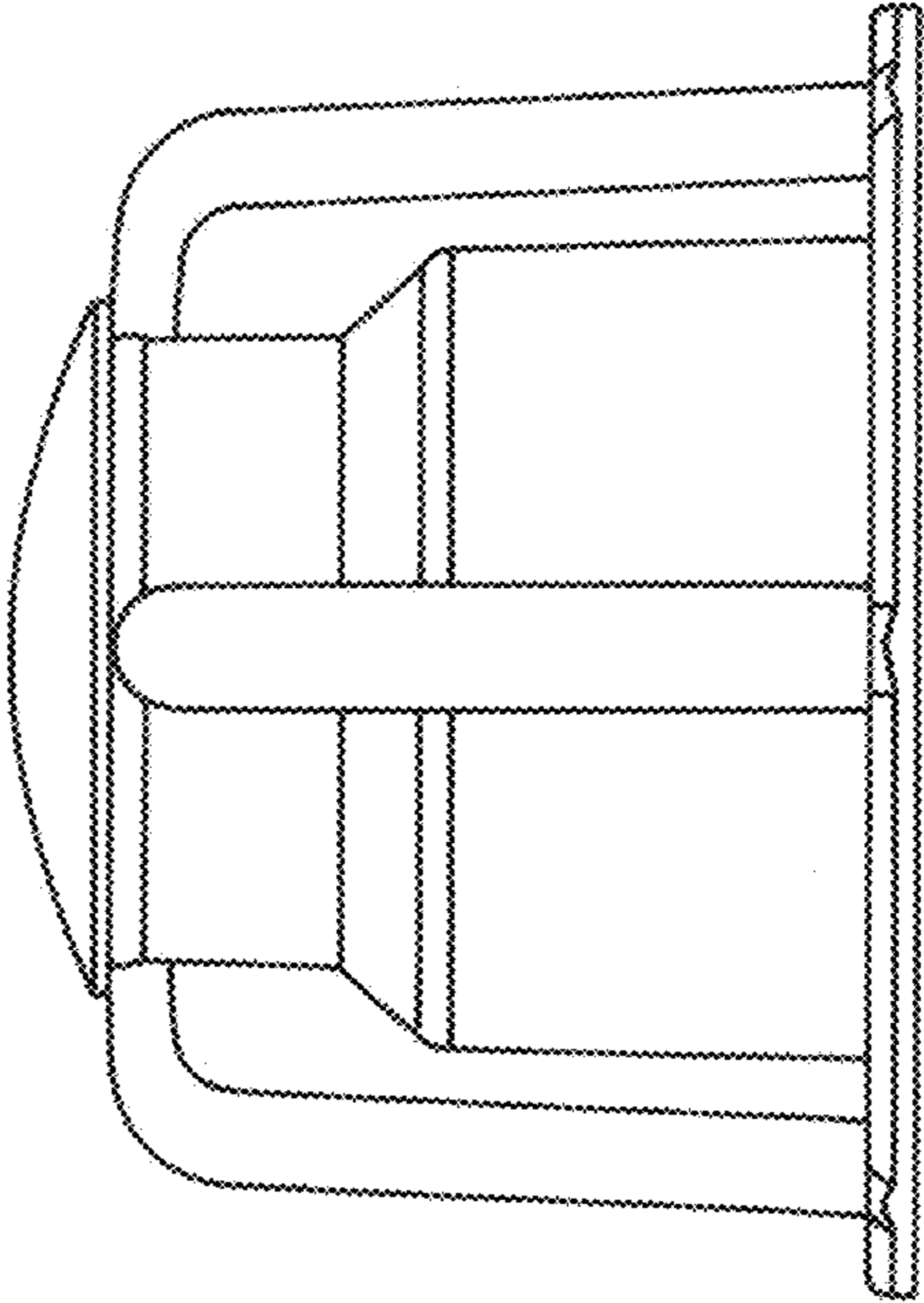


Figure 1

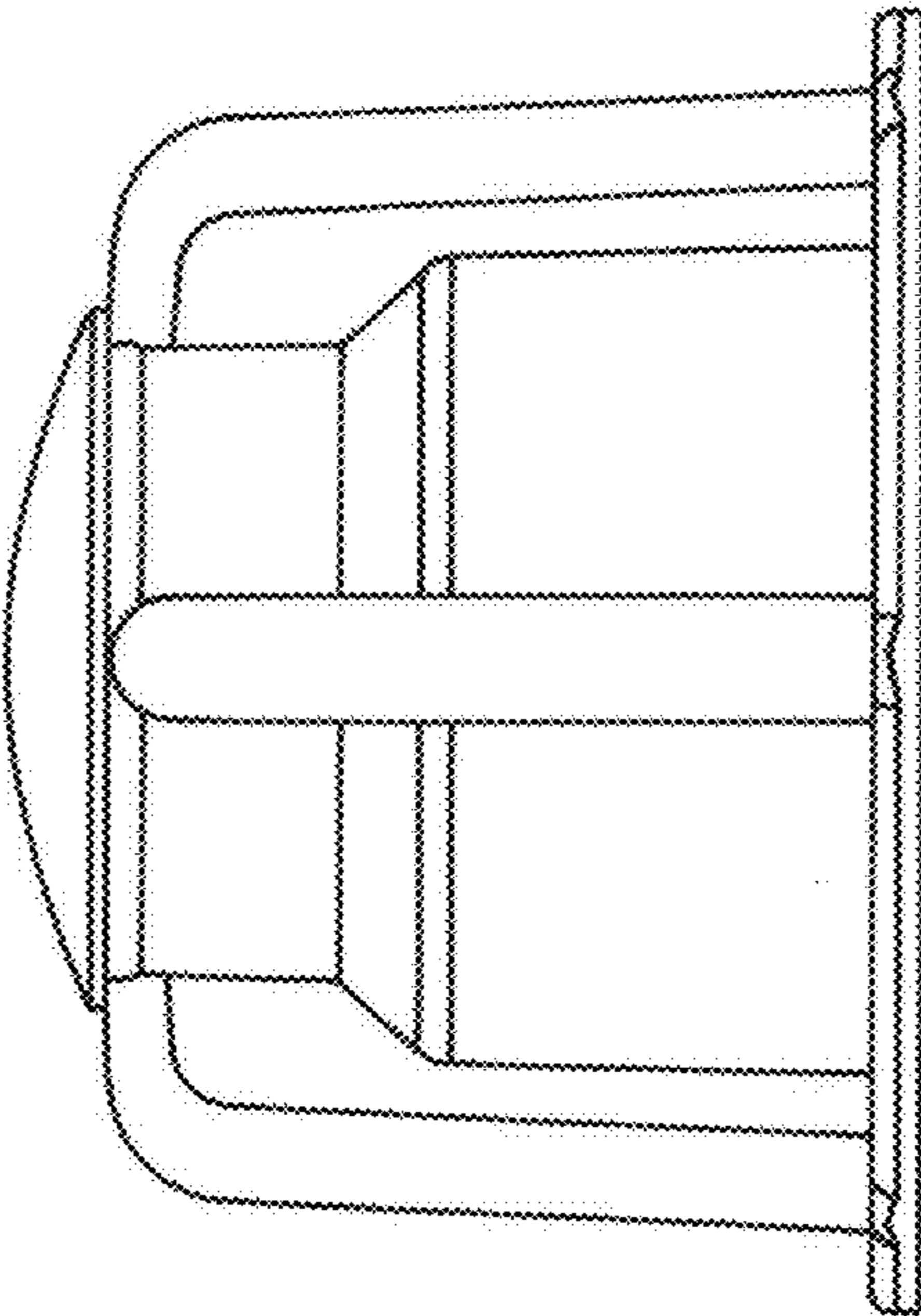


Figure 2

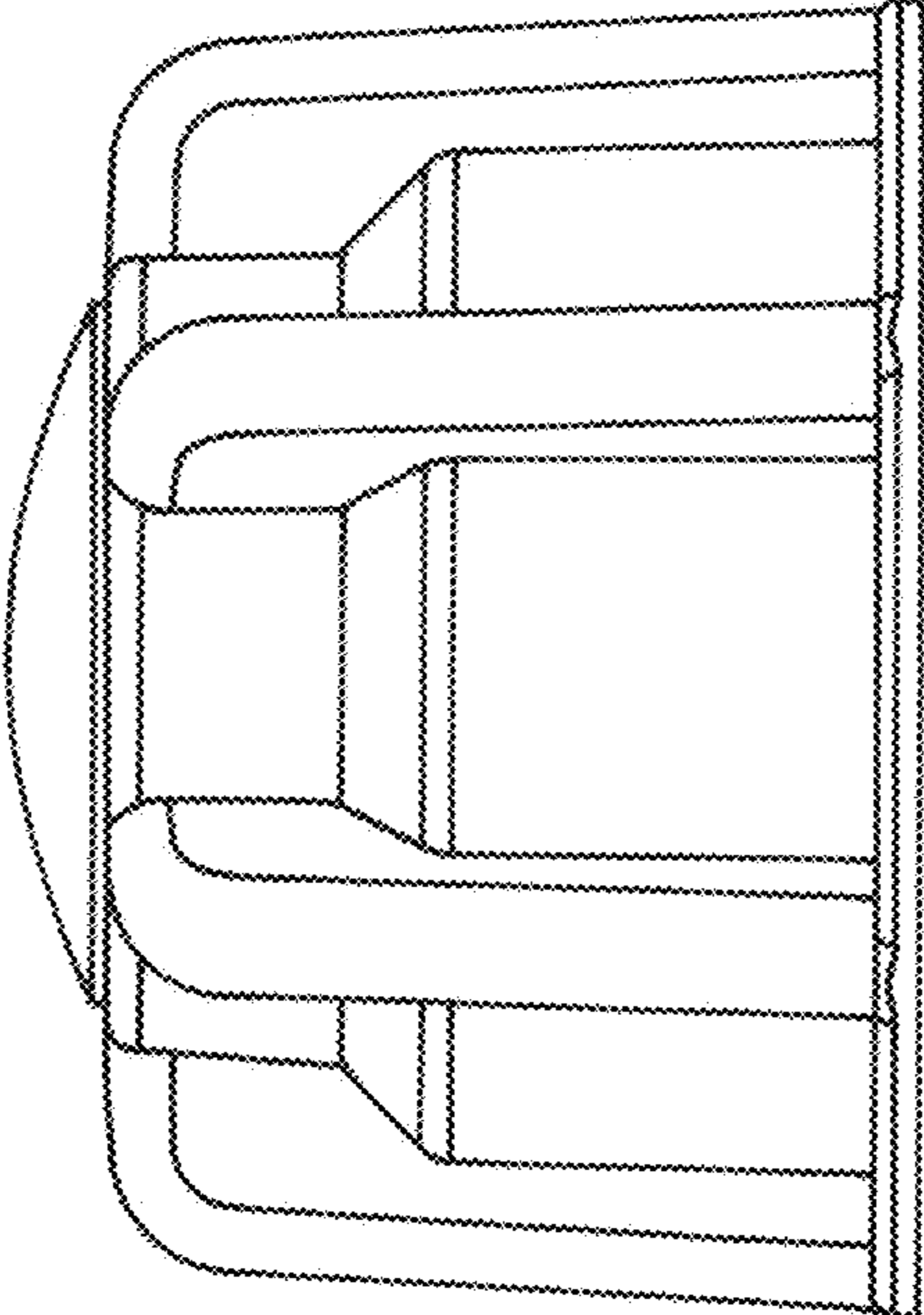


Figure 3

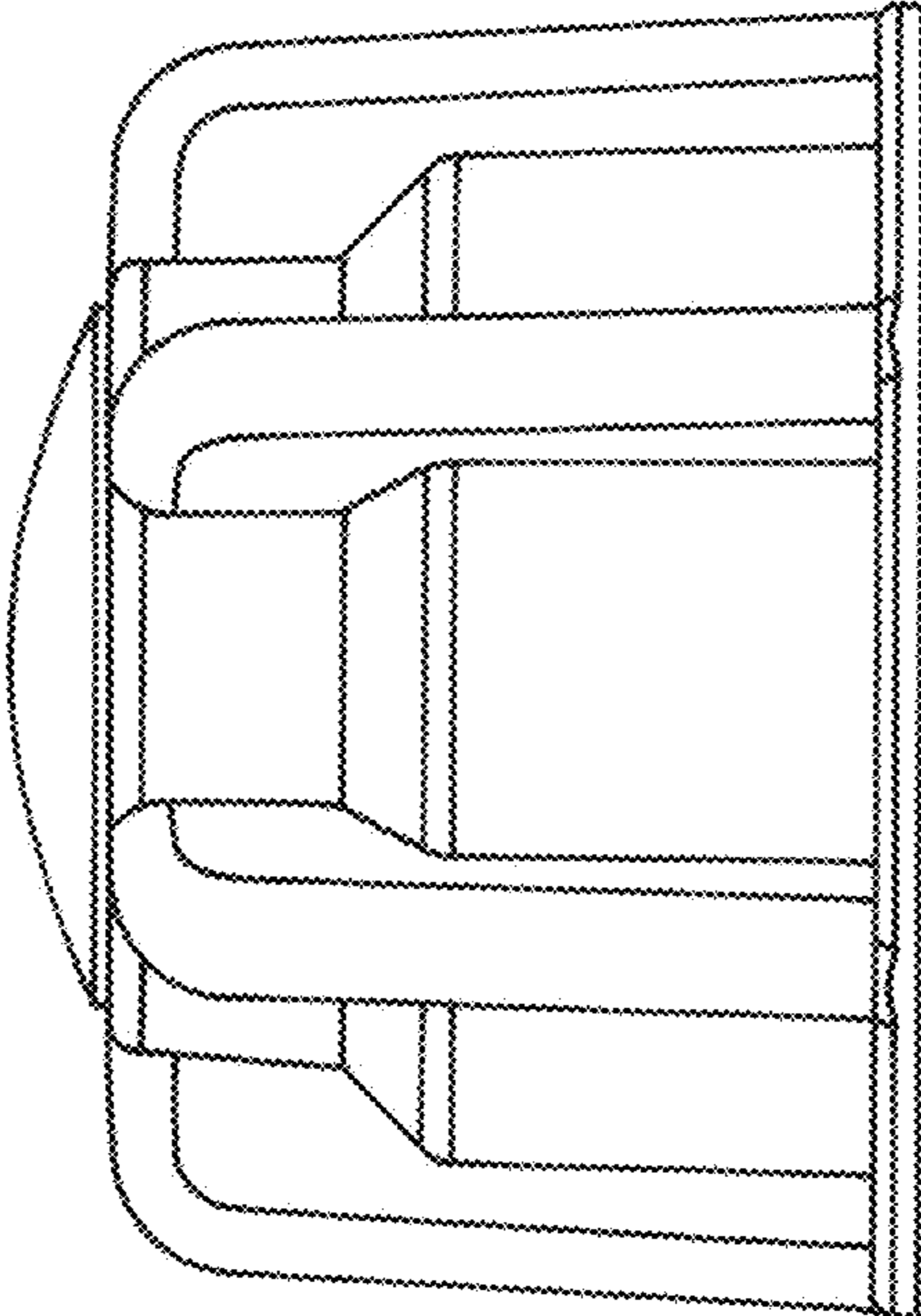


Figure 4

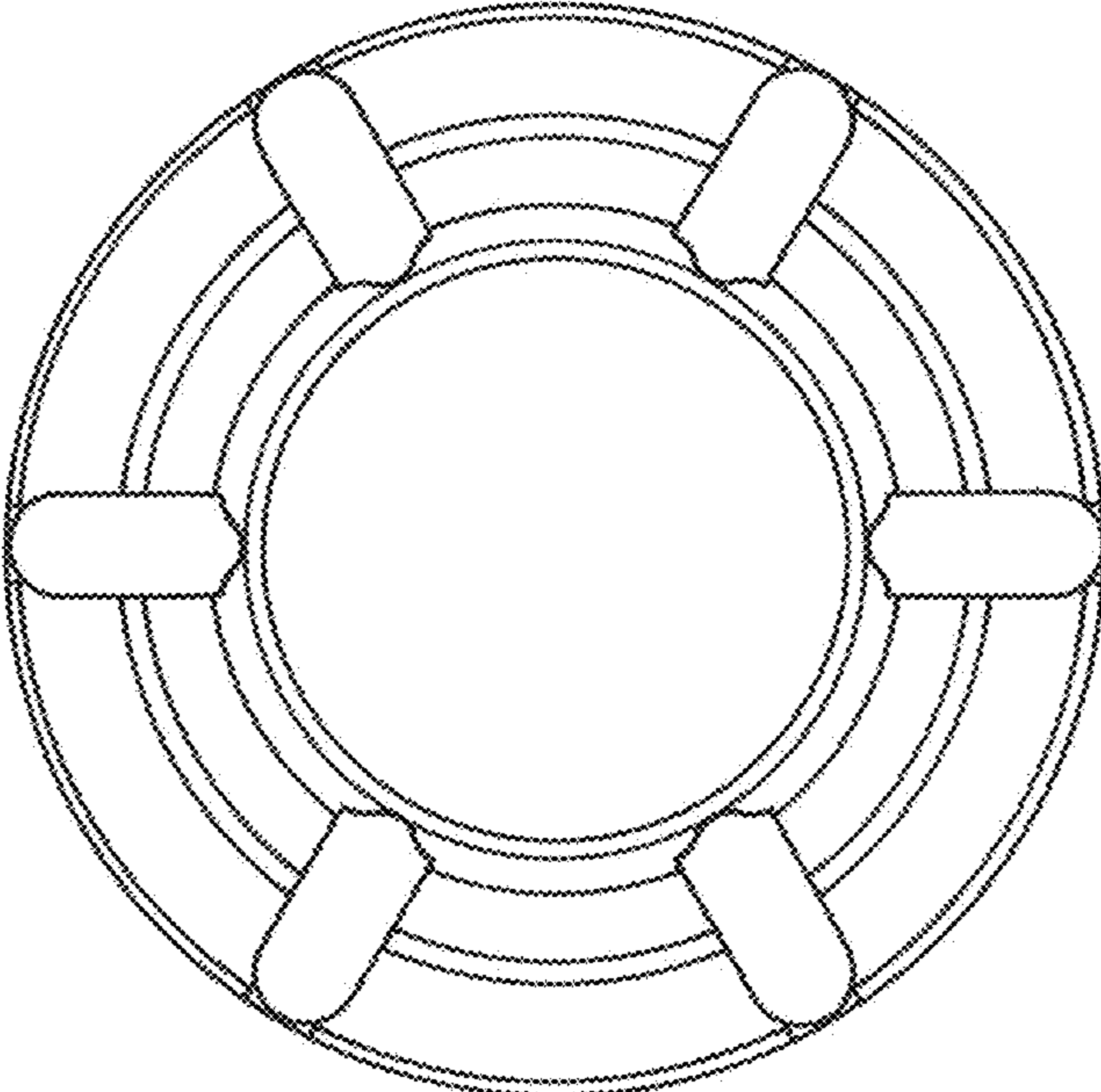


Figure 5

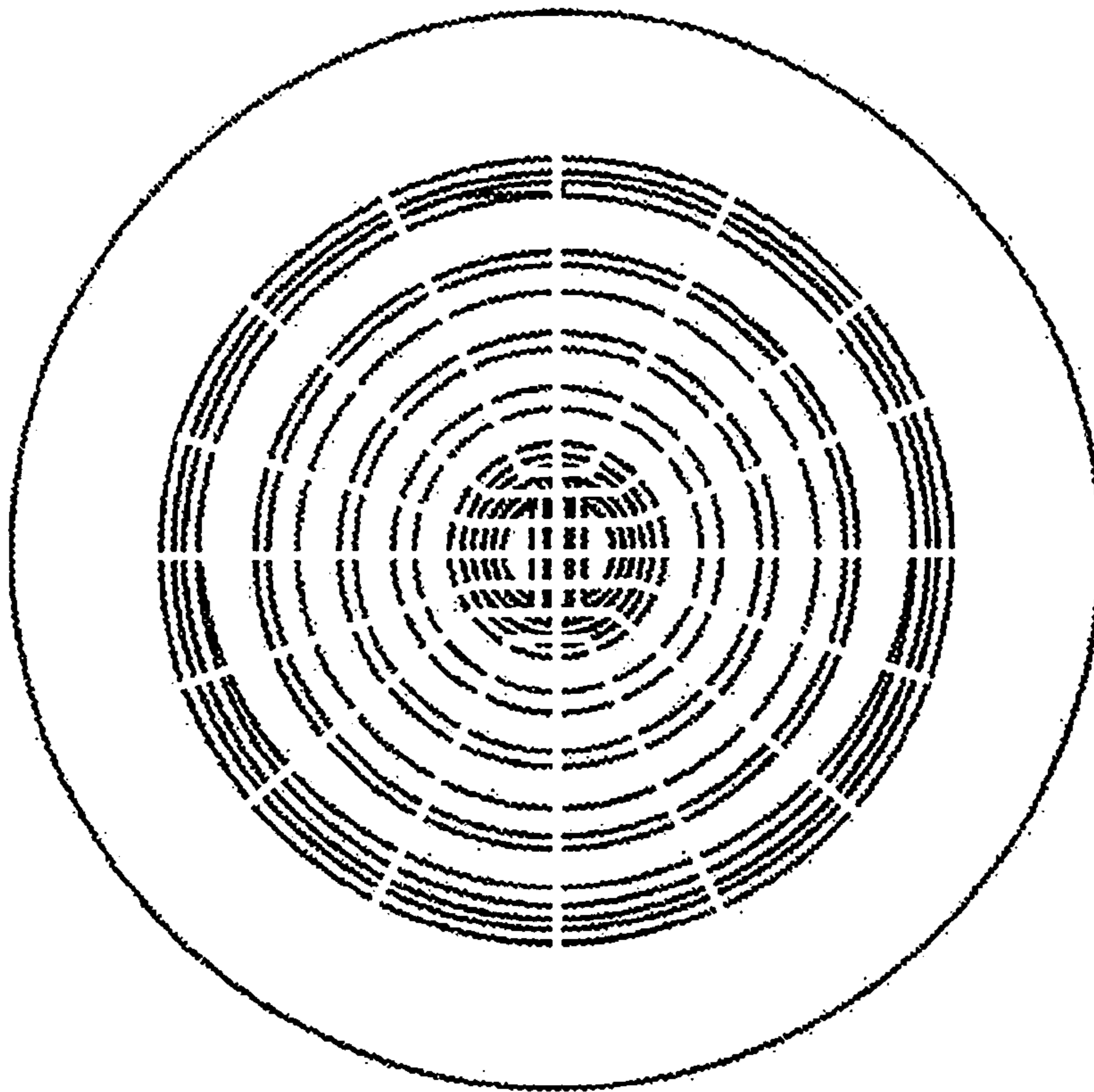


Figure 6

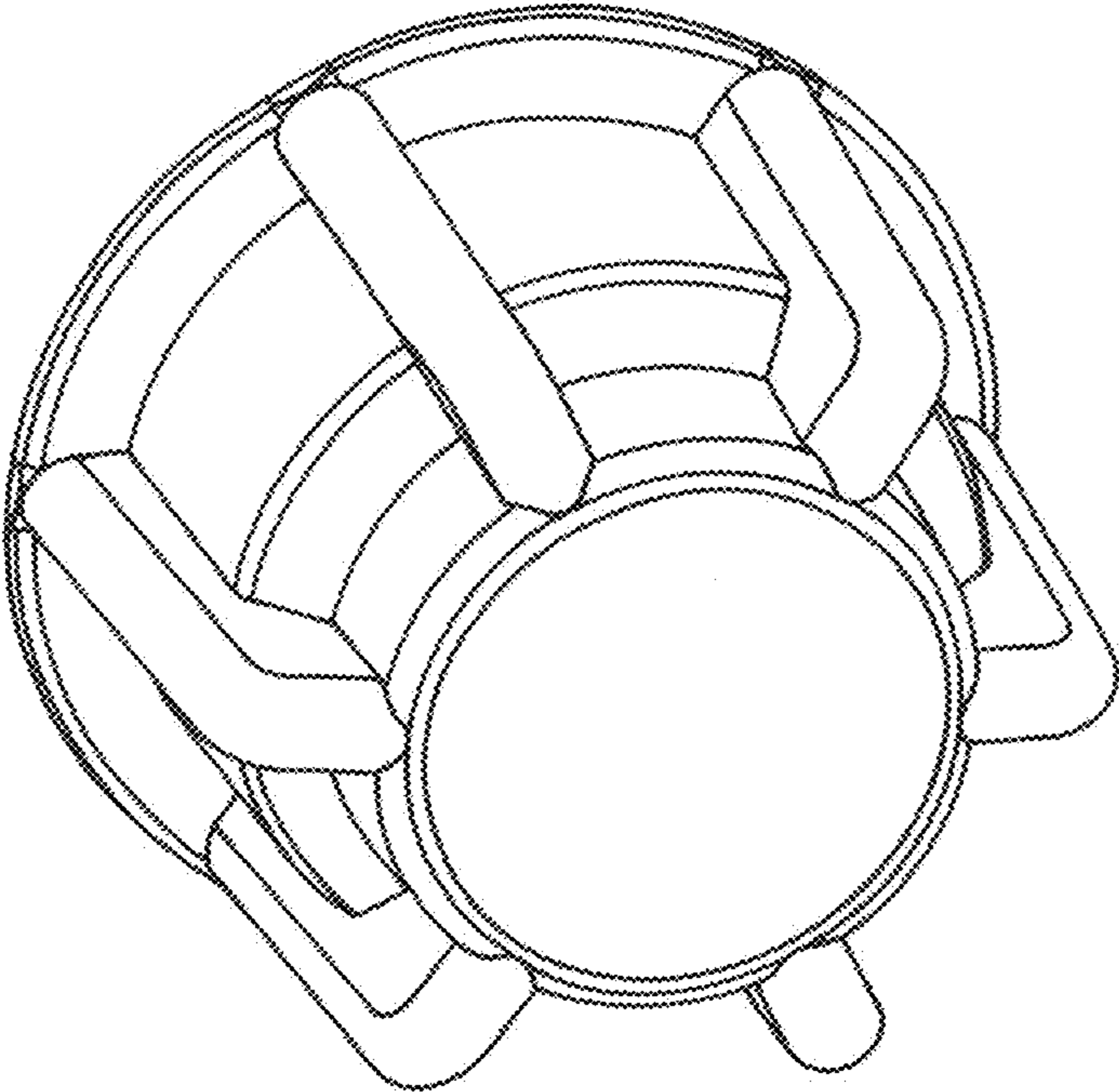


Figure 7