



US00D739238S

(12) **United States Design Patent**  
**Kim**

(10) **Patent No.:** **US D739,238 S**

(45) **Date of Patent:** **\*\* Sep. 22, 2015**

(54) **LID OF THE CUP**

(71) Applicant: **K&Lab Co., Ltd.**, Anyang-si,  
Gyeonggi-do (KR)

(72) Inventor: **Sung-II Kim**, Yongin-si (KR)

(73) Assignee: **K&Lab Co., Ltd.**, Anyang-si,  
Gyeonggi-do (KR)

(\*\*) Term: **14 Years**

(21) Appl. No.: **29/500,442**

(22) Filed: **Aug. 25, 2014**

(51) **LOC (10) Cl.** ..... **09-03**

(52) **U.S. Cl.**  
USPC ..... **D9/451; D9/447**

(58) **Field of Classification Search**  
USPC ..... D7/510-511, 514-520, 604, 613, 619.2,  
D7/623, 628, 527, 392, 392.1; D9/600,  
D9/629, 434-435, 439, 441; 206/457, 527,  
206/540; 220/890

CPC ..... B65D 51/245; B65D 5/4258; B65D  
2203/00; B65D 2203/02; B65D 81/60; B65D  
81/365; B65D 81/366; B65D 81/368

See application file for complete search history.

(56) **References Cited**

**U.S. PATENT DOCUMENTS**

4,982,880 A \* 1/1991 Angeloz et al. .... 222/490  
D379,928 S \* 6/1997 Freek et al. .... D9/447

D417,396 S \* 12/1999 Gobe ..... D9/451  
D420,590 S \* 2/2000 Gobe ..... D9/451  
D438,115 S \* 2/2001 Caldwell ..... D9/451  
D468,632 S \* 1/2003 Kaneko ..... D9/629  
D543,777 S \* 6/2007 Seum et al. .... D7/392.1  
D547,605 S \* 7/2007 Edelstein et al. .... D7/392.1  
D555,477 S \* 11/2007 Mayers ..... D9/451  
7,591,393 B2 \* 9/2009 Crudgington, Jr. .... 215/388  
D614,029 S \* 4/2010 Lake, Jr. .... D9/451  
D690,988 S \* 10/2013 Audette ..... D7/392.1  
D697,422 S \* 1/2014 Changpan ..... D9/629

\* cited by examiner

*Primary Examiner* — Sandra Morris

(74) *Attorney, Agent, or Firm* — Novick, Kim & Lee, PLLC;  
Jae Youn Kim

(57) **CLAIM**

I claim, the ornamental design for a lid of the cup, as shown  
and described.

**DESCRIPTION**

FIG. 1 is a perspective view of a lid of the cup showing my  
new design;

FIG. 2 is a front elevational view thereof;

FIG. 3 is a rear elevational view thereof;

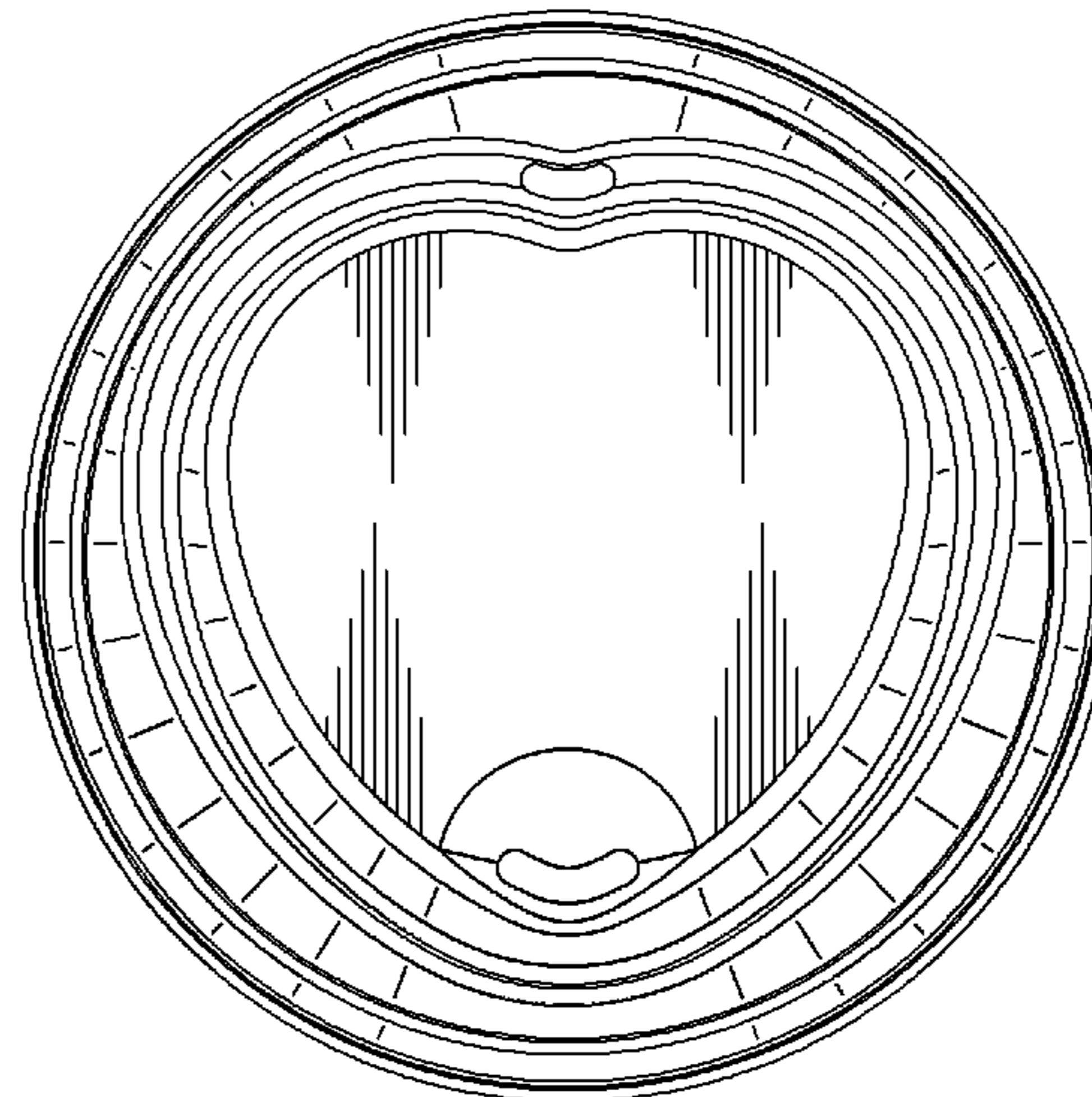
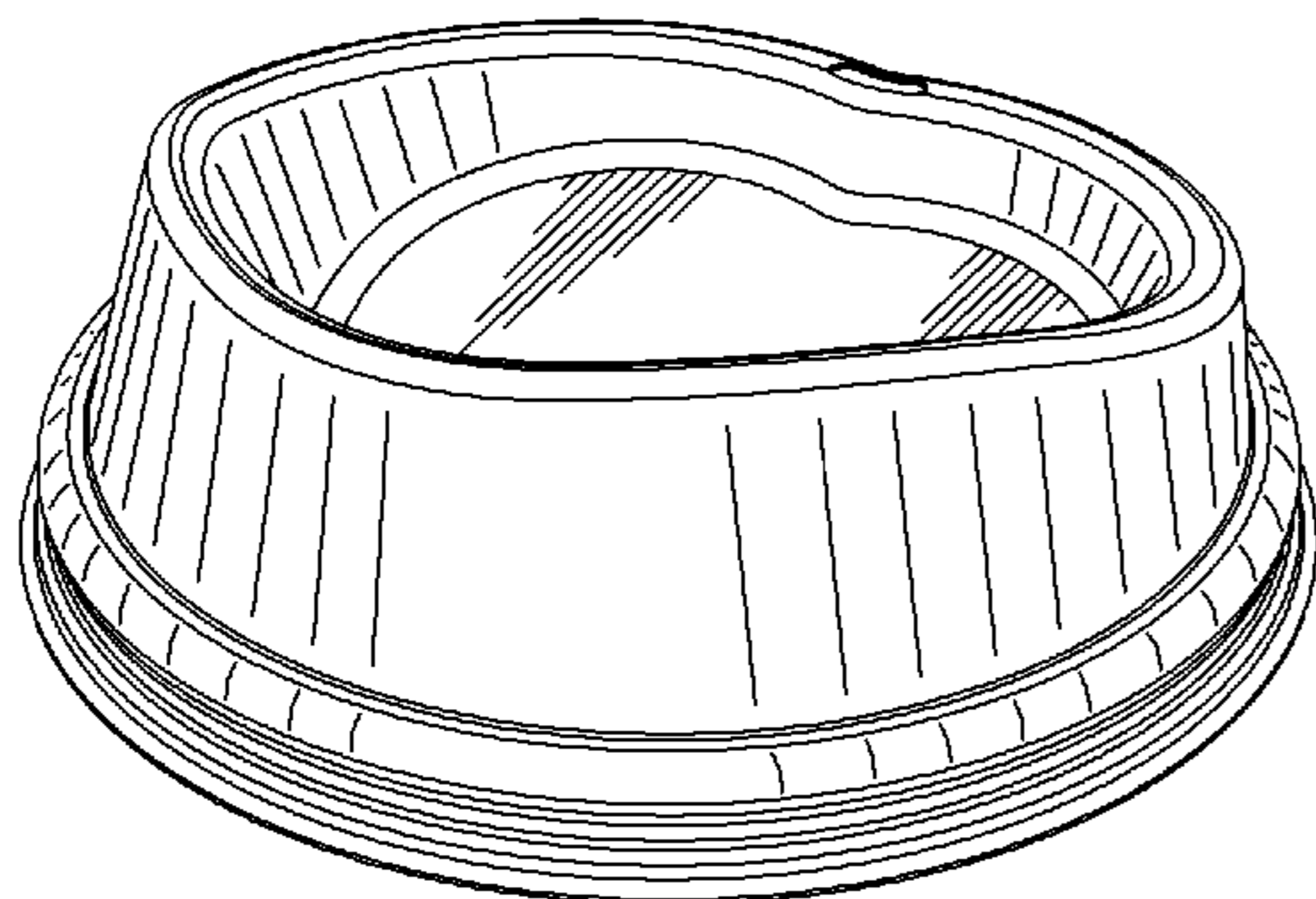
FIG. 4 is a right side elevational view thereof;

FIG. 5 is a left side elevational view thereof;

FIG. 6 is a top plan view thereof; and,

FIG. 7 is a bottom plan view thereof.

**1 Claim, 4 Drawing Sheets**



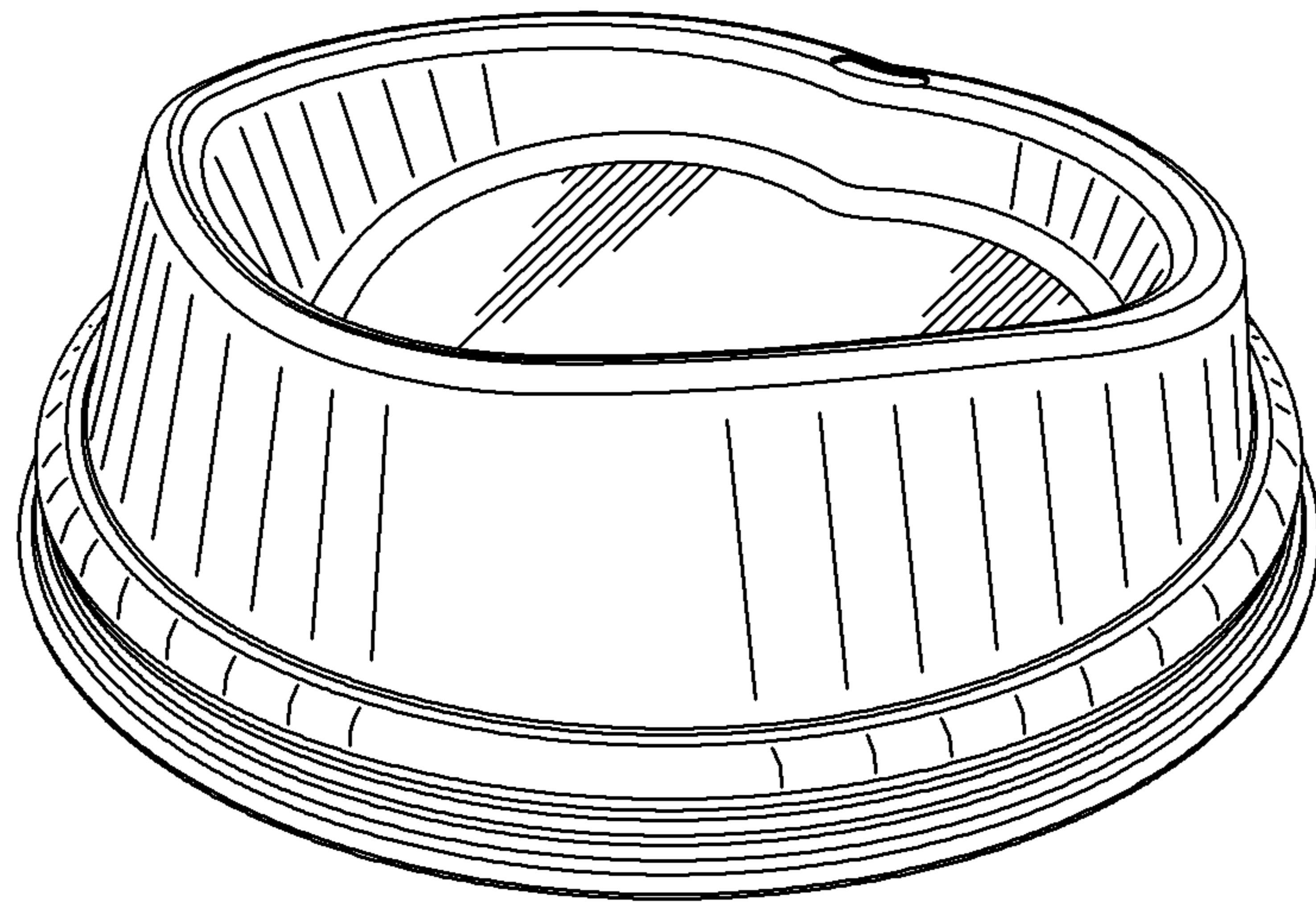


Fig.1

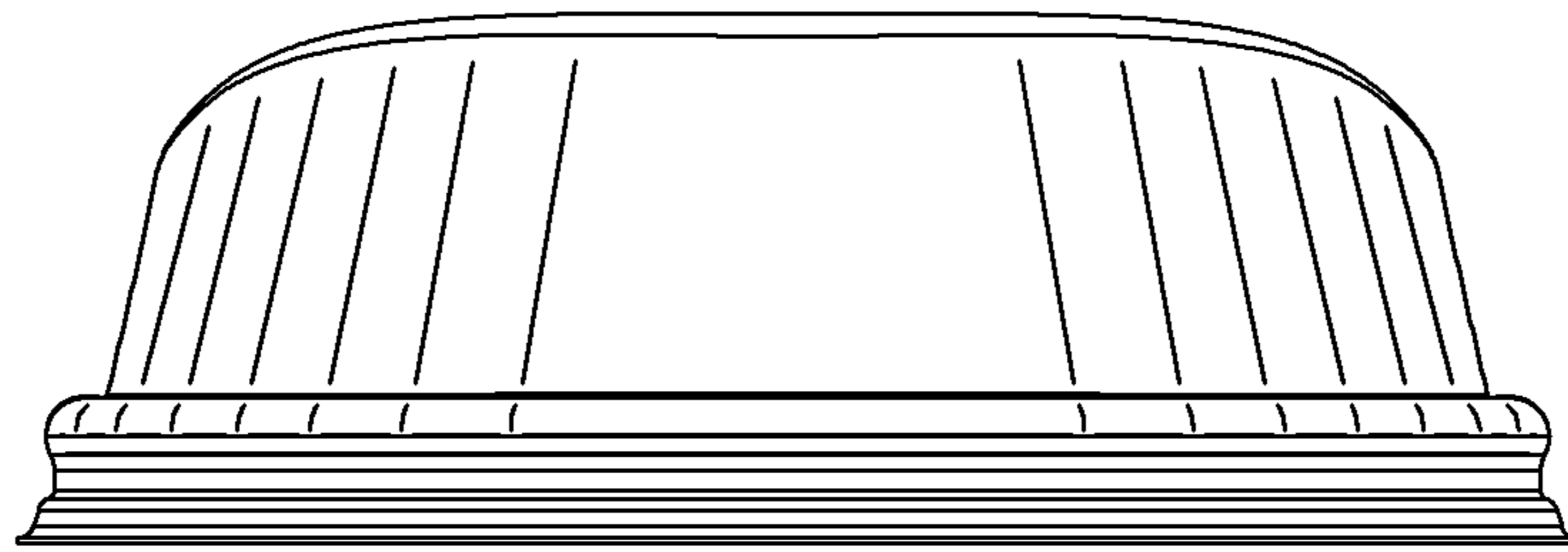


Fig.2

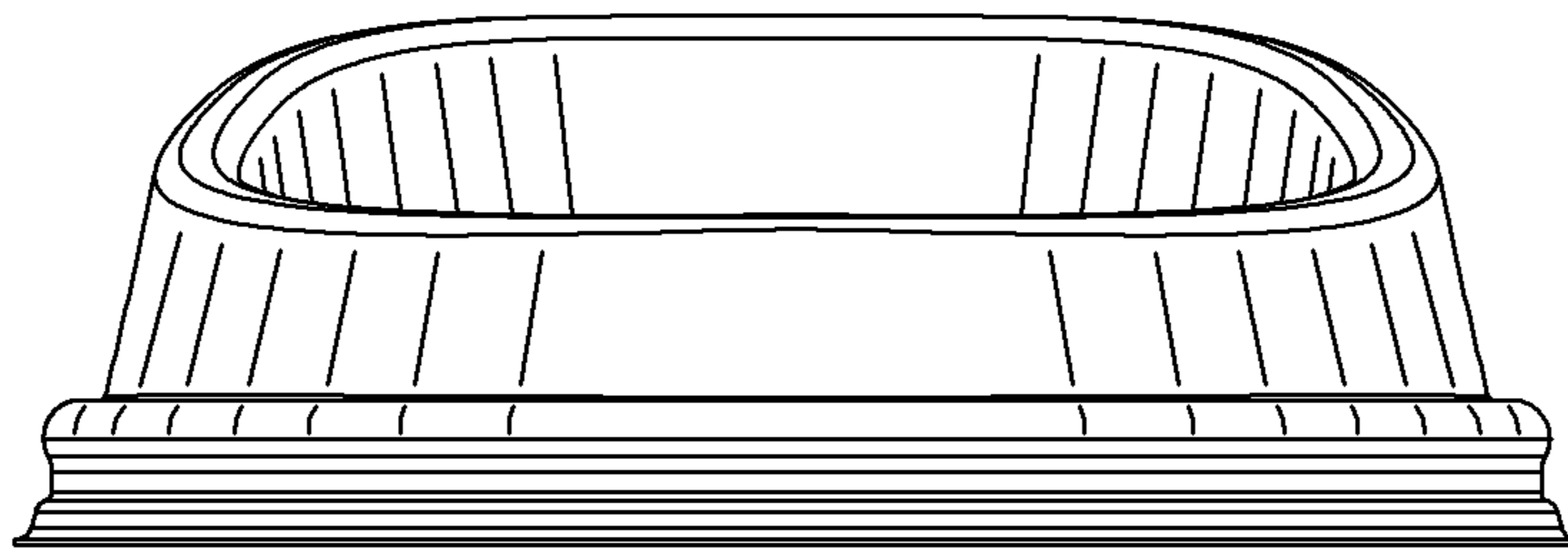


Fig.3

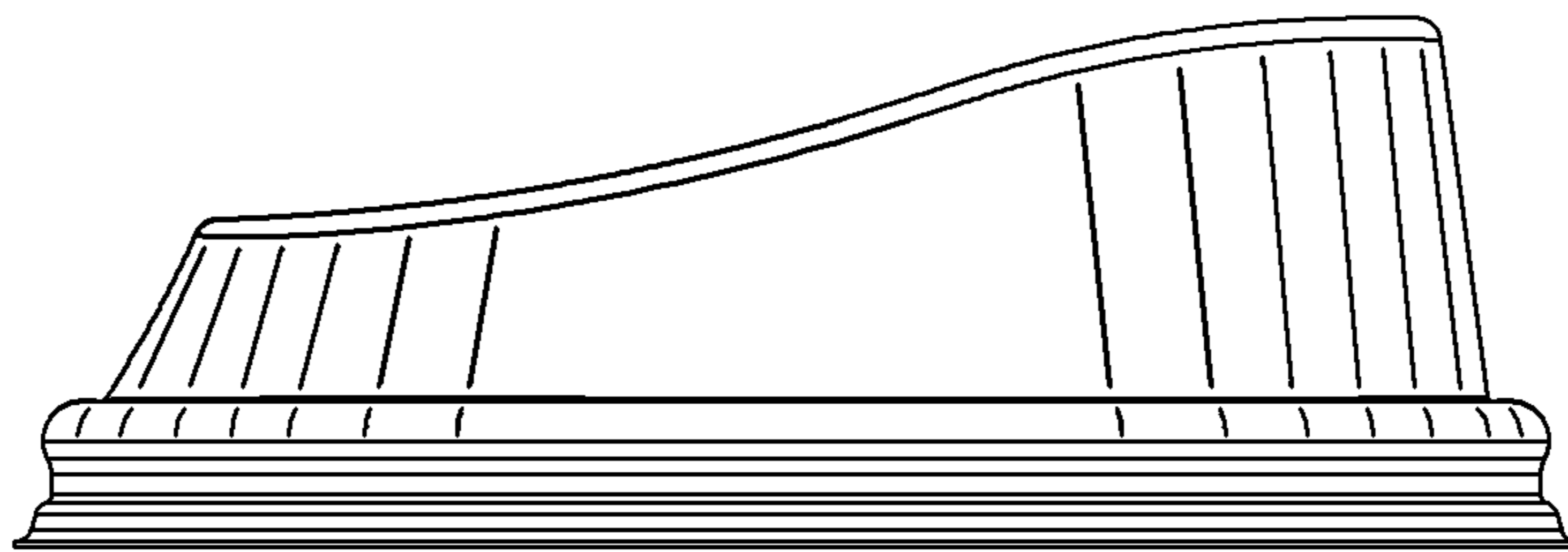


Fig.4

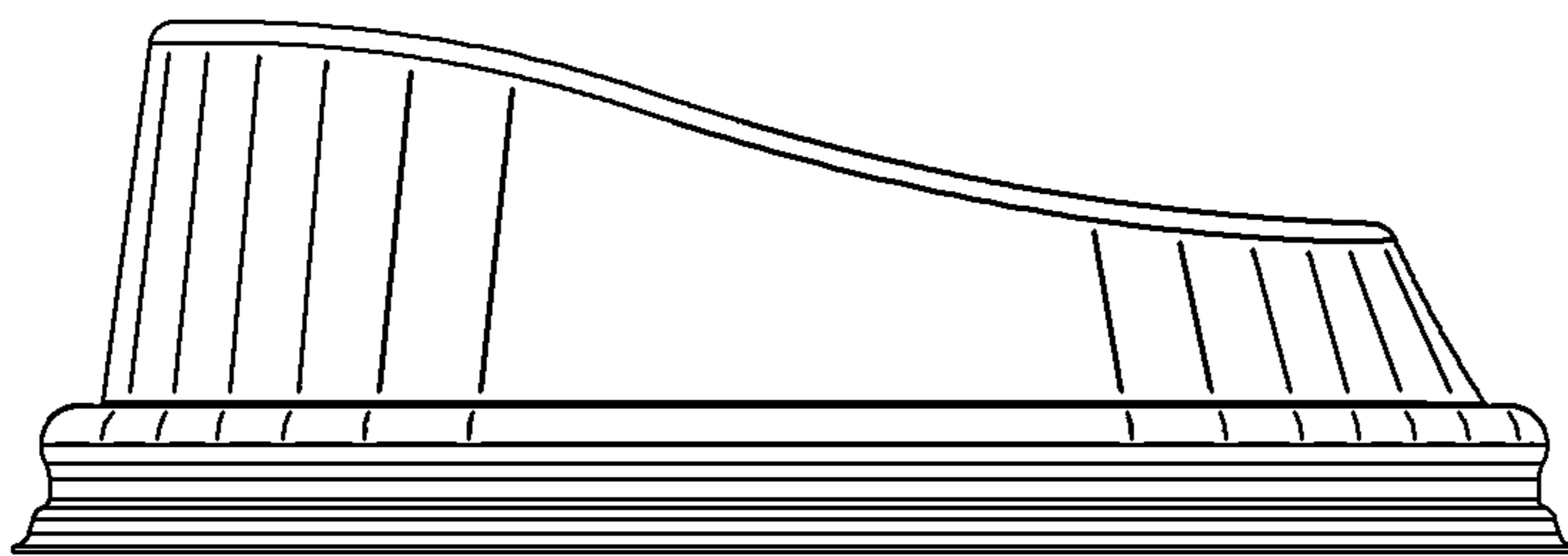


Fig.5

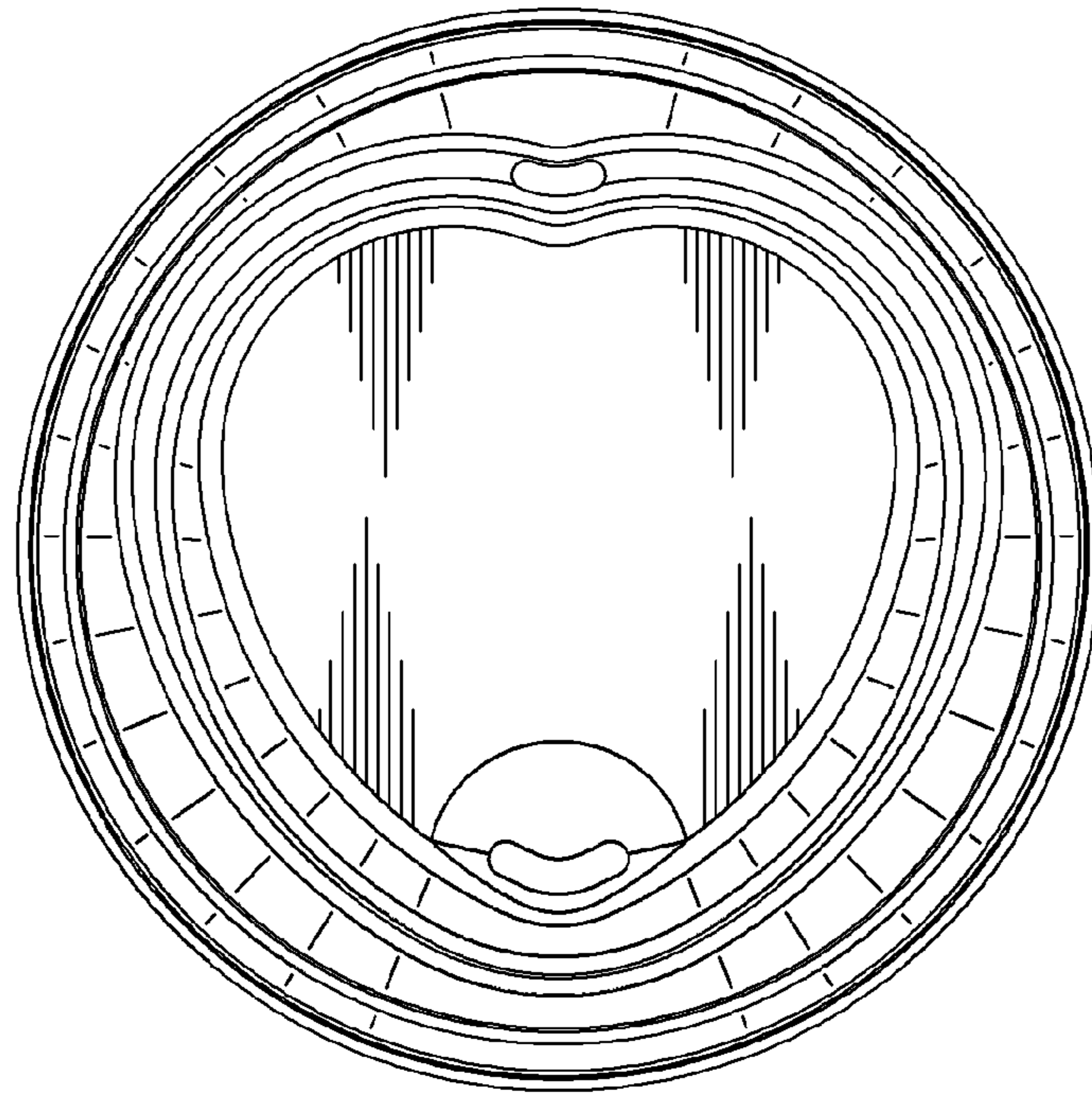


Fig.6

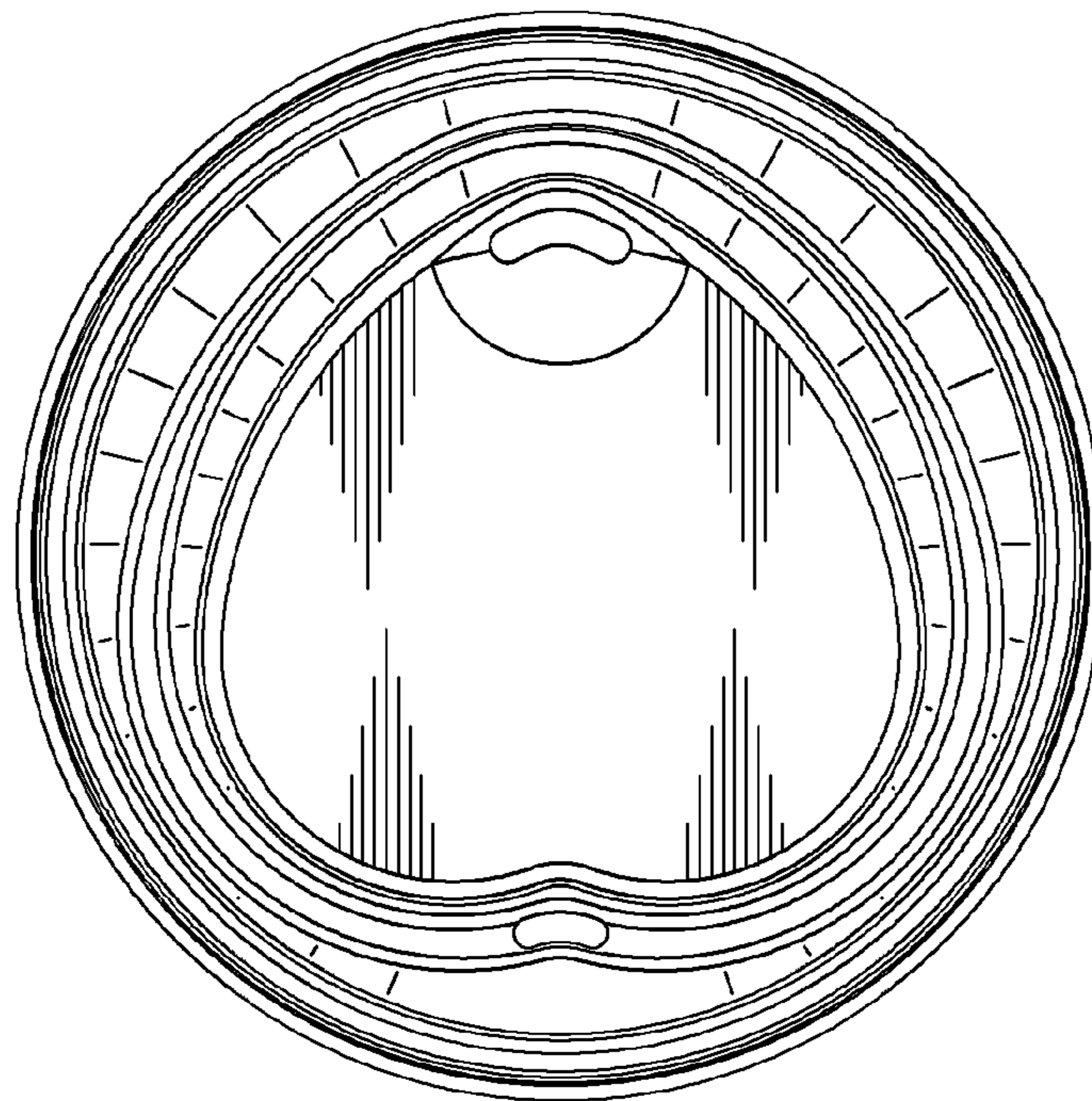


Fig.7