



US00D739236S

(12) **United States Design Patent**  
**Monbarren et al.**

(10) **Patent No.:** **US D739,236 S**

(45) **Date of Patent:** **\*\* Sep. 22, 2015**

(54) **RE-USABLE BOTTLE CAP**

(71) Applicants: **Marty Monbarren**, Zephyrhills, FL  
(US); **Kenten Monbarren**, San Antonio,  
FL (US)

(72) Inventors: **Marty Monbarren**, Zephyrhills, FL  
(US); **Kenten Monbarren**, San Antonio,  
FL (US)

(\*\*) Term: **14 Years**

(21) Appl. No.: **29/475,225**

(22) Filed: **Dec. 2, 2013**

**Related U.S. Application Data**

(63) Continuation-in-part of application No. 14/093,554,  
filed on Dec. 2, 2013.

(51) **LOC (10) CL.** ..... **09-07**

(52) **U.S. CL.**  
USPC ..... **D9/449**

(58) **Field of Classification Search**  
USPC ..... D3/318; D7/387, 396.1, 511;  
D9/434-436, 440, 443, 444, 447,  
D9/452-454, 499; 215/235; 222/556

CPC ..... B65D 2251/1041  
See application file for complete search history.

(56) **References Cited**

**U.S. PATENT DOCUMENTS**

D298,098 S \* 10/1988 Craig, III ..... D7/511  
D306,265 S \* 2/1990 Leebeek ..... D9/435  
5,395,015 A \* 3/1995 Bolen et al. .... 222/546  
D359,654 S \* 6/1995 Westgerdes ..... D7/511  
6,321,923 B1 \* 11/2001 Wood ..... 215/235

D496,861 S \* 10/2004 Lovell ..... D9/435  
D646,893 S \* 10/2011 Whalen ..... D3/318  
D671,406 S \* 11/2012 Sawicki et al. .... D9/434  
D678,769 S \* 3/2013 Kawamura ..... D9/452  
D723,873 S \* 3/2015 Hojo ..... D7/511  
2006/0151416 A1 \* 7/2006 Hennemann et al. .... 215/235  
2014/0312078 A1 \* 10/2014 Fitzsimmons et al. .... 222/556

**OTHER PUBLICATIONS**

A T Manufacturing Co. Product Gallery. 2014 [online], [site visited  
Mar. 18, 2015]. Available from Internet, <URL:http://atmfg.co.in/  
gallery.html>.\*

\* cited by examiner

*Primary Examiner* — Robert M Spear

*Assistant Examiner* — Darcey E Heflin

(74) *Attorney, Agent, or Firm* — Edward P. Dutkiewicz

(57) **CLAIM**

The ornamental design for a re-useable bottle cap, as shown  
and described.

**DESCRIPTION**

FIG. 1 is a front elevational view of the re-usable bottle cap  
showing our new design;

FIG. 2 is a rear elevational view thereof, showing the living  
hinge in a closed position;

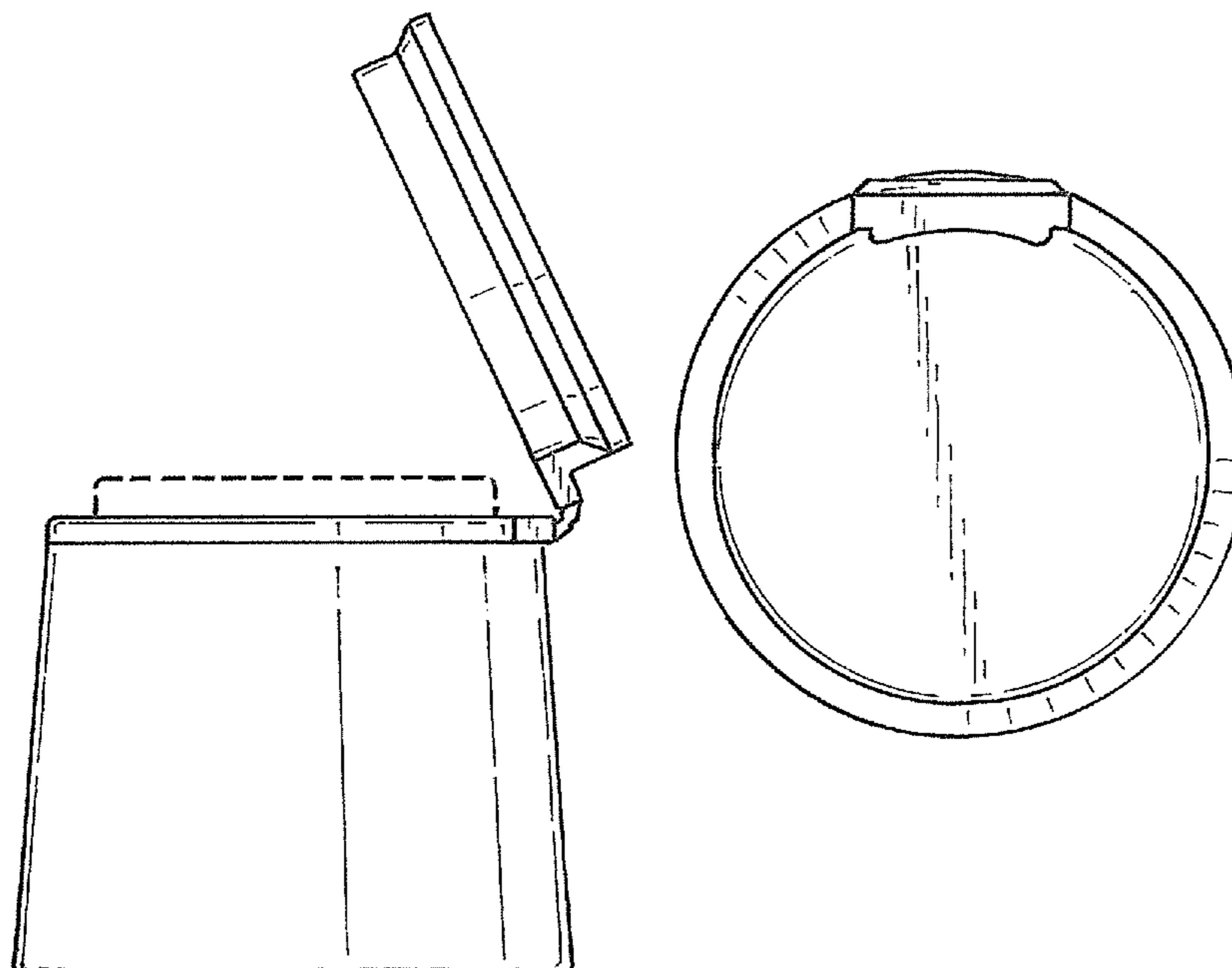
FIG. 3 is a right side elevational view thereof. The living  
hinge is shown in the closed position;

FIG. 4 is a left side elevational view thereof, with the living  
hinge and the lid shown in the opened position;

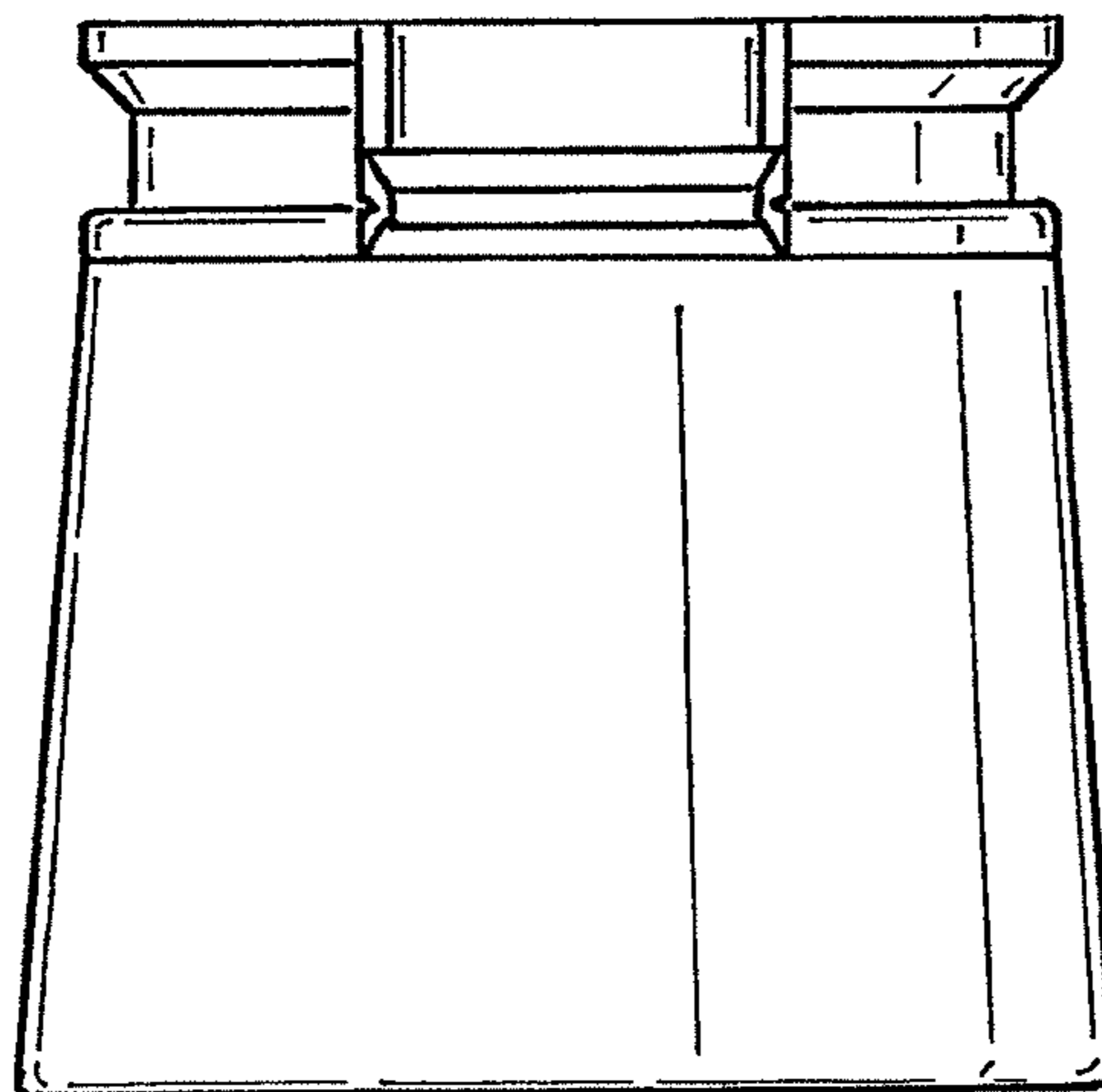
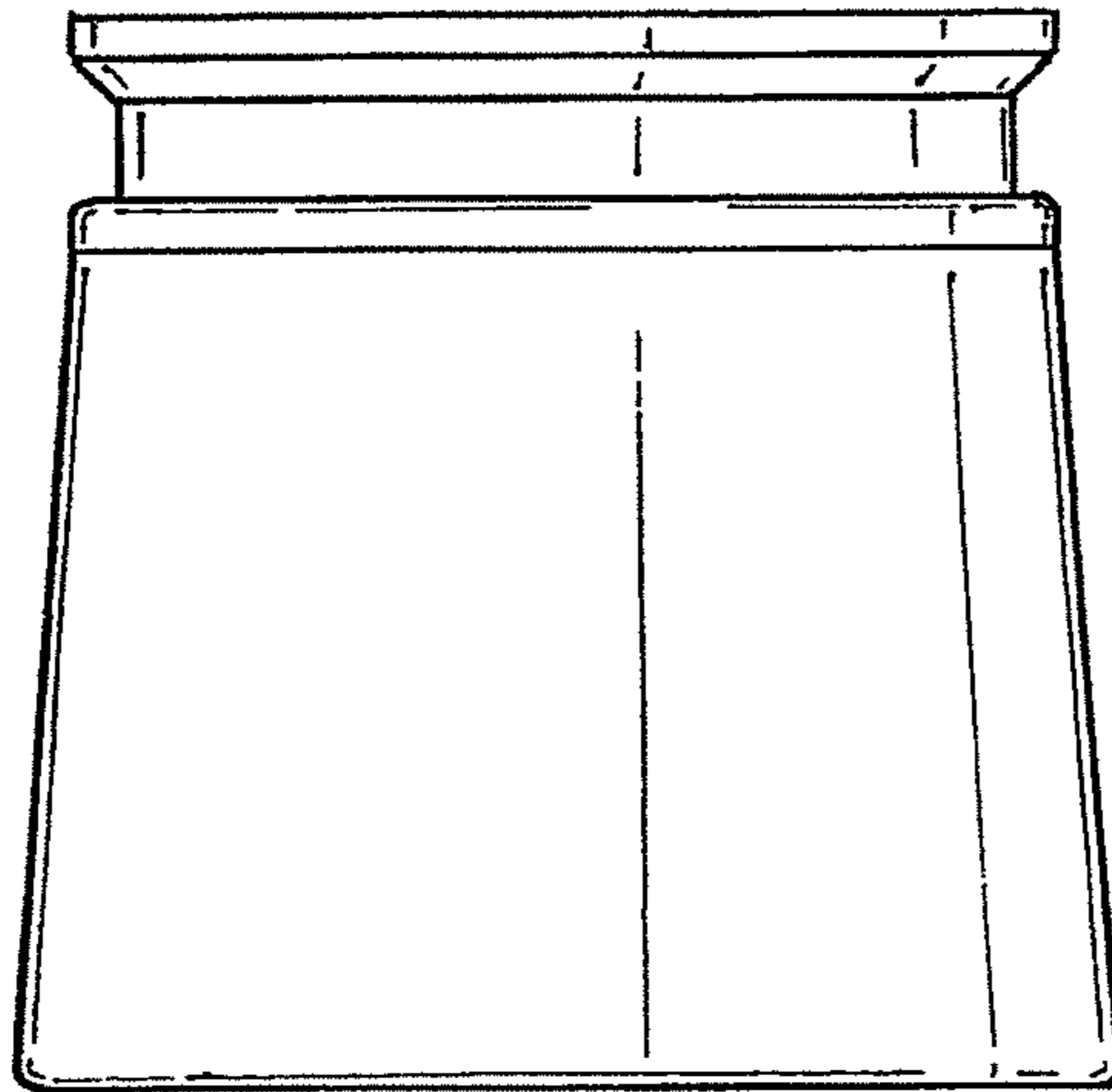
FIG. 5 is a top plan view of FIG. 1; and,

FIG. 6 is a bottom plan view thereof.

**1 Claim, 3 Drawing Sheets**



*FIG. 1*



*FIG. 2*

FIG. 3

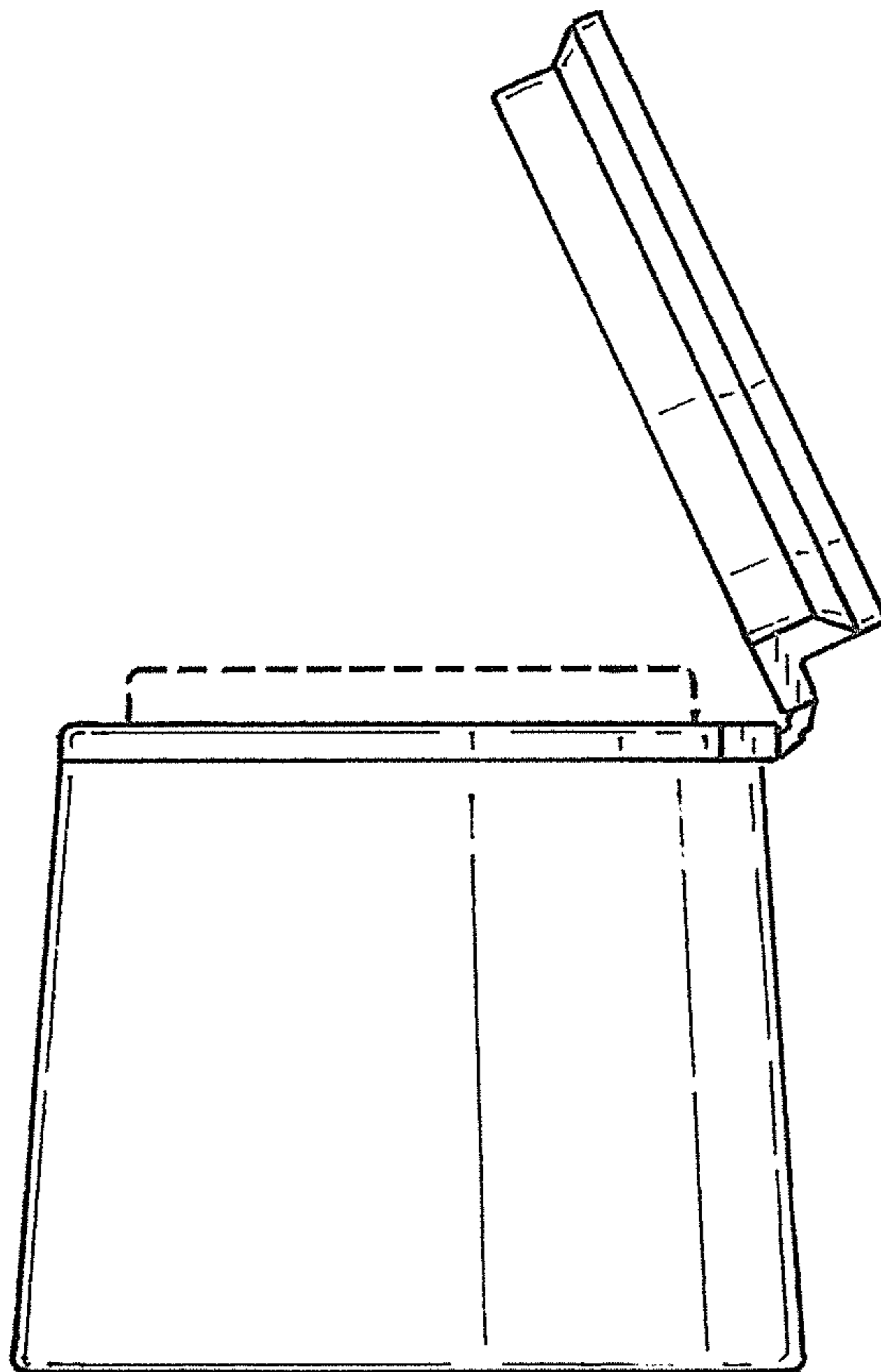
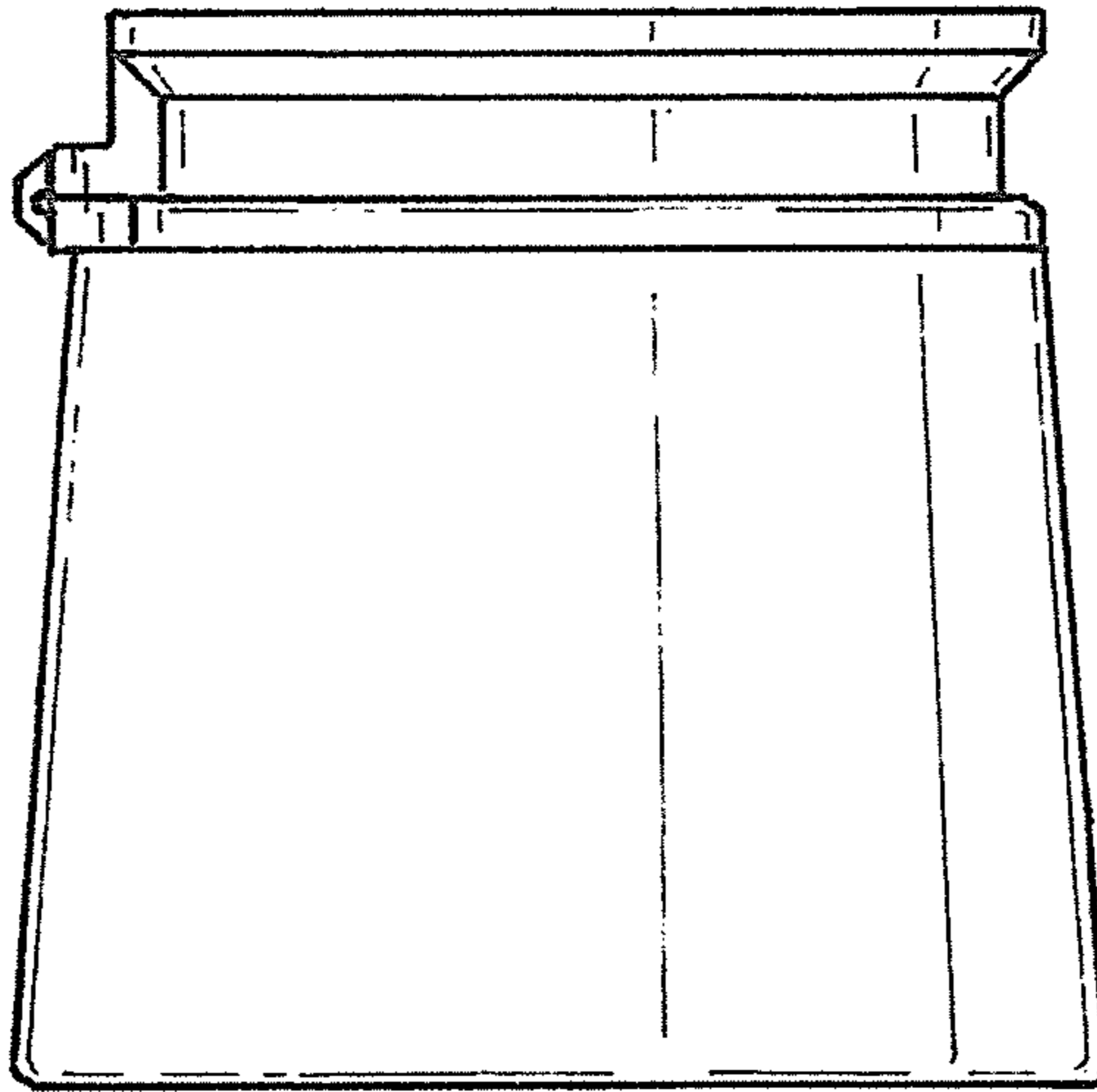


FIG. 4

FIG. 5

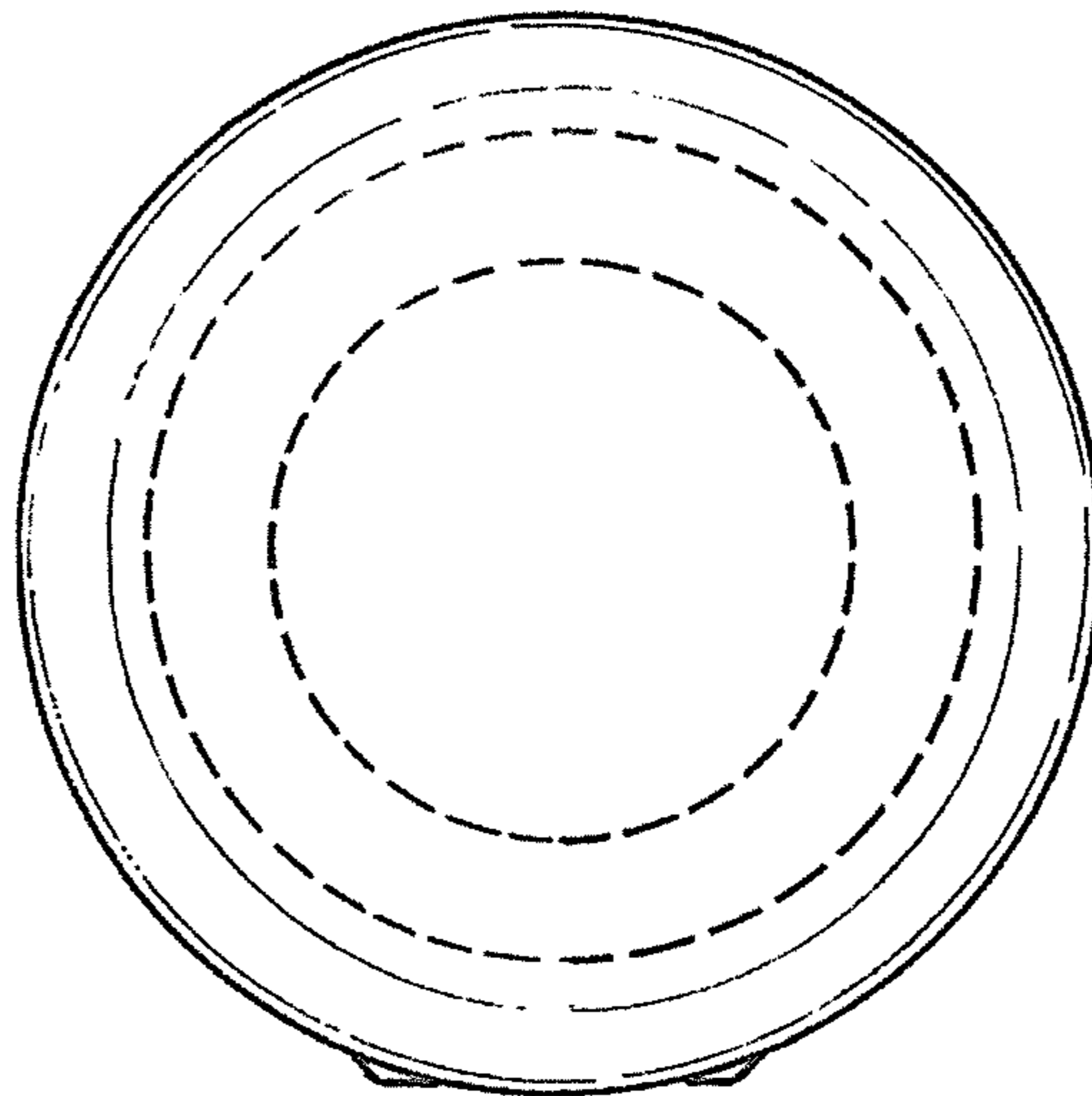
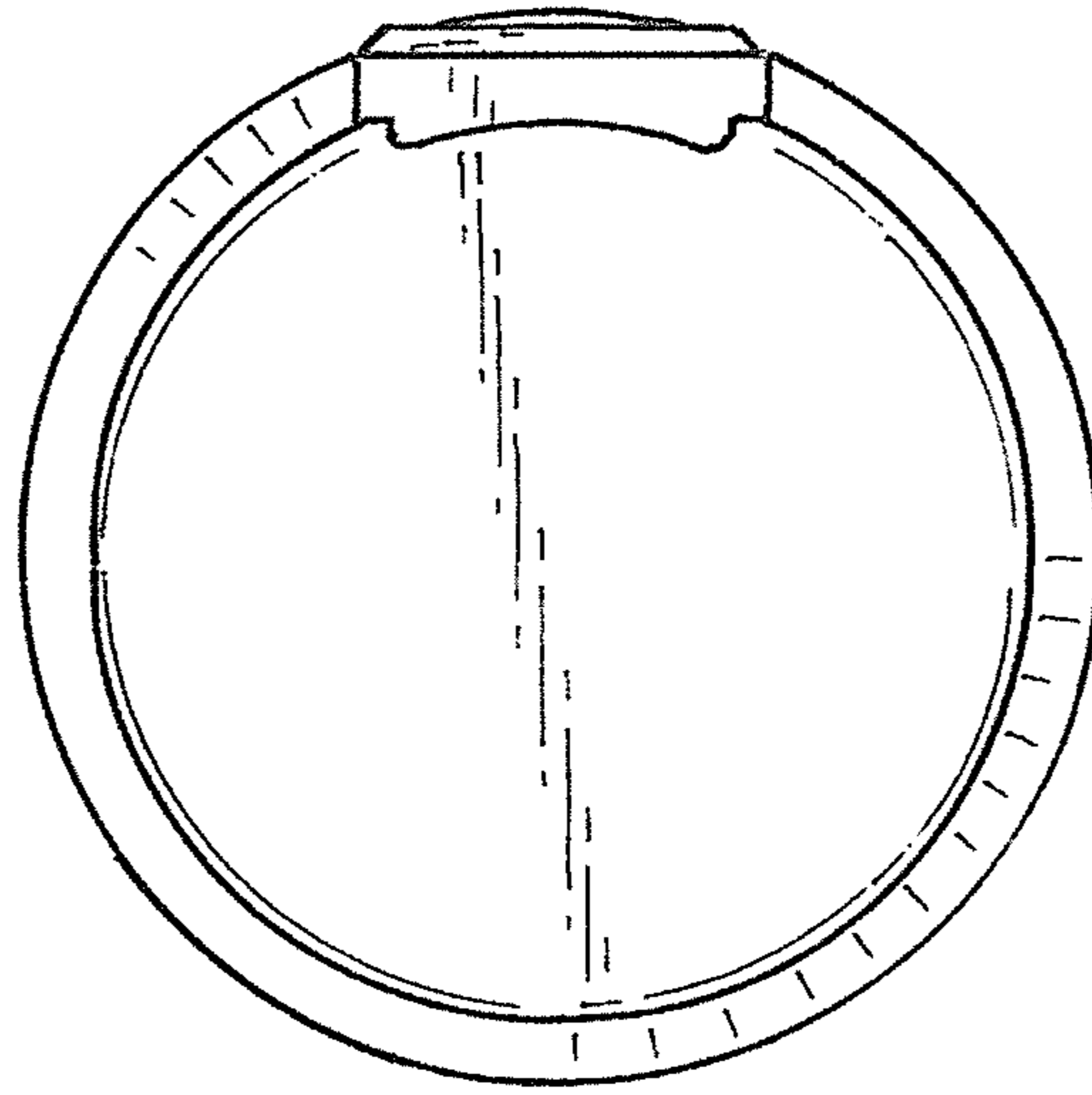


FIG. 6