



US00D739234S

(12) **United States Design Patent**  
**Antal, Sr. et al.**

(10) **Patent No.:** **US D739,234 S**  
(45) **Date of Patent:** **\*\* Sep. 22, 2015**

- (54) **CONTAINER OVERCAP**
- (71) Applicant: **Sonoco Development, Inc.**, Hartsville, SC (US)
- (72) Inventors: **Keith E. Antal, Sr.**, Valatie, NY (US);  
**Chad E. Lagace**, Cohoes, NY (US);  
**Terry Smith**, Melbourne (AU)
- (73) Assignee: **Sonoco Development, Inc.**, Hartsville, SC (US)

D251,828 S	5/1979	Smith	
4,177,930 A	12/1979	Crisci	
D260,492 S *	9/1981	Scott	..... D9/452
4,493,432 A	1/1985	Smith	
4,602,718 A	7/1986	Dutt	
4,607,759 A	8/1986	Boetzkes	
4,625,890 A	12/1986	Galer	
D292,380 S	10/1987	Smith	
4,787,530 A	11/1988	Edwards	
4,826,039 A	5/1989	Landis	

(Continued)

- (\*\*) Term: **14 Years**
- (21) Appl. No.: **29/496,923**
- (22) Filed: **Jul. 18, 2014**

**FOREIGN PATENT DOCUMENTS**

DE	9109221 U1	9/1991
EM	000131008-0001	* 5/2004

(Continued)

*Primary Examiner* — Susan Bennett Hattan  
*Assistant Examiner* — Leanne Was  
 (74) *Attorney, Agent, or Firm* — Flaster/Greenberg P.C.

**Related U.S. Application Data**

- (62) Division of application No. 29/440,185, filed on Dec. 19, 2012, now Pat. No. Des. 712,740.
- (51) **LOC (10) Cl.** ..... **09-07**
- (52) **U.S. Cl.**  
USPC ..... **D9/445**
- (58) **Field of Classification Search**  
USPC ..... D7/511, 538, 543, 546; D9/434, 435,  
D9/445, 449, 450, 452, 454; D12/114,  
D12/197, 218, 220; 206/503, 505, 508, 509;  
215/228, 235, 316, 324, 328; 220/200,  
220/212.5, 256.1, 380, 780-782  
See application file for complete search history.

(57) **CLAIM**  
 The design of a container overcap, as shown and described.

**DESCRIPTION**

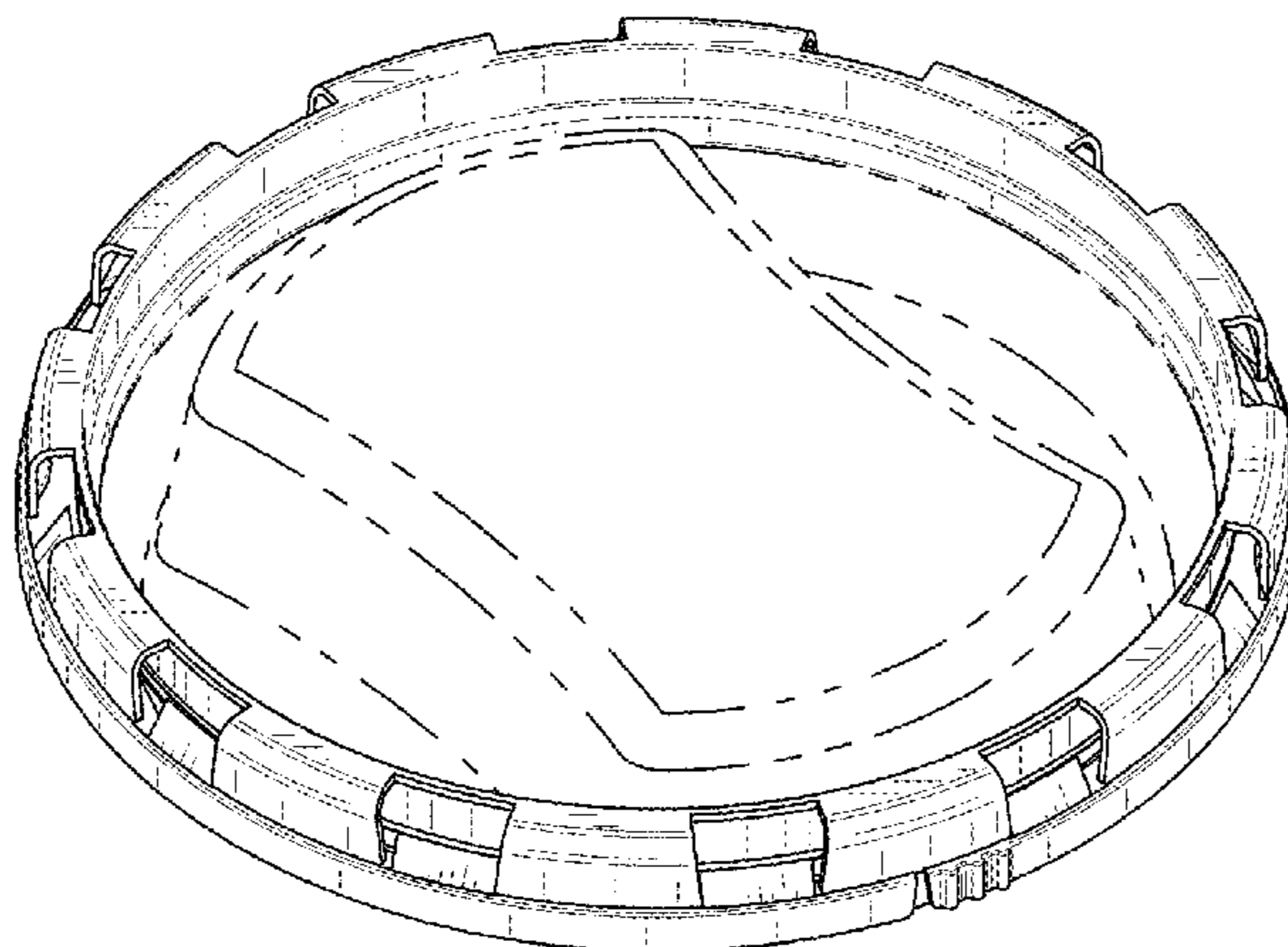
FIG. 1 is a top perspective view of a container overcap showing a new design, with portions of the article shown in broken lines;  
 FIG. 2 is a top plan view of the container overcap of FIG. 1;  
 FIG. 3 is a bottom plan view of the container overcap of FIG. 1;  
 FIG. 4 is a front elevation of the container overcap of FIG. 1;  
 FIG. 5 is a rear elevation of the container overcap of FIG. 1;  
 FIG. 6 is a left side elevation of the container overcap of FIG. 1; and,  
 FIG. 7 is a right side elevation of the container overcap of FIG. 1.  
 The broken lines shown in the various figures illustrate portions of the article that form no part of the claimed design.

(56) **References Cited**

**U.S. PATENT DOCUMENTS**

3,532,244 A	10/1970	Yates, Jr.	
D221,420 S *	8/1971	Davis	..... D9/453
3,753,511 A	8/1973	Ruch	
3,770,156 A	11/1973	Yates, Jr.	
4,111,329 A	9/1978	Lampman	

**1 Claim, 4 Drawing Sheets**



(56)

References Cited

U.S. PATENT DOCUMENTS

4,934,554 A 6/1990 Edwards  
 5,115,934 A 5/1992 Nelson  
 D339,525 S \* 9/1993 Morris, Sr. .... D9/435  
 5,271,517 A 12/1993 Bowers  
 5,294,015 A 3/1994 Landis  
 5,377,861 A 1/1995 Landis  
 5,538,154 A 7/1996 Von Holdt  
 5,617,968 A 4/1997 Luburic  
 D394,184 S 5/1998 Demore  
 5,901,870 A 5/1999 Wagner  
 6,193,921 B1 2/2001 Nelson  
 6,478,183 B1 11/2002 Bacon et al.  
 6,543,635 B2 4/2003 Ciccone  
 D477,968 S 8/2003 Bin  
 D481,312 S 10/2003 Martin et al.  
 6,899,245 B1 5/2005 Nelson  
 D506,359 S 6/2005 Zettle et al.  
 D508,188 S 8/2005 Zettle et al.  
 6,959,829 B2 11/2005 Crider et al.  
 D519,374 S 4/2006 Hornke  
 D521,382 S \* 5/2006 Gross et al. .... D9/452  
 D527,261 S \* 8/2006 Hornke .... D9/454  
 D533,778 S 12/2006 Hollis et al.  
 7,207,457 B2 4/2007 Schwarz  
 D544,301 S 6/2007 Tien  
 D545,618 S \* 7/2007 Zettle et al. .... D7/391  
 D549,522 S 8/2007 Tien  
 D550,035 S 9/2007 Tien  
 D556,573 S 12/2007 Hollis et al.  
 D556,574 S 12/2007 Hollis et al.  
 D612,236 S \* 3/2010 Sturk .... D9/446

7,703,626 B2 4/2010 Witt  
 7,896,185 B2 3/2011 Campbell et al.  
 7,909,204 B2 3/2011 Antal, Sr.  
 7,918,630 B2 4/2011 Mengeu et al.  
 7,963,419 B2 6/2011 Burney et al.  
 D645,741 S 9/2011 Dunwoody  
 D647,799 S 11/2011 Dunwoody  
 D649,403 S 11/2011 Eyal  
 D650,275 S 12/2011 Dunwoody  
 D650,669 S 12/2011 Dunwoody  
 D650,670 S \* 12/2011 Dunwoody .... D9/435  
 D651,081 S \* 12/2011 Dunwoody .... D9/435  
 D651,082 S \* 12/2011 Dunwoody .... D9/435  
 D651,853 S 1/2012 Eyal  
 D652,297 S 1/2012 Dunwoody  
 8,181,819 B2 5/2012 Burney et al.  
 D662,361 S 6/2012 Eyal  
 D684,813 S 6/2013 Eyal  
 D712,740 S \* 9/2014 Antal et al. .... D9/435  
 2004/0045966 A1 3/2004 Von Holdt, Jr.  
 2006/0273091 A1 12/2006 Hornke et al.  
 2009/0090712 A1 4/2009 Vovan  
 2009/0173656 A1 7/2009 Furlong  
 2009/0289074 A1 11/2009 McNamara  
 2013/0233873 A1 \* 9/2013 Baltz et al. .... 220/780  
 2014/0166659 A1 \* 6/2014 Antal et al. .... 220/521

FOREIGN PATENT DOCUMENTS

EP 1160171 A2 12/2001  
 FR 2801873 A1 6/2001  
 GB 201899 A 3/2004  
 WO 2012094801 A1 7/2012

\* cited by examiner

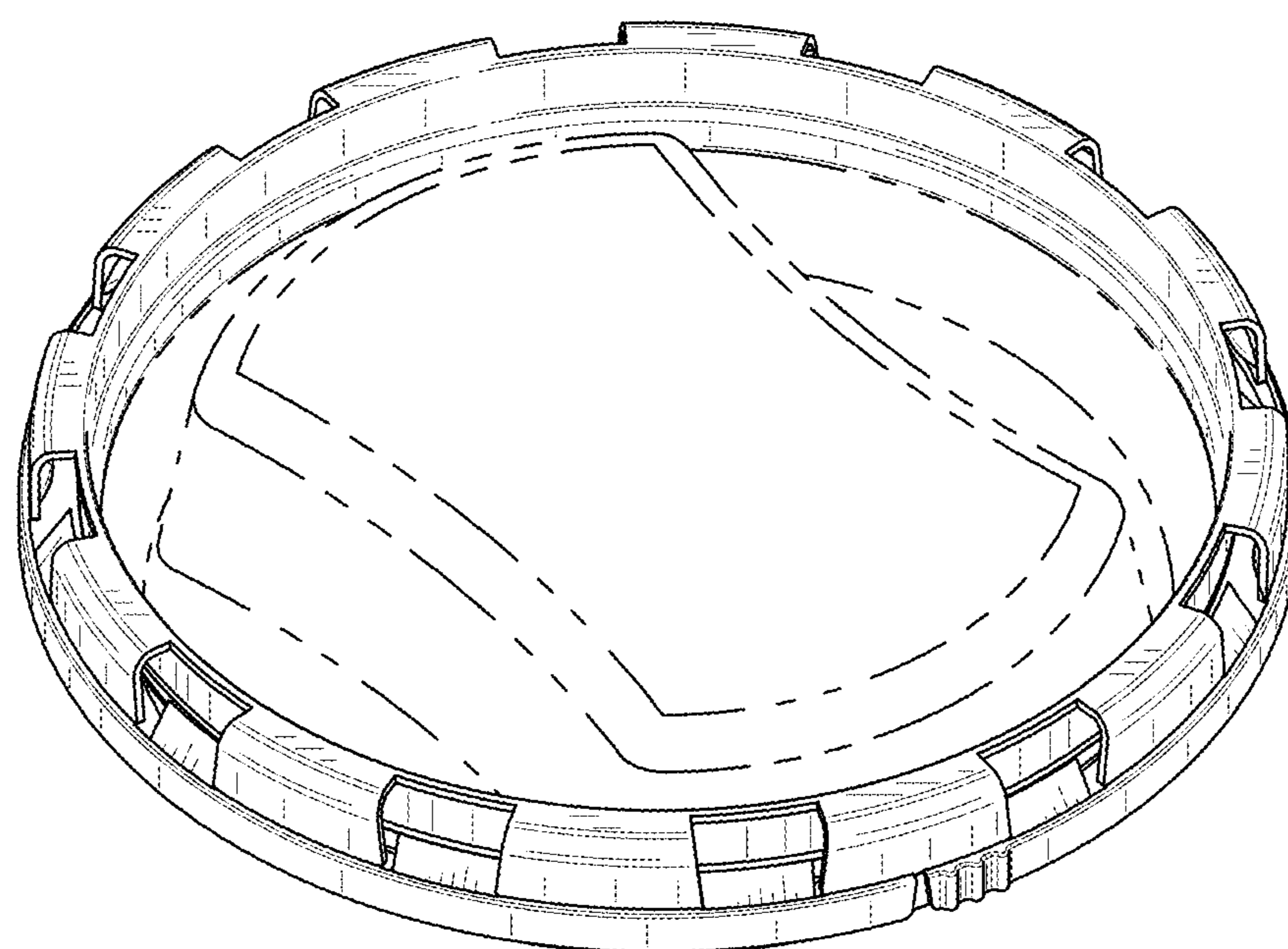


FIG. 1

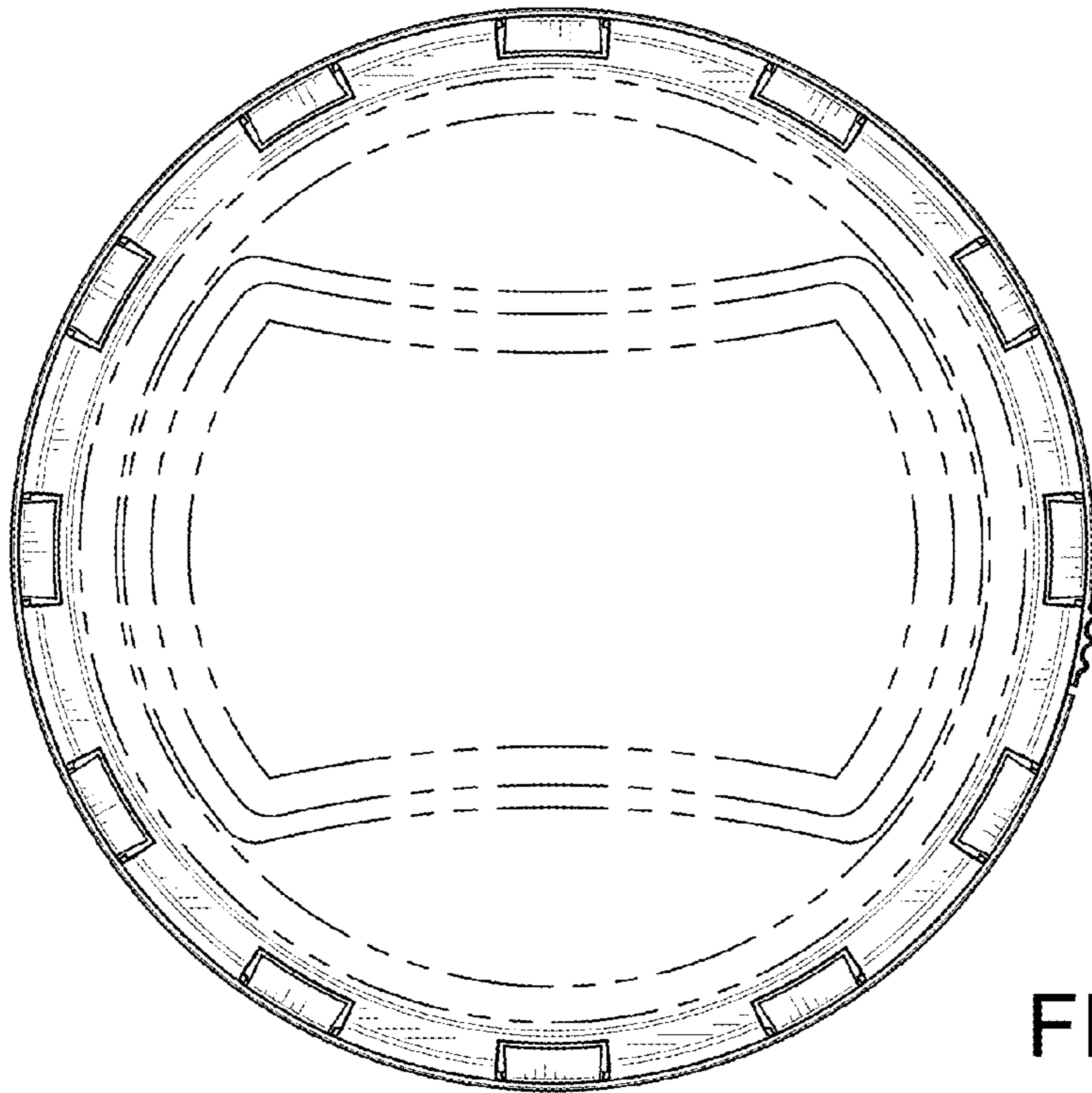


FIG. 2

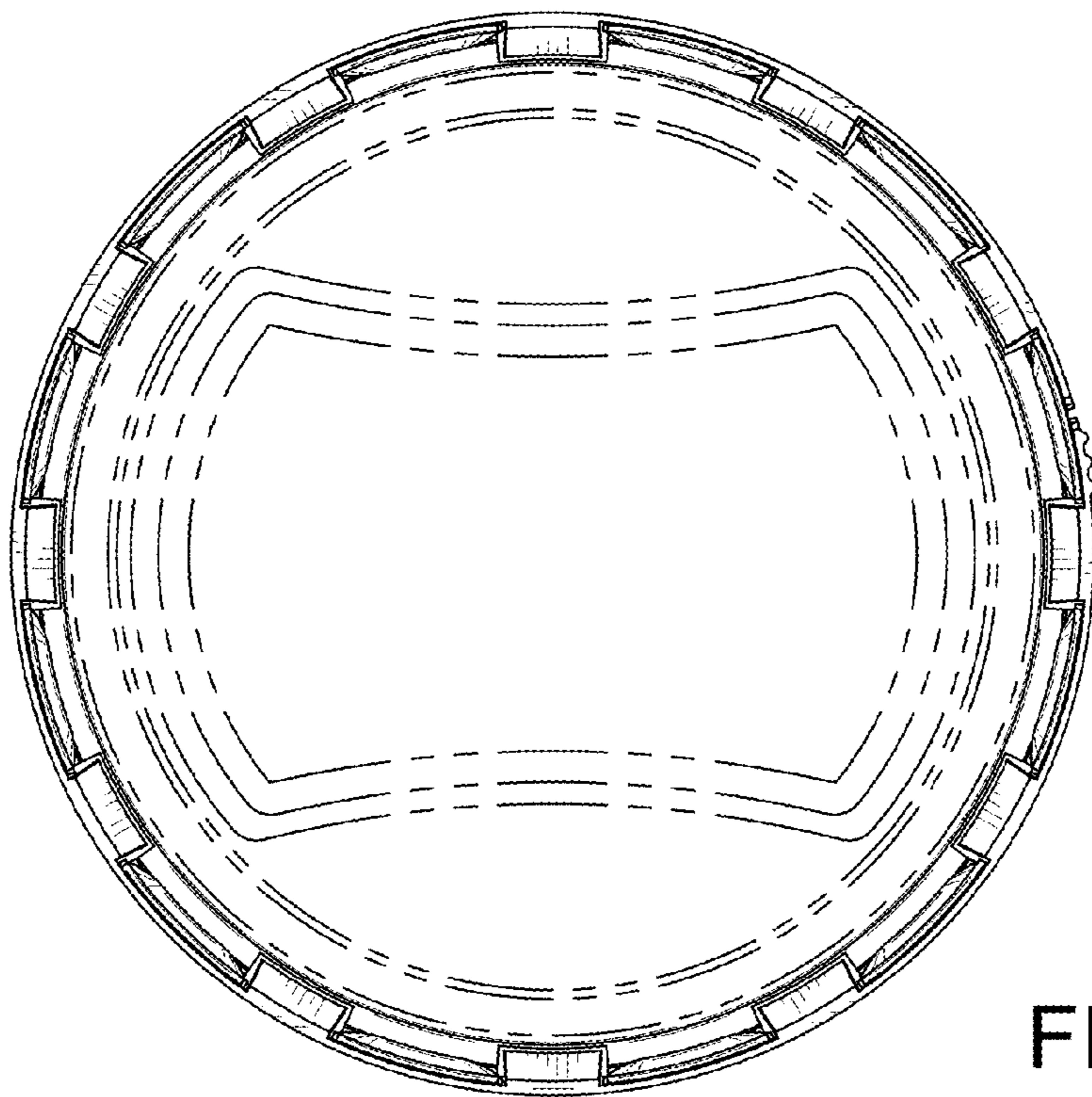


FIG. 3

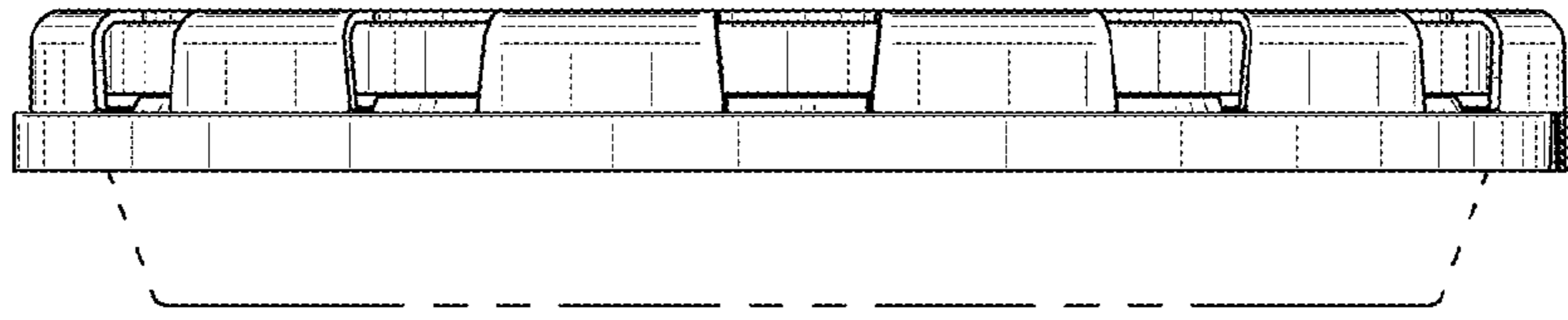


FIG. 4

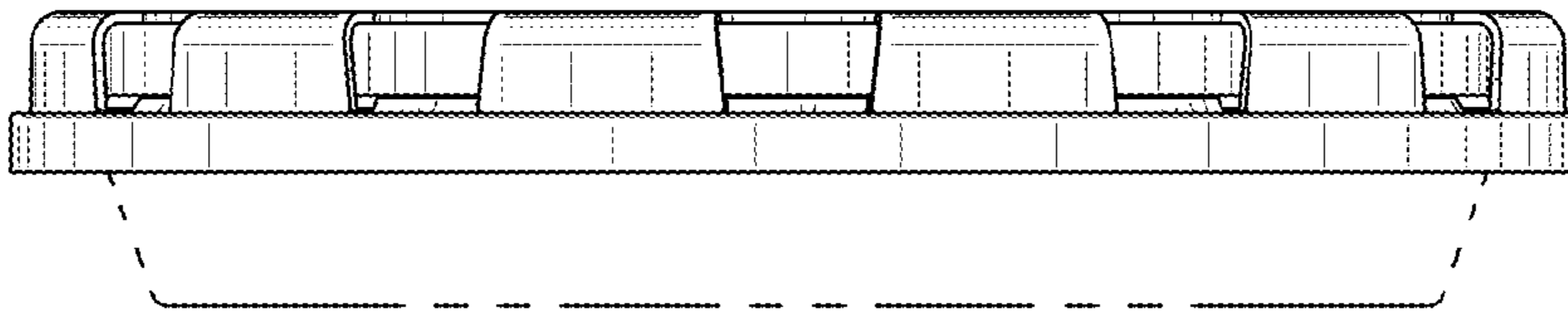


FIG. 5

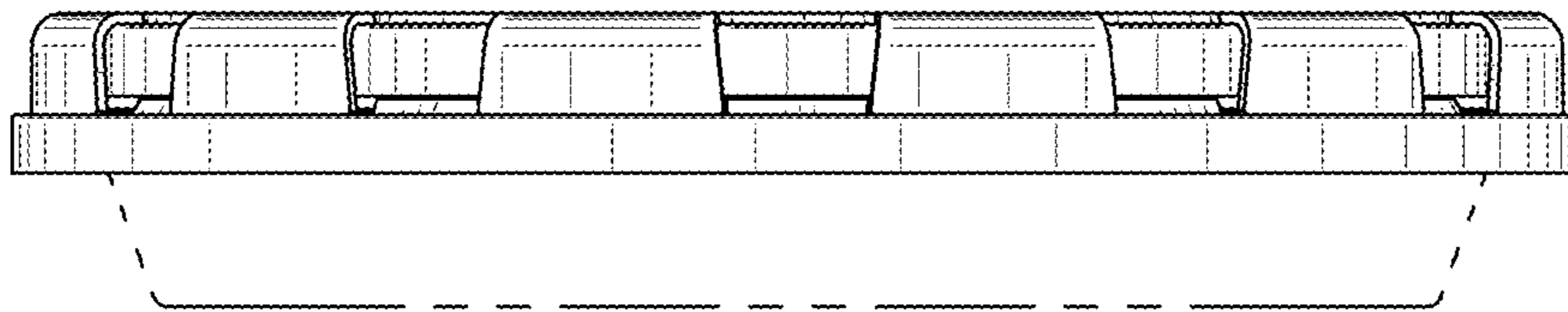


FIG. 6

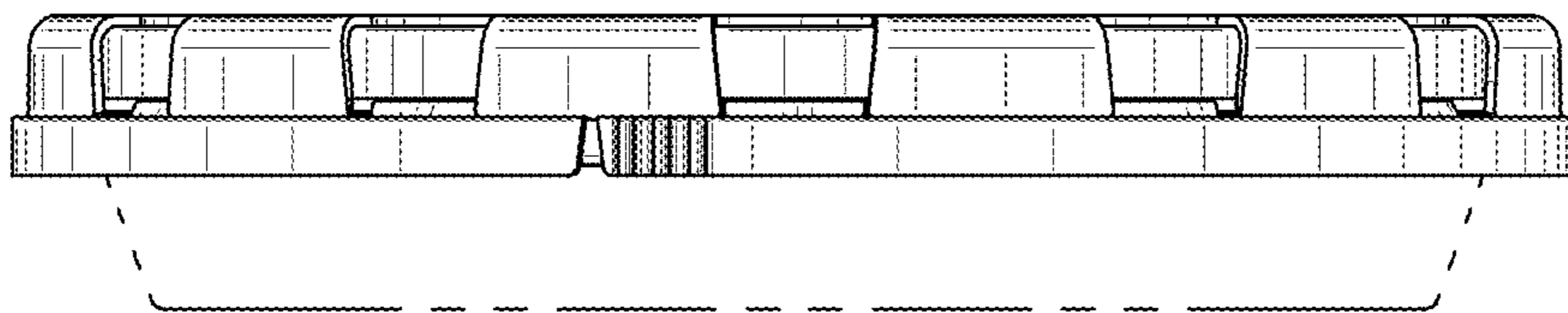


FIG. 7