



US00D739231S

(12) **United States Design Patent**  
**Snedden et al.**

(10) **Patent No.:** **US D739,231 S**

(45) **Date of Patent:** **\*\* Sep. 22, 2015**

(54) **CONTAINER**

(71) Applicant: **Direct Pack, Inc.**, Sun Valley, CA (US)

(72) Inventors: **Craig R. Snedden**, La Canada  
Flintridge, CA (US); **Gandhi B.**  
**Sifuentes**, West Covina, CA (US); **Cesar**  
**E. Ramirez**, Hacienda Heights, CA (US)

(73) Assignee: **DIRECT PACK, INC.**, Azusa, CA (US)

(\*\*) Term: **14 Years**

(21) Appl. No.: **29/502,424**

(22) Filed: **Sep. 16, 2014**

(51) **LOC (10) Cl.** ..... **09-03**

(52) **U.S. Cl.**  
USPC ..... **D9/425**

(58) **Field of Classification Search**  
USPC ..... D9/414, 420-432; D3/272, 273, 302,  
D3/278, 294; D7/601, 629, 605, 607,  
D7/392.1; 206/267, 269, 273, 299, 737,  
206/740, 822; 220/526, 522, 826  
CPC ..... B65D 85/52; B65D 2543/00101;  
B65D 2543/00296; B65D 43/162; B65D  
21/022; Y10S 229/906  
See application file for complete search history.

(56) **References Cited**

**U.S. PATENT DOCUMENTS**

5,046,659	A	*	9/1991	Warburton	.....	220/4.22
D332,917	S	*	2/1993	McDevitt et al.	.....	D9/423
D473,137	S	*	4/2003	Cadiente et al.	.....	D9/423
D475,919	S	*	6/2003	Choffez	.....	D9/432
D483,664	S	*	12/2003	Cadiente	.....	D9/418
D533,059	S	*	12/2006	Knutson et al.	.....	D9/435
D533,075	S	*	12/2006	Snedden et al.	.....	D9/717
D562,128	S	*	2/2008	van de Velde	.....	D9/420
D610,448	S	*	2/2010	Drozek et al.	.....	D9/424

D628,478	S	*	12/2010	Snedden et al.	.....	D9/431
D628,479	S	*	12/2010	Snedden et al.	.....	D9/431
D631,339	S	*	1/2011	Golota et al.	.....	D9/425
D640,550	S	*	6/2011	Snedden et al.	.....	D9/431
D666,904	S	*	9/2012	Snedden et al.	.....	D9/424
D666,905	S	*	9/2012	Ramirez et al.	.....	D9/424
D672,231	S	*	12/2012	Snedden et al.	.....	D9/424
D686,920	S	*	7/2013	Cassius et al.	.....	D9/636
D688,126	S	*	8/2013	Snedden et al.	.....	D9/435
D690,194	S	*	9/2013	Snedden et al.	.....	D9/425
D718,258	S	*	11/2014	Lowes et al.	.....	D13/180

**OTHER PUBLICATIONS**

U.S. Appl. No. 29/469,921, filed Oct. 16, 2013.

\* cited by examiner

*Primary Examiner* — Philip S Hyder

*Assistant Examiner* — Keith Frank

(74) *Attorney, Agent, or Firm* — Frost Brown Todd LLC

(57) **CLAIM**

The ornamental design for a container, as shown and described.

**DESCRIPTION**

FIG. 1 is a side perspective view of a container showing our new design in an open position;

FIG. 2 is a top perspective view of the container in a closed position;

FIG. 3 is a right elevational view thereof;

FIG. 4 is a left elevational view thereof;

FIG. 5 is a front elevational view thereof;

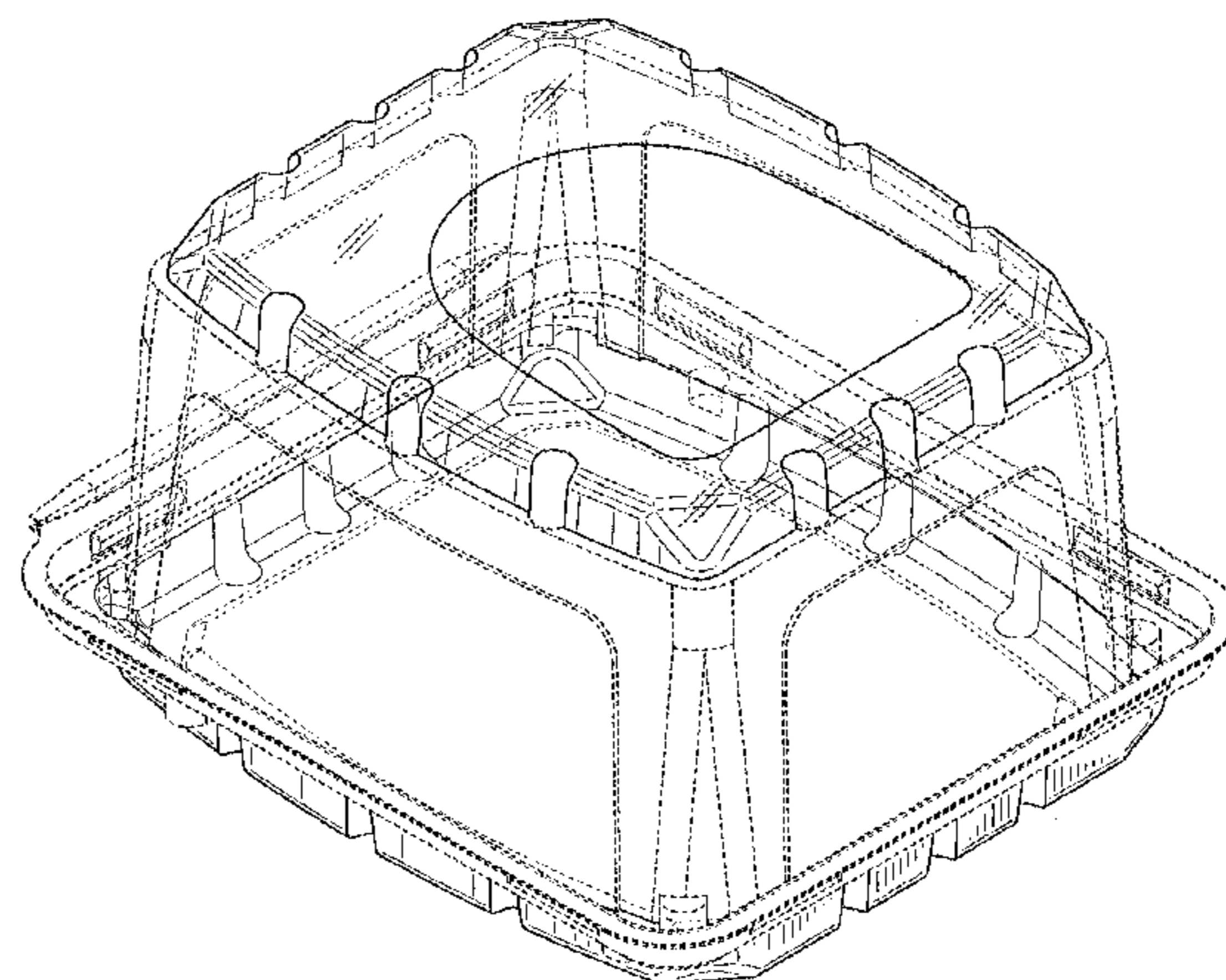
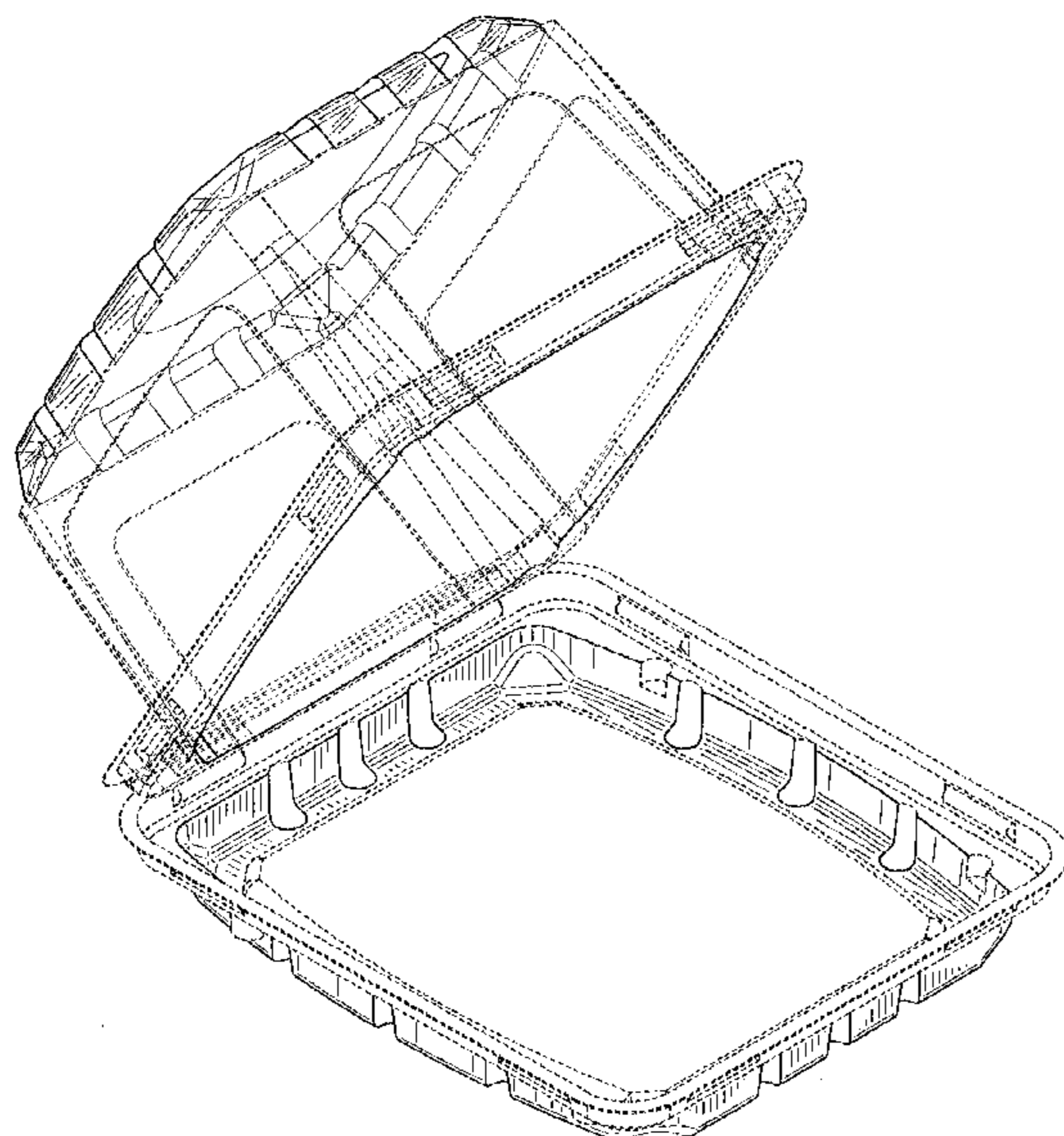
FIG. 6 is a back elevational view thereof;

FIG. 7 is a top plan view thereof; and,

FIG. 8 is a bottom plan view thereof.

The portions of the container shown in broken lines are unclaimed environment and form no part of the claimed design.

**1 Claim, 8 Drawing Sheets**



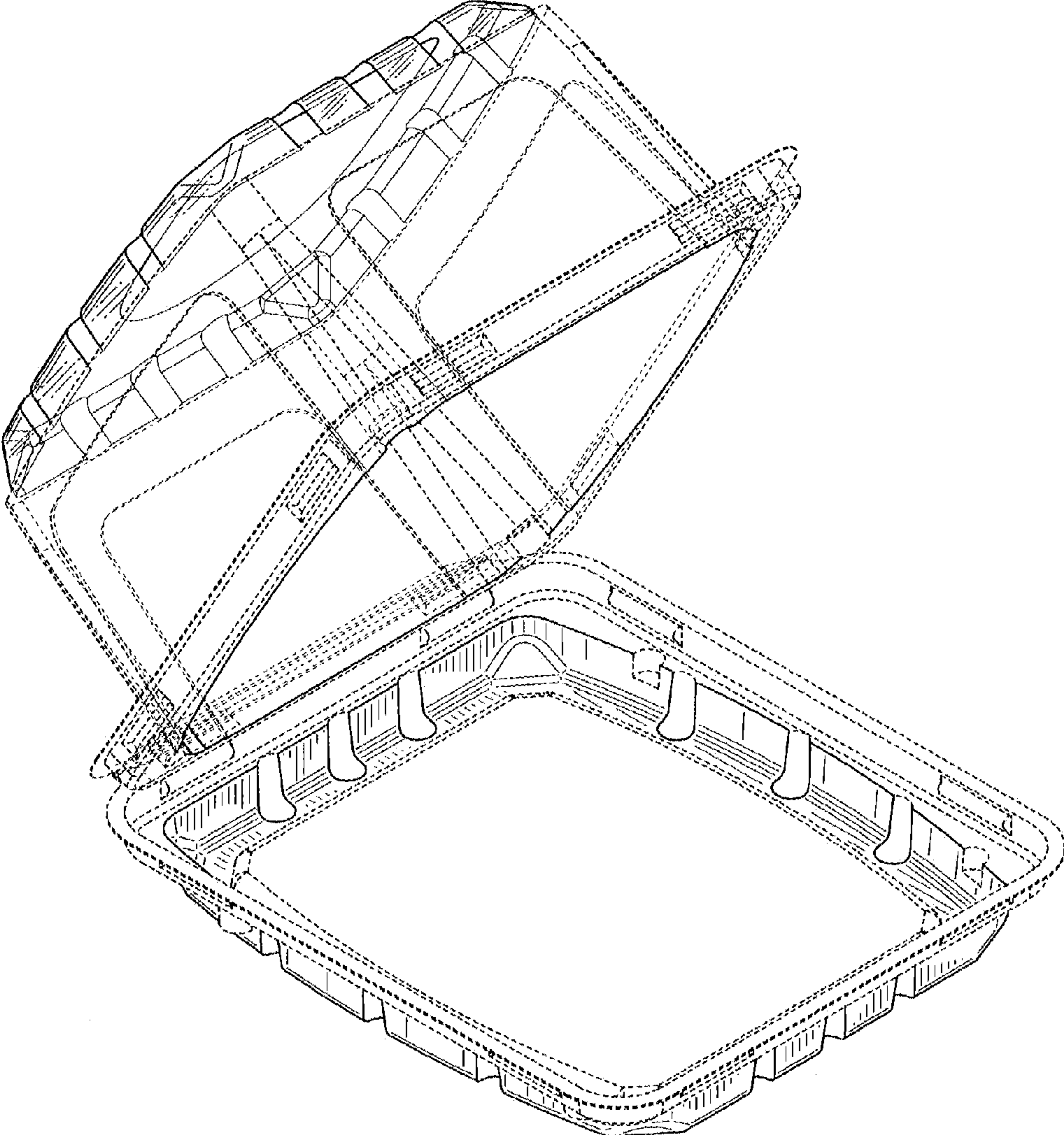


FIG. 1



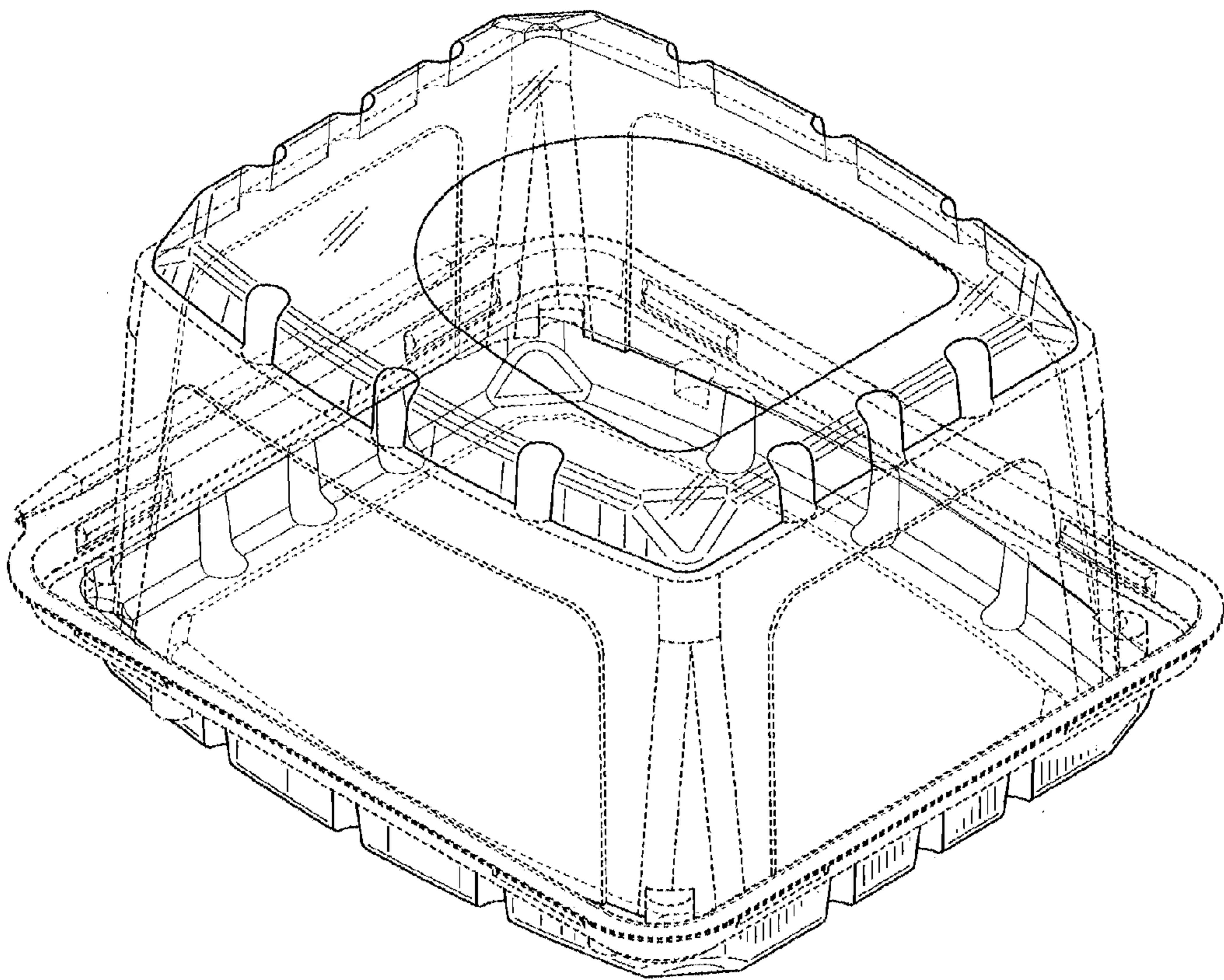


FIG. 2

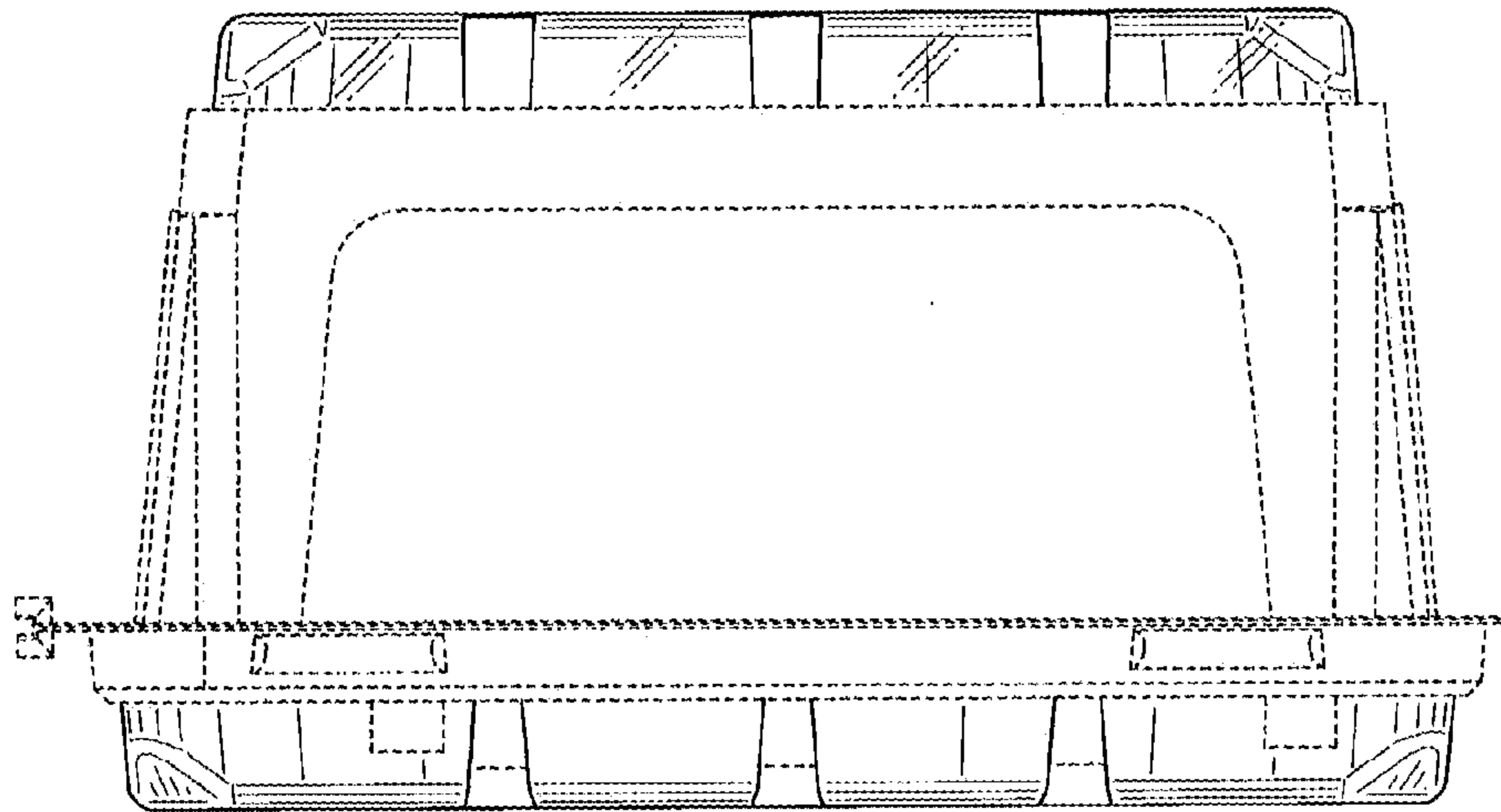


FIG. 3

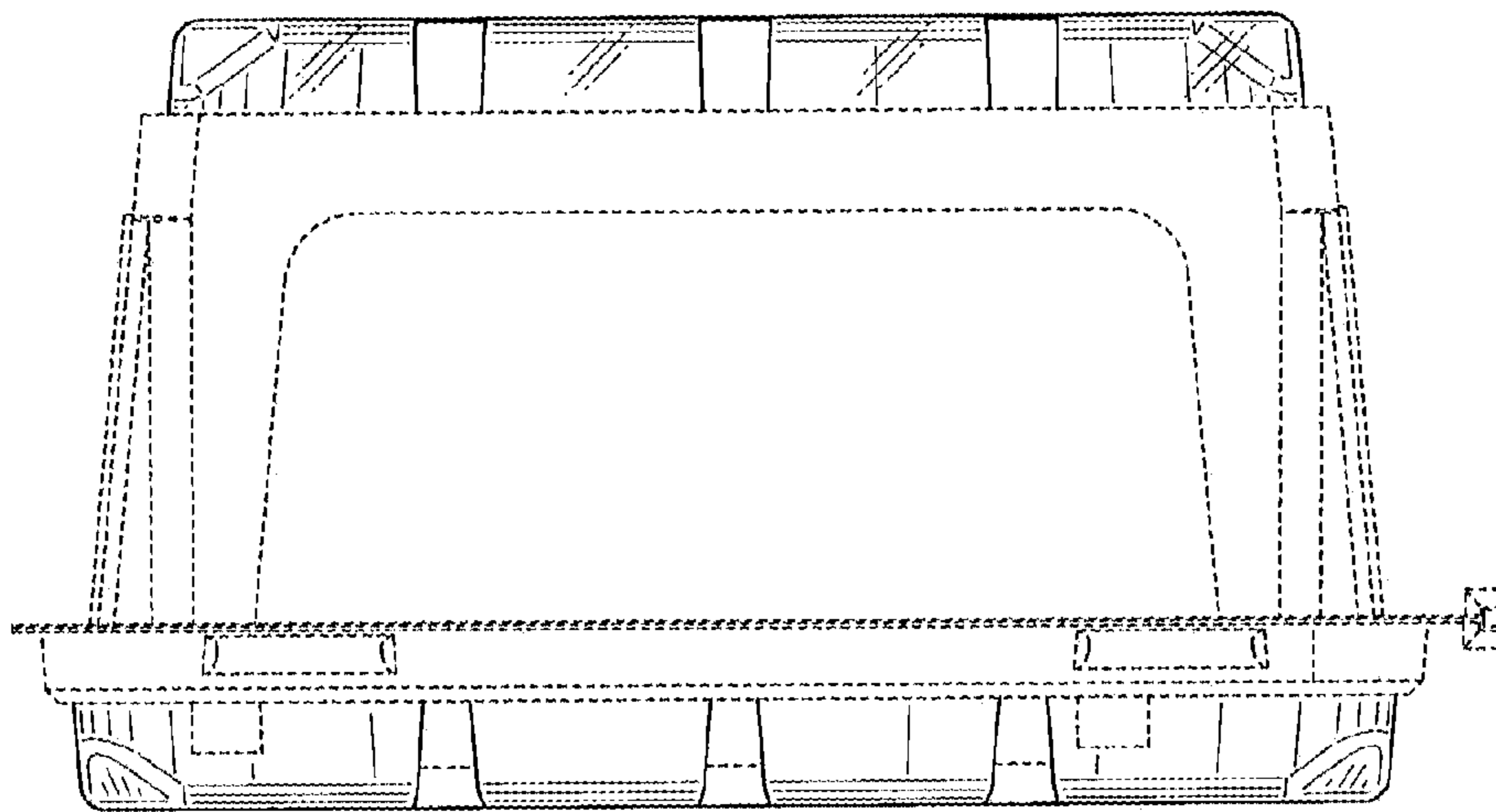


FIG. 4

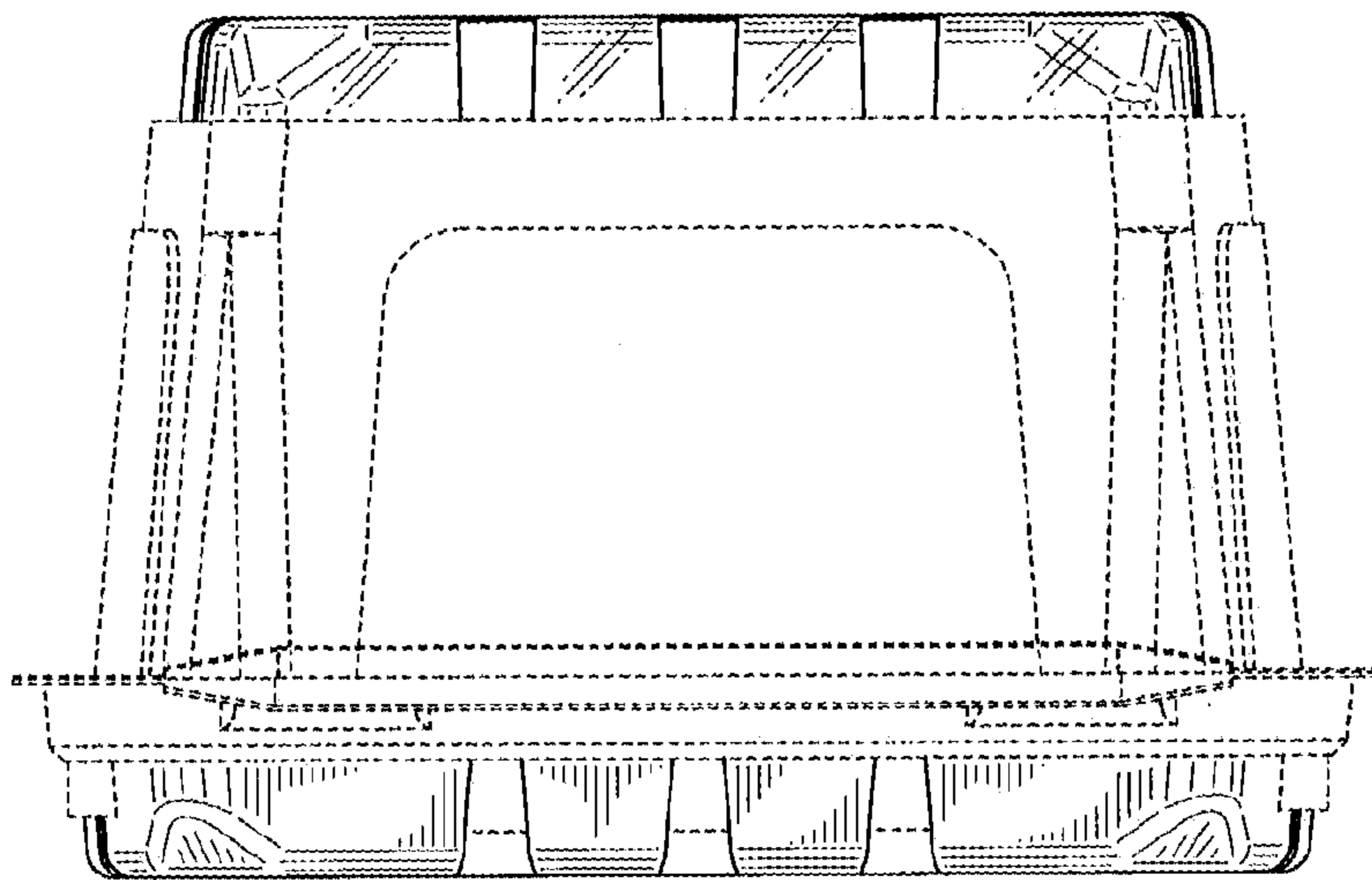


FIG. 5

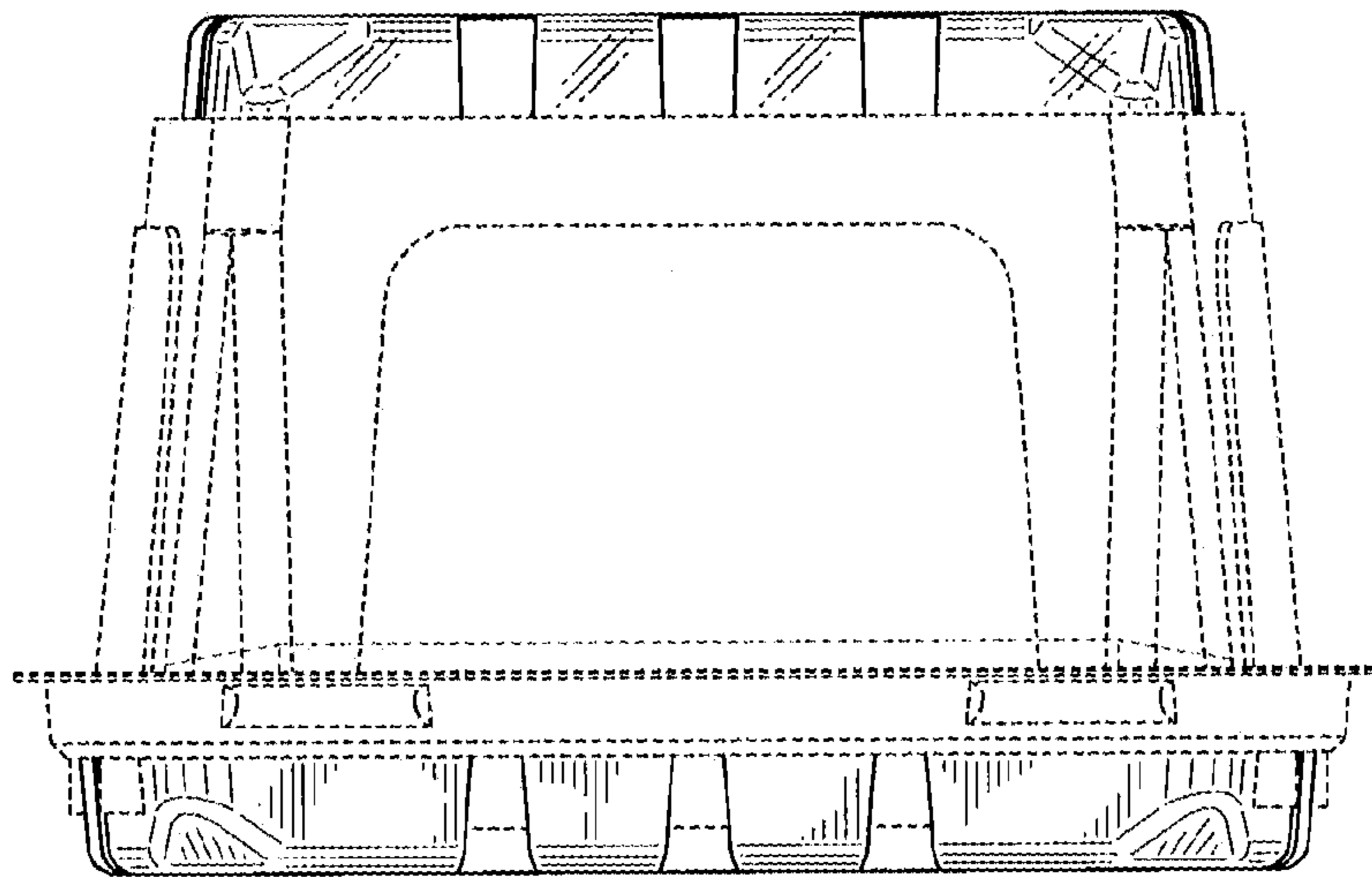


FIG. 6

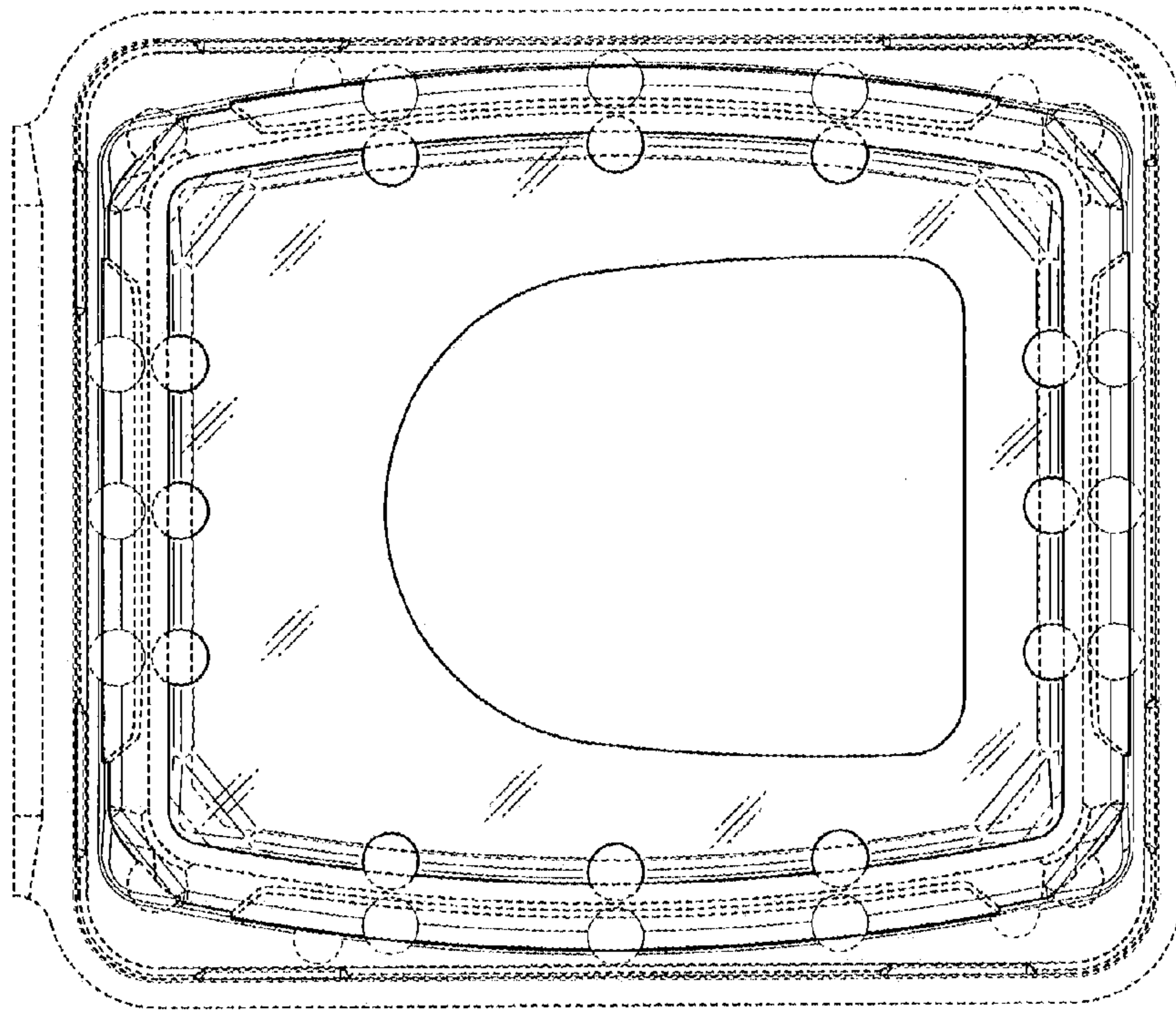


FIG. 7



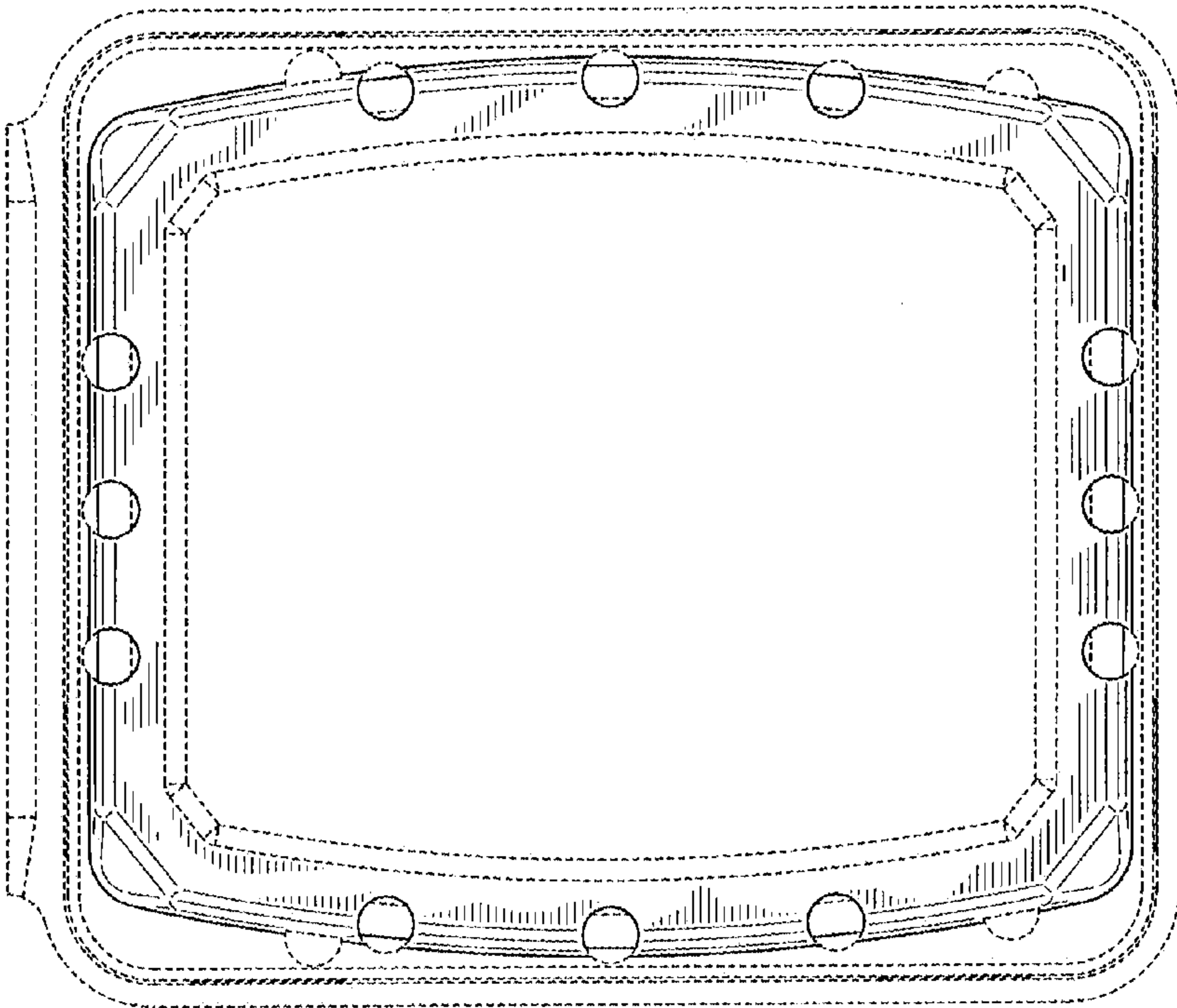


FIG. 8