



US00D739228S

(12) **United States Design Patent**
Jondal et al.

(10) **Patent No.:** **US D739,228 S**

(45) **Date of Patent:** **** Sep. 22, 2015**

(54) **CONTAINER**

(71) Applicant: **World Centric**, Petaluma, CA (US)

(72) Inventors: **Viktor Jondal**, Brooklyn, NY (US);
Aseem Das, Petaluma, CA (US)

(73) Assignee: **World Centric**, Petaluma, CA (US)

(**) Term: **14 Years**

(21) Appl. No.: **29/483,913**

(22) Filed: **Mar. 4, 2014**

(51) **LOC (10) Cl.** **09-03**

(52) **U.S. Cl.**
USPC **D9/421**

(58) **Field of Classification Search**
USPC D9/414, 416, 420-432, 450, 454-457,
D9/759; D7/601, 629, 605, 607, 392.1;
D3/267, 273, 302, 278, 294; 206/267,
206/269, 273, 299, 737, 740, 822;
220/254.1, 791, 793
CPC B65D 43/164; B65D 17/163; B65D
2543/00648; B65D 2543/0099; B65D 43/162
See application file for complete search history.

(56) **References Cited**

U.S. PATENT DOCUMENTS

5,277,329	A *	1/1994	Pomroy et al.	220/526
D348,607	S *	7/1994	Young	D9/423
5,330,069	A *	7/1994	Jamison et al.	220/819
D448,166	S *	9/2001	Zimmerman	D3/273
6,540,078	B1 *	4/2003	Homent et al.	206/438
D493,282	S *	7/2004	Dubois et al.	D3/273
D501,722	S *	2/2005	Zimmerman	D3/294
D623,482	S *	9/2010	Lam	D7/629
D631,741	S *	2/2011	Hubbard et al.	D9/433
D643,717	S *	8/2011	Reinhart et al.	D9/435
D668,555	S *	10/2012	Archie et al.	D9/761
D679,198	S *	4/2013	O'Connor et al.	D9/756
D684,465	S *	6/2013	Vernon et al.	D9/432

D708,941	S *	7/2014	Das	D9/432
2006/0289665	A1 *	12/2006	Yoda	237/12.3 R
2008/0277397	A1 *	11/2008	Vovan	220/522
2010/0282752	A1 *	11/2010	Lam	220/326
2013/0233874	A1 *	9/2013	Sundnes	220/826
2014/0021214	A1 *	1/2014	Jack	220/826
2014/0027458	A1 *	1/2014	Liu	220/270
2015/0076168	A1 *	3/2015	Barbier et al.	220/826

* cited by examiner

Primary Examiner — Philip S Hyder

Assistant Examiner — Keith Frank

(74) *Attorney, Agent, or Firm* — Sterne, Kessler, Goldstein & Fox P.L.L.C.

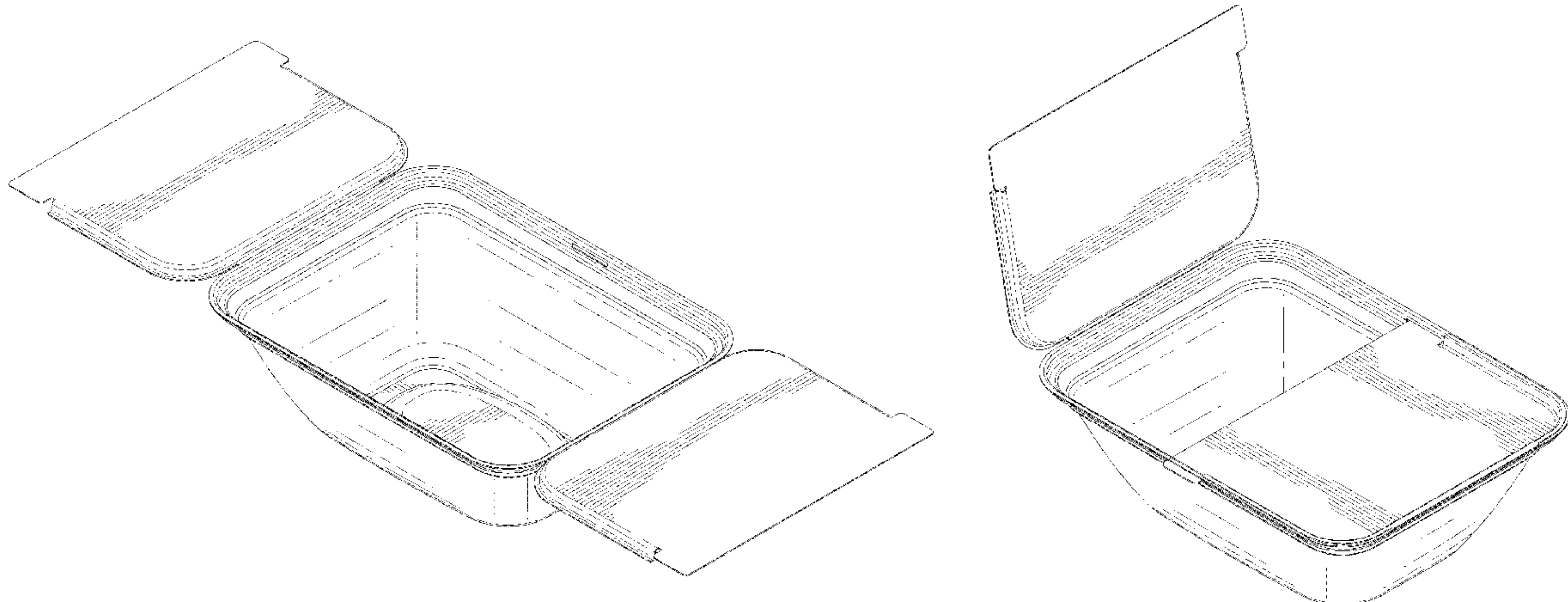
(57) **CLAIM**

The ornamental design for a container, as shown and described.

DESCRIPTION

FIG. 1 is a top perspective view of a container showing our new design in an open condition;
 FIG. 2 is a top view thereof;
 FIG. 3 is a bottom view thereof;
 FIG. 4 is a front view thereof; the rear view being a mirror image thereof;
 FIG. 5 is a left side view thereof; the right side view being a mirror image thereof;
 FIG. 6 is a top perspective view of a container showing our new design in a partially closed condition;
 FIG. 7 is a top perspective view of a container showing our new design in a closed condition;
 FIG. 8 is a top view thereof;
 FIG. 9 is a bottom view thereof;
 FIG. 10 is a front view thereof; the rear view being a mirror image thereof;
 FIG. 11 is a left side view thereof; the right side view being a mirror image thereof; and,
 FIG. 12 is a bottom perspective view thereof.

1 Claim, 12 Drawing Sheets



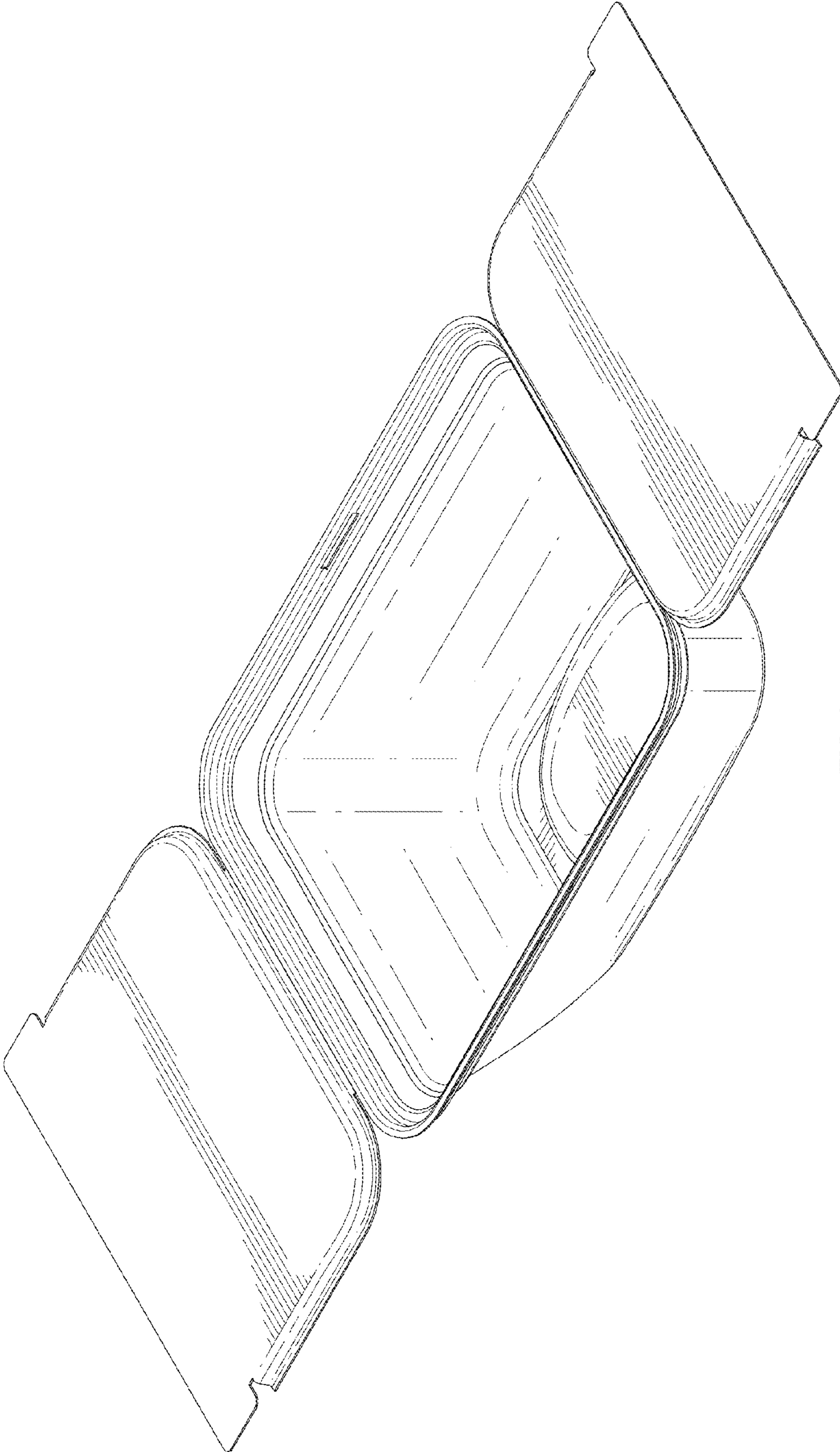


FIG.1

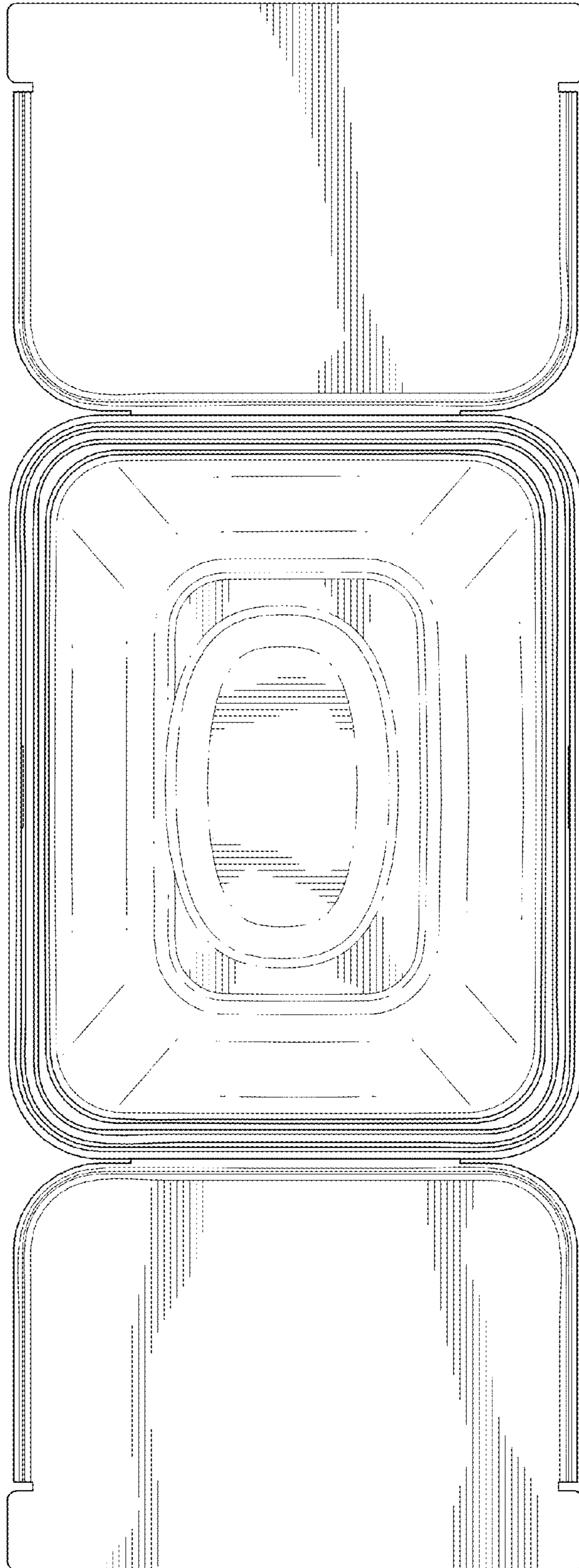


FIG.2

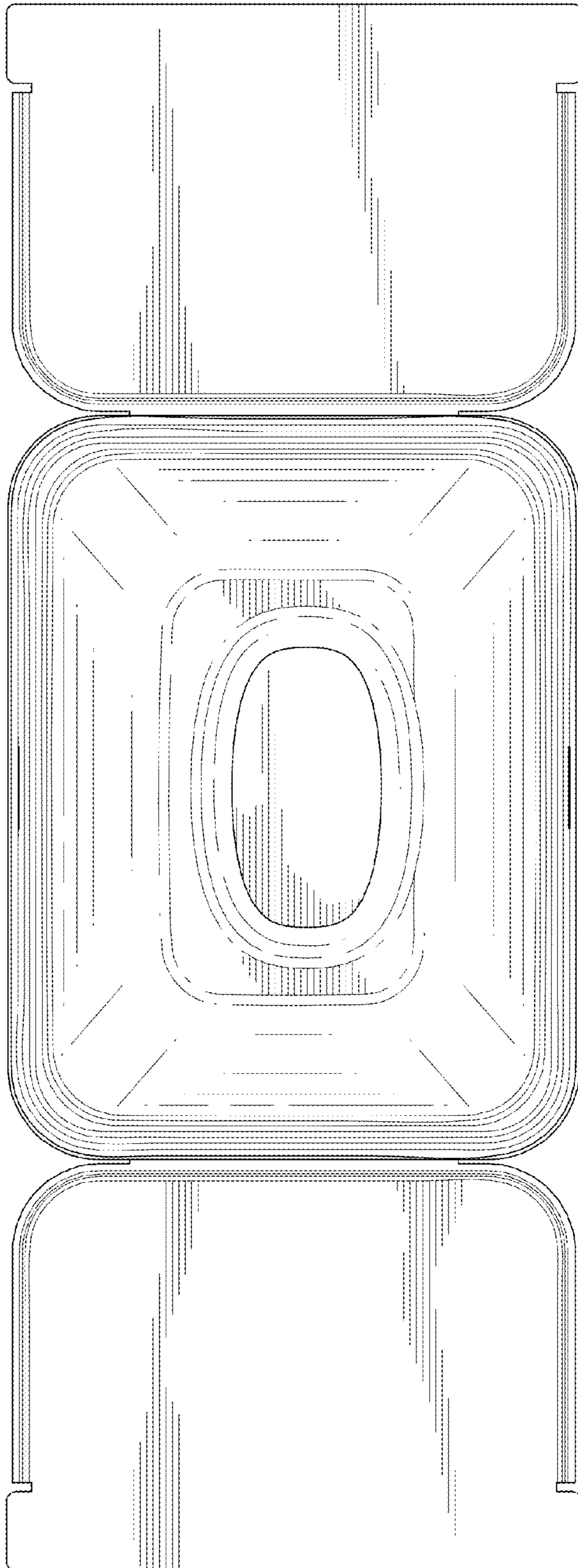


FIG.3

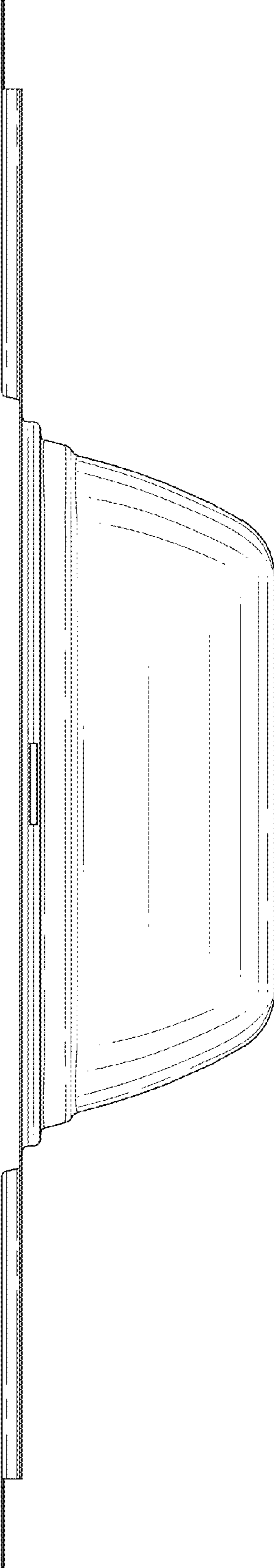


FIG.4

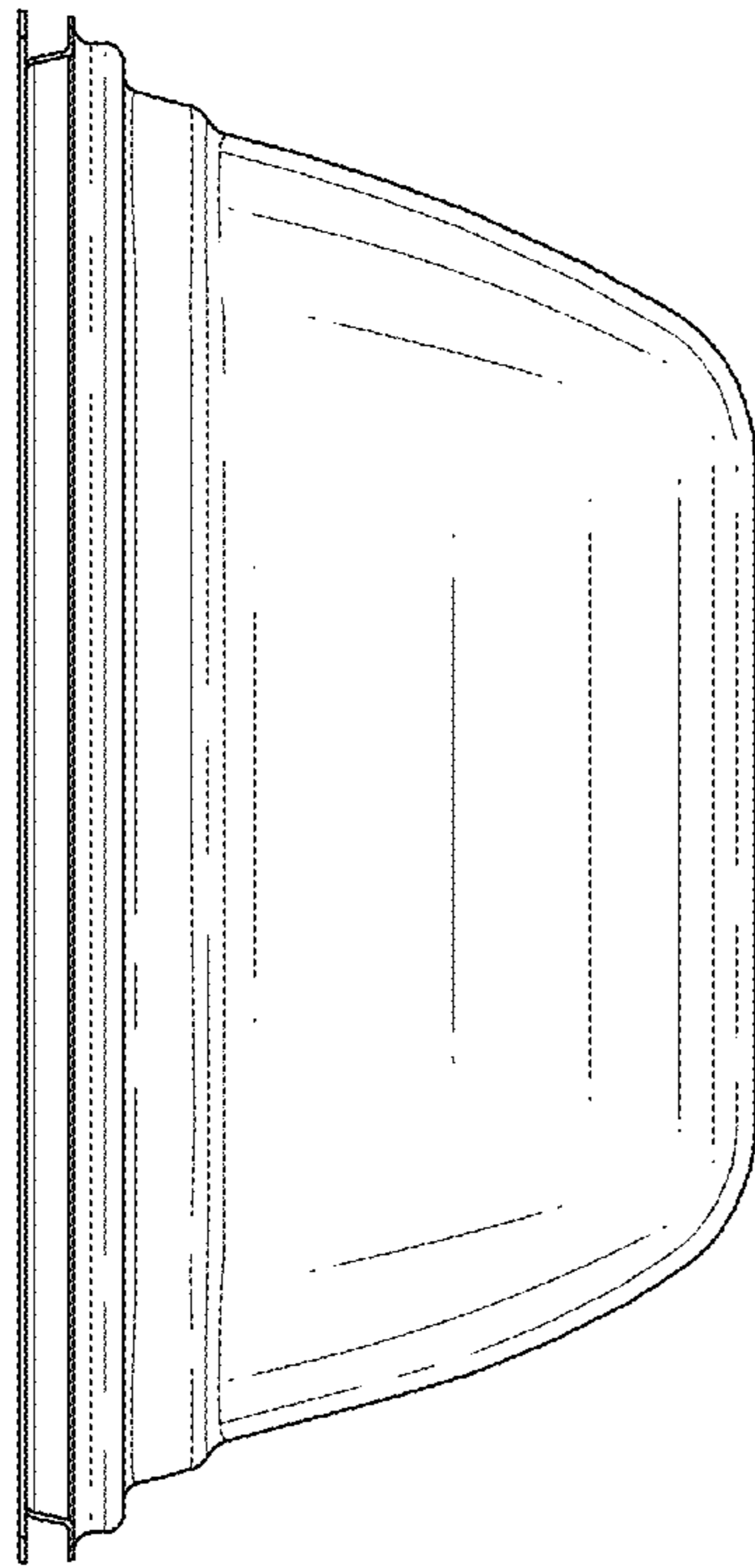
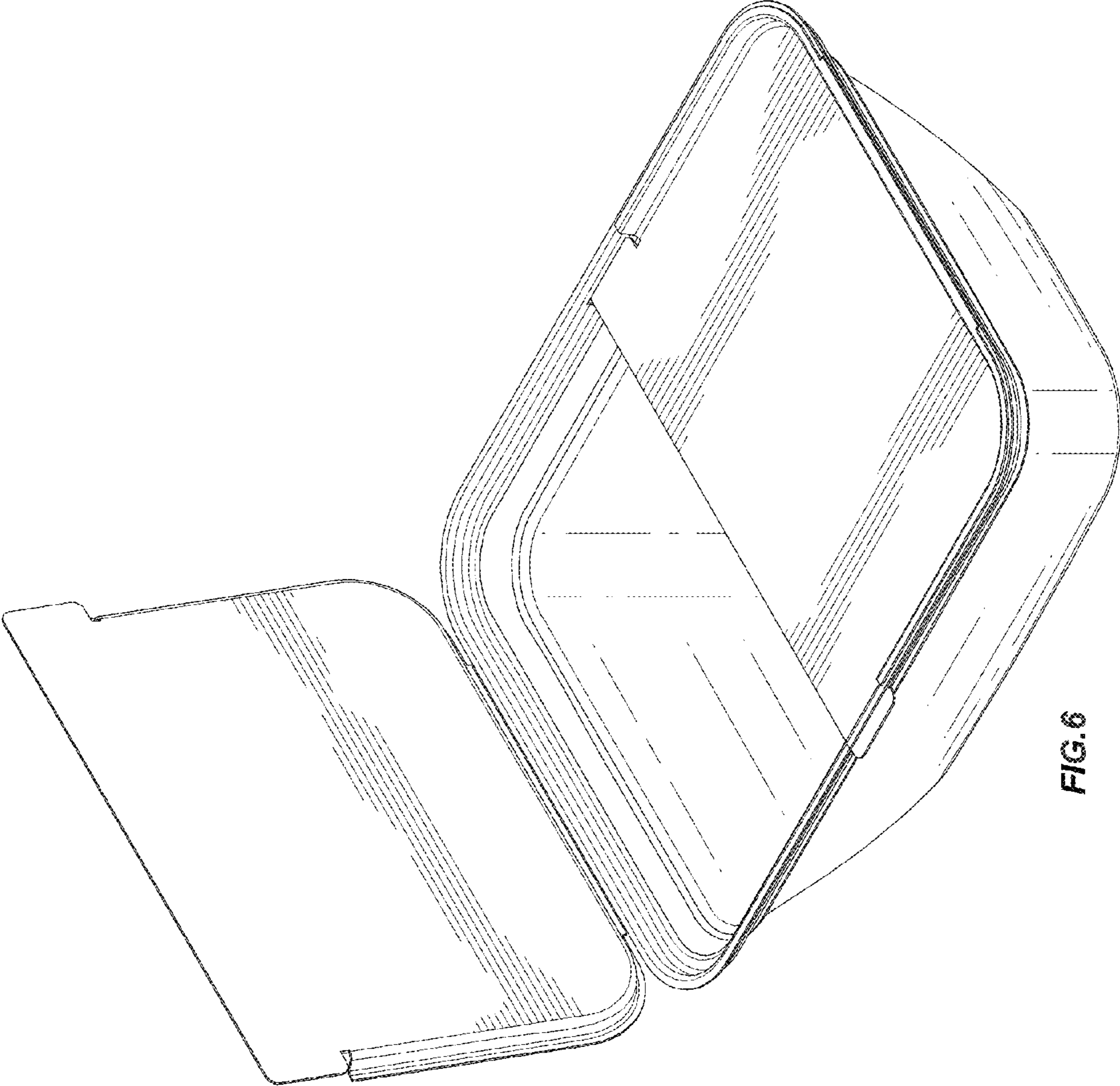


FIG.5



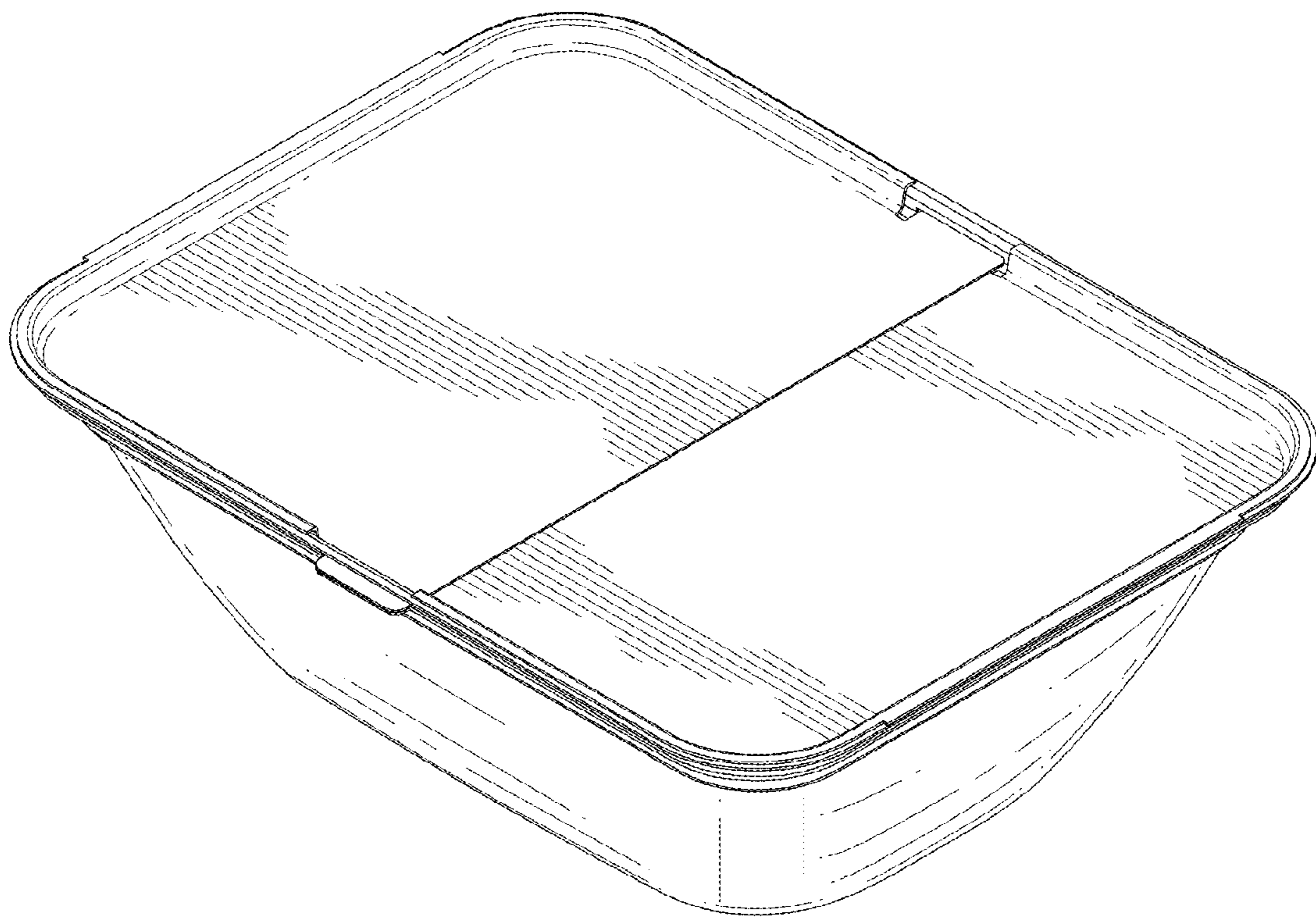


FIG. 7

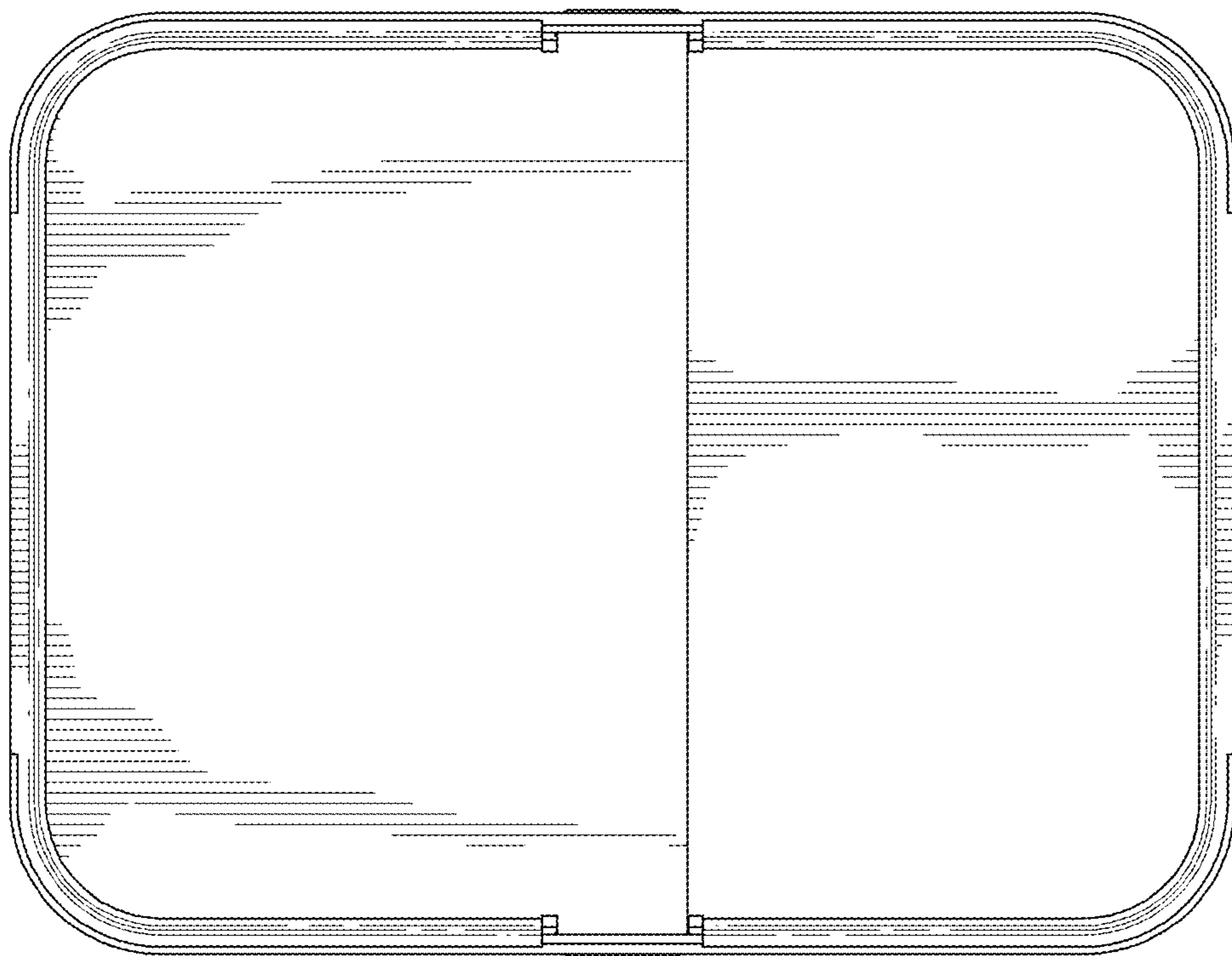


FIG.8

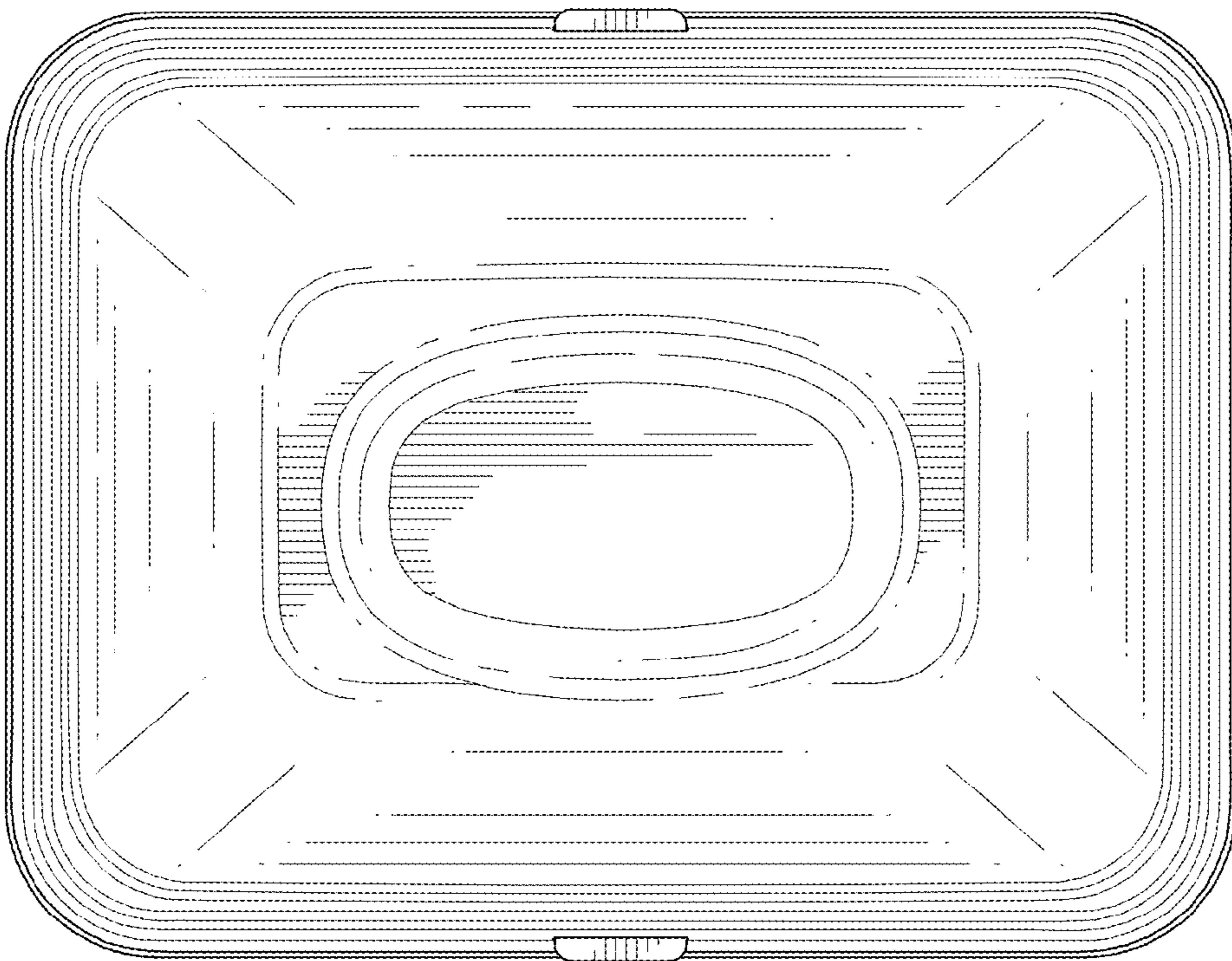


FIG. 9

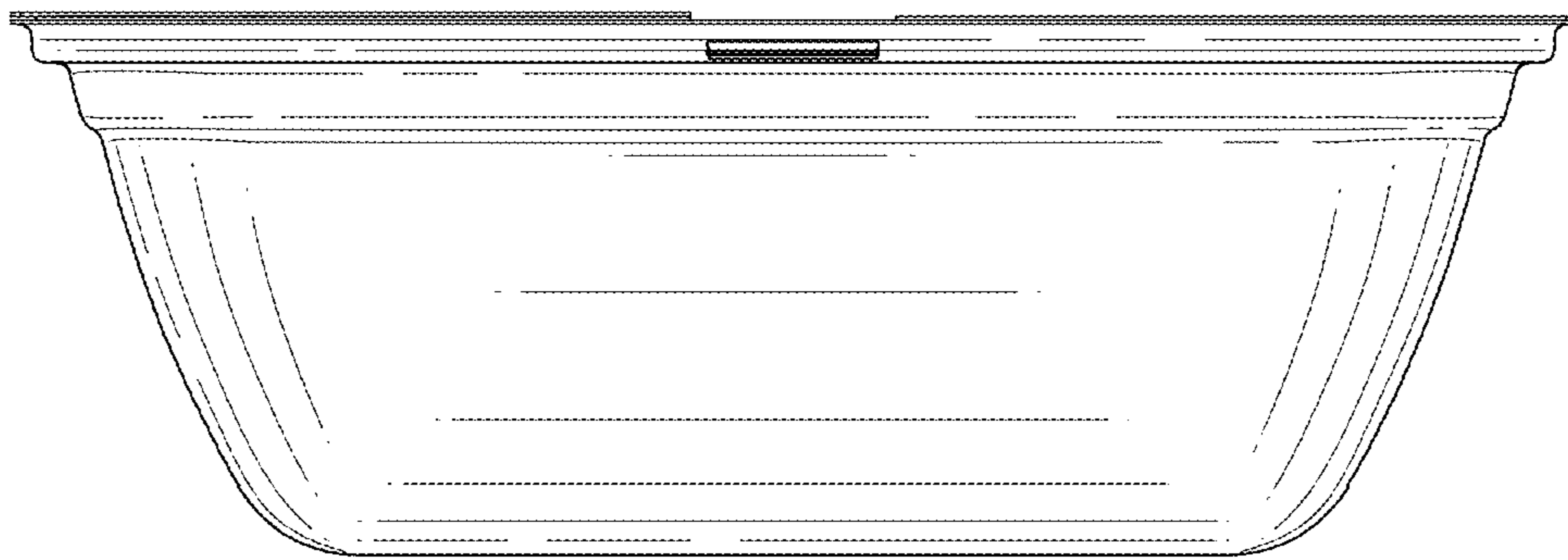


FIG.10

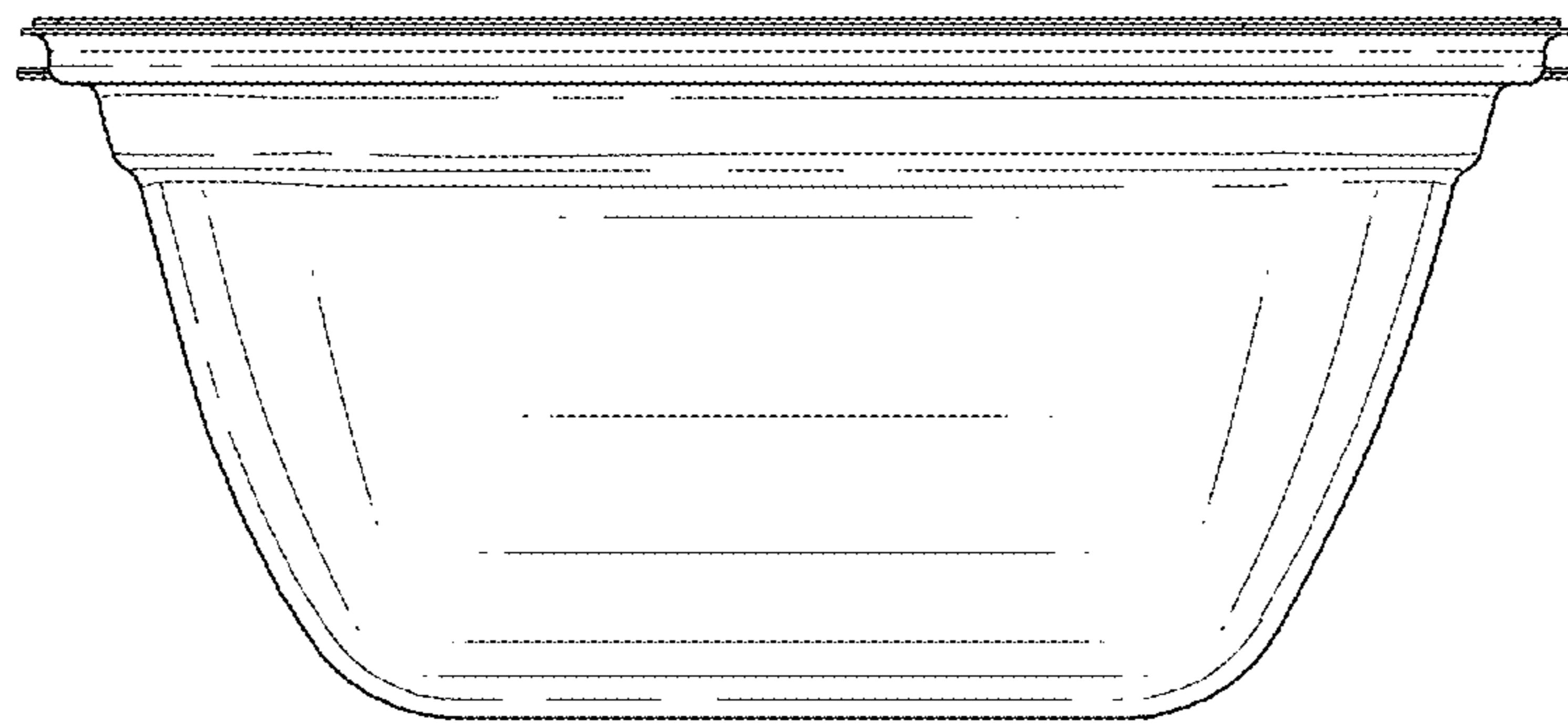


FIG.11

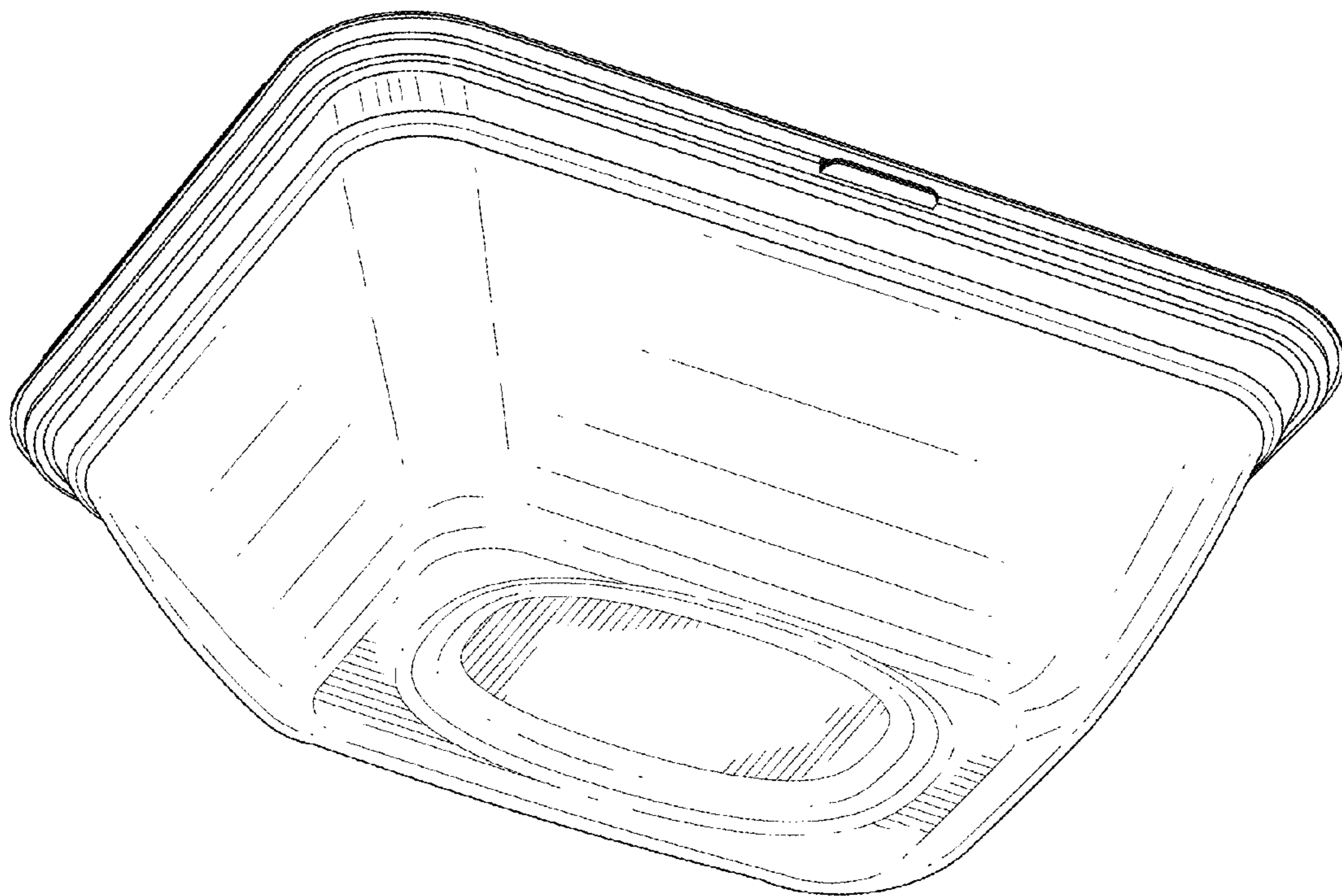


FIG.12