



US00D739227S

(12) **United States Design Patent**
Mitchell et al.

(10) **Patent No.:** **US D739,227 S**
(45) **Date of Patent:** **** Sep. 22, 2015**

- (54) **CONTAINER**
- (71) Applicant: **The J.M. Smucker Company**, Orrville, OH (US)
- (72) Inventors: **Elizabeth Claire Mitchell**, Akron, OH (US); **Duane Nathan Eberhart**, Wooster, OH (US); **Kimberly Anne Szukaitis**, Wooster, OH (US); **Michael Palmisano**, Cincinnati, OH (US)
- (73) Assignee: **The J.M. Smucker Company**, Orrville, OH (US)
- (**) Term: **14 Years**

7,703,619	B2	4/2010	Van Puijenbroek	
D621,719	S	8/2010	Caldwell et al.	
D623,072	S	9/2010	Caldwell et al.	
D623,073	S	9/2010	Caldwell et al.	
D623,074	S	9/2010	Caldwell et al.	
D628,903	S	12/2010	Caldwell et al.	
D629,702	S	12/2010	Caldwell et al.	
D632,560	S	2/2011	Caldwell et al.	
D632,564	S	2/2011	Caldwell et al.	
D632,565	S	2/2011	Caldwell et al.	
D632,566	S	2/2011	Caldwell et al.	
D632,567	S	2/2011	Caldwell et al.	
D632,568	S	2/2011	Caldwell et al.	
D632,569	S	2/2011	Caldwell et al.	
D632,570	S	2/2011	Caldwell et al.	
D634,643	S	3/2011	Caldwell et al.	
D636,220	S	4/2011	Caldwell et al.	
D640,921	S	7/2011	Caldwell et al.	
D642,904	S *	8/2011	Turvey	D9/424
D680,882	S *	4/2013	Logue	D9/732
D686,913	S *	7/2013	Kirk et al.	D9/416
D696,108	S *	12/2013	De Pra	D9/416
D697,399	S *	1/2014	Parmar et al.	D9/416
D697,794	S *	1/2014	De Pra	D9/425
D698,239	S *	1/2014	De Pra	D9/425
D699,567	S *	2/2014	De Pra	D9/425
D703,063	S *	4/2014	Garrity et al.	D9/695
D723,365	S *	3/2015	Mitchell et al.	D9/416
2006/0278562	A1	12/2006	Van Puijenbroek	
2008/0002921	A1 *	1/2008	Redmond	383/109
2010/0176125	A1	7/2010	Van Puijenbroek	
2010/0270330	A1	10/2010	Caldwell et al.	
2010/0320206	A1	12/2010	Caldwell et al.	
2011/0097020	A1	4/2011	Rasile	
2012/0205385	A1 *	8/2012	Crosby	220/600
2013/0136828	A1 *	5/2013	Anghileri	426/112

Related U.S. Application Data

- (62) Division of application No. 29/449,721, filed on Mar. 15, 2013, now Pat. No. Des. 723,365.
- (51) **LOC (10) Cl.** **09-03**
- (52) **U.S. Cl.**
USPC **D9/416**
- (58) **Field of Classification Search**
USPC D9/414, 415, 418, 416, 420, 423, 424, D9/425, 426, 428, 430-433, 434, 435, 445, D9/449, 454, 455, 456, 465, 499, 501-503, D9/522, 529, 643, 645, 651, 688-692, D9/702-715, 734, 737-738, 740-742, 744, D9/751, 755, 722, 756, 759, 760, 727, 758, D9/749; 220/23.87-23.89, 560.01, 579; 206/273, 467; 211/40
CPC B65D 2577/205; B65D 2543/00092; B65D 31/04; B65D 7/44; B65D 85/73
See application file for complete search history.

FOREIGN PATENT DOCUMENTS

CA	2552716	6/2011
EP	1597168 B1	8/2013
WO	WO2004063048 A1	7/2004
WO	WO2010123582 A2	10/2010
WO	WO2010123681 A2	10/2010

OTHER PUBLICATIONS

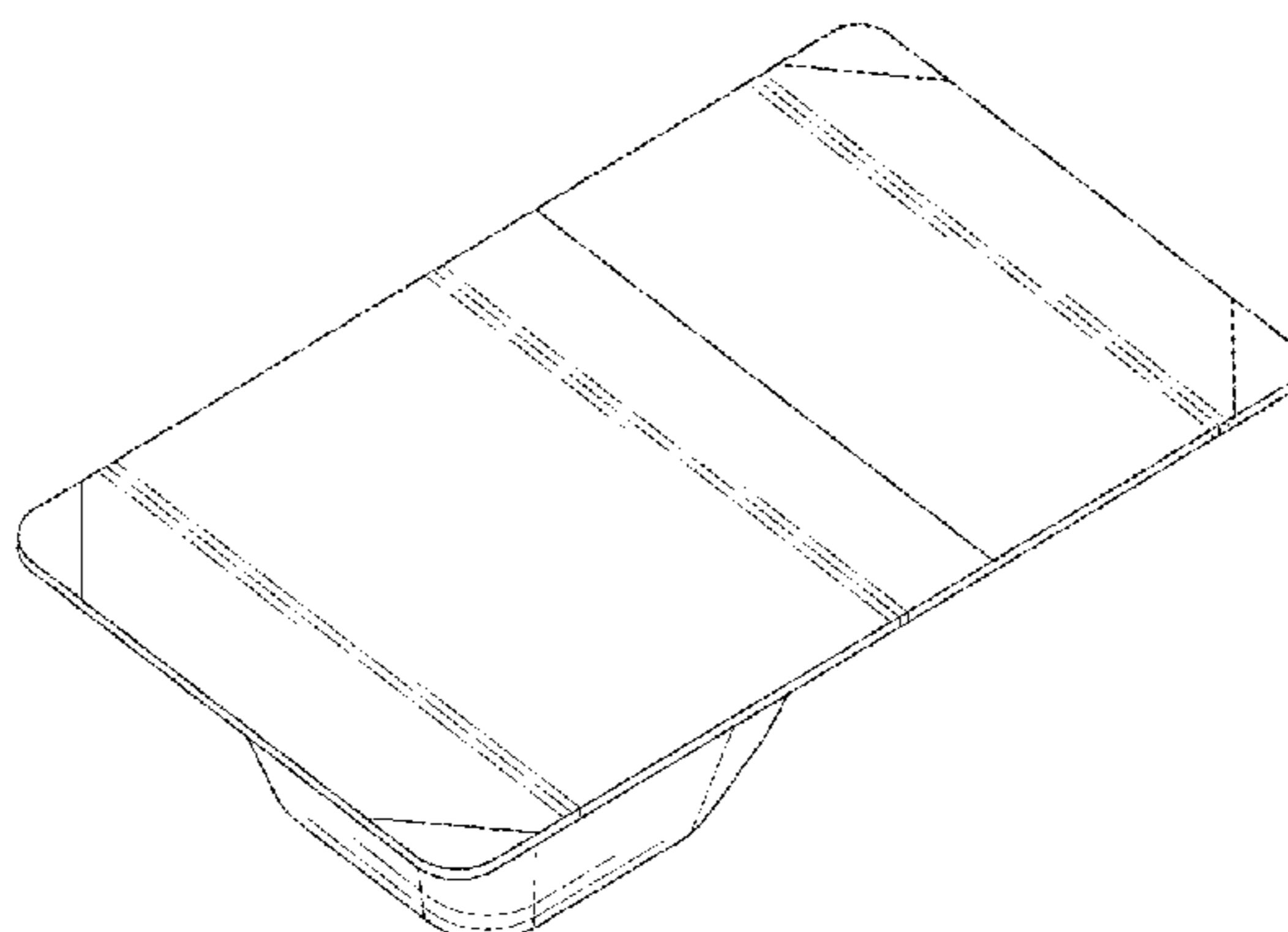
Heinz Ketchup 'Uncaps' New Decade with Revolutionary Product and Packaging Innovations, Press Release, Feb. 4, 2010. <http://www.heinz.com/our-company/press-room/press-releases/press-release.aspx?ndmConfigId=1012072&newsId=20100204005923>[Feb. 8, 2011 12:01:08PM].

* cited by examiner

(56) **References Cited**

U.S. PATENT DOCUMENTS

4,863,036	A *	9/1989	Heijenga	229/123.1
4,875,620	A *	10/1989	Lane, Sr.	229/404
D440,874	S *	4/2001	Shurtleff et al.	D9/425



Primary Examiner — Holly Baynham

Assistant Examiner — Rhea Shields

(74) *Attorney, Agent, or Firm* — Calfee, Halter & Griswold
LLP

(57) **CLAIM**

We claim the ornamental design for a container, as shown and described.

DESCRIPTION

FIG. 1 is a top perspective view of a container covered with a lid; according to a first embodiment;
FIG. 2 is a bottom perspective view of the container of FIG. 1;
FIG. 3 is a side view of the container of FIG. 1;
FIG. 4 is a top plan view of the container of FIG. 1;
FIG. 5 is a bottom plan view of the container of FIG. 1;
FIG. 6 is a front view of the container of FIG. 1;
FIG. 7 is a rear view of the container of FIG. 1;
FIG. 8 is a top perspective view thereof, with the lid removed from the container;
FIG. 9 is a top plan view of the container thereof;
FIG. 10 is a top perspective view of a container covered with a lid; according to a second embodiment;
FIG. 11 is a bottom perspective view of the container of FIG. 10;
FIG. 12 is a top plan view of the container of FIG. 10;
FIG. 13 is a bottom plan view of the container of FIG. 10;
FIG. 14 is a side view of the container of FIG. 10;
FIG. 15 is a front view of the container of FIG. 10;
FIG. 16 is a rear view of the container of FIG. 10;
FIG. 17 is a top perspective view thereof, with the lid removed from the container;
FIG. 18 is a top plan view of the container thereof;
FIG. 19 is a top perspective view of a container covered with a lid; according to a third embodiment;

FIG. 20 is a bottom perspective view of the container of FIG. 19;
FIG. 21 is a top plan view of the container of FIG. 19;
FIG. 22 is a bottom plan view of the container of FIG. 19;
FIG. 23 is a side view of the container of FIG. 19;
FIG. 24 is a front view of the container of FIG. 19;
FIG. 25 is a rear view of the container of FIG. 19;
FIG. 26 is a top perspective view thereof, with the lid removed from the container;
FIG. 27 is a top plan view of the container thereof;
FIG. 28 is a top perspective view of a container covered with a lid; according to a fourth embodiment;
FIG. 29 is a bottom perspective view of the container of FIG. 28;
FIG. 30 is a top plan view of the container of FIG. 28;
FIG. 31 is a bottom plan view of the container of FIG. 28;
FIG. 32 is a side view of the container of FIG. 28;
FIG. 33 is a front view of the container of FIG. 28;
FIG. 34 is a rear view of the container of FIG. 28;
FIG. 35 is a top perspective view thereof, with the lid removed from the container;
FIG. 36 is a top plan view of the container thereof;
FIG. 37 is a top perspective view of a container covered with a lid; according to a fifth embodiment;
FIG. 38 is a bottom perspective view of the container of FIG. 37;
FIG. 39 is a top plan view of the container of FIG. 37;
FIG. 40 is a bottom plan view of the container of FIG. 37;
FIG. 41 is a side view of the container of FIG. 37;
FIG. 42 is a front view of the container of FIG. 37;
FIG. 43 is a rear view of the container of FIG. 37;
FIG. 44 is a top perspective view thereof, with the lid removed from the container; and,
FIG. 45 is a top plan view of the container thereof.
In the drawings, the broken lines depict unclaimed subject matter only and form no part of the claimed invention.

1 Claim, 19 Drawing Sheets

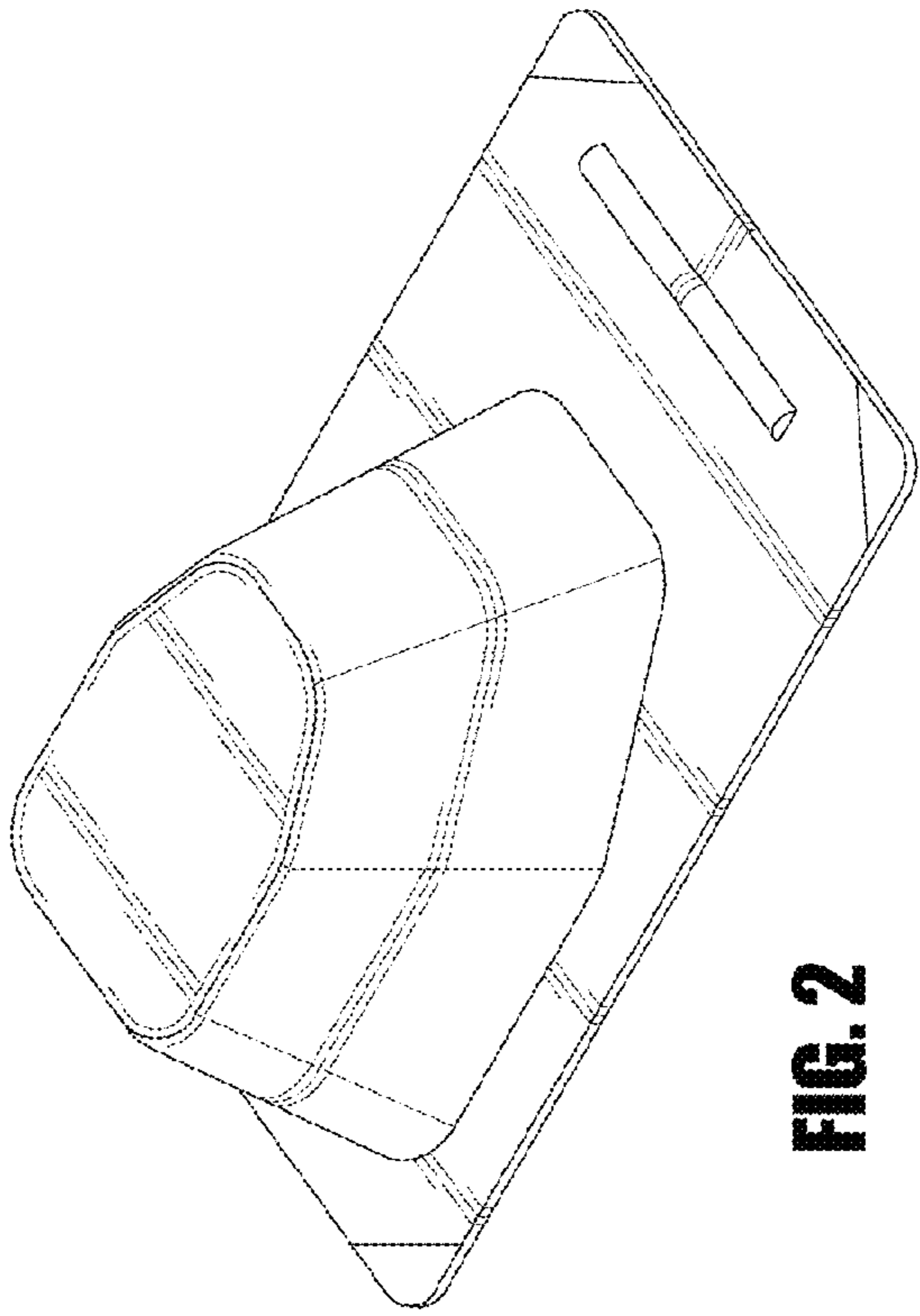


FIG. 1

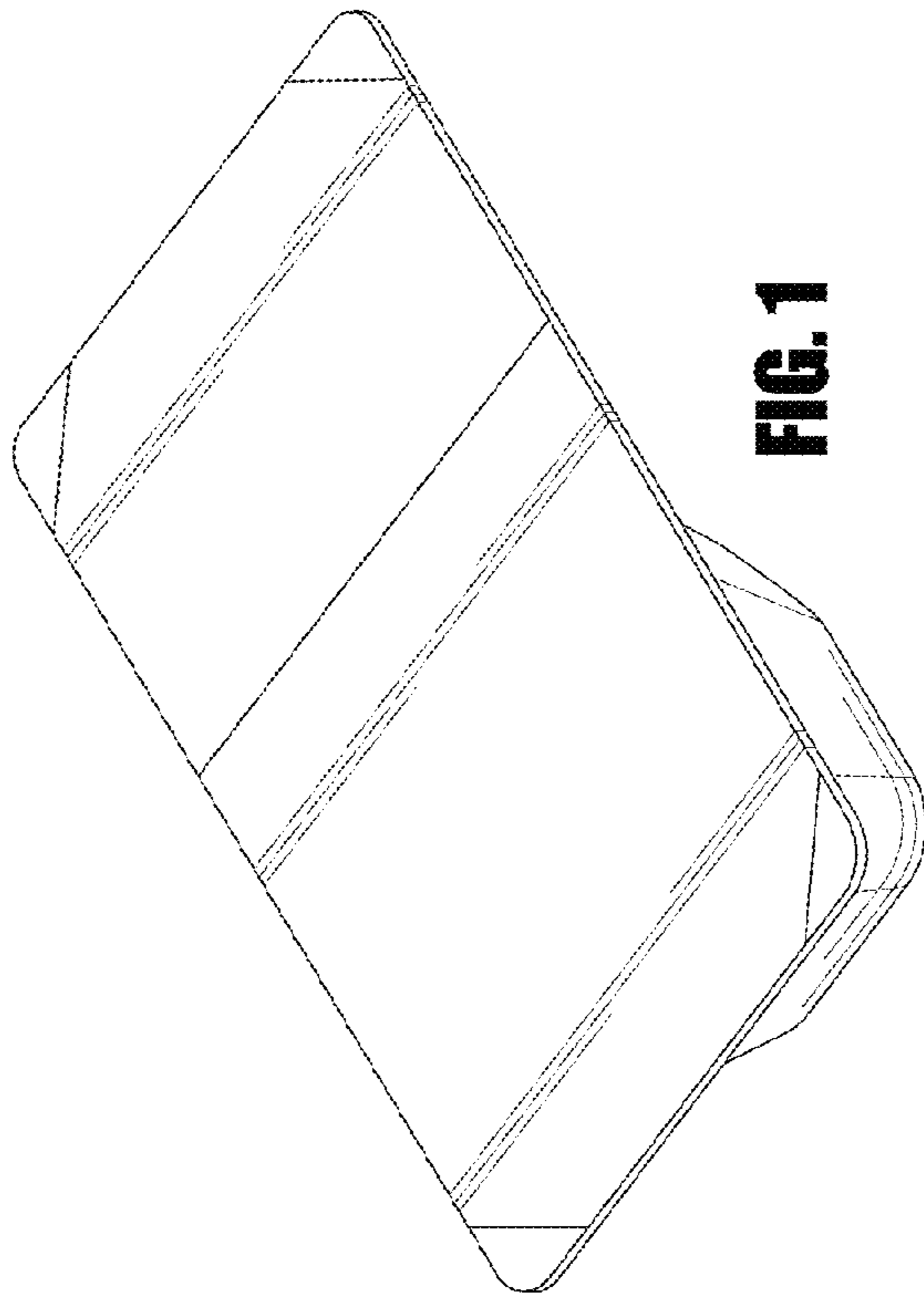


FIG. 2

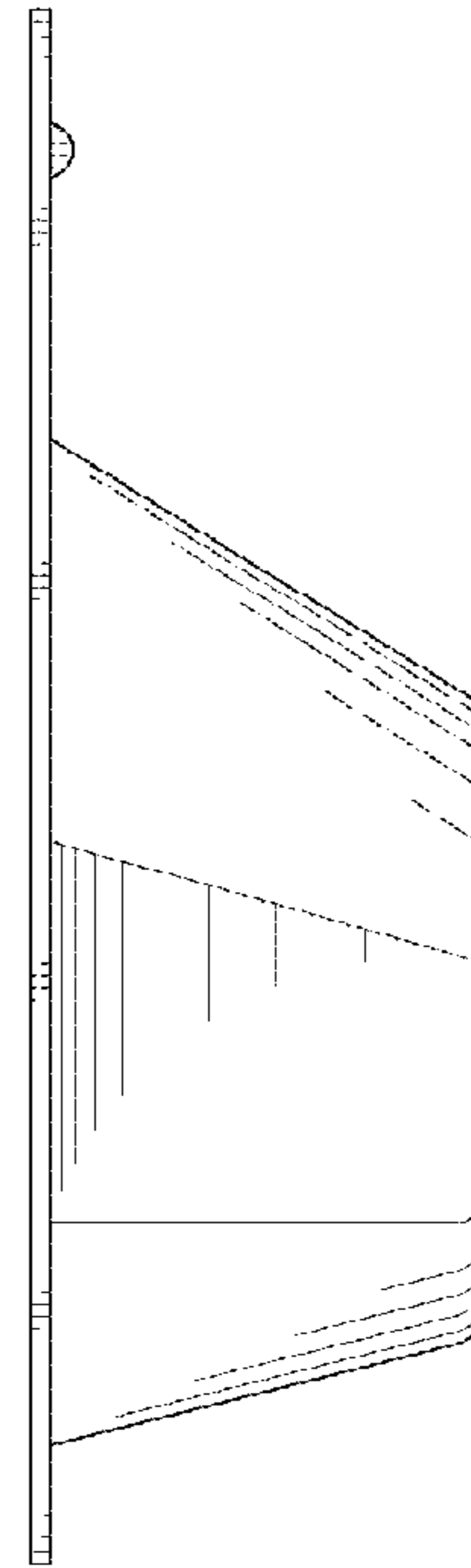


FIG. 3

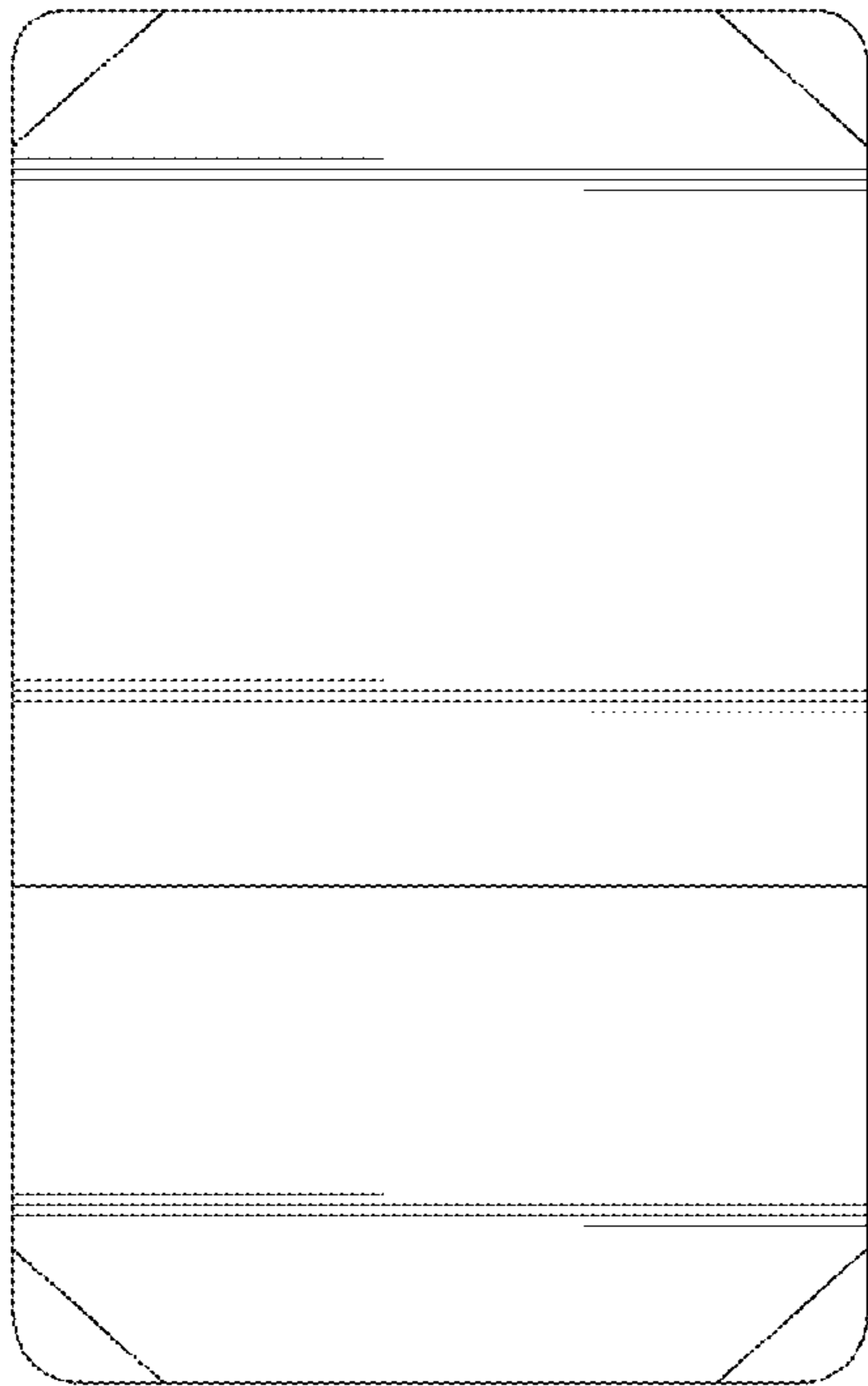


FIG. 4

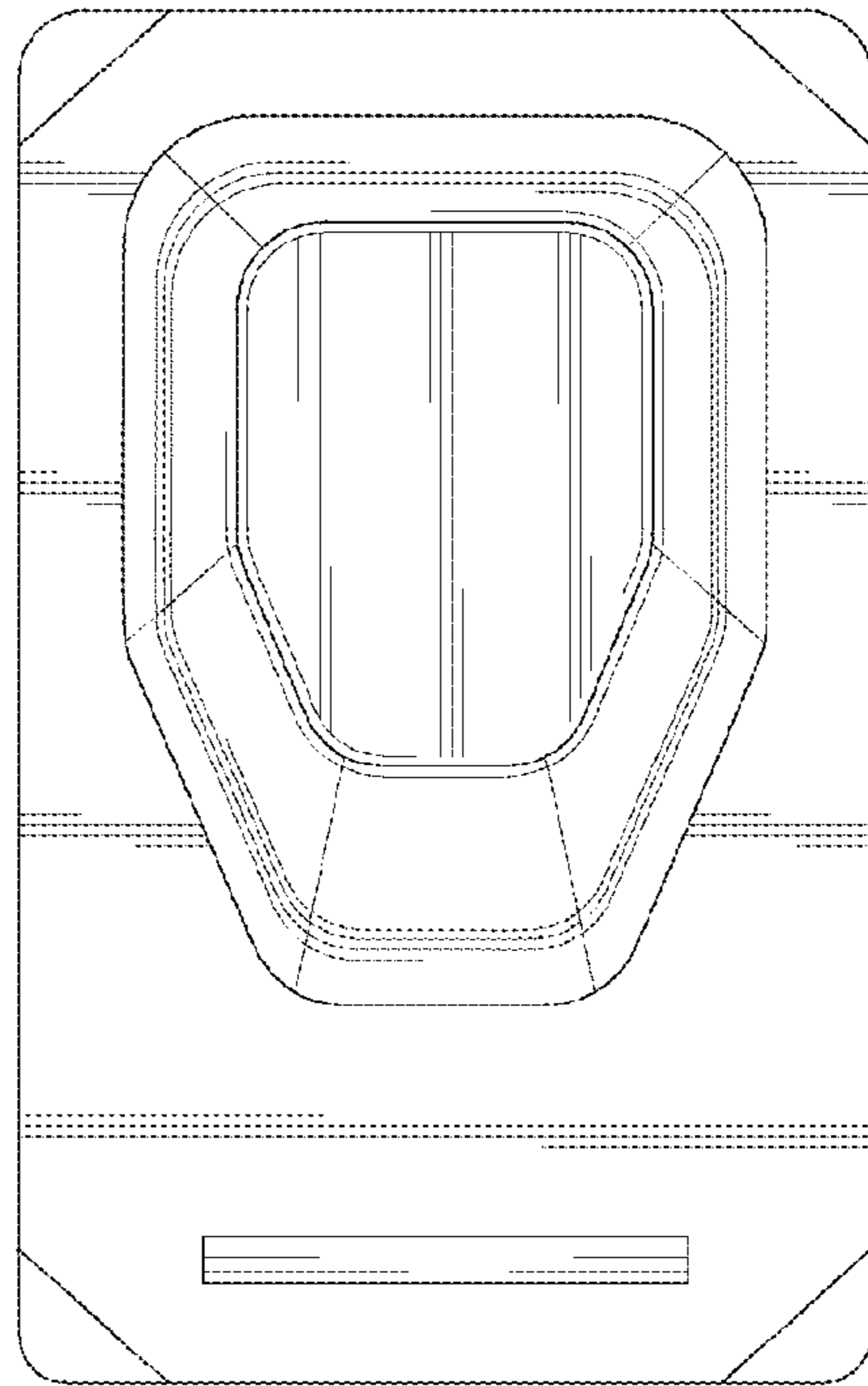


FIG. 5

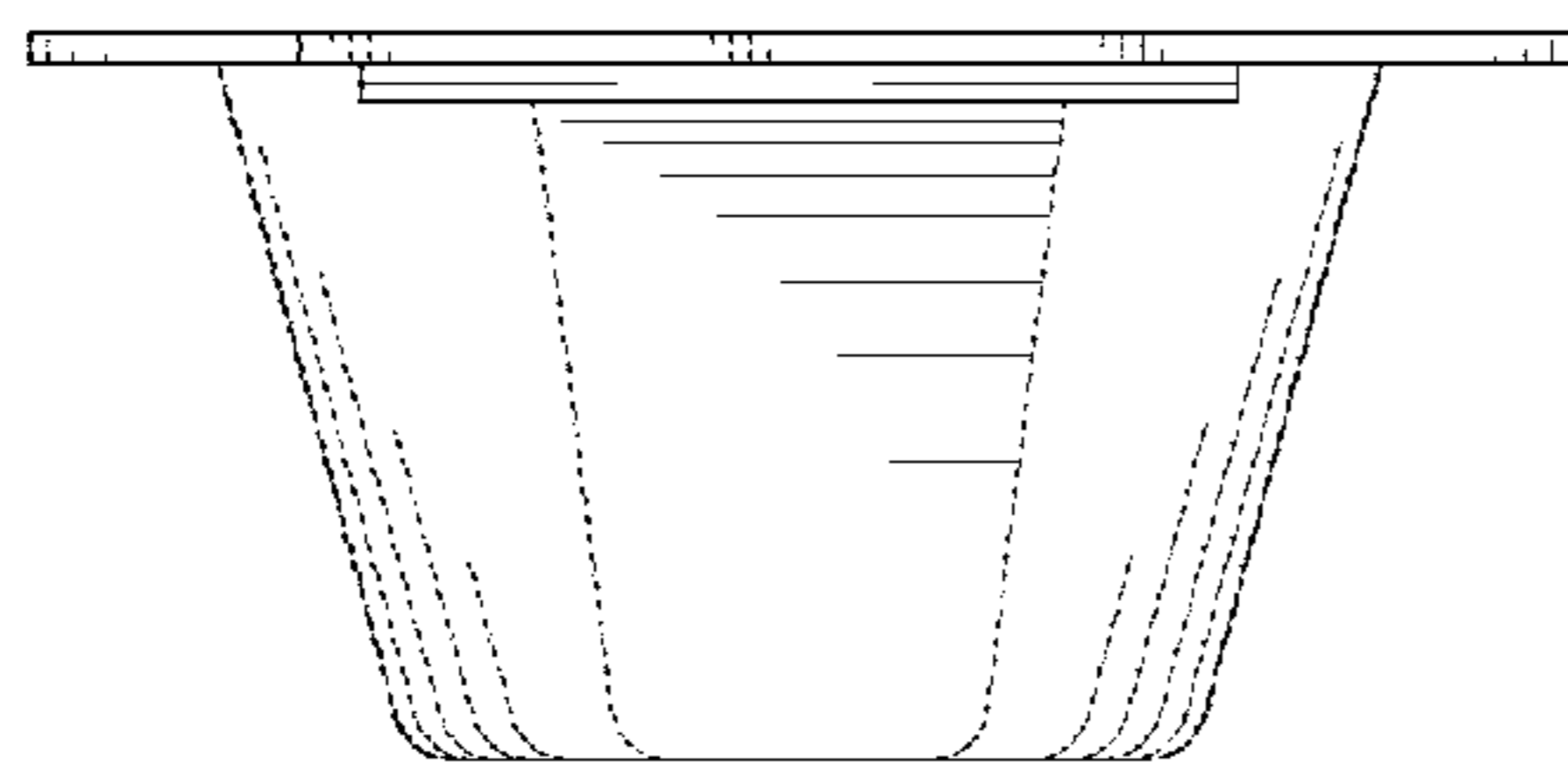


FIG. 6

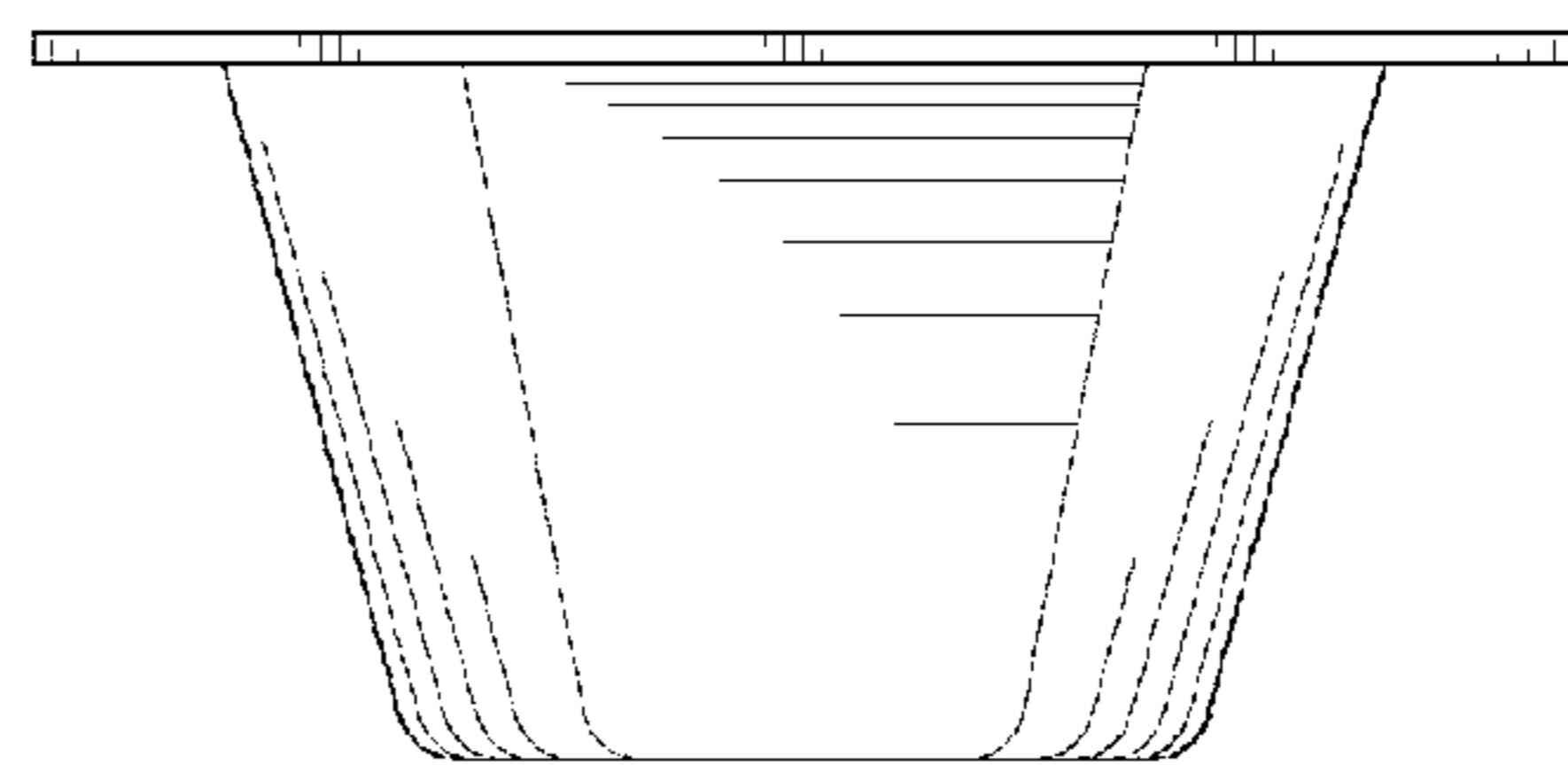


FIG. 7

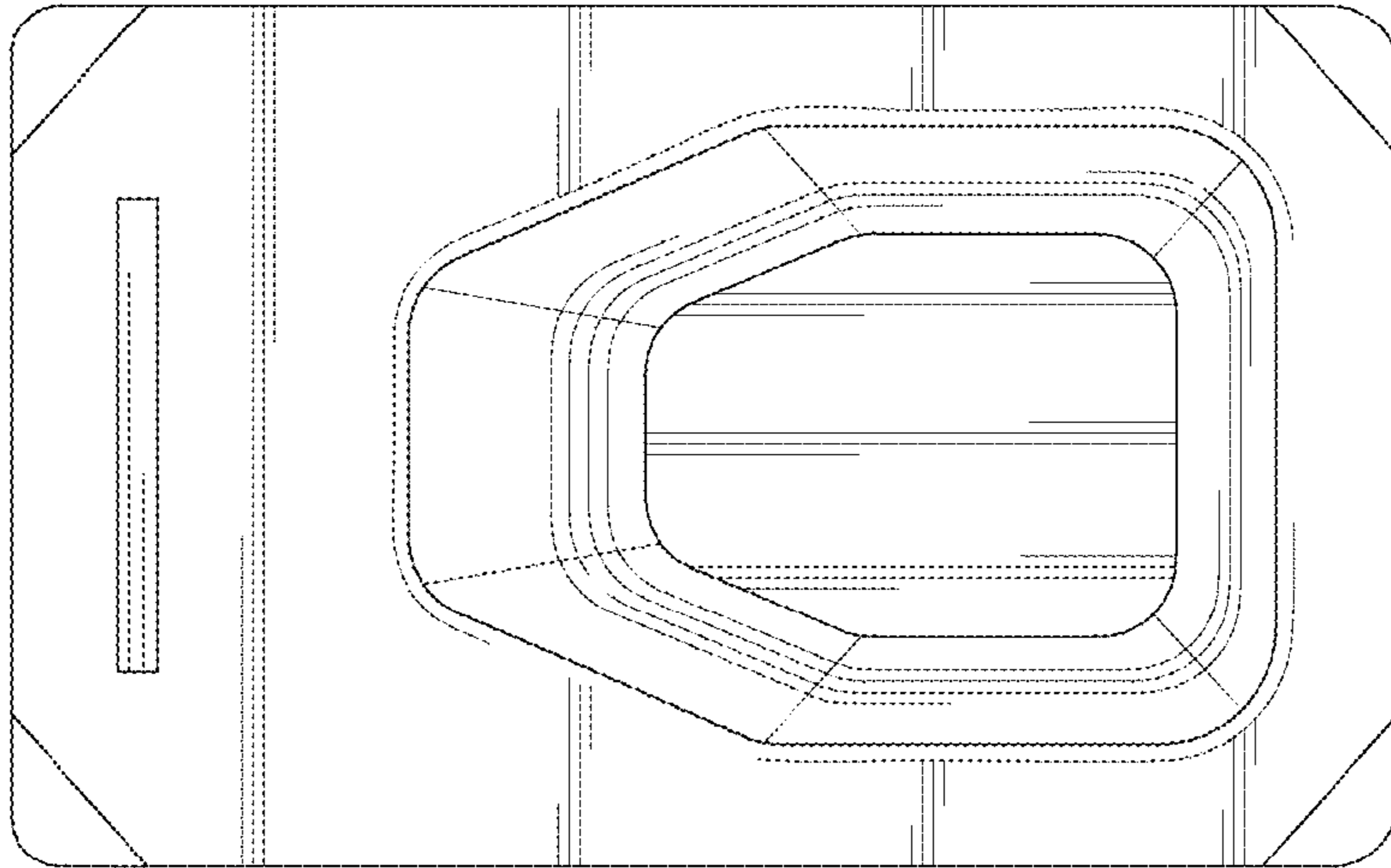


FIG. 9

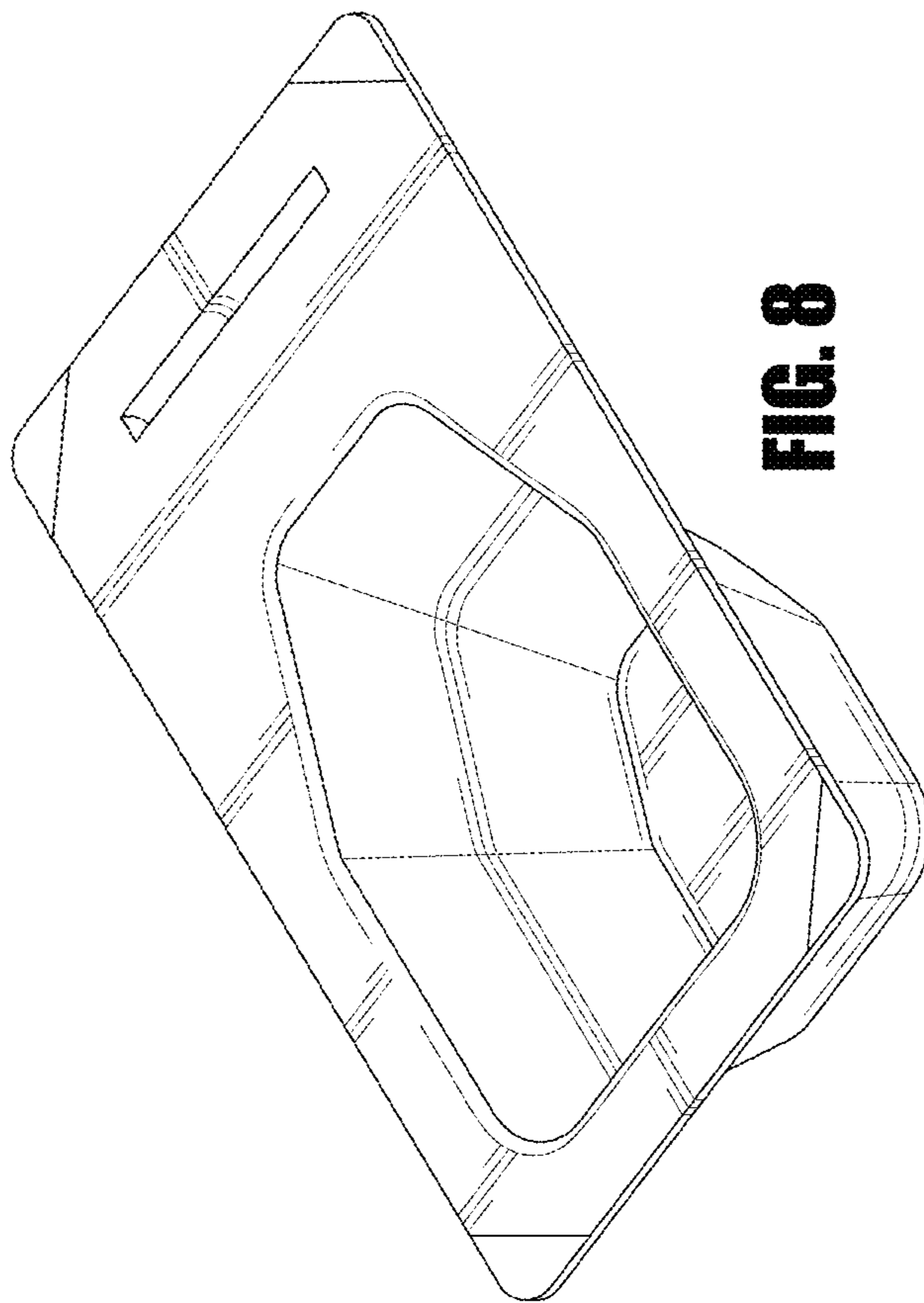


FIG. 8

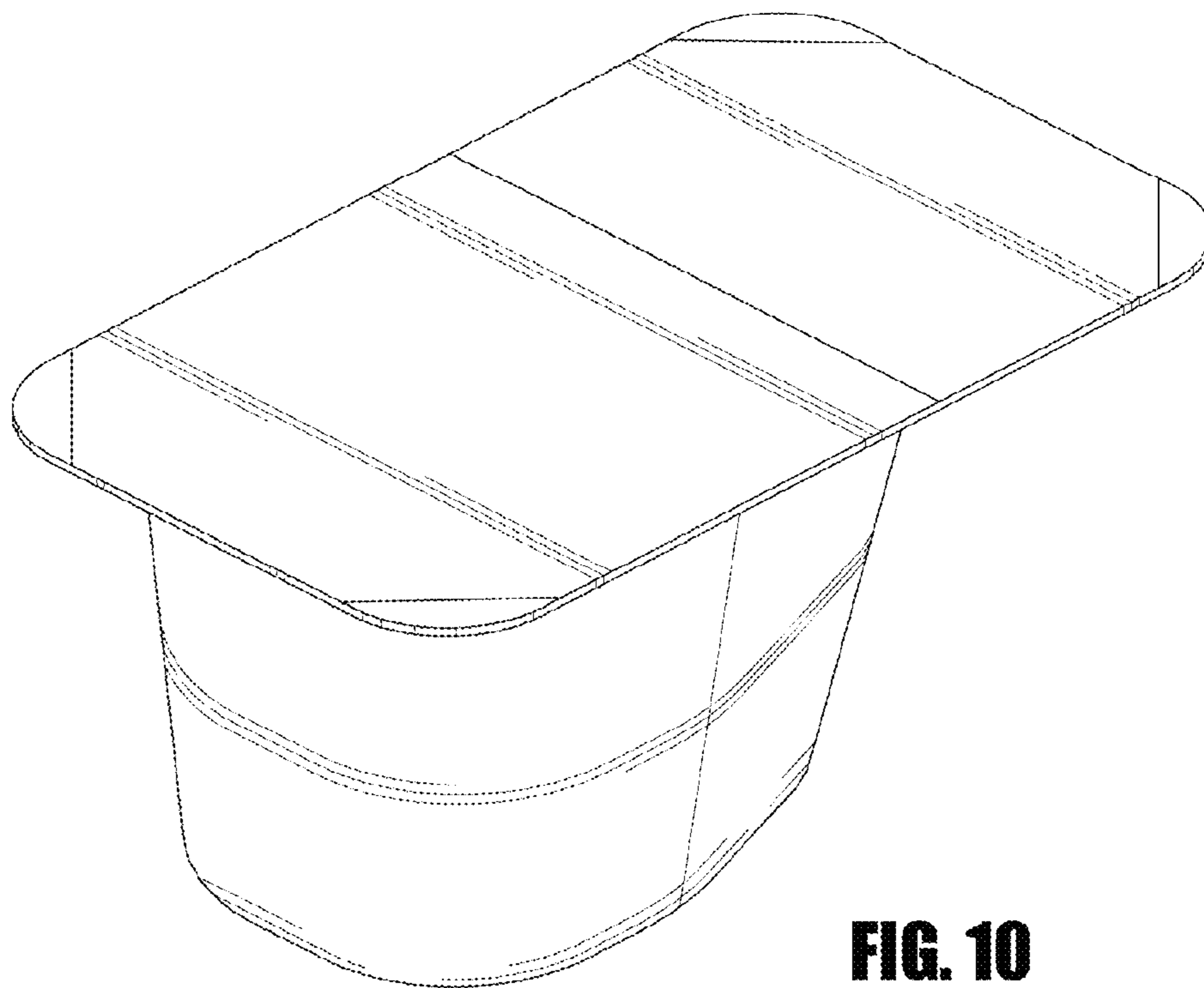


FIG. 10

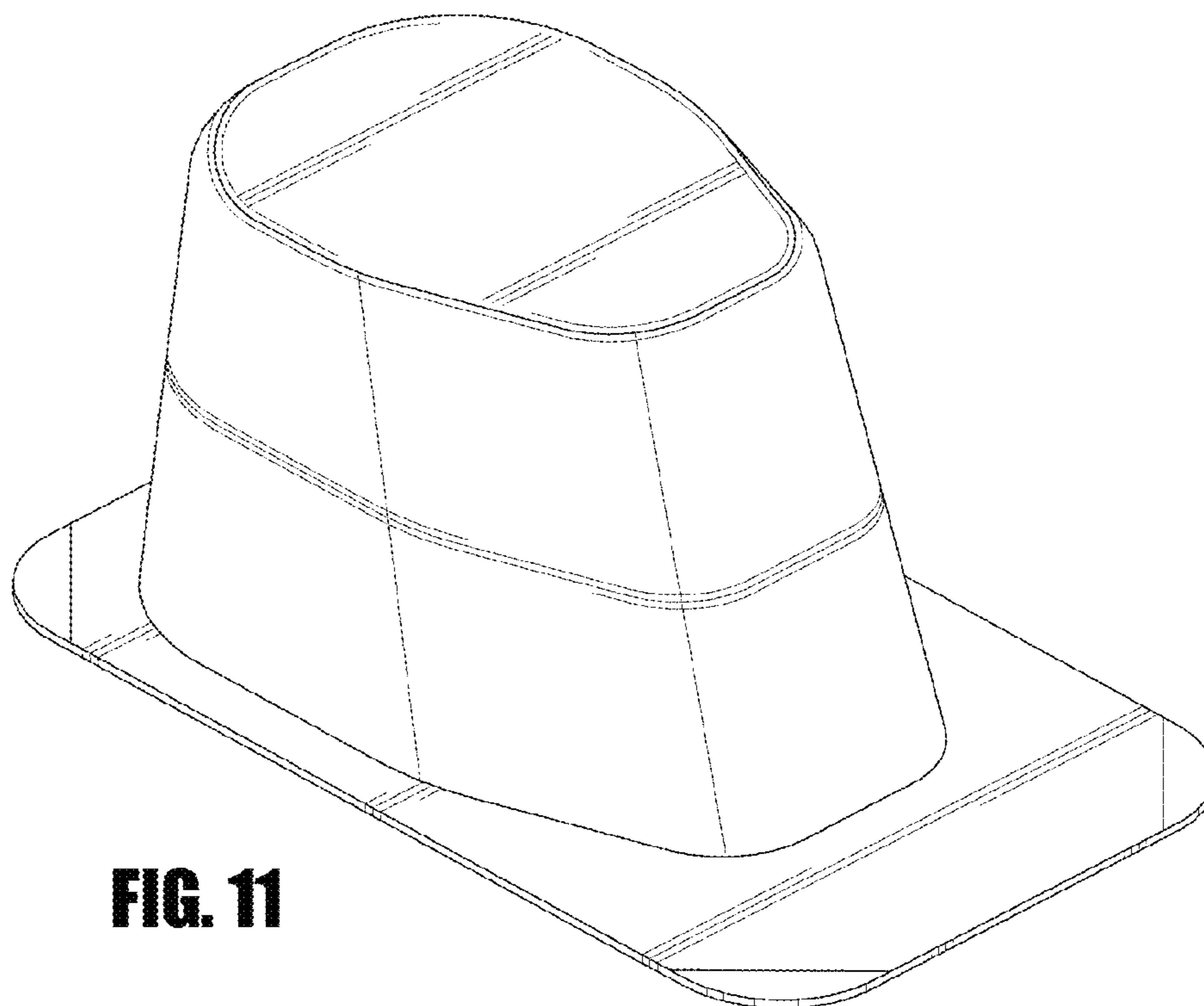


FIG. 11

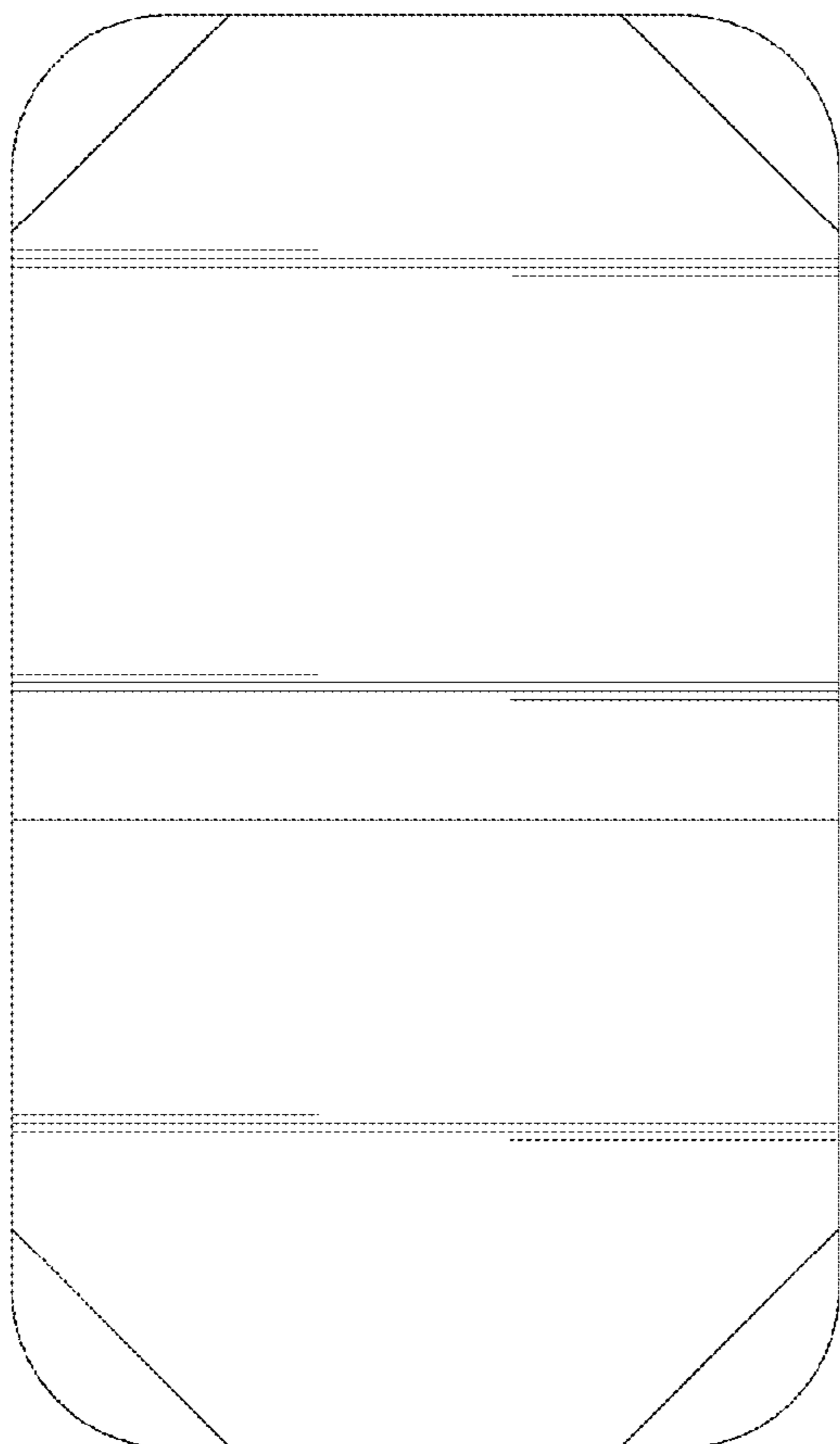


FIG. 12

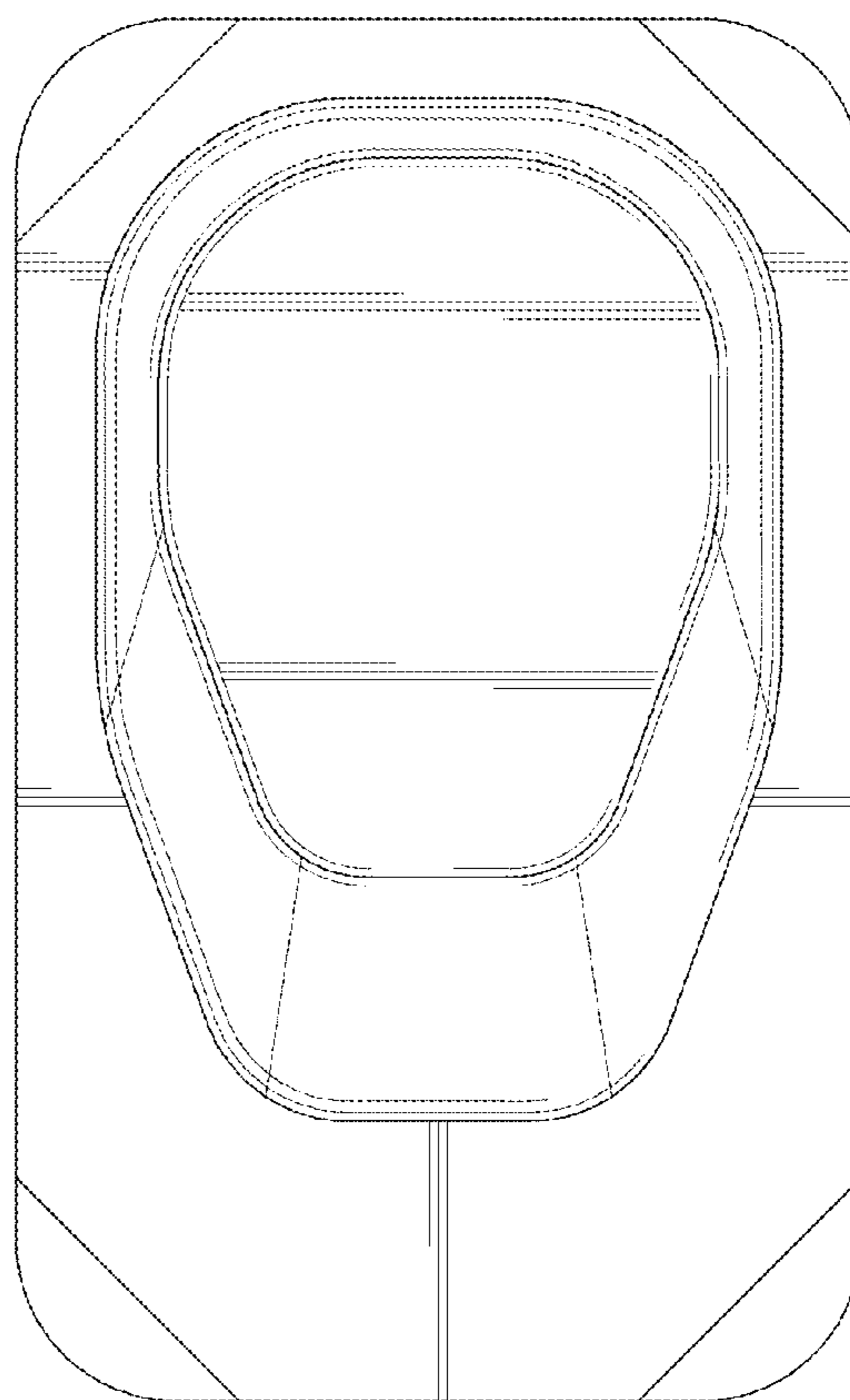


FIG. 13

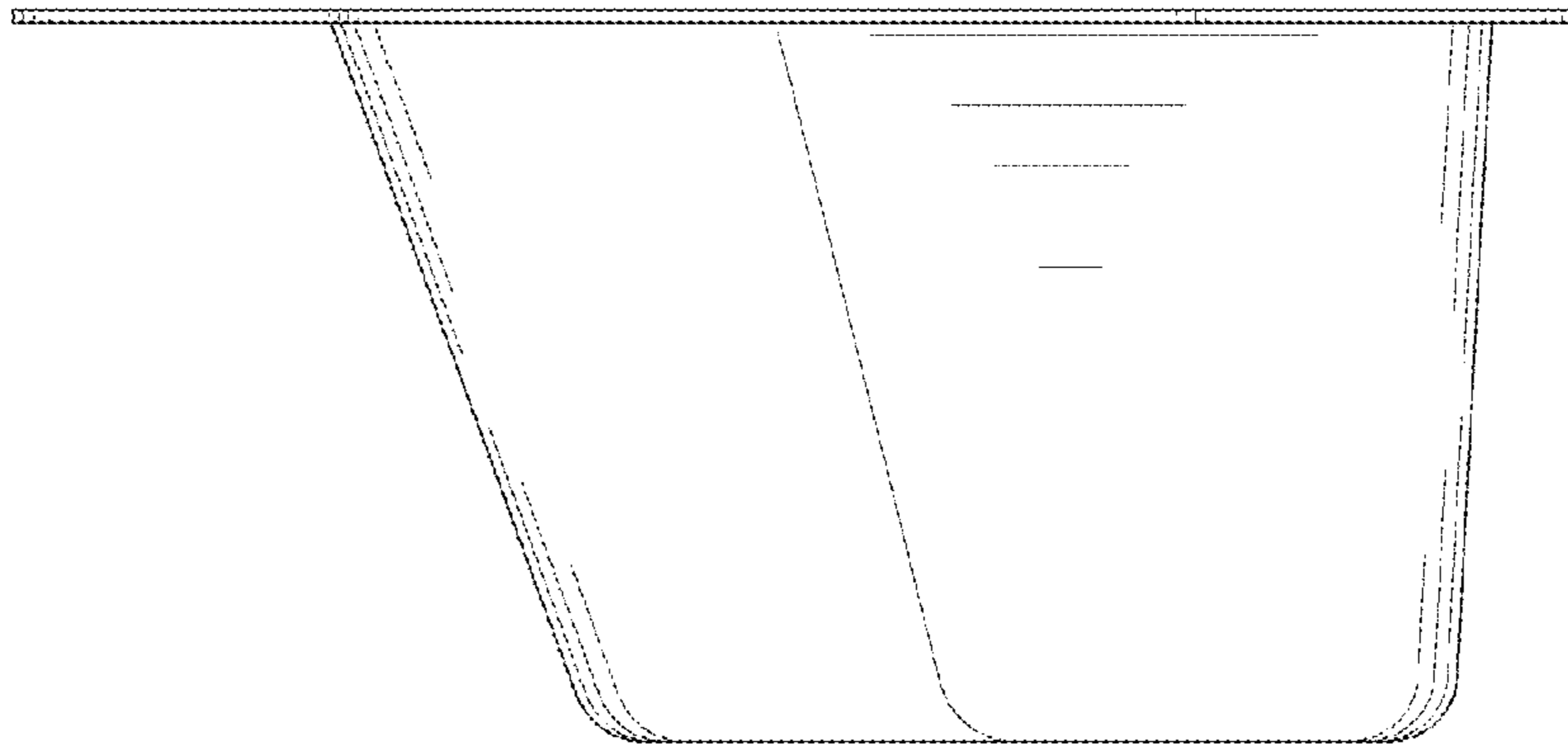


FIG. 14

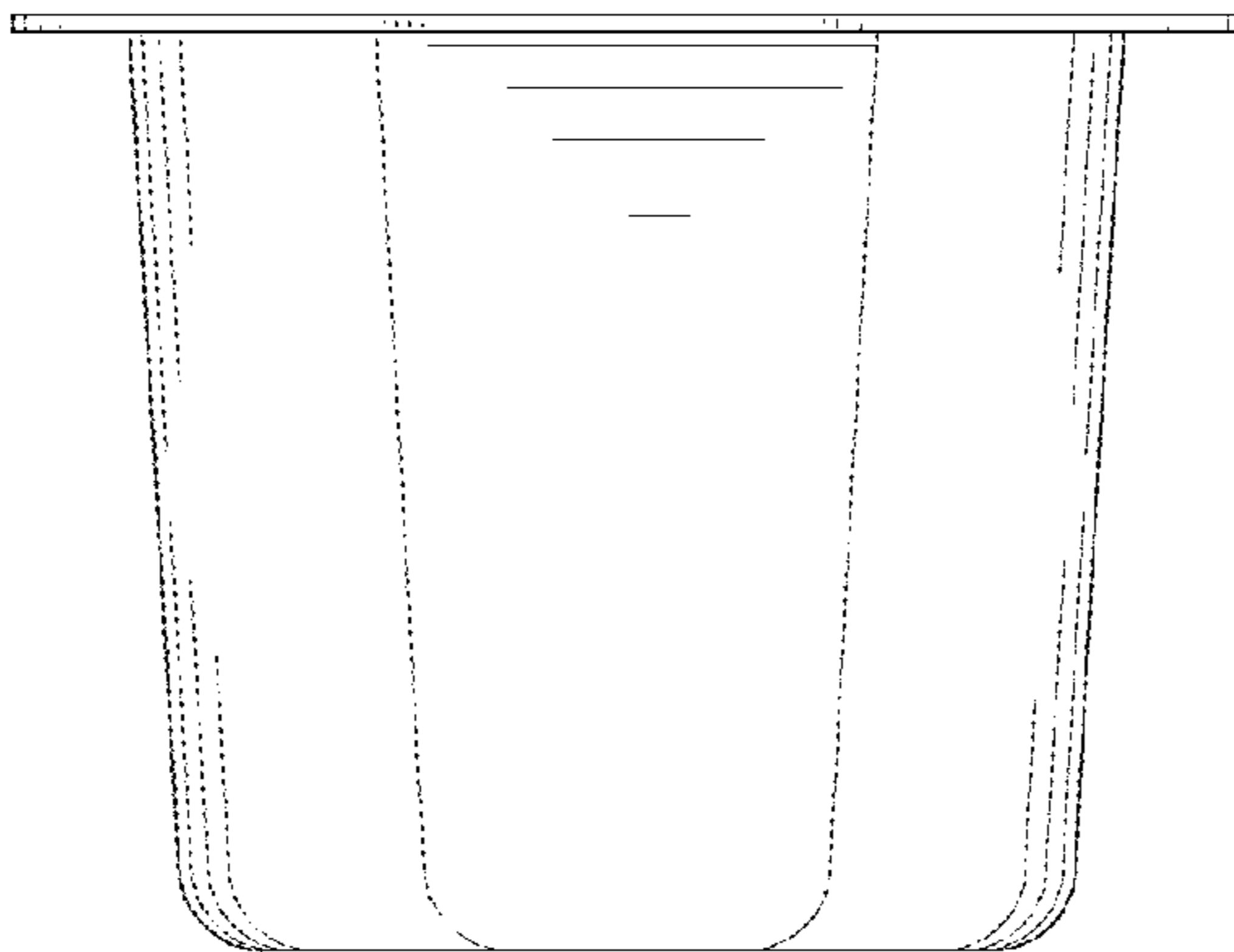


FIG. 15

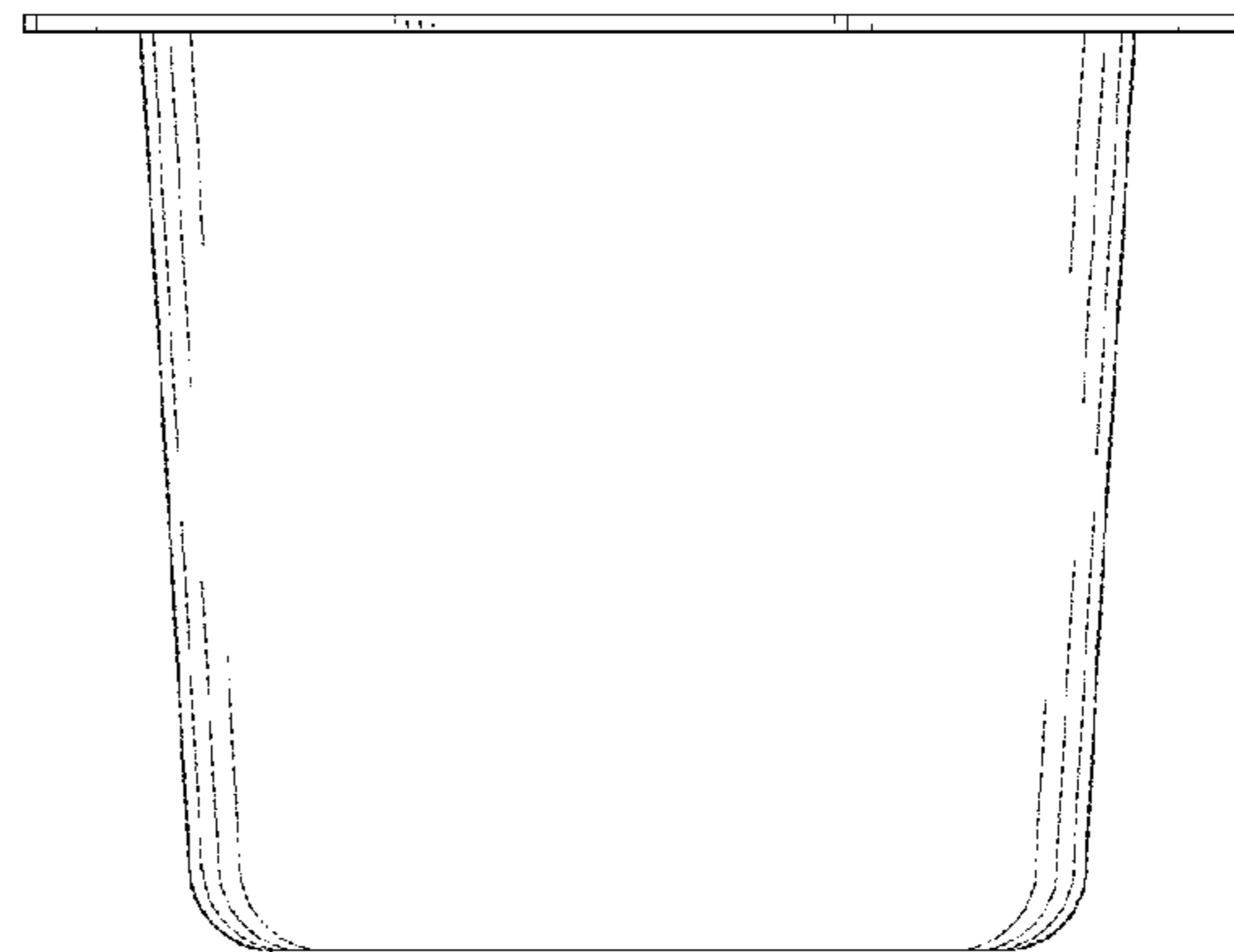


FIG. 16

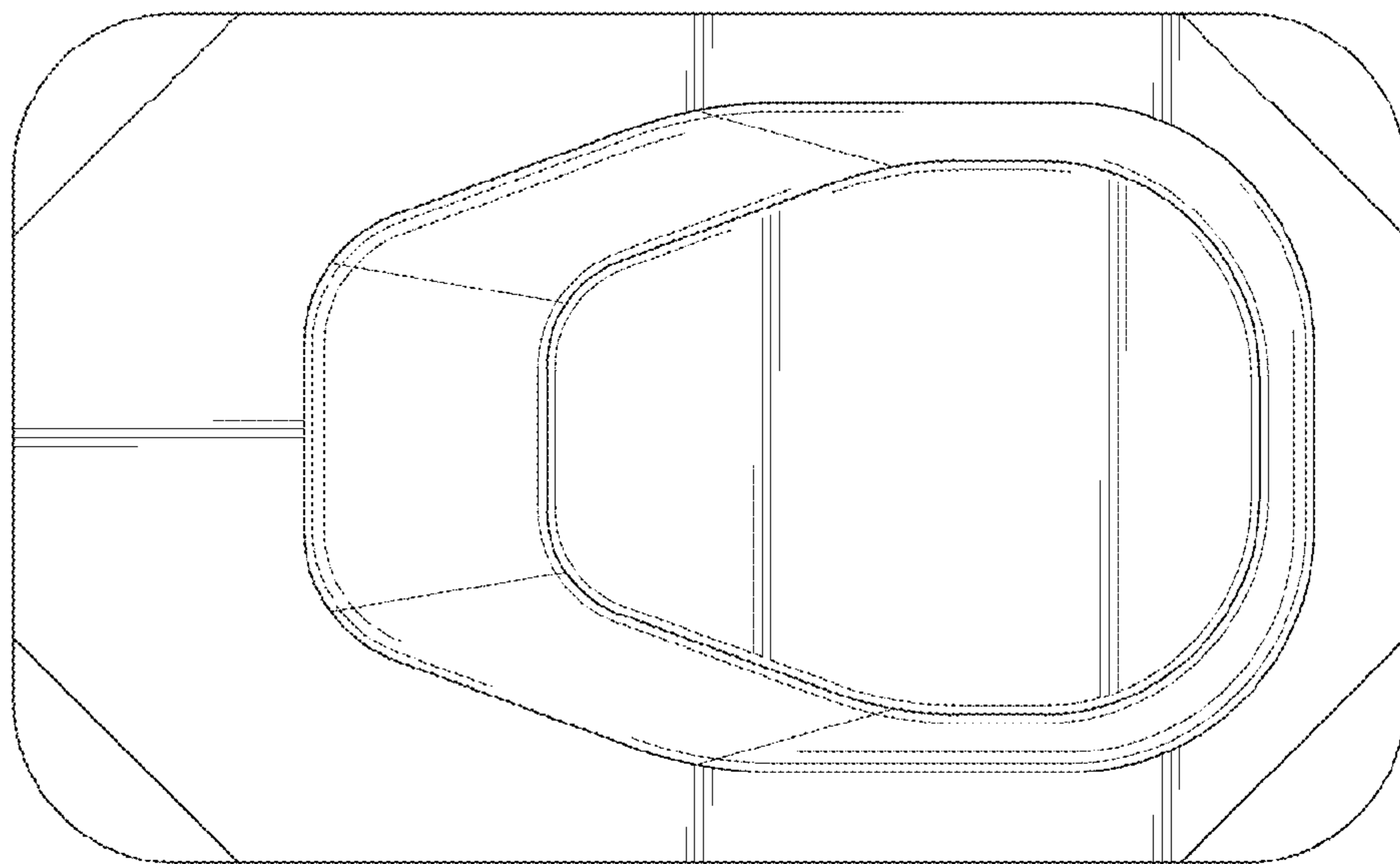


FIG. 18

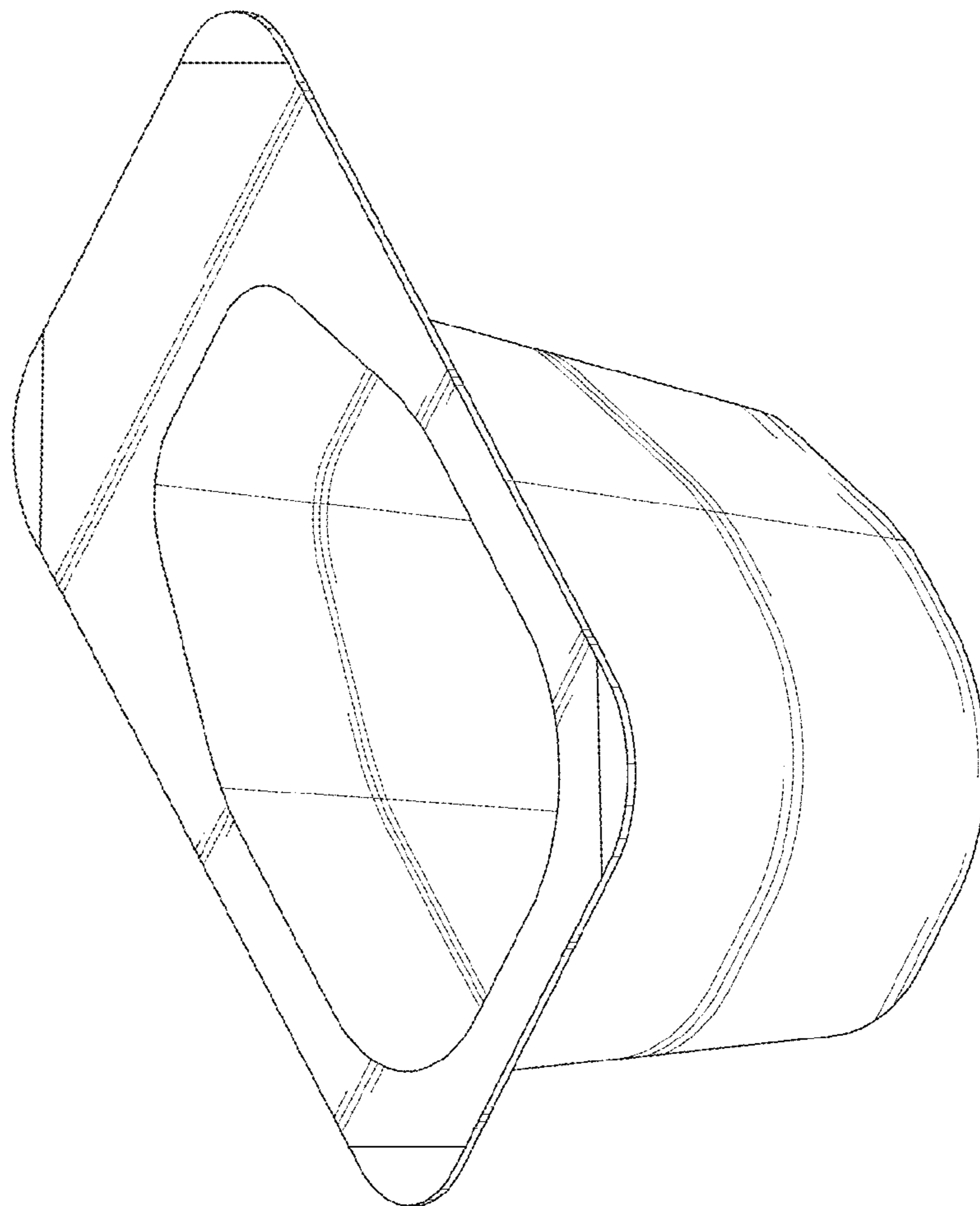


FIG. 17

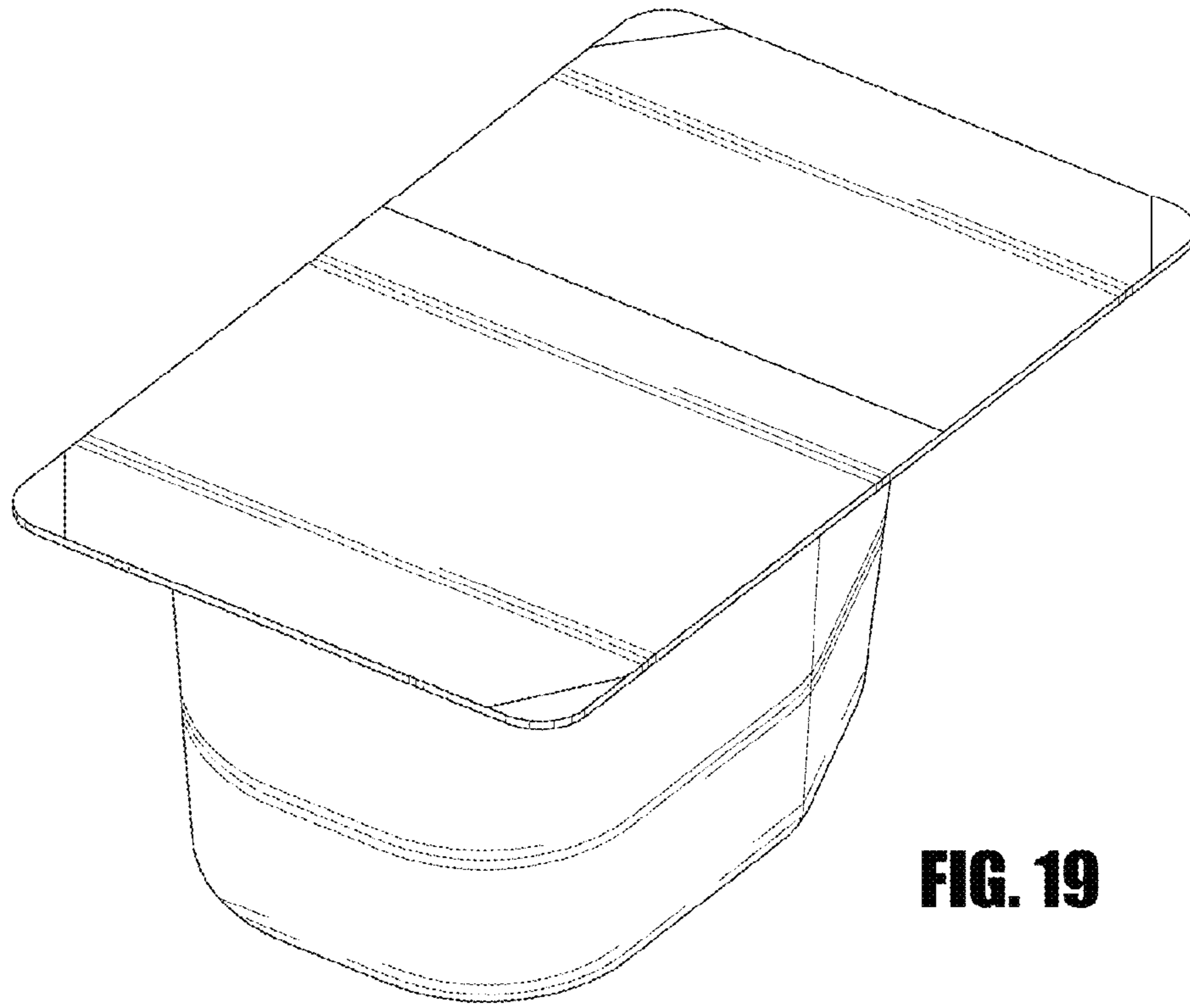


FIG. 19

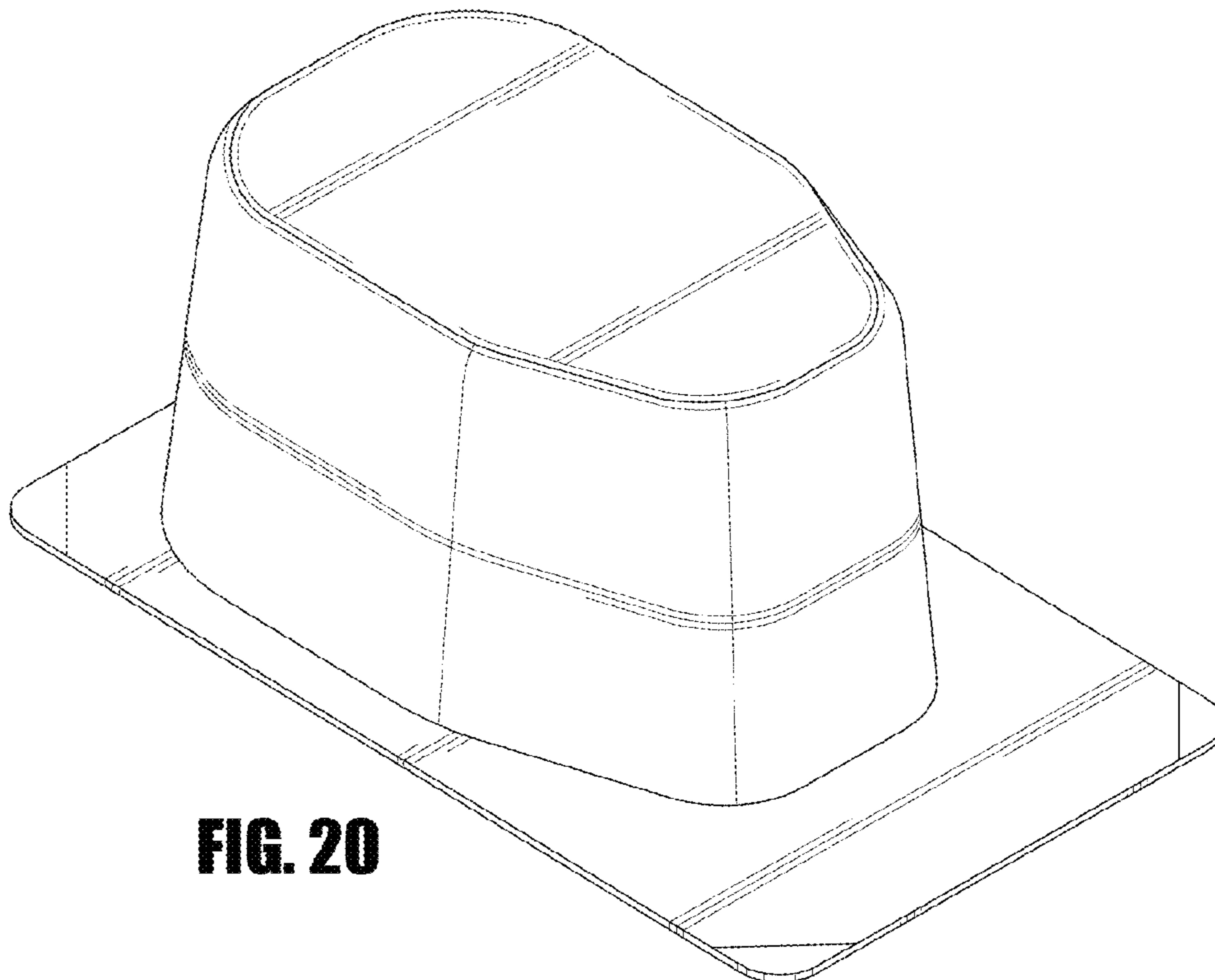


FIG. 20

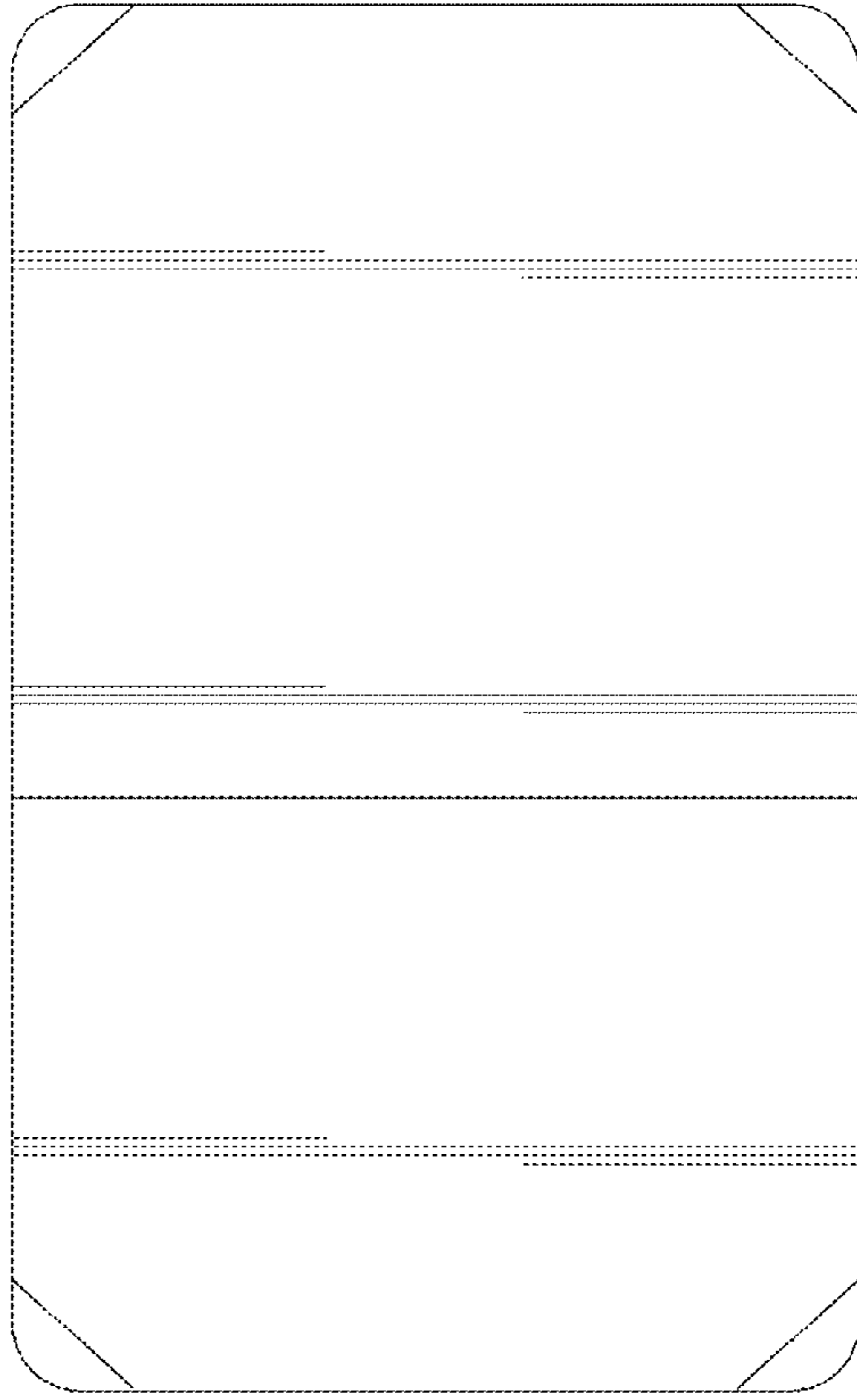


FIG. 21

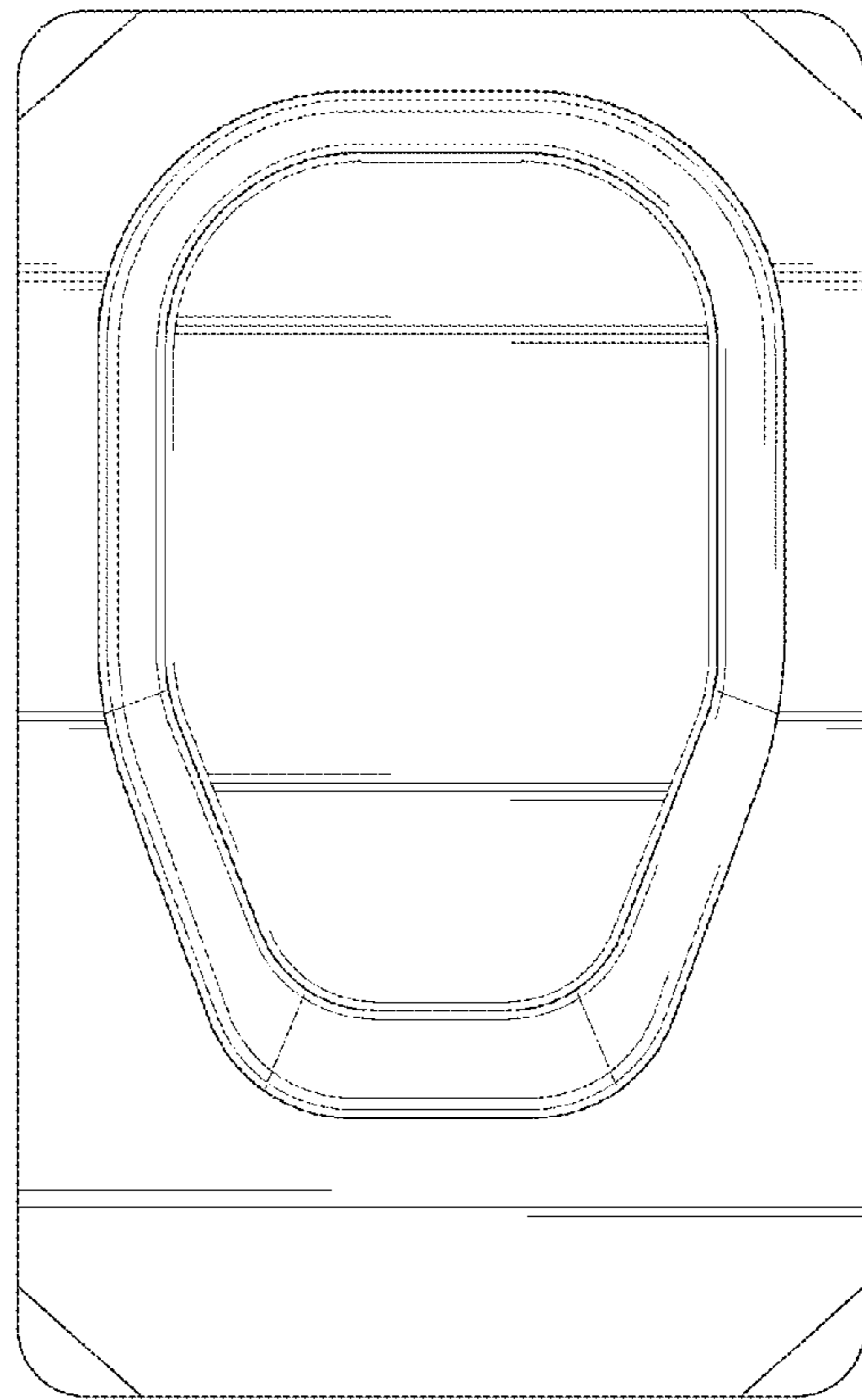


FIG. 22

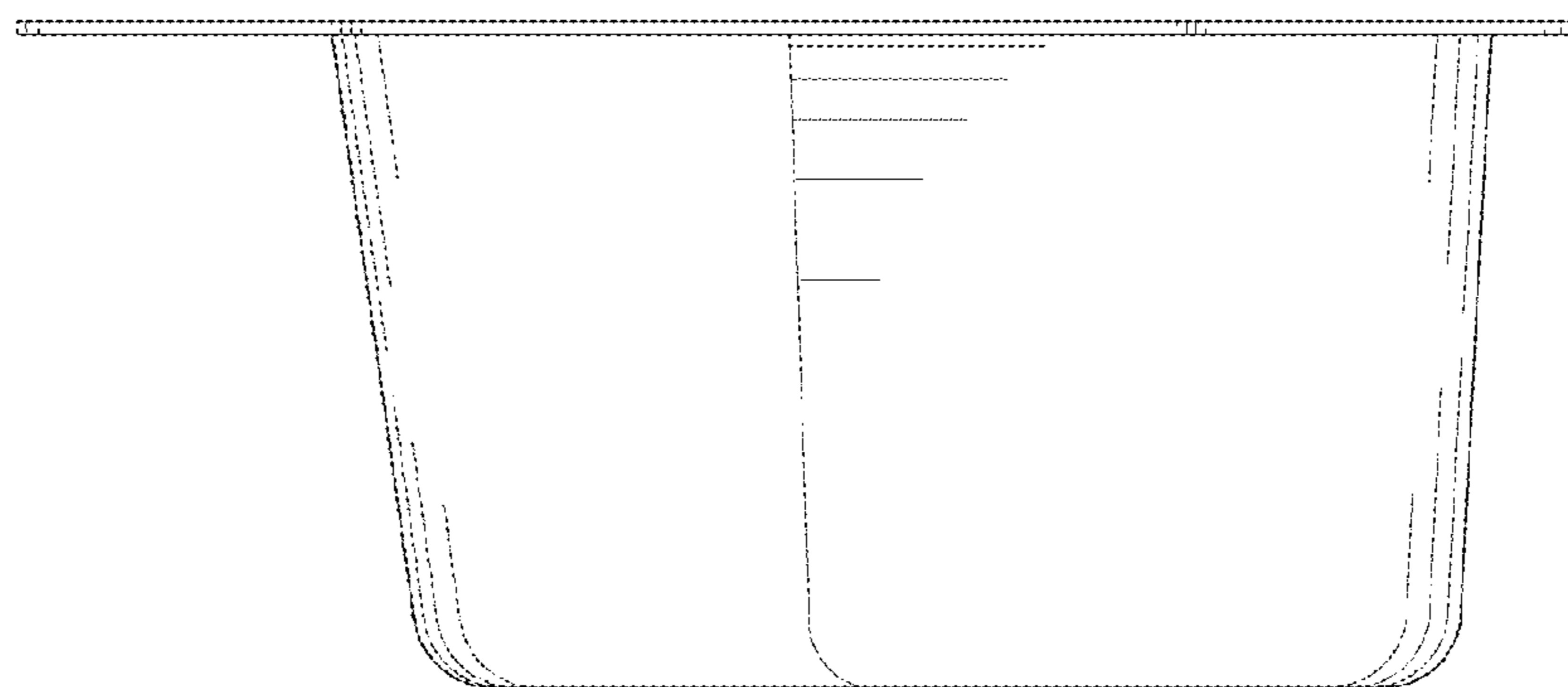


FIG. 23

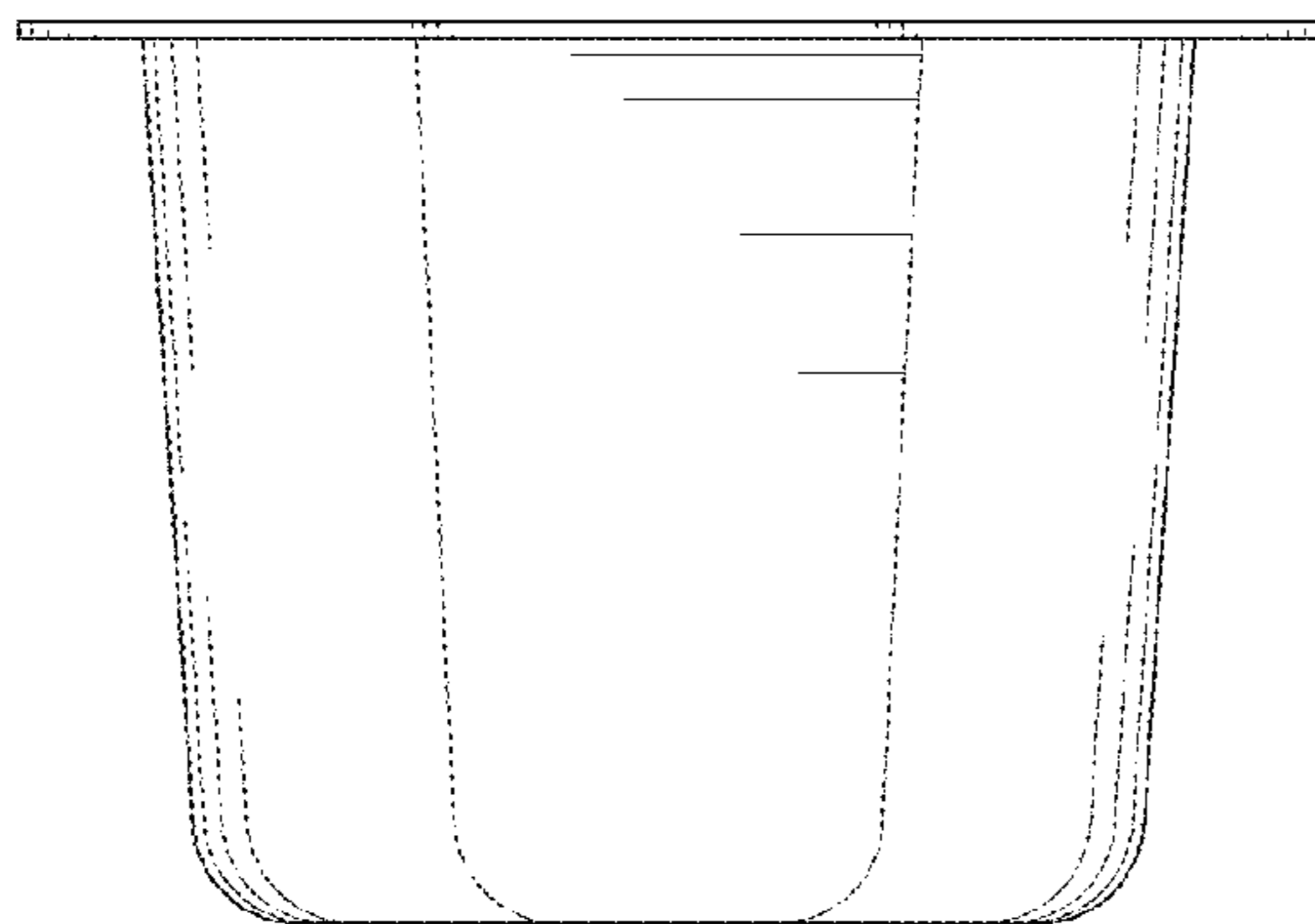


FIG. 24

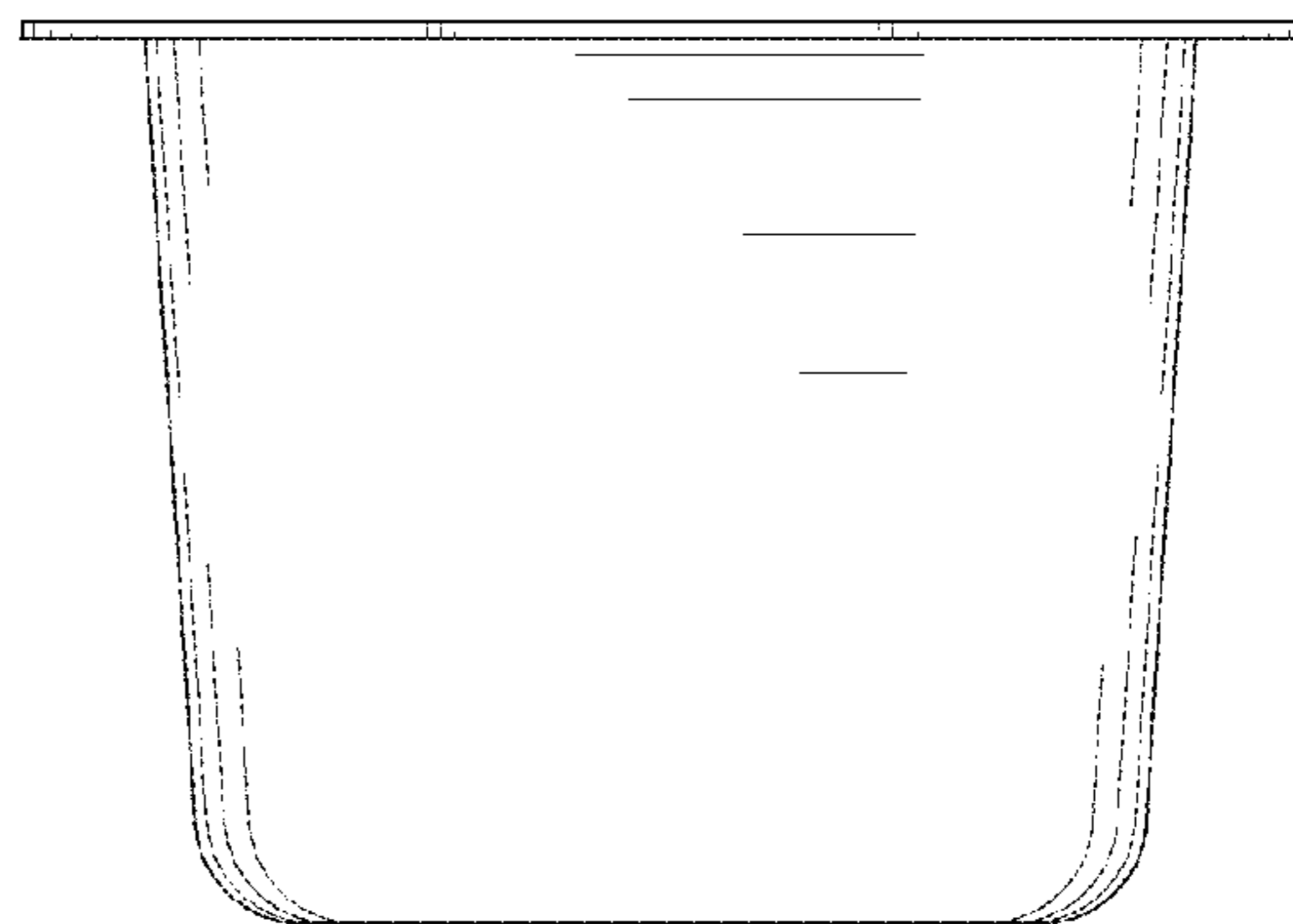


FIG. 25

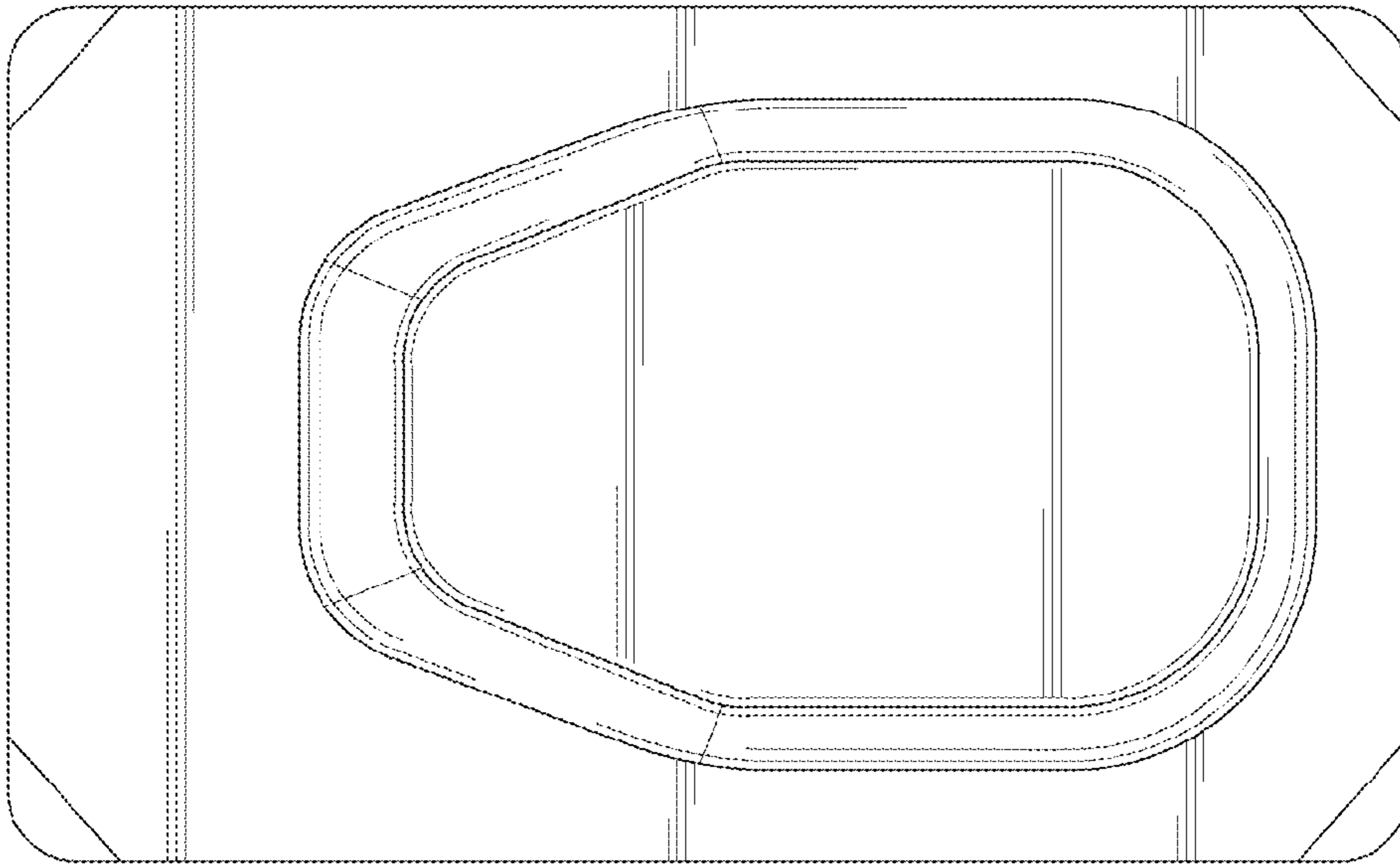


FIG. 27

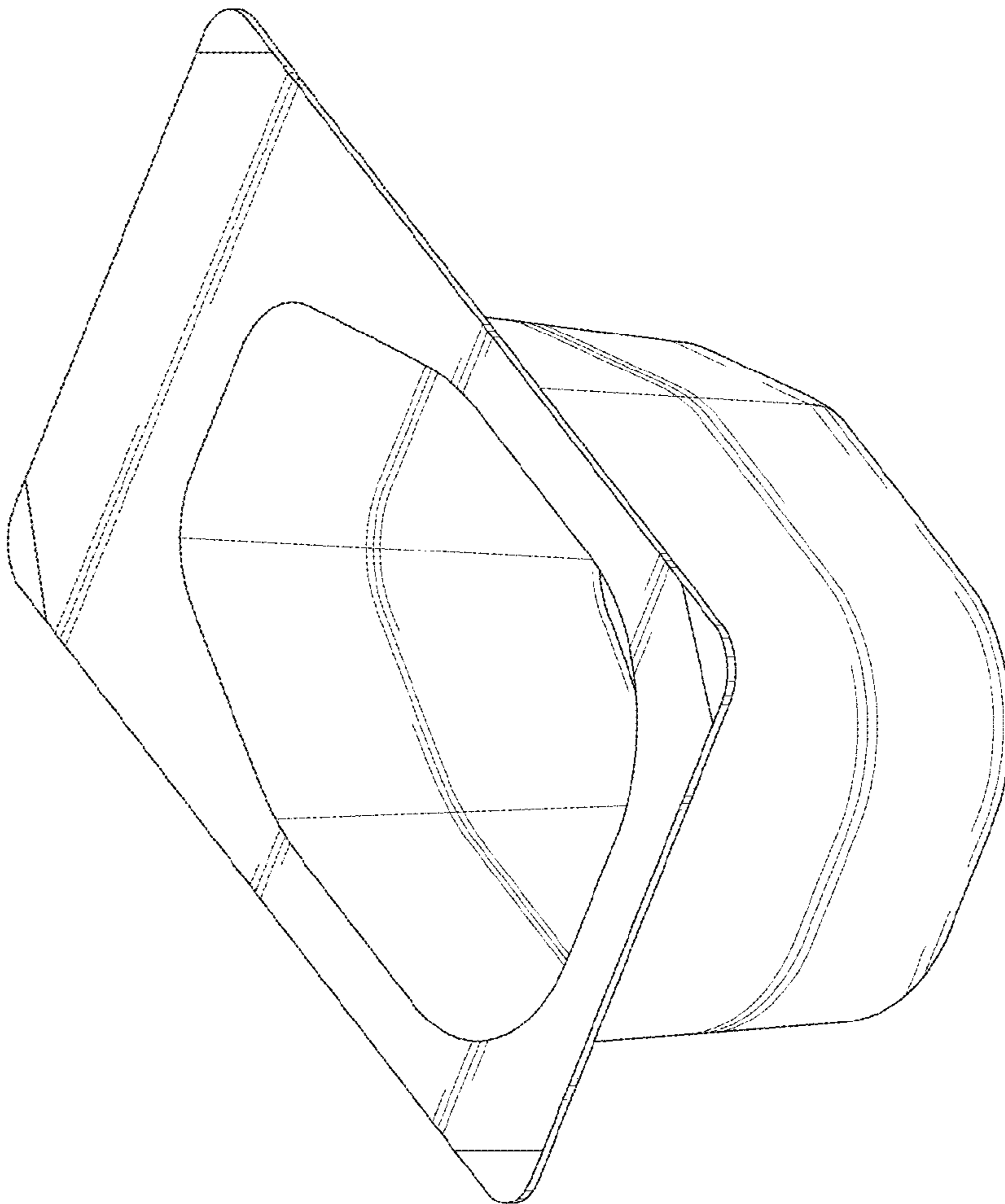


FIG. 26

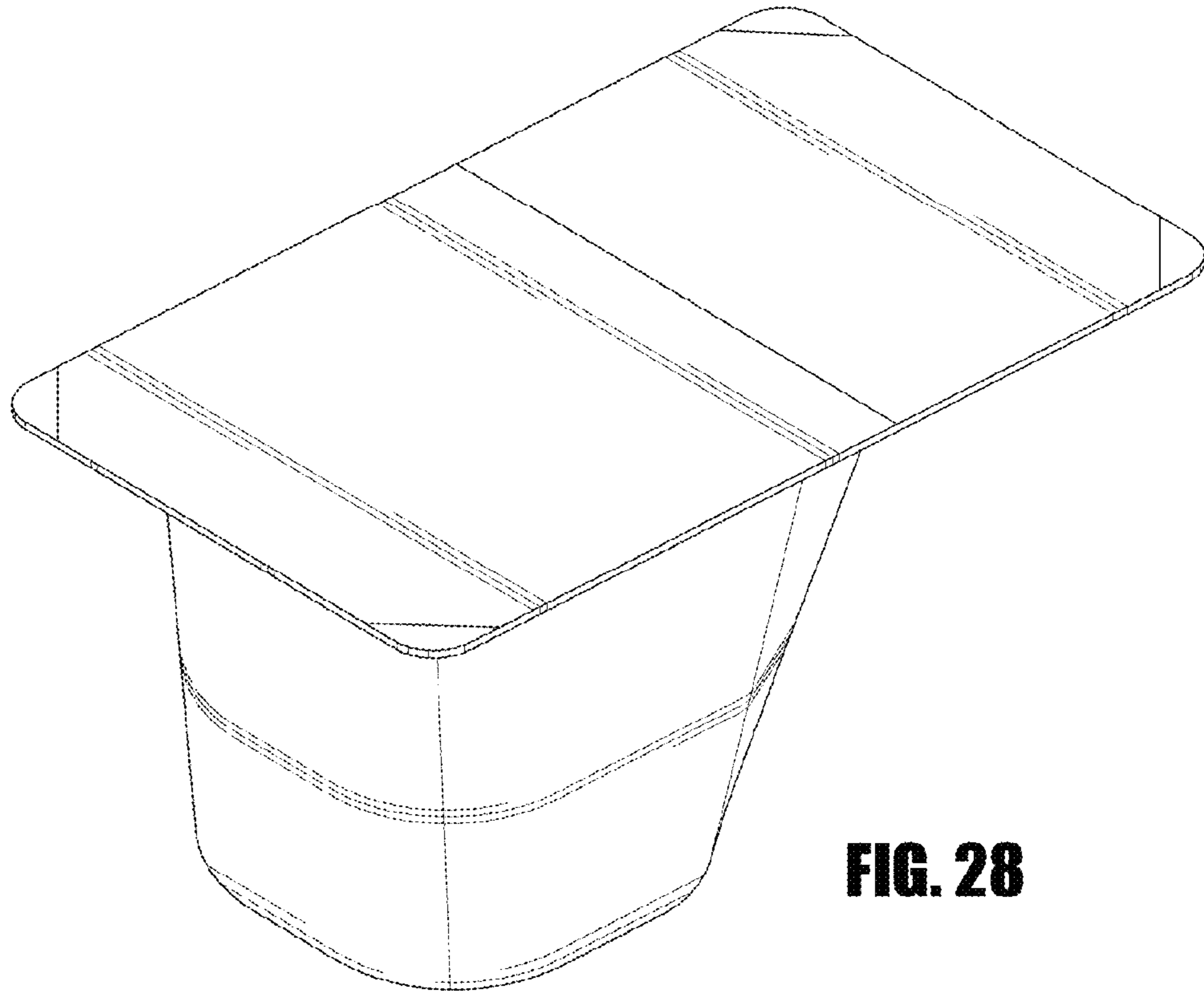


FIG. 28

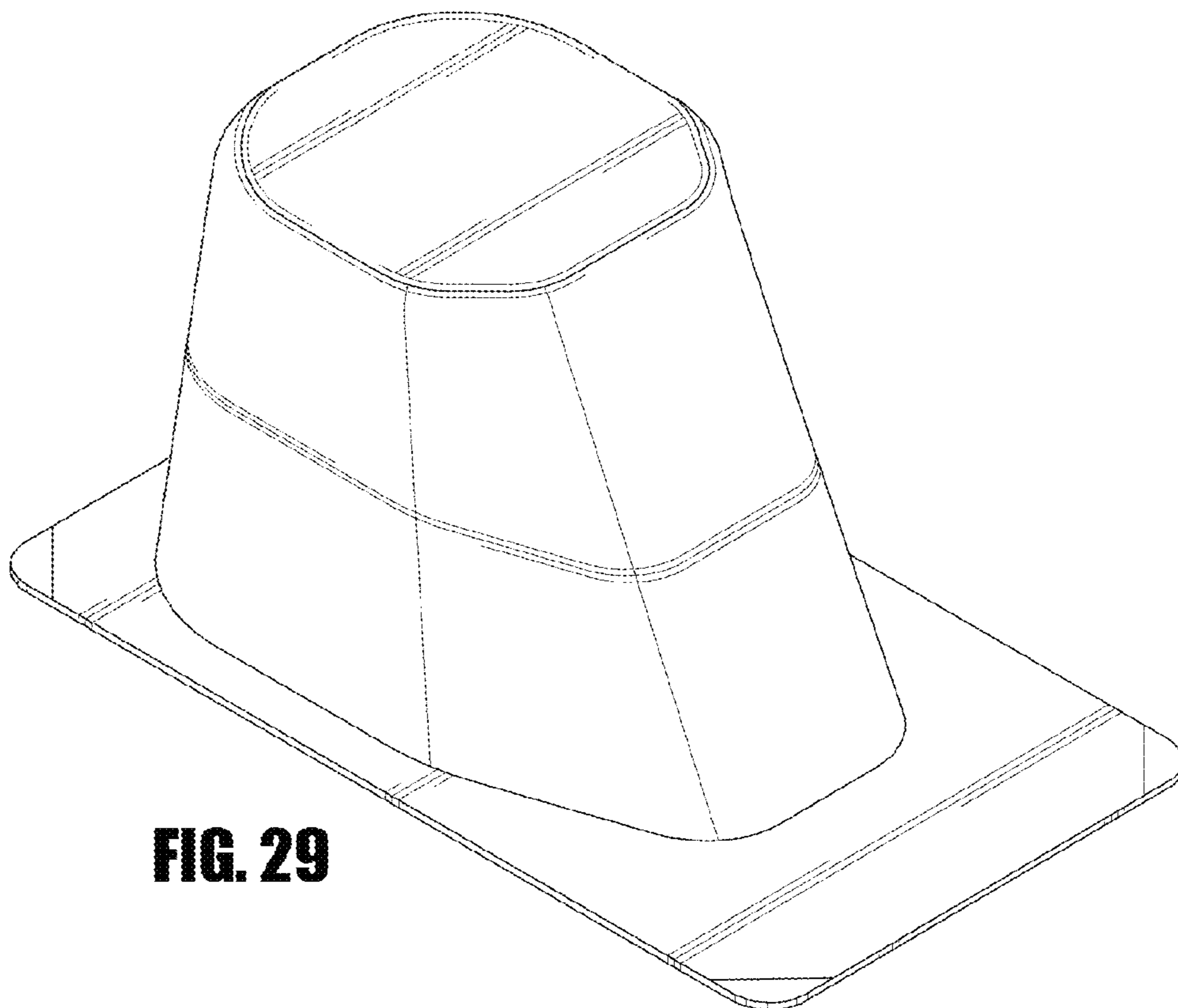


FIG. 29

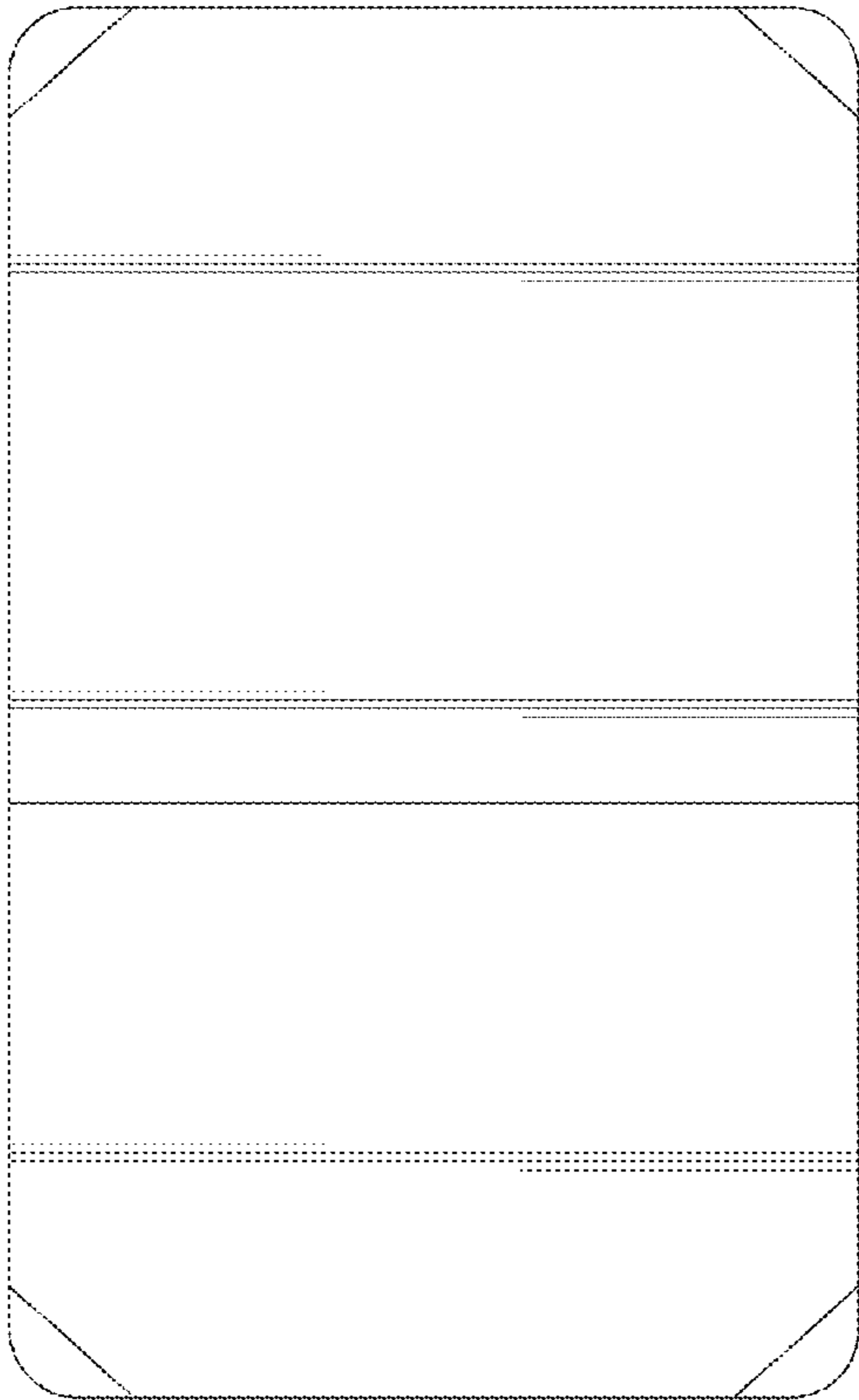


FIG. 30

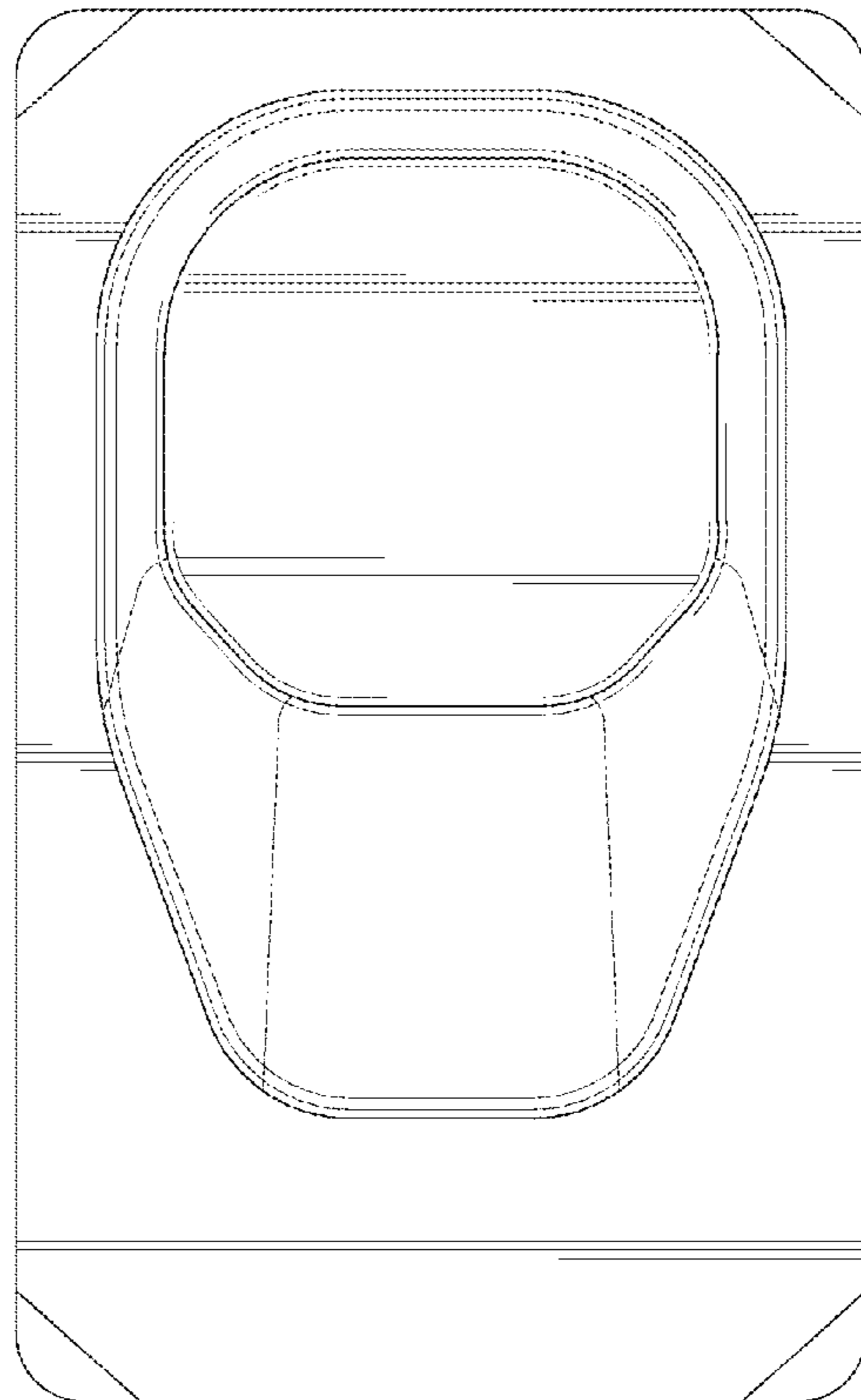


FIG. 31

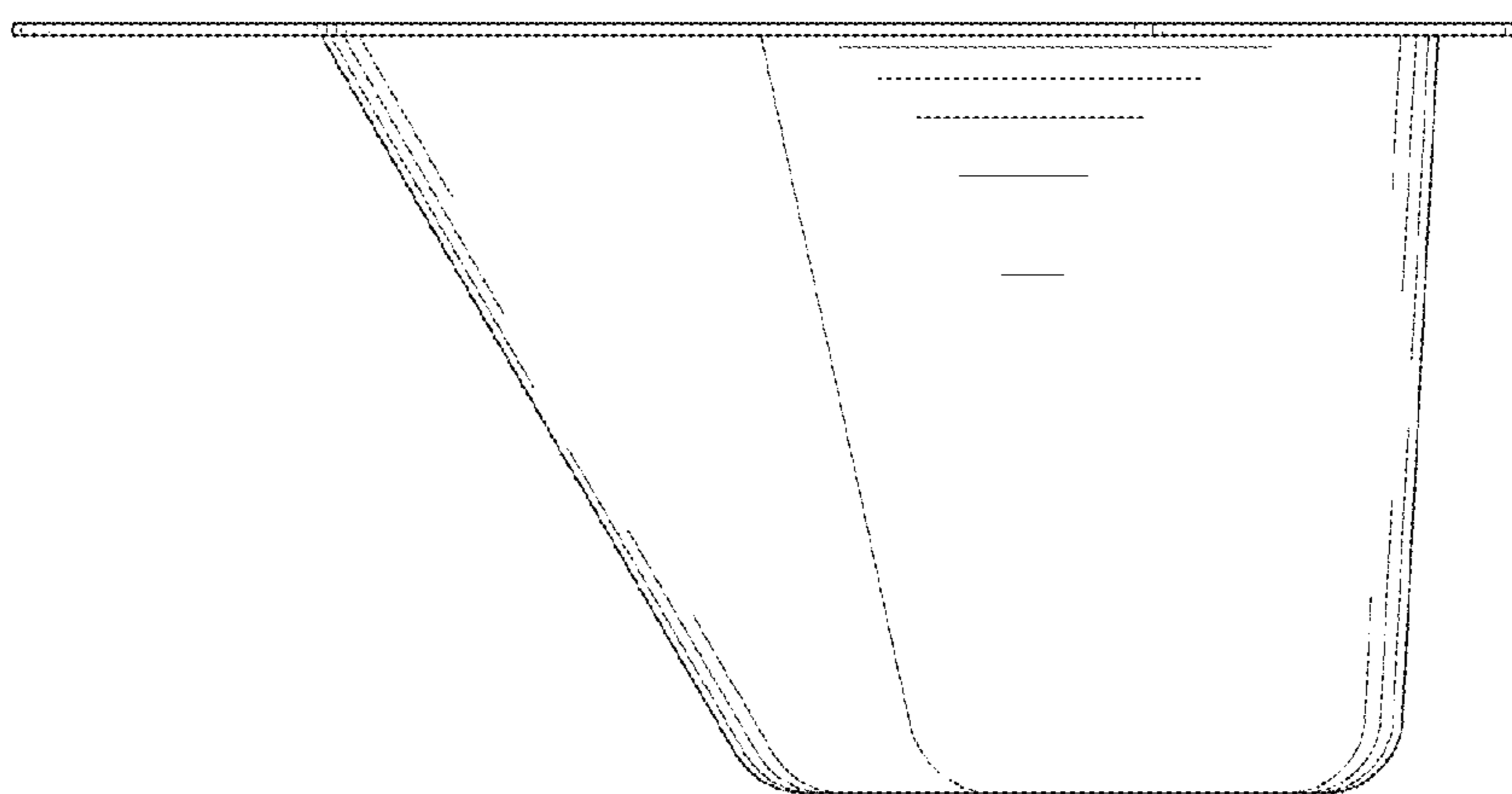


FIG. 32

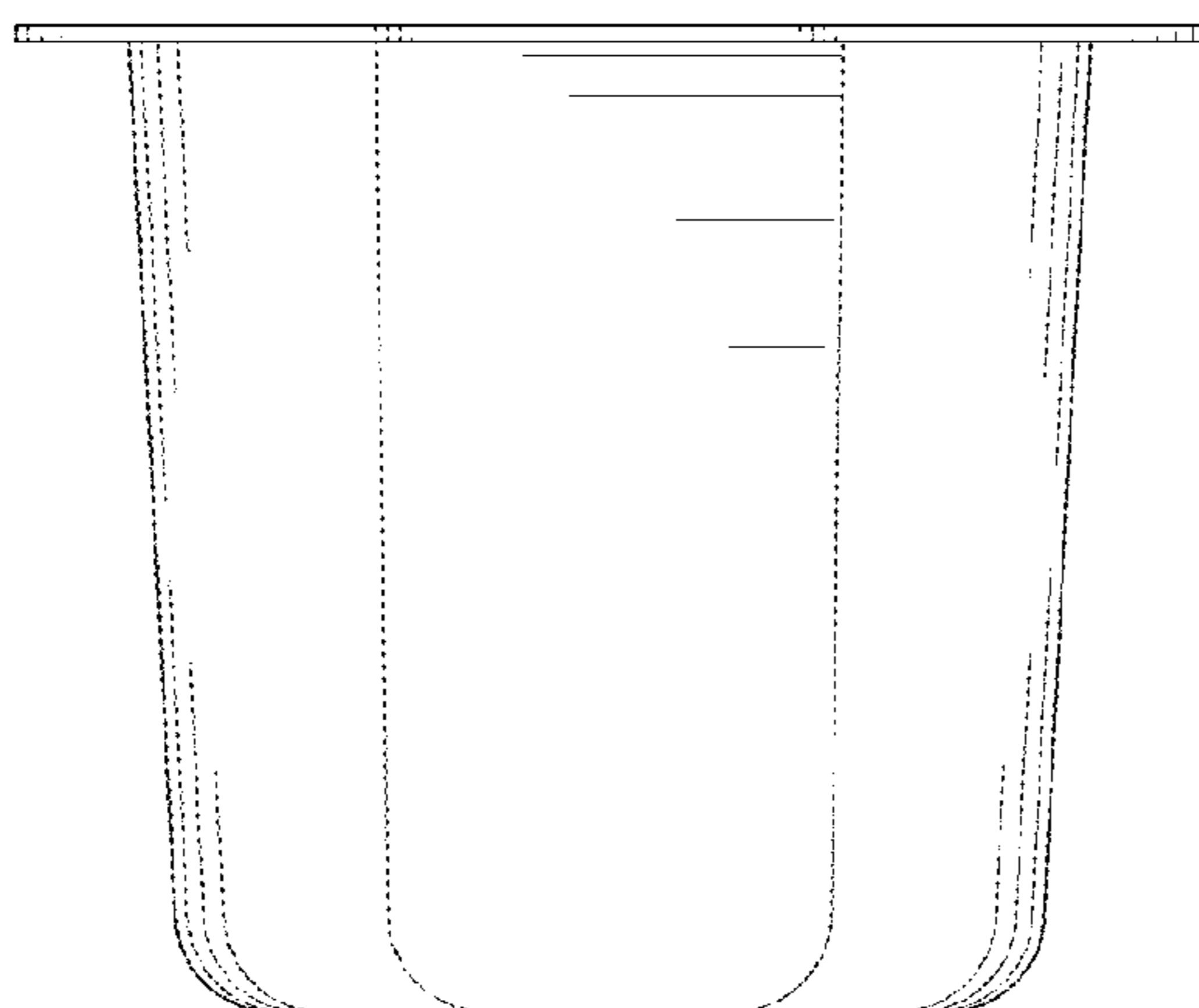


FIG. 33

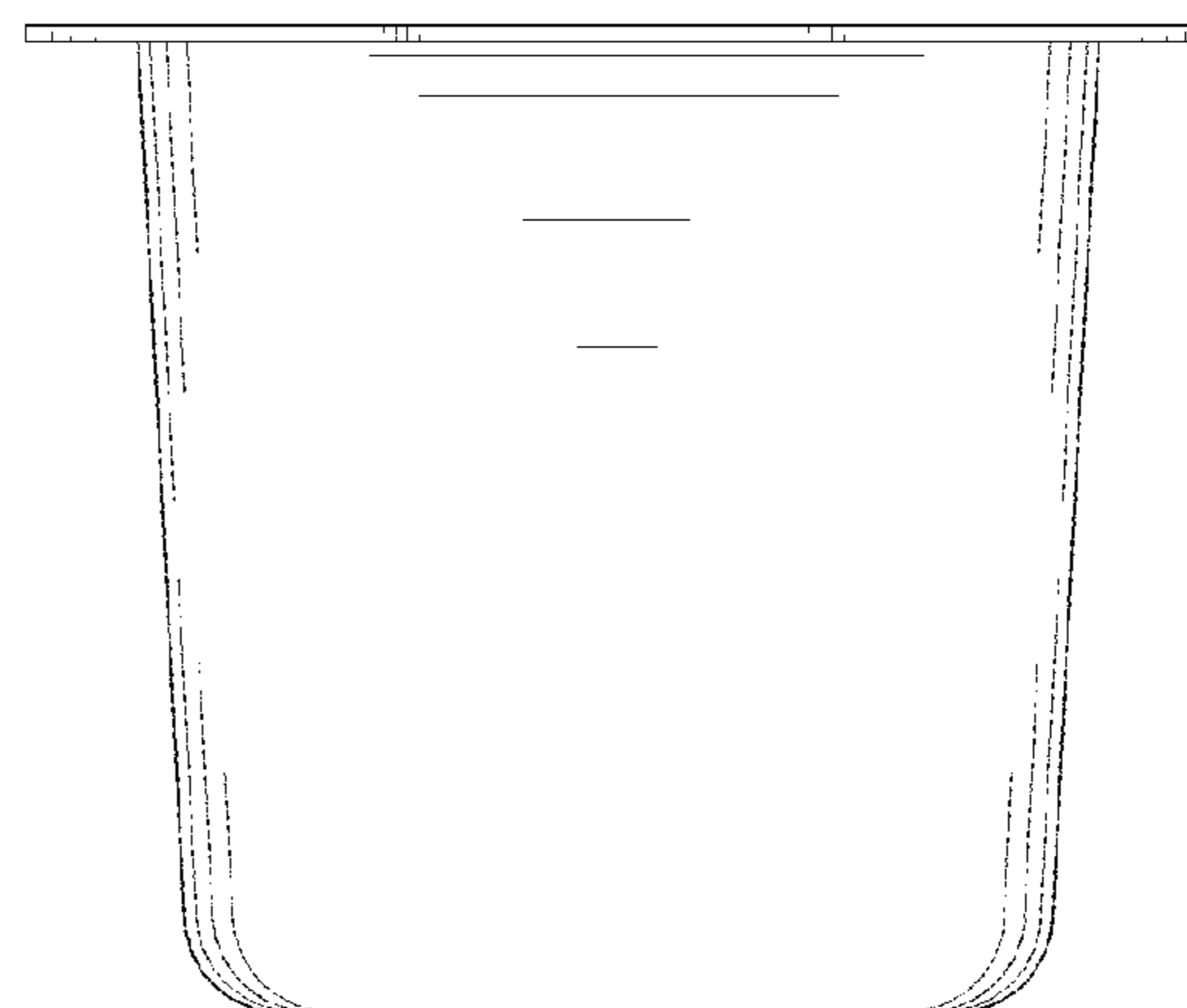


FIG. 34

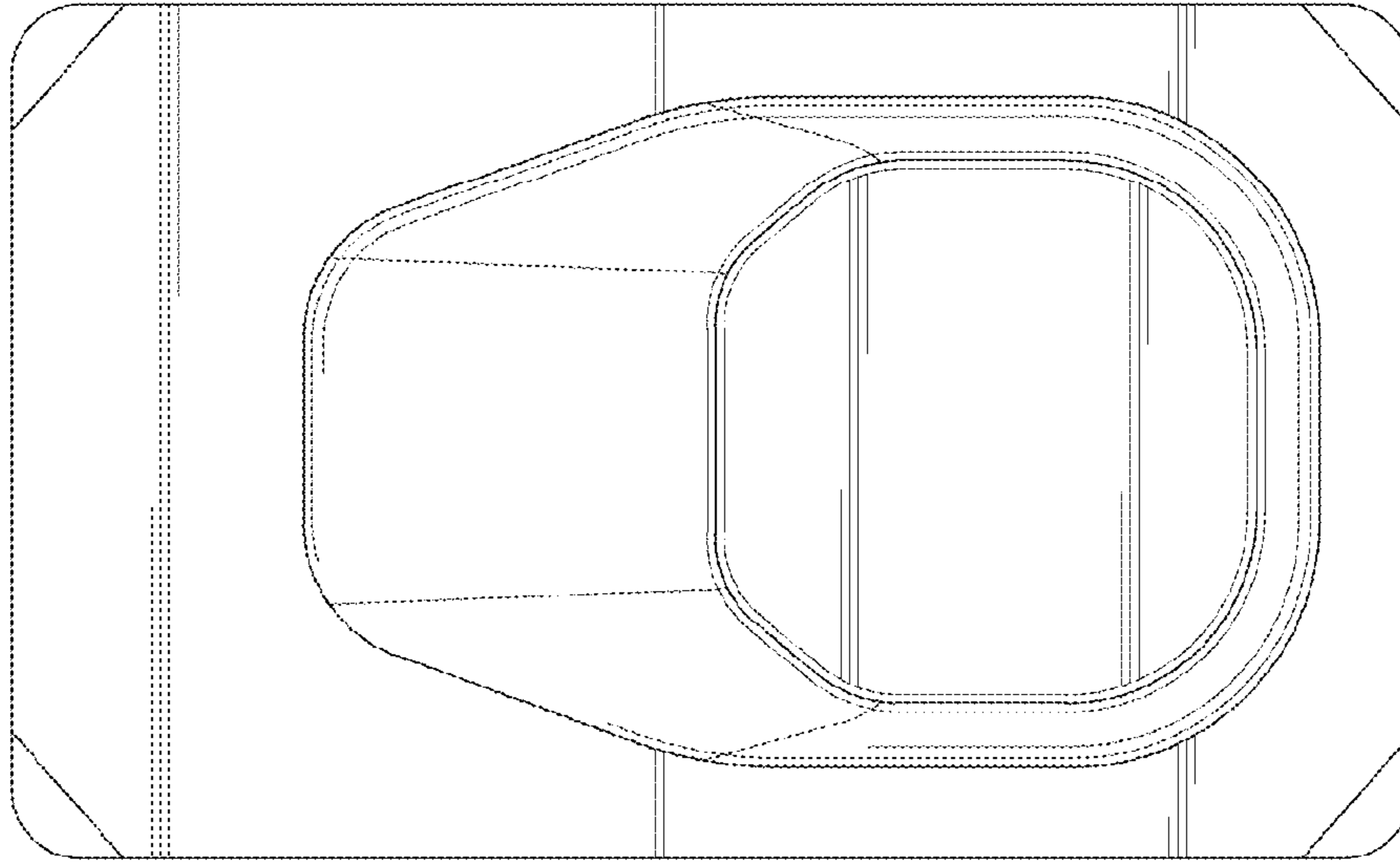


FIG. 36

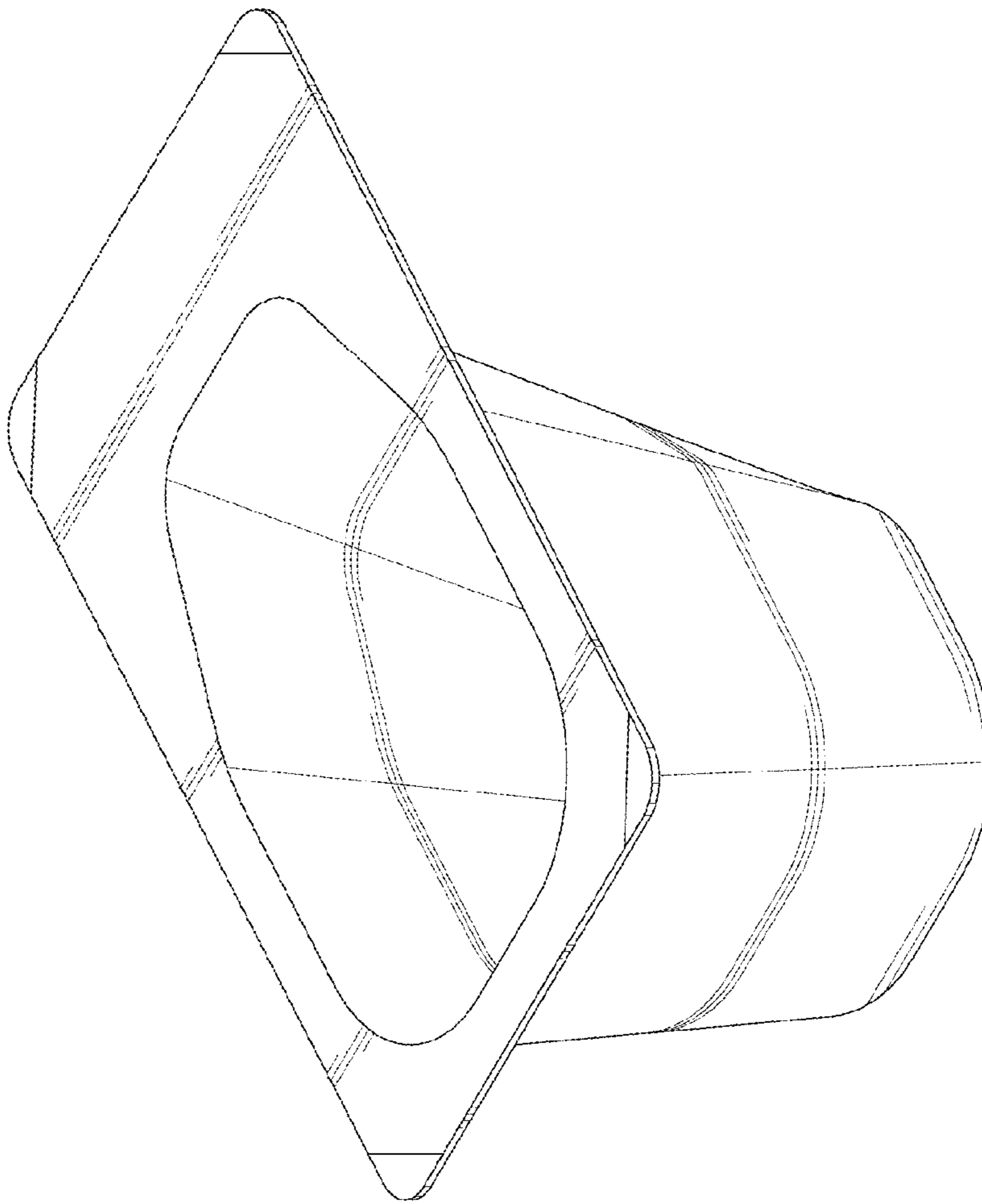


FIG. 35

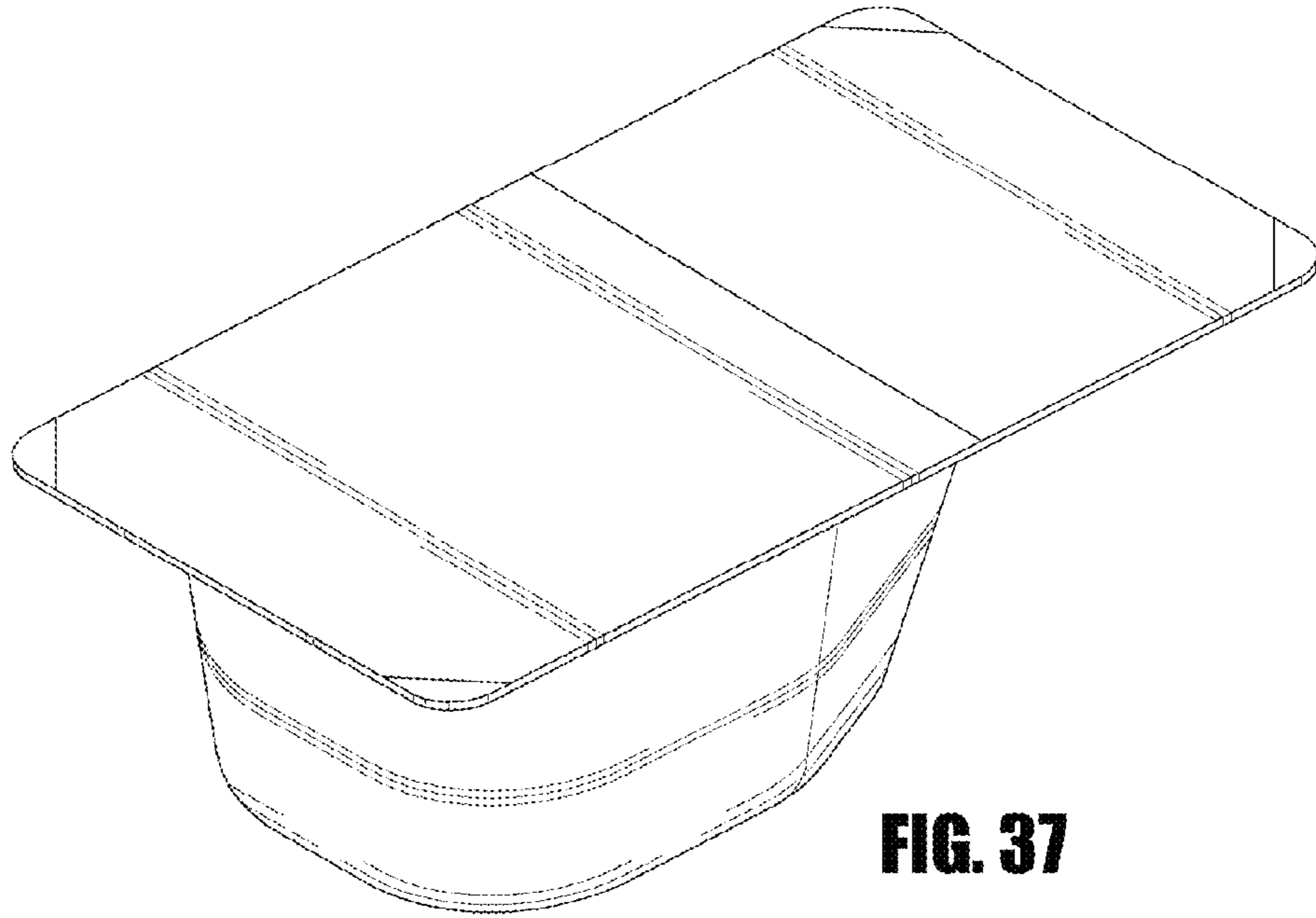


FIG. 37

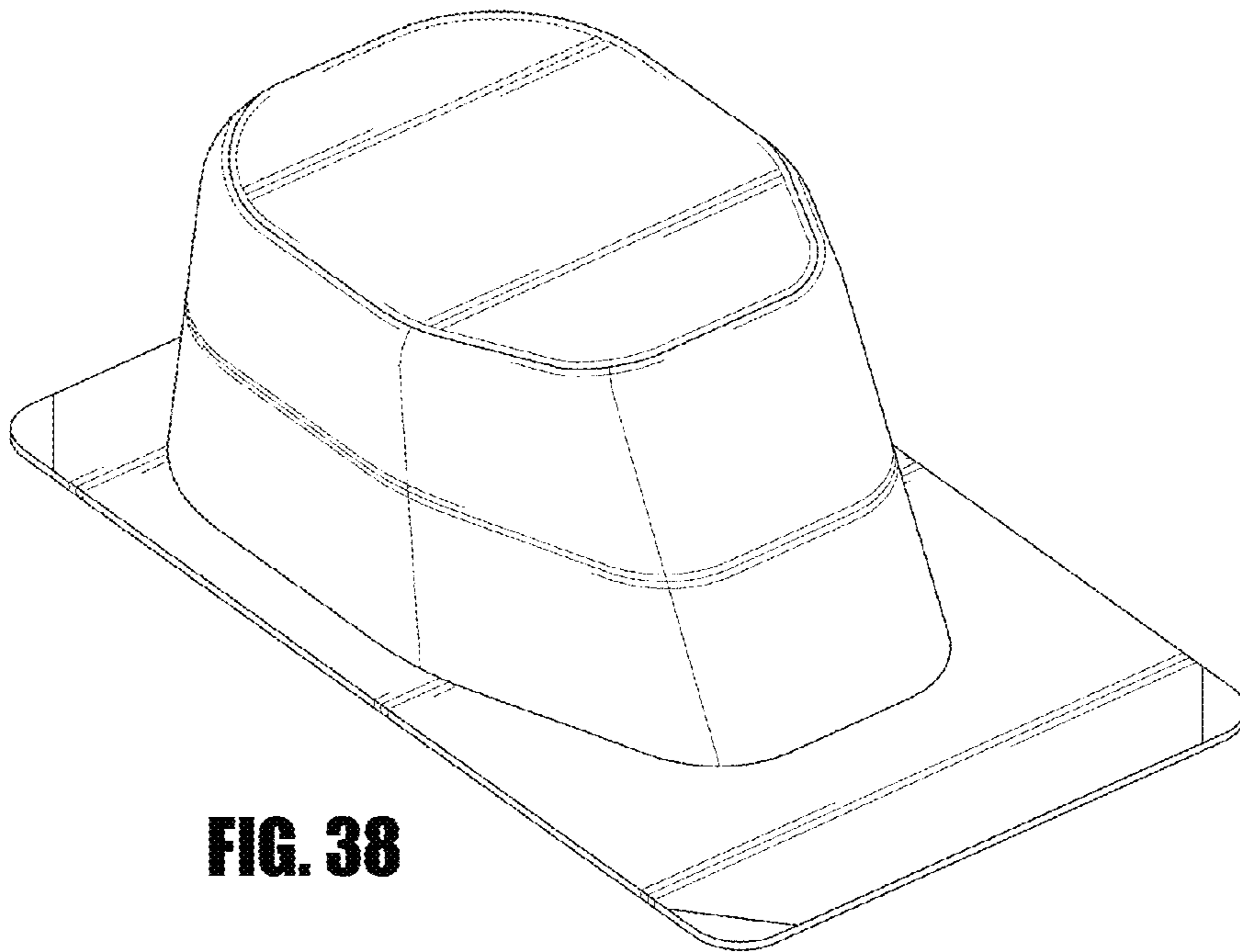


FIG. 38

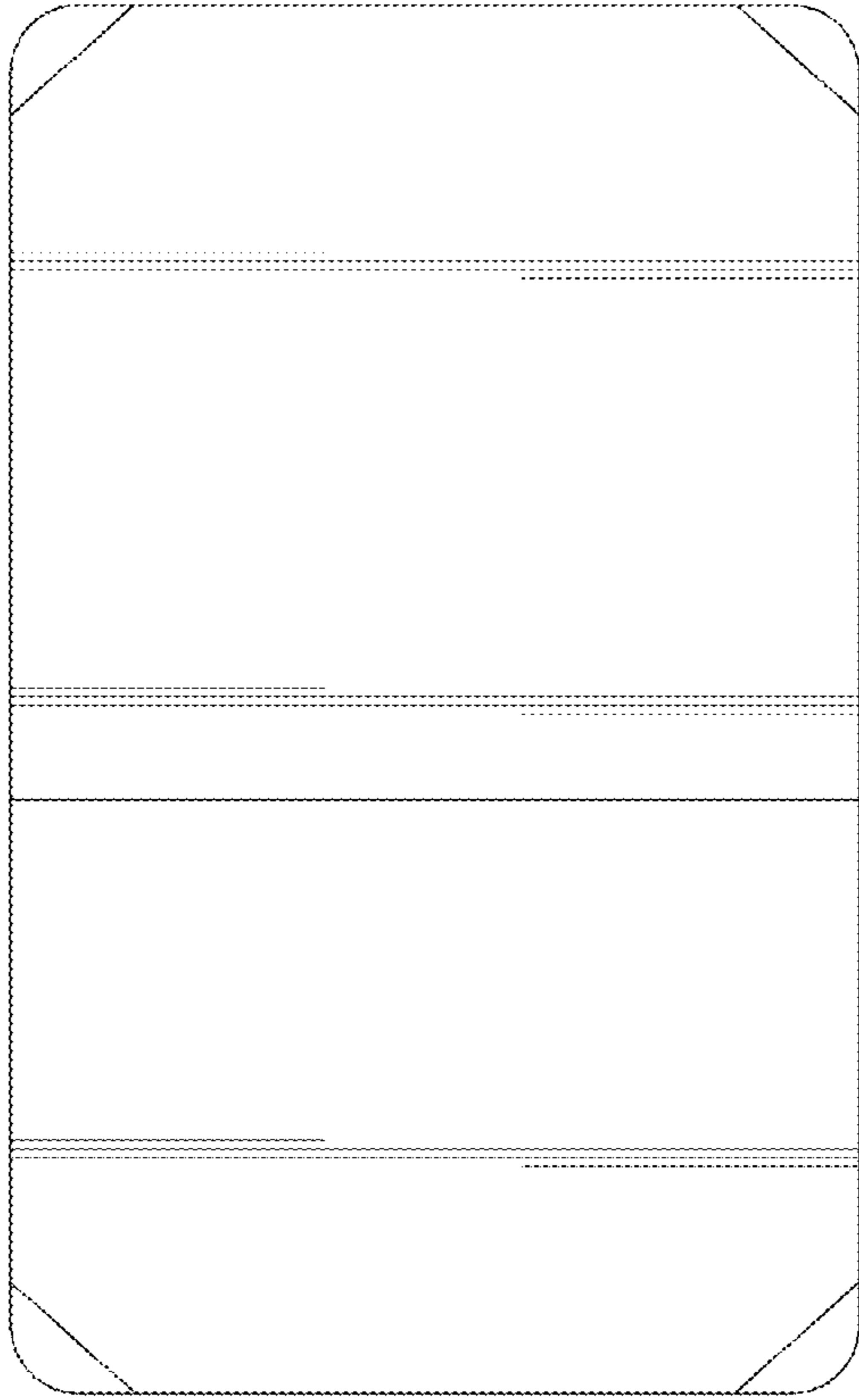


FIG. 39

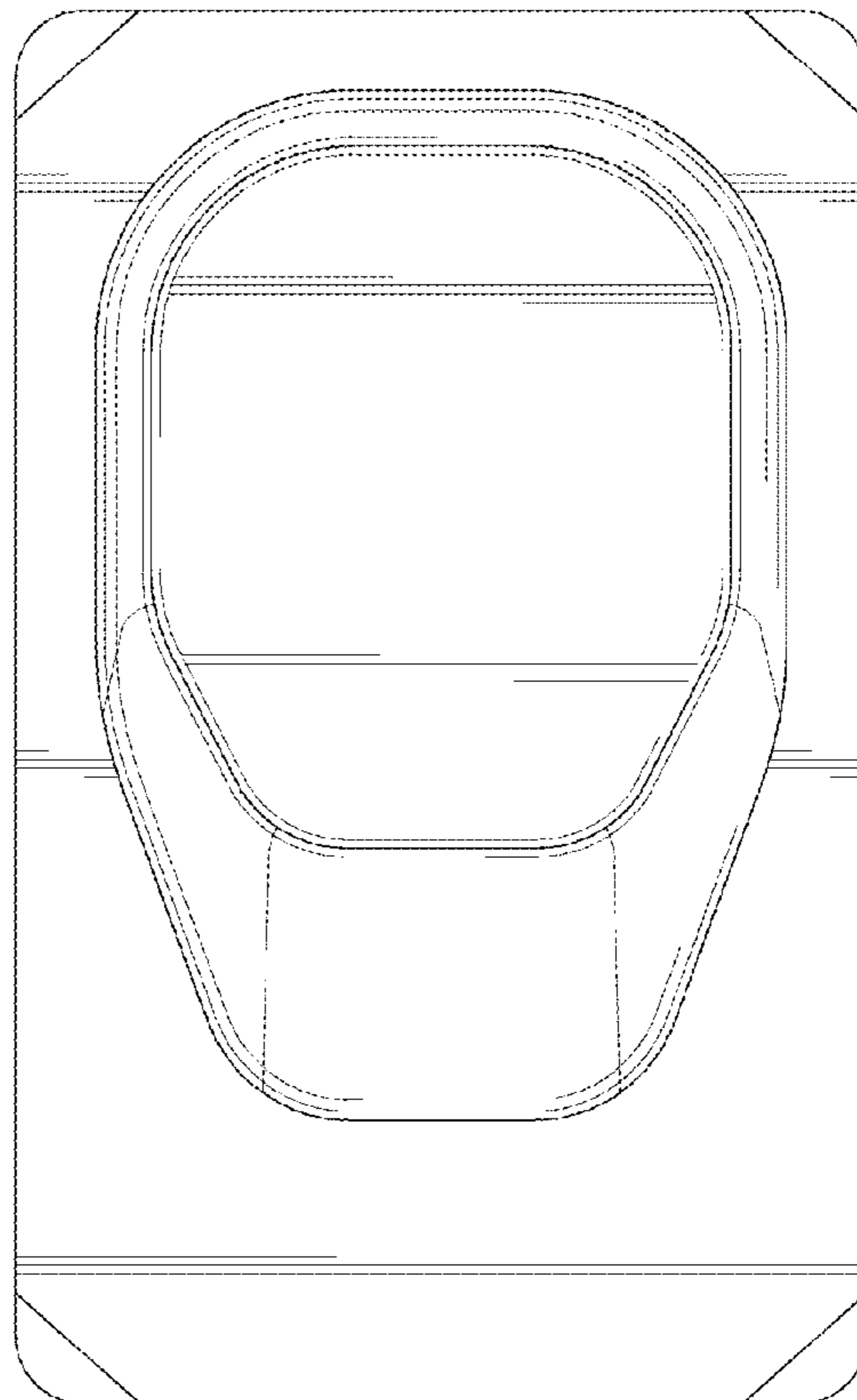


FIG. 40

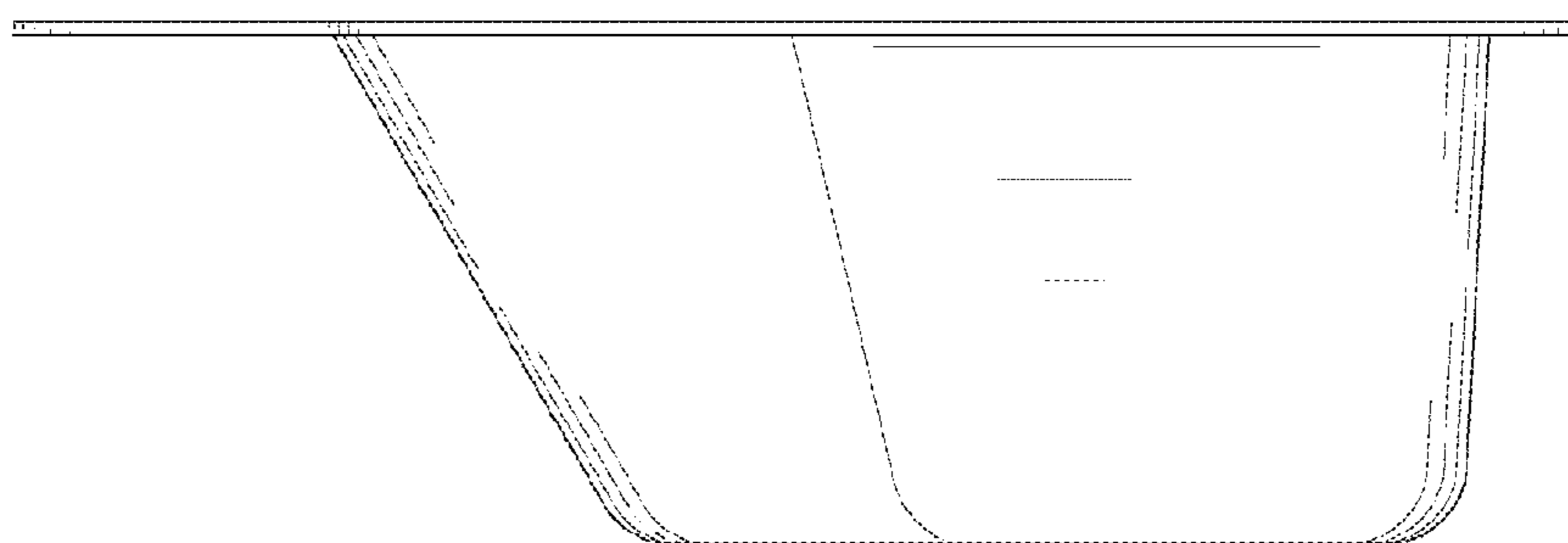


FIG. 41

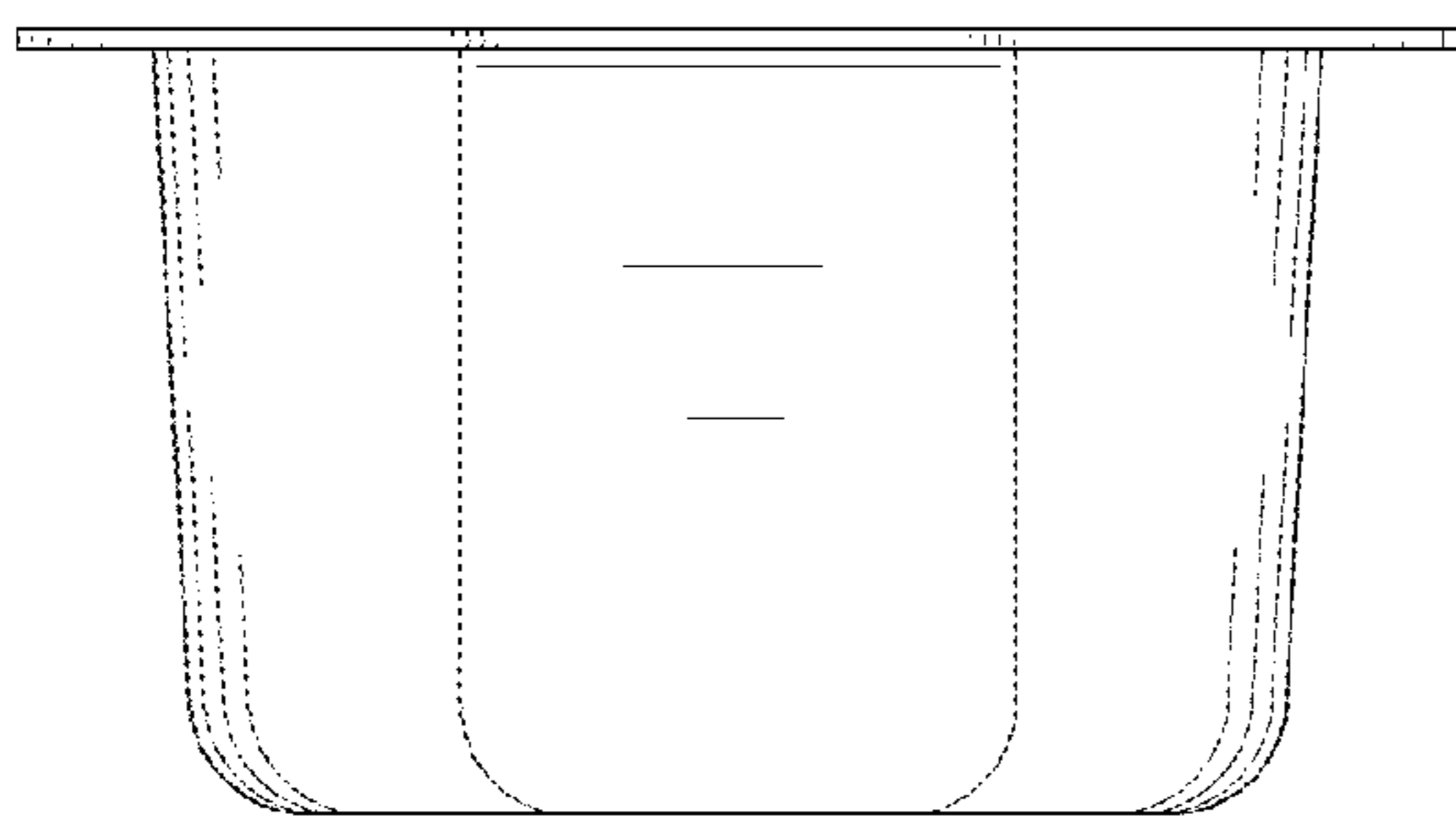


FIG. 42

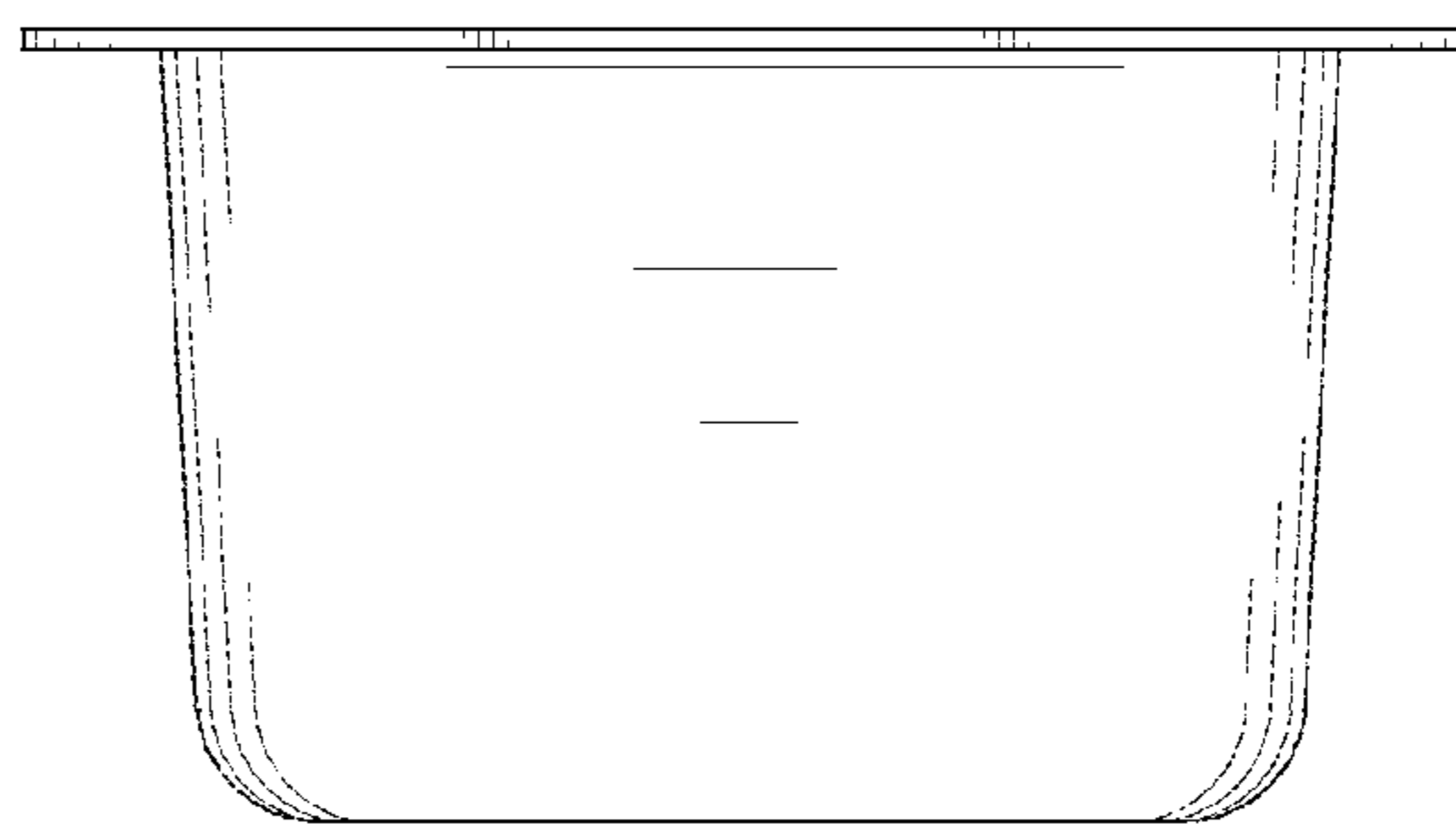


FIG. 43

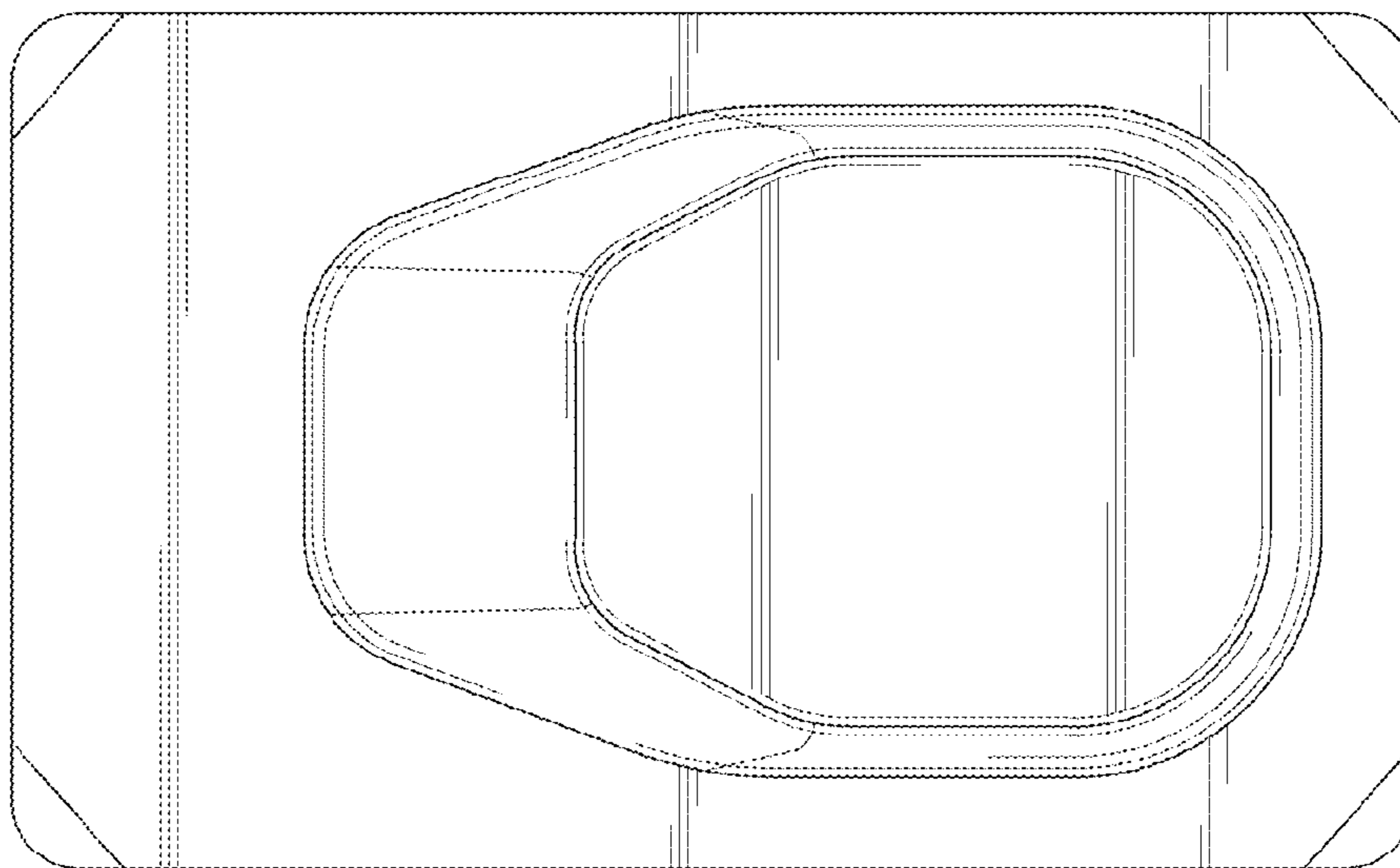


FIG. 45

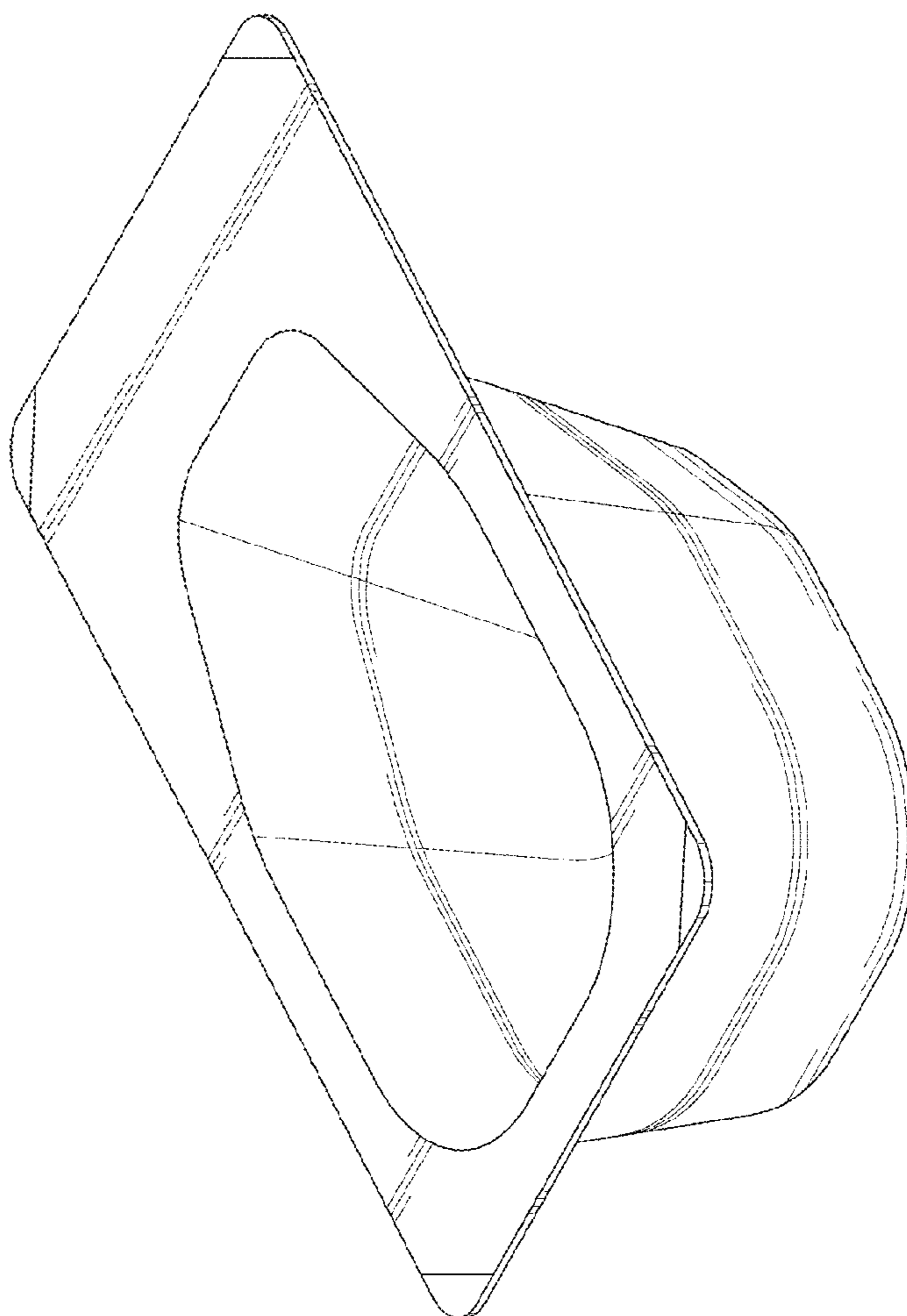


FIG. 44