



US00D739225S

(12) **United States Design Patent**  
**Mazzie**

(10) **Patent No.:** **US D739,225 S**  
(45) **Date of Patent:** **\*\* Sep. 22, 2015**

(54) **GROUND STRAP WITH HOOKED  
GROUNDING NUT**

**DESCRIPTION**

(71) Applicant: **John Mazzie**, Deerfield Beach, FL (US)

(72) Inventor: **John Mazzie**, Deerfield Beach, FL (US)

(\*\*) Term: **14 Years**

(21) Appl. No.: **29/468,696**

(22) Filed: **Oct. 2, 2013**

(51) **LOC (10) Cl.** ..... **08-08**

(52) **U.S. Cl.**  
USPC ..... **D8/396**

(58) **Field of Classification Search**  
USPC ..... D8/349, 354–355, 373, 380, 382–383,  
D8/394, 396, 397; D13/102, 118, 133,  
D13/149, 154, 155, 184, 199  
CPC ..... H01R 4/643; H01R 4/60; Y10T 24/1439  
See application file for complete search history.

(56) **References Cited**

**U.S. PATENT DOCUMENTS**

846,400	A *	3/1907	Cox	439/800
4,591,229	A *	5/1986	Sachs	439/795
4,664,469	A *	5/1987	Sachs	439/800
D313,392	S *	1/1991	Sachs	D13/133
5,131,856	A *	7/1992	Auclair	439/100
5,314,343	A *	5/1994	Englander	439/100
D383,379	S *	9/1997	Keegan	D8/394
6,933,442	B2 *	8/2005	Franks, Jr.	174/51
D513,973	S *	1/2006	Cheung	D8/394
7,008,242	B2 *	3/2006	Inoue	439/92
7,122,739	B2 *	10/2006	Franks, Jr.	174/51

\* cited by examiner

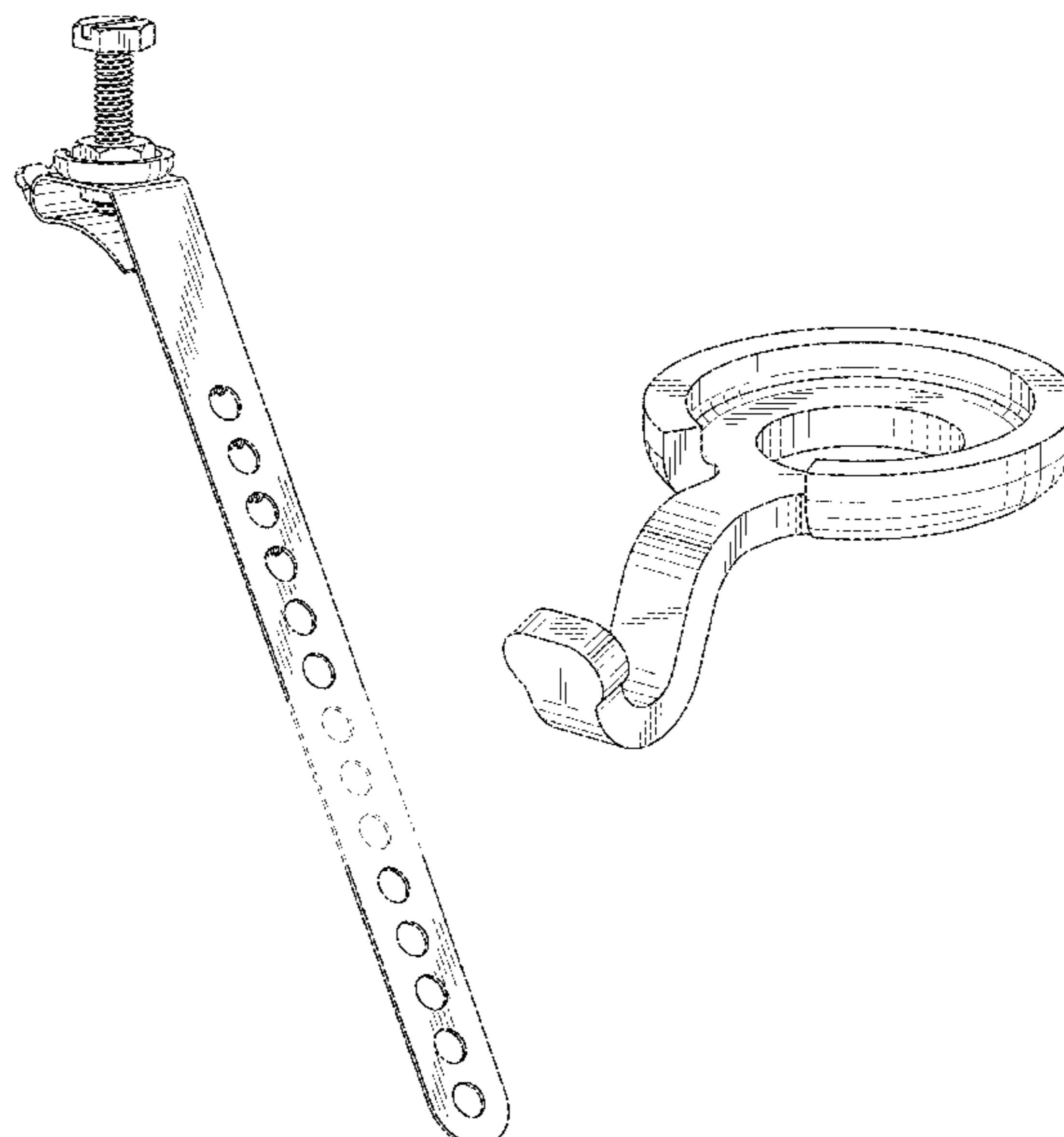
*Primary Examiner* — Karen E Kearney  
*Assistant Examiner* — Nathaniel D Buckner

(57) **CLAIM**

The ornamental design for a ground strap with hooked grounding nut, as shown and described.

FIG. 1 is a perspective front view of a ground strap with hooked grounding nut;  
 FIG. 2 is a front elevation view of the ground strap with hooked grounding nut;  
 FIG. 3 is a rear elevation view of the ground strap with hooked grounding nut;  
 FIG. 4 is a left side elevation view of the ground strap with hooked grounding nut; the right side elevation view being a mirror image thereof;  
 FIG. 5 is a top plan view of the ground strap with hooked grounding nut;  
 FIG. 6 is a bottom plan view of the ground strap with hooked grounding nut;  
 FIG. 7 is an enlarged fragmentary perspective front view of the ground strap with hooked grounding nut shown in FIG. 1, illustrating the hooked grounding nut in detail;  
 FIG. 8 is an enlarged fragmentary front elevation view of the ground strap with hooked grounding nut shown in FIG. 1, illustrating the hooked grounding nut in detail;  
 FIG. 9 is an enlarged fragmentary rear elevation view of the ground strap with hooked grounding nut shown in FIG. 1, illustrating the hooked grounding nut in detail;  
 FIG. 10 is an enlarged fragmentary left side elevation view of the ground strap with hooked grounding nut shown in FIG. 1, illustrating the hooked grounding nut in detail; the enlarged fragmentary right side elevation view being a mirror image thereof;  
 FIG. 11 is an enlarged fragmentary top plan view of the ground strap with hooked grounding nut shown in FIG. 1, illustrating the hooked grounding nut in detail; and,  
 FIG. 12 is an enlarged fragmentary bottom plan view of the ground strap with hooked grounding nut shown in FIG. 1, illustrating the hooked grounding nut in detail.

**1 Claim, 6 Drawing Sheets**



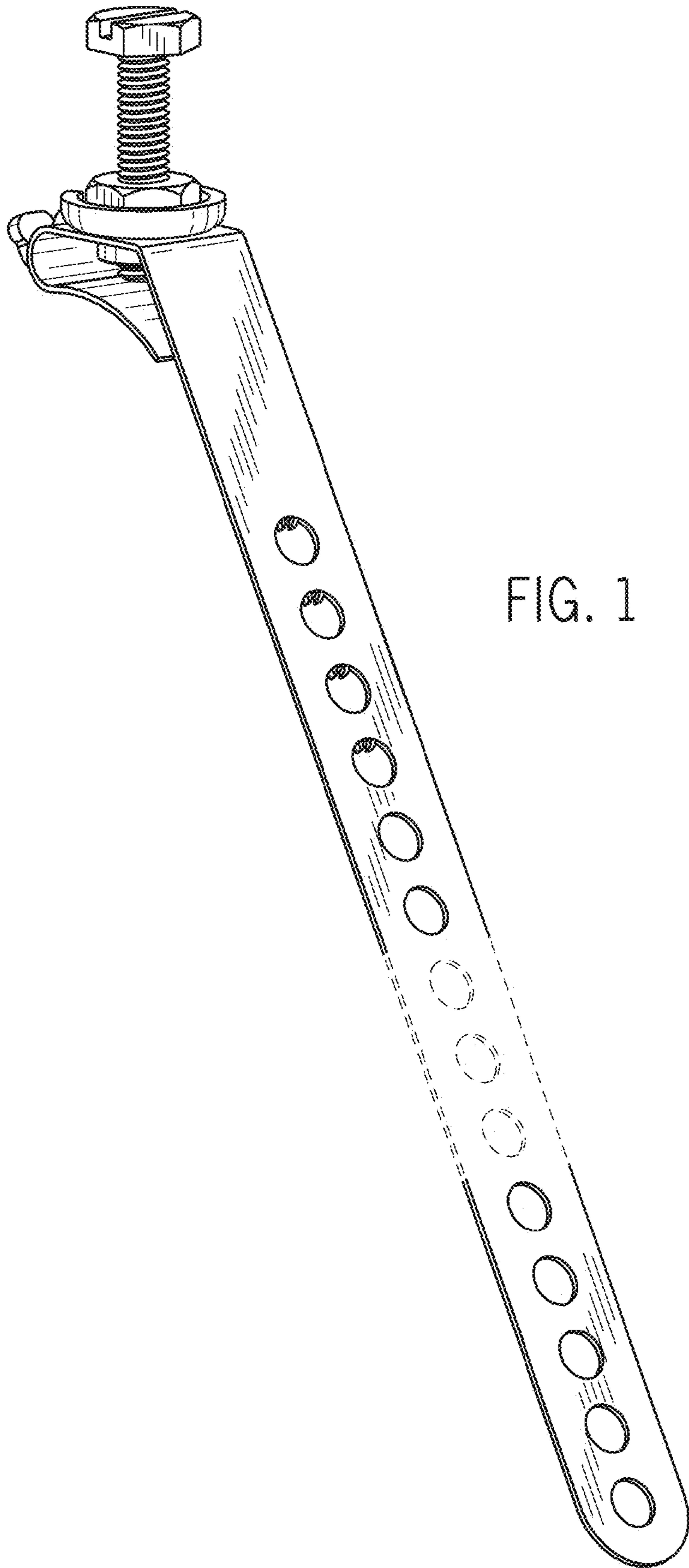


FIG. 1

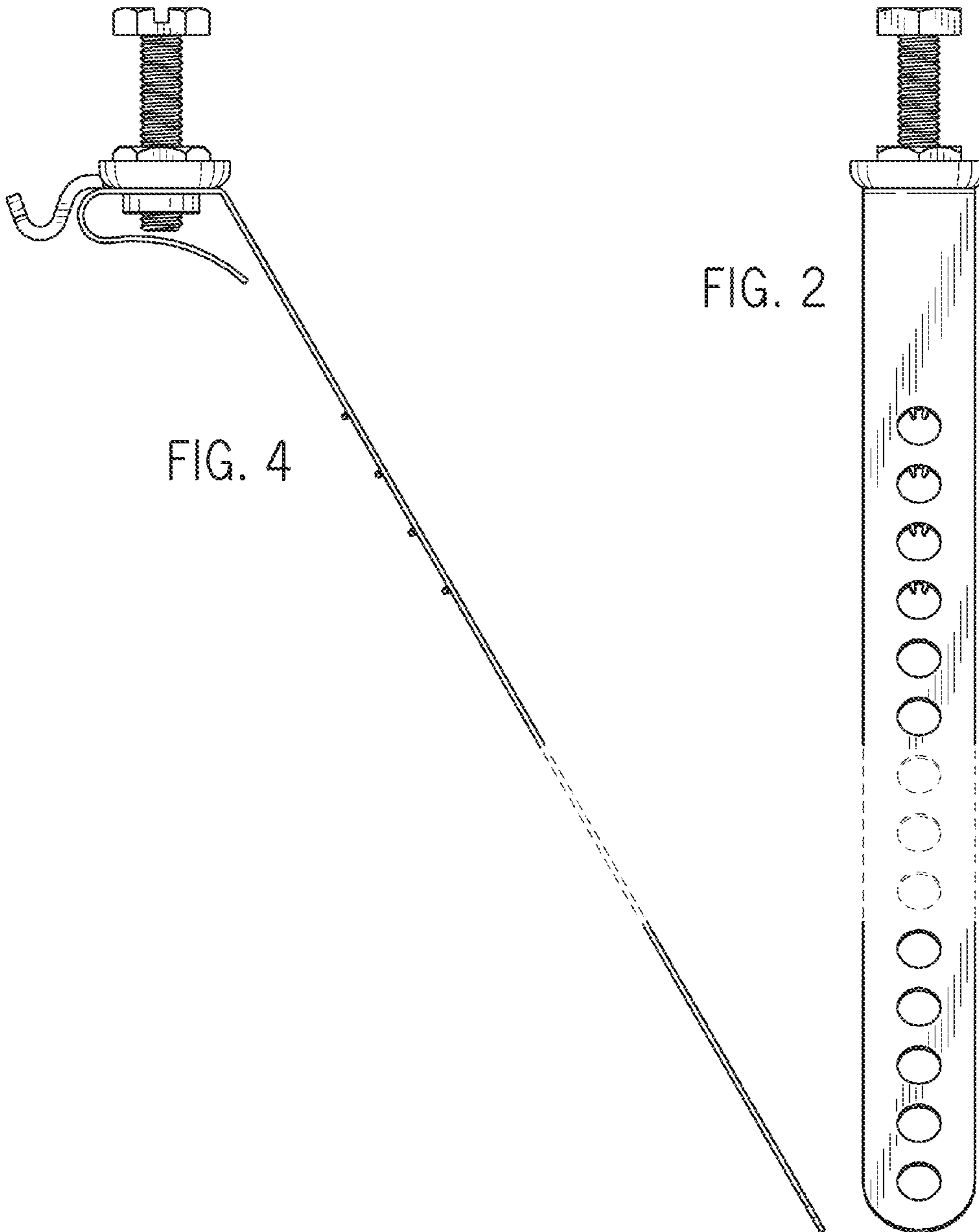


FIG. 4

FIG. 2

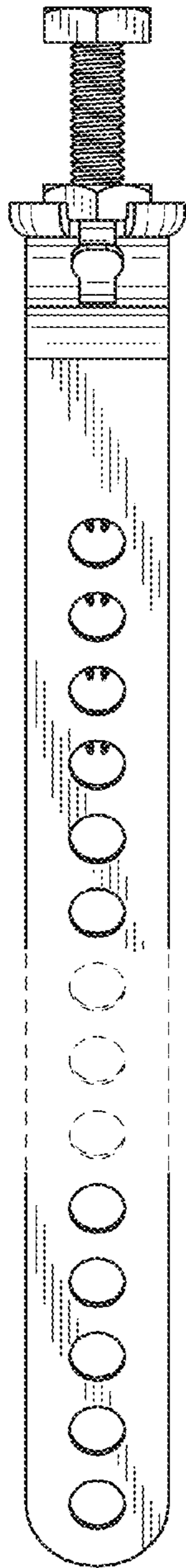


FIG. 3

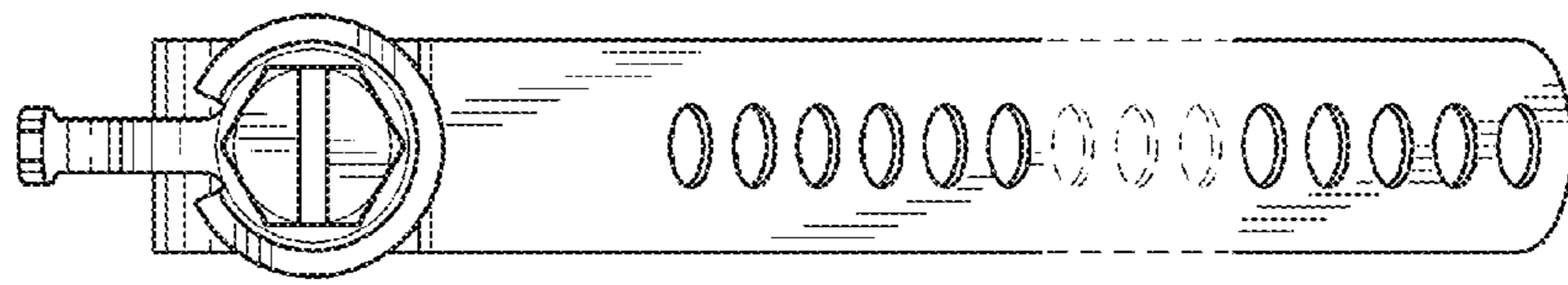


FIG. 5

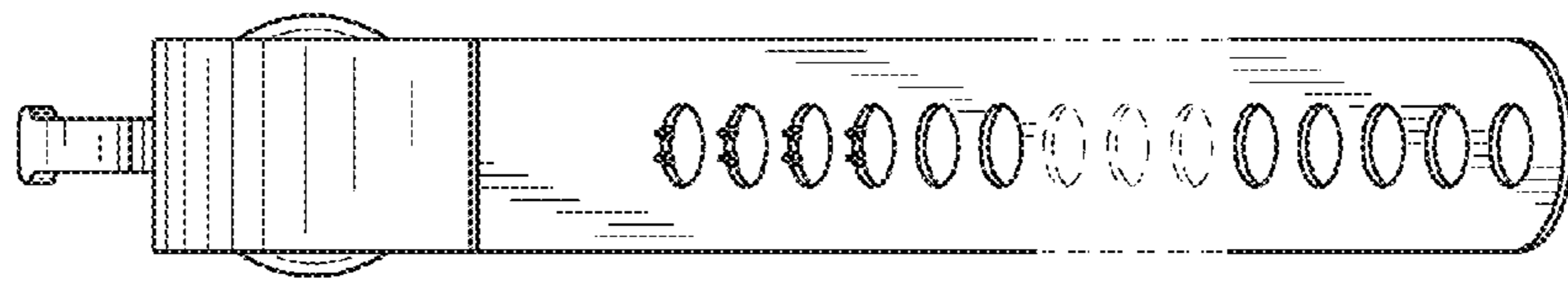


FIG. 6

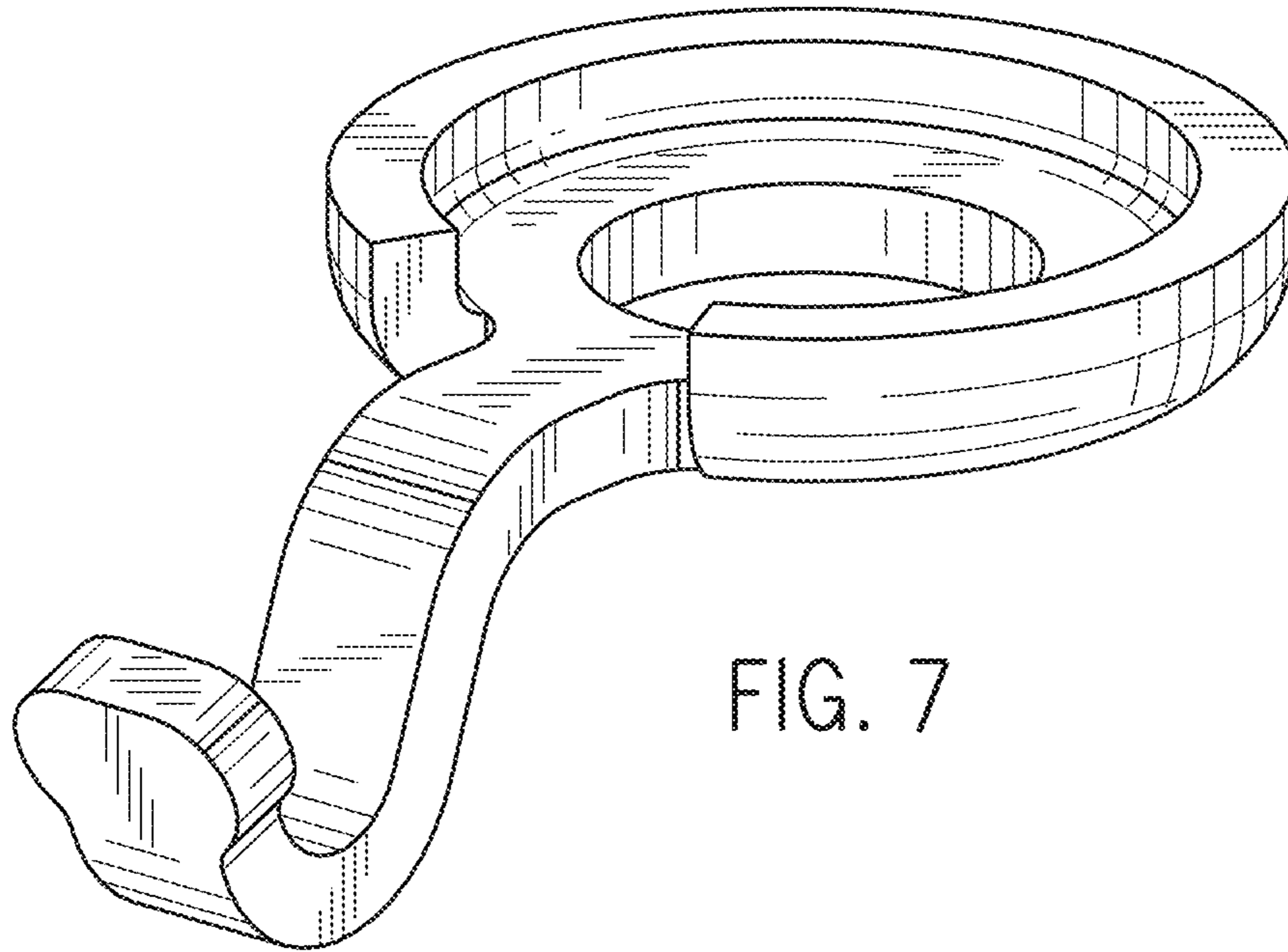


FIG. 7

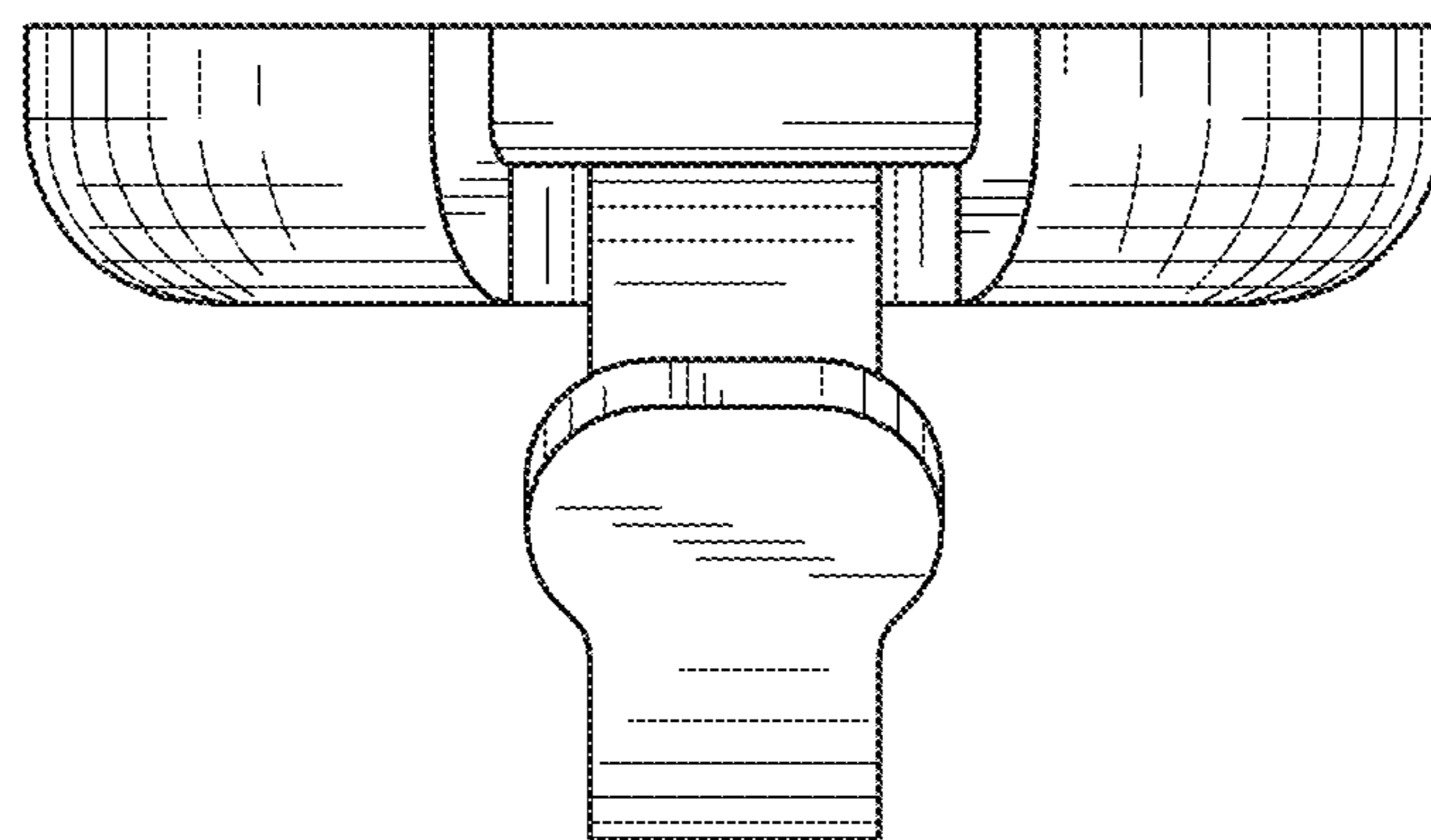


FIG. 8

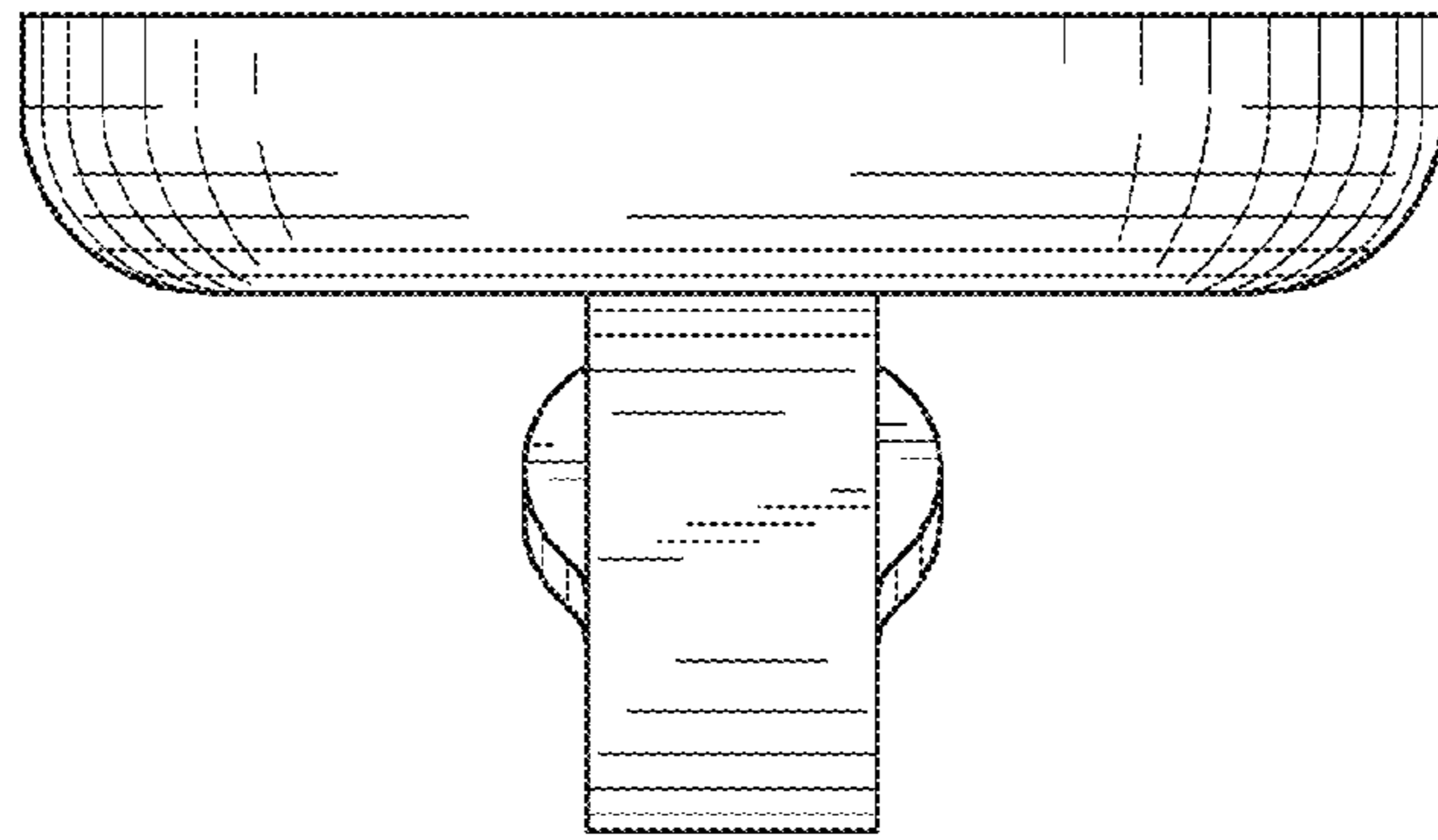


FIG. 9

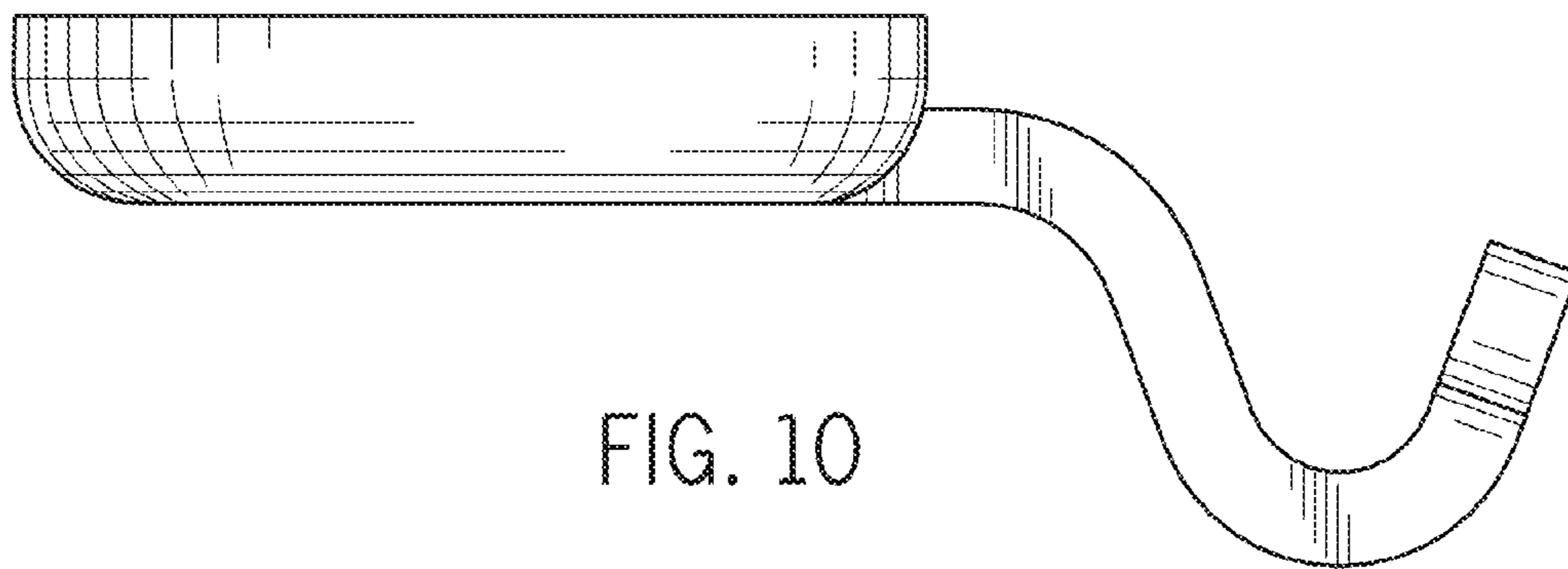


FIG. 10

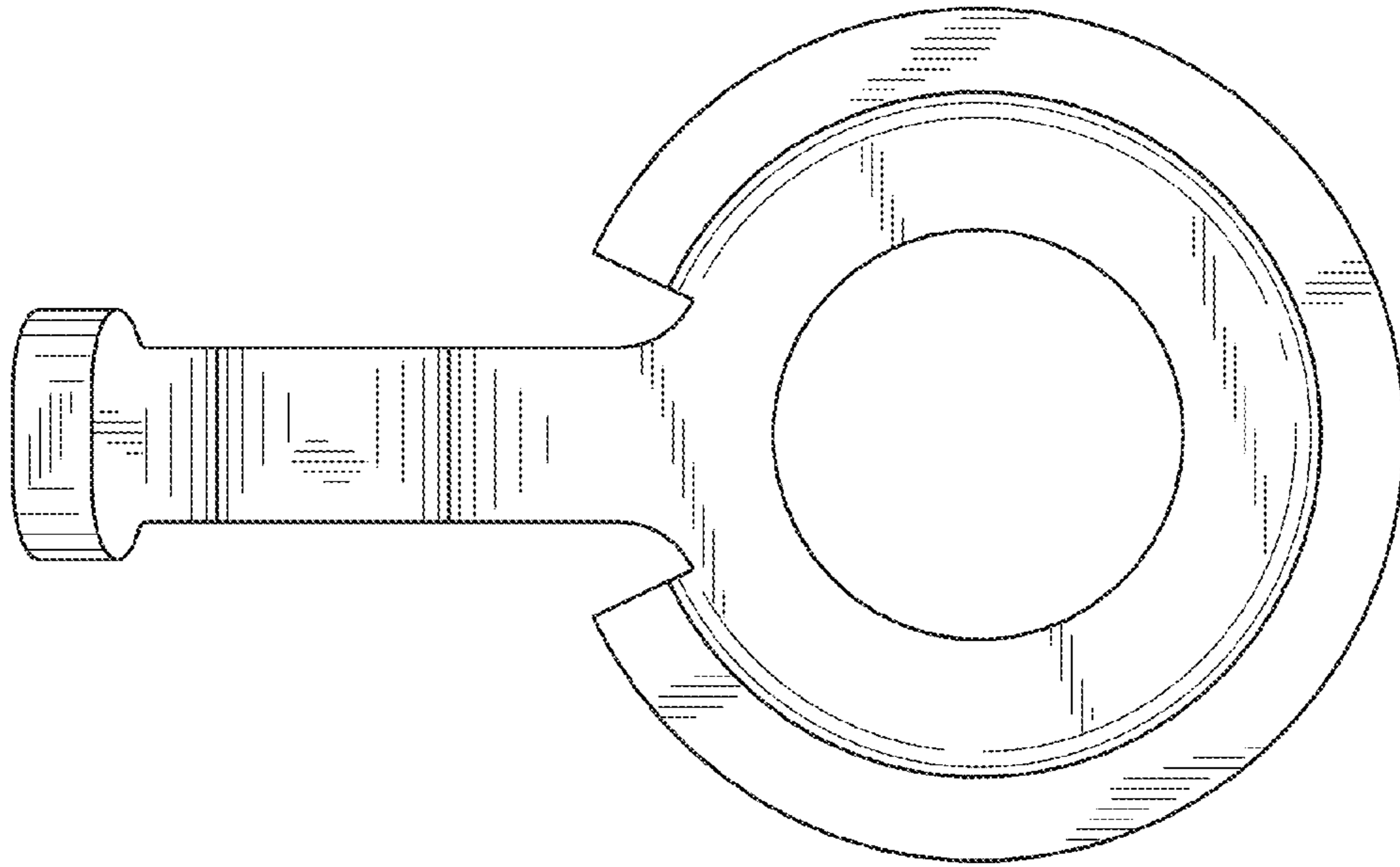


FIG. 11

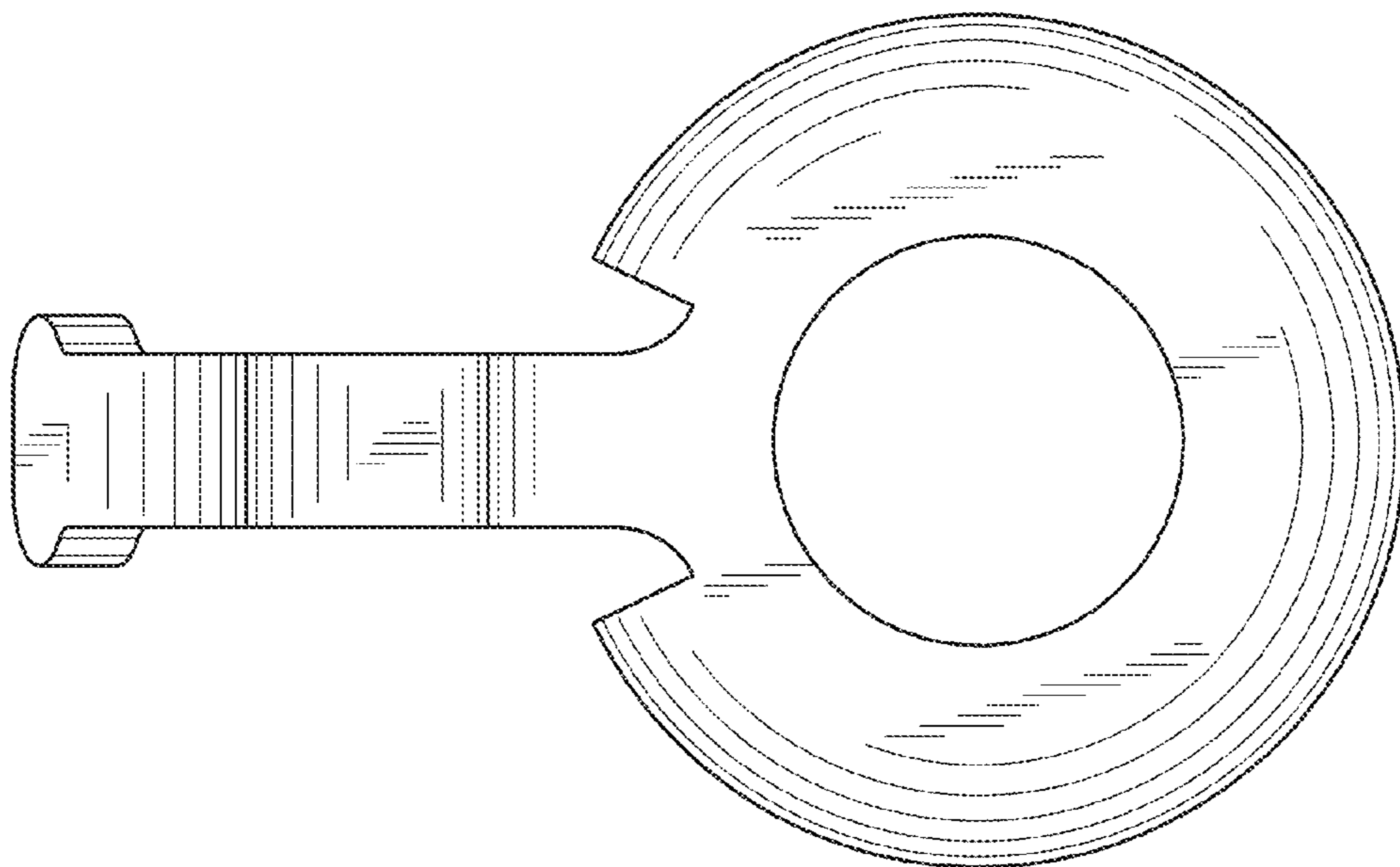


FIG. 12