



US00D739224S

(12) **United States Design Patent**
Hayman et al.

(10) **Patent No.:** **US D739,224 S**

(45) **Date of Patent:** **** Sep. 22, 2015**

(54) **CLAMP**

(71) Applicant: **Zuma Dental, LLC**, Los Angeles, CA (US)

(72) Inventors: **Robert Hayman**, Los Angeles, CA (US); **Ekram Khan**, League City, TX (US); **Michael Paloian**, Cold Spring Harbor, NY (US); **Anthony Orchard**, Wantagh, NY (US)

(73) Assignee: **Zuma Dental, LLC**, Los Angeles, CA (US)

(**) Term: **14 Years**

(21) Appl. No.: **29/449,872**

(22) Filed: **Mar. 15, 2013**

(51) **LOC (10) Cl.** **08-08**

(52) **U.S. Cl.**
USPC **D8/396**

(58) **Field of Classification Search**
USPC D8/396; D24/152, 158-161, 176, 185, D24/186, 177; 24/274 R, 279, 276; 285/252, 285/253, 410, 364, 407; 378/147-153
See application file for complete search history.

(56) **References Cited**

U.S. PATENT DOCUMENTS

3,127,514 A * 3/1964 Sharp et al. 378/153
3,333,872 A * 8/1967 Crawford, Sr. et al. 285/374

3,726,549 A * 4/1973 Bradley, Jr. 285/356
4,695,079 A * 9/1987 Weinhold 285/278
4,984,261 A * 1/1991 Maldonado et al. 378/202
D438,781 S * 3/2001 Leach D8/394
6,361,082 B1 * 3/2002 Hauki et al. 285/253
D622,347 S * 8/2010 Adey D23/207
7,828,338 B2 * 11/2010 Kertesz et al. 285/365
D714,630 S * 10/2014 Irgens D8/394
2012/0039445 A1 * 2/2012 Kantor et al. 378/147
2013/0221666 A1 * 8/2013 Stephen 285/410
2014/0064834 A1 * 3/2014 Jeggle 403/293
2014/0097611 A1 * 4/2014 Webb et al. 285/13
2014/0162795 A1 * 6/2014 Hewitt et al. 464/88

* cited by examiner

Primary Examiner — John Windmuller

(74) *Attorney, Agent, or Firm* — Quan & Associates; Nancy N. Quan; Christopher N. Quan

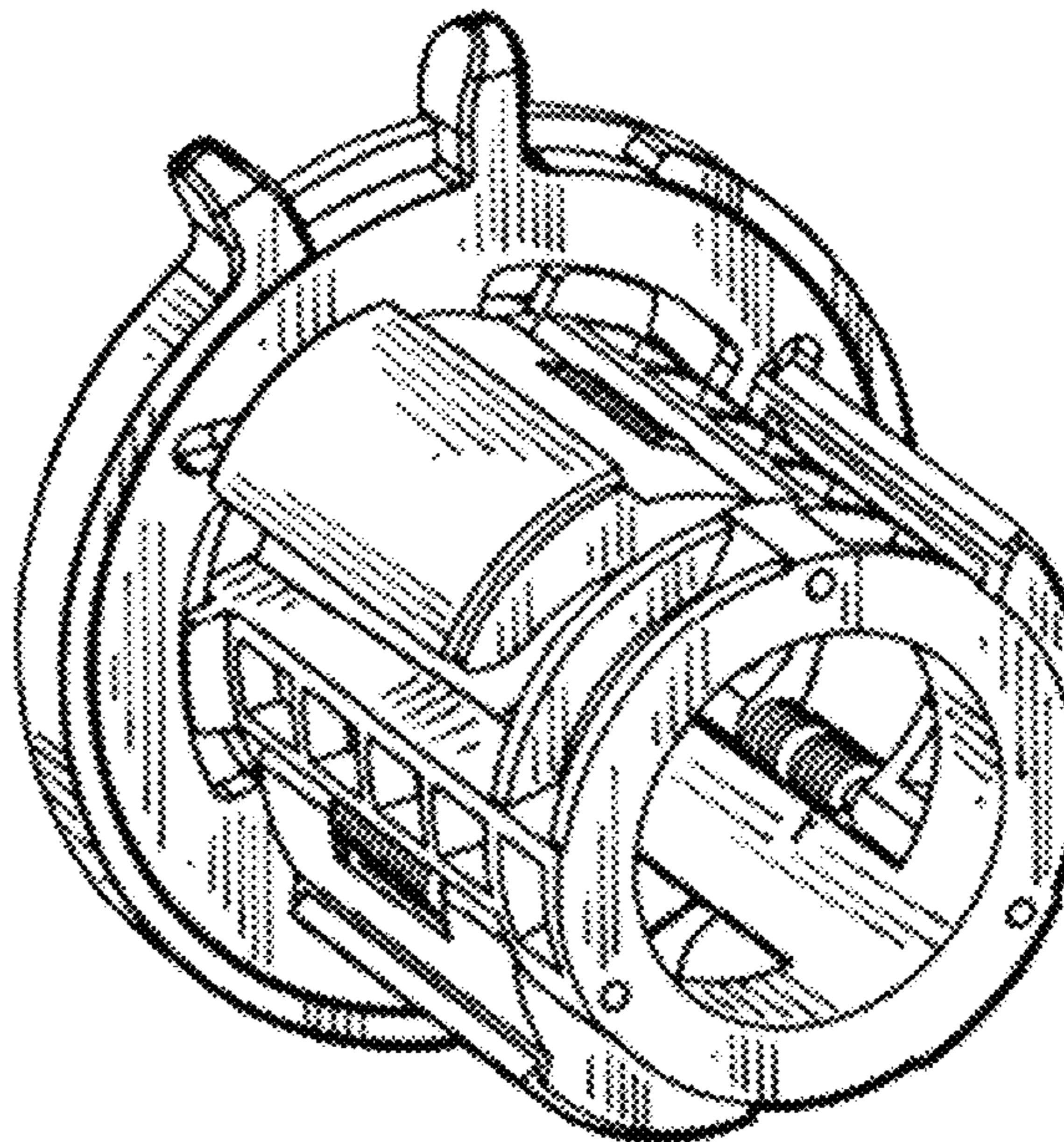
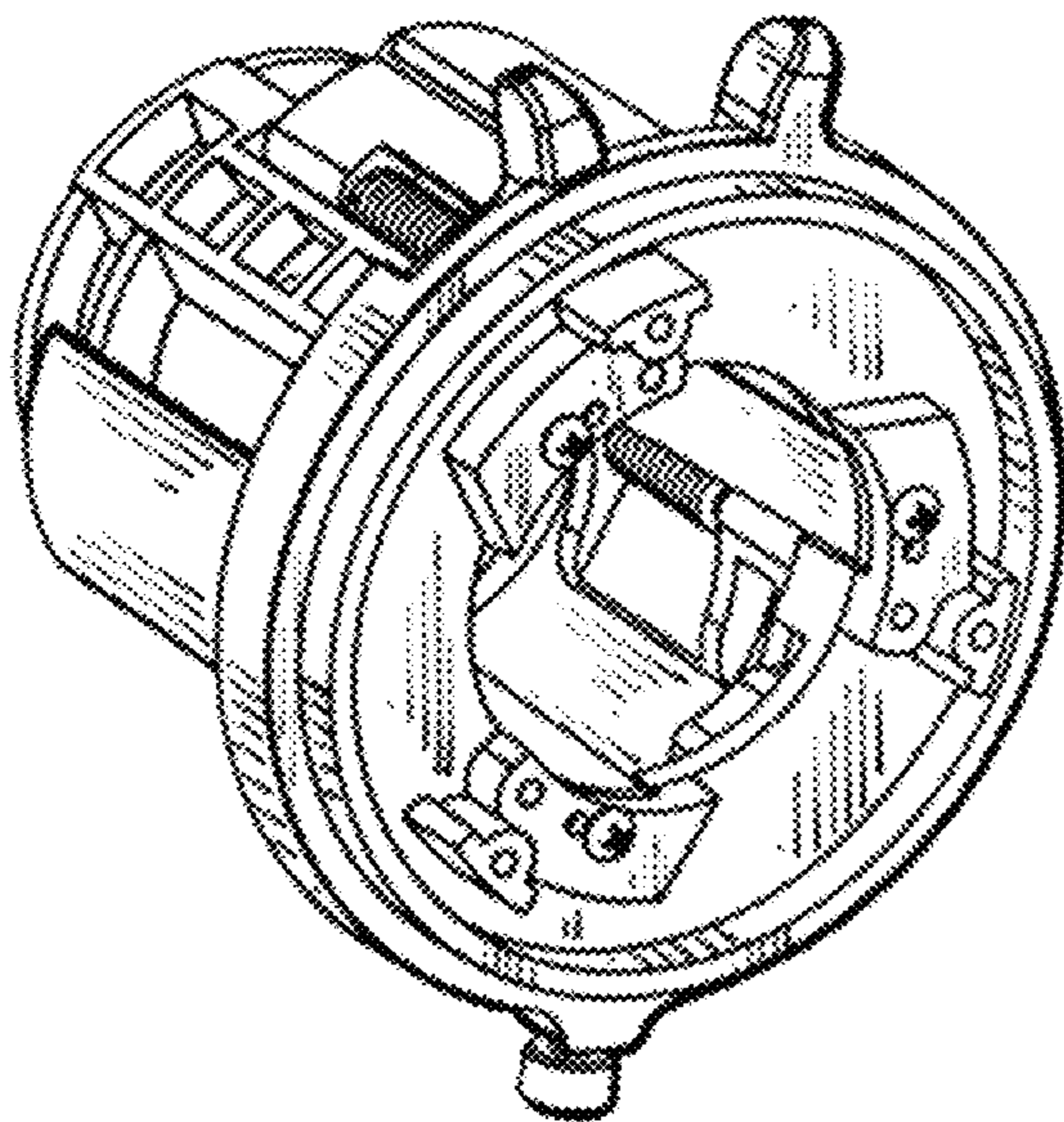
(57) **CLAIM**

The ornamental design for a clamp, as shown and described.

DESCRIPTION

FIG. 1 is a front and side perspective view of a clamp embodying our new design;
FIG. 2 is a back view thereof;
FIG. 3 is front view thereof;
FIG. 4 is a right side view thereof;
FIG. 5 is a top view thereof;
FIG. 6 is a left side view thereof;
FIG. 7 is a bottom view; and,
FIG. 8 is a back and side perspective view thereof.

1 Claim, 2 Drawing Sheets



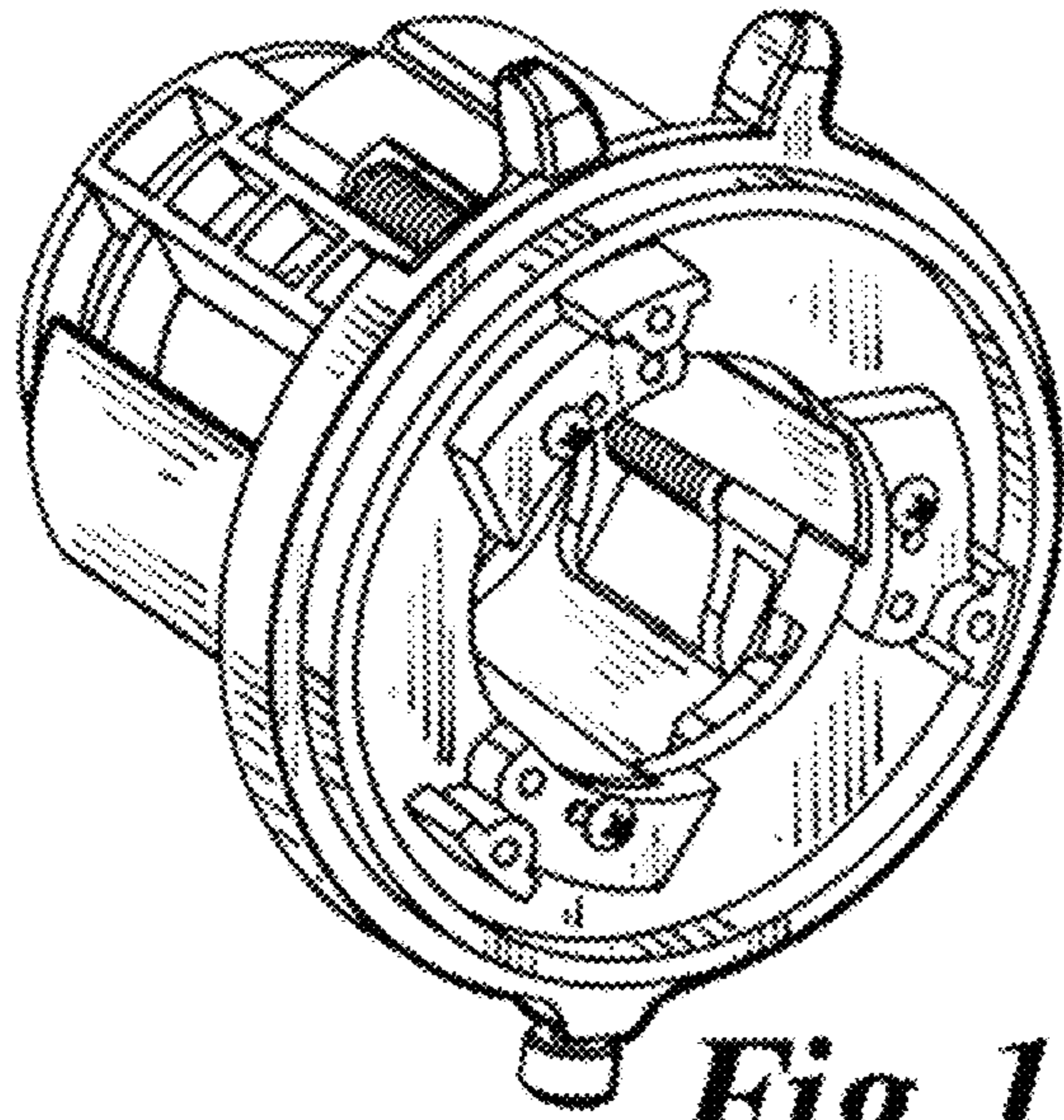


Fig. 1

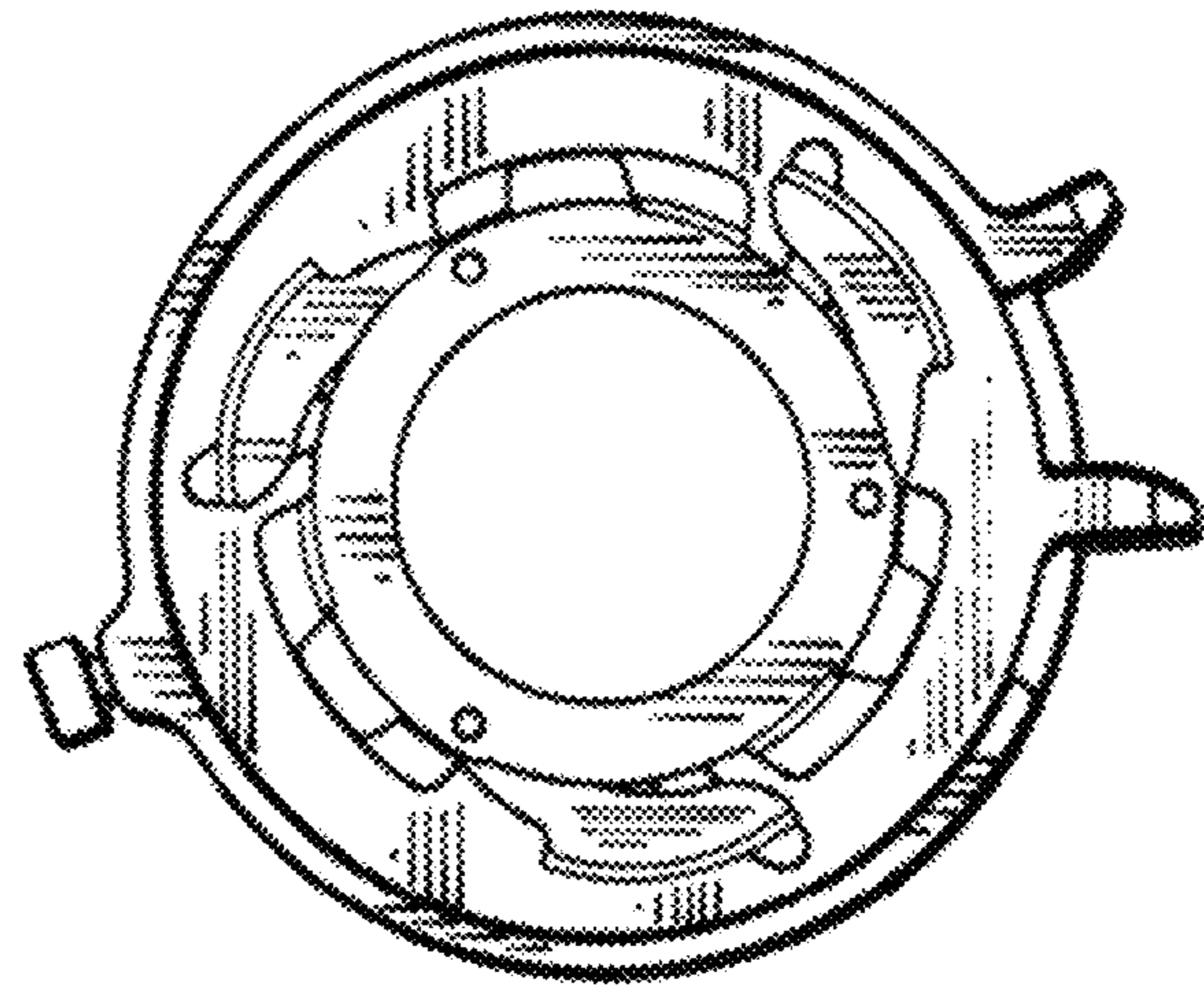


Fig. 2

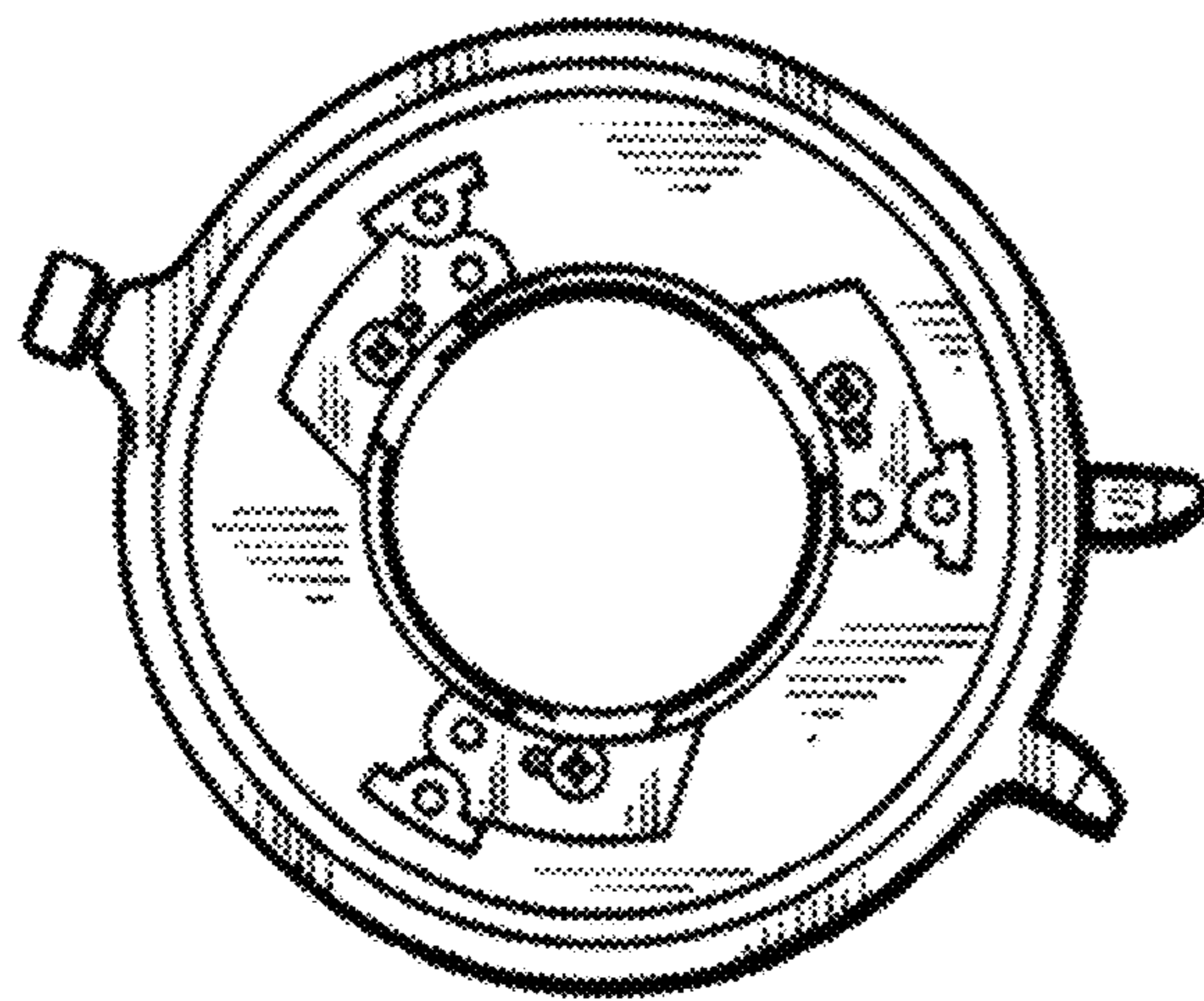


Fig. 3

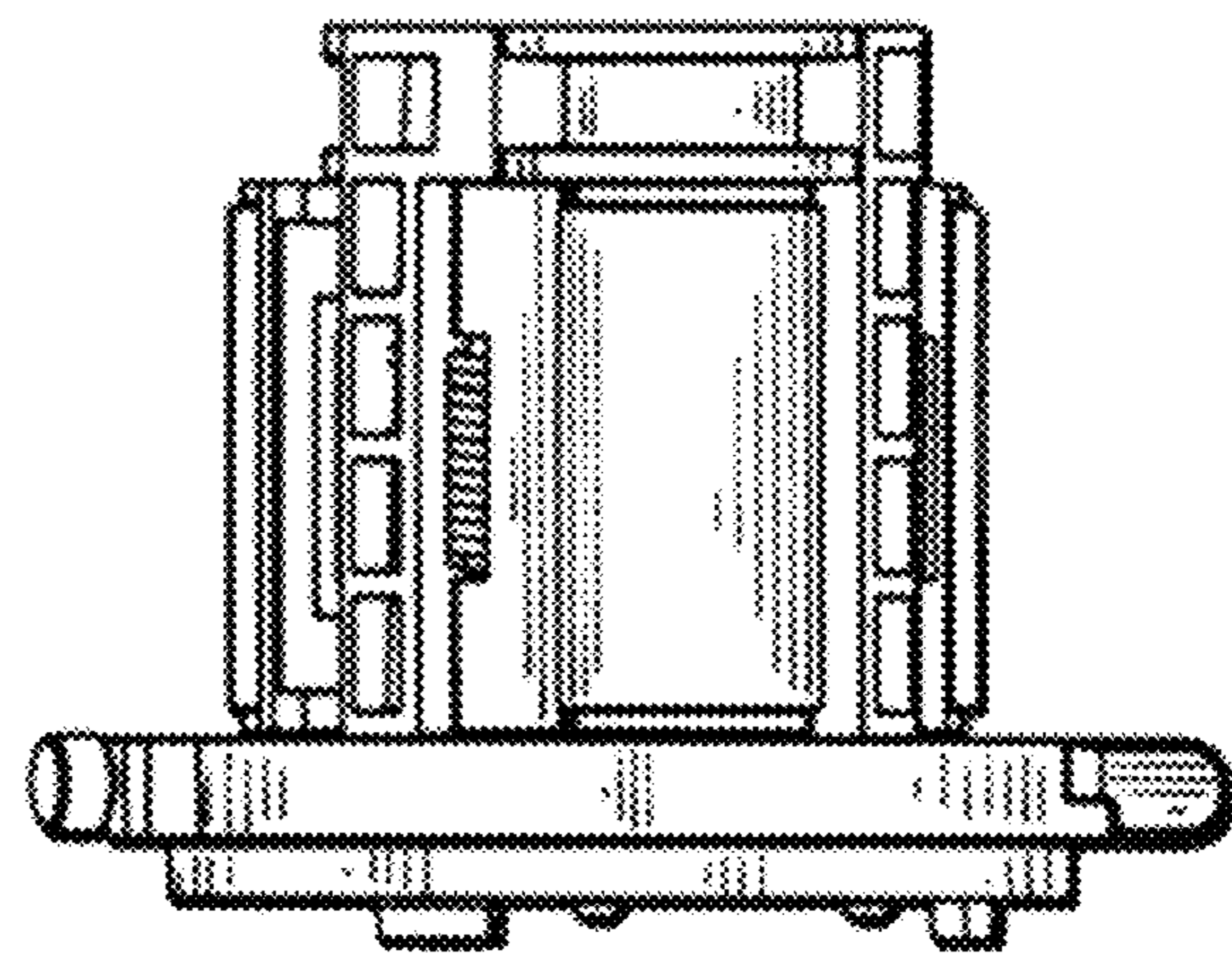


Fig. 4

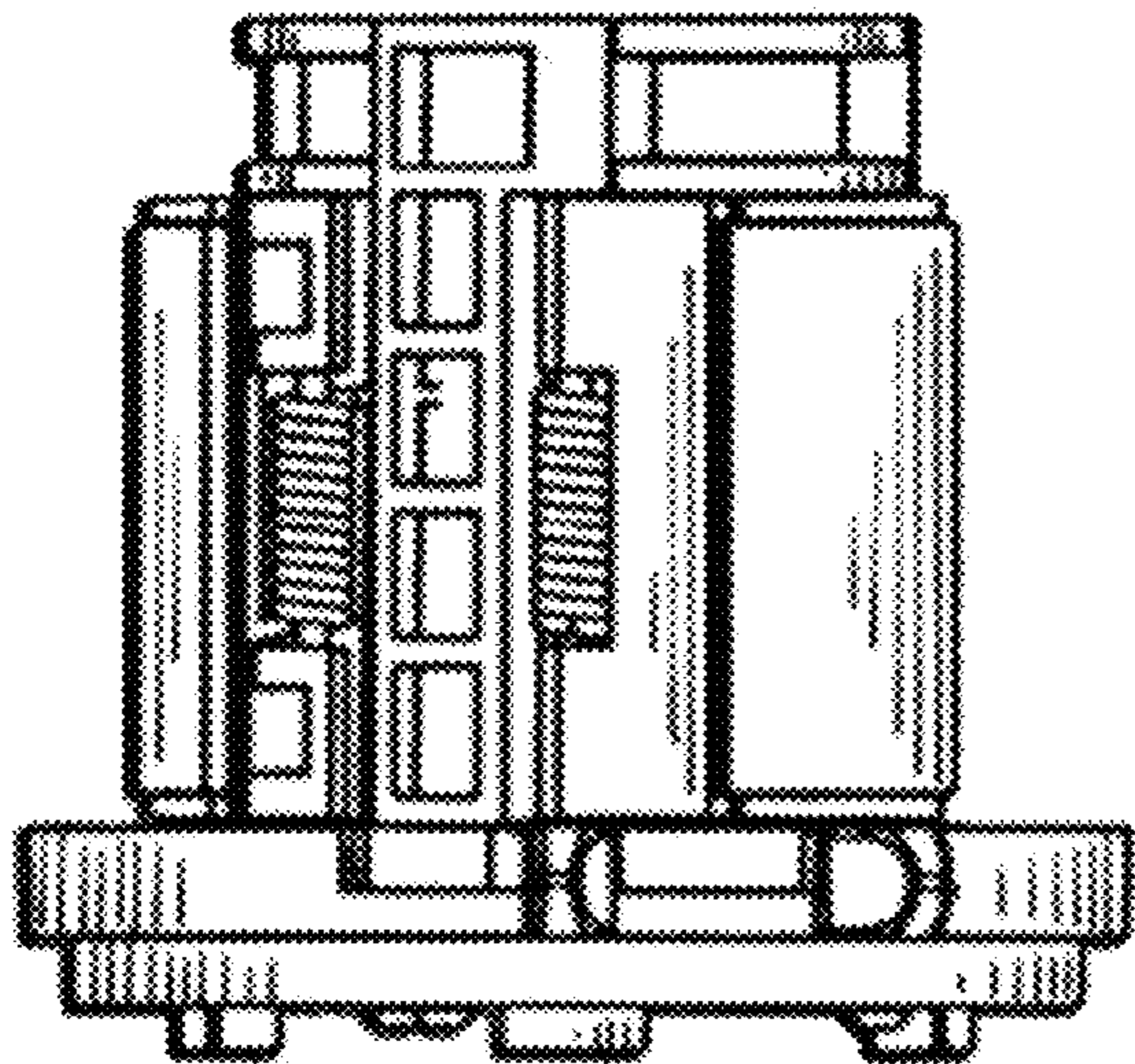


Fig. 5

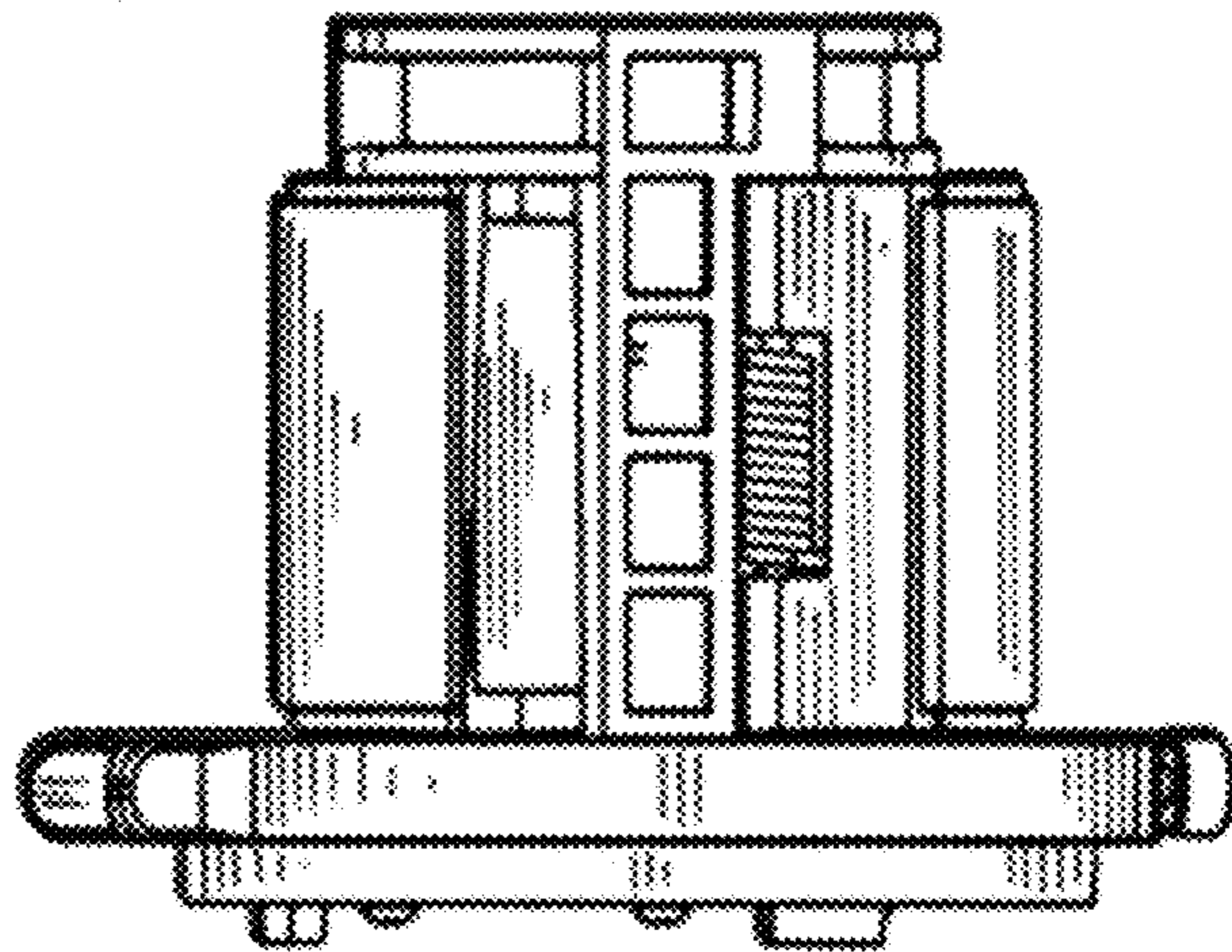


Fig. 6

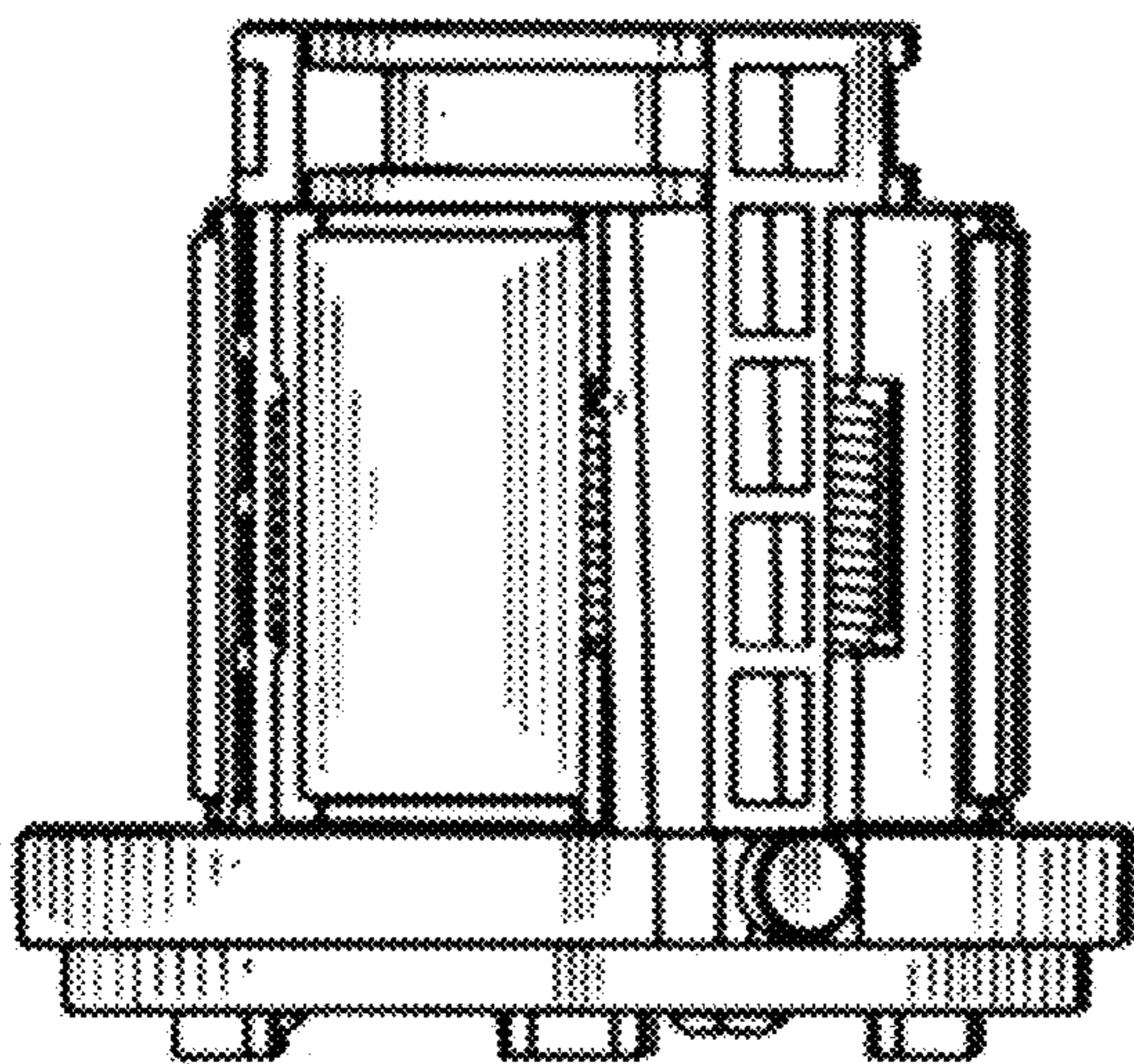


Fig. 7

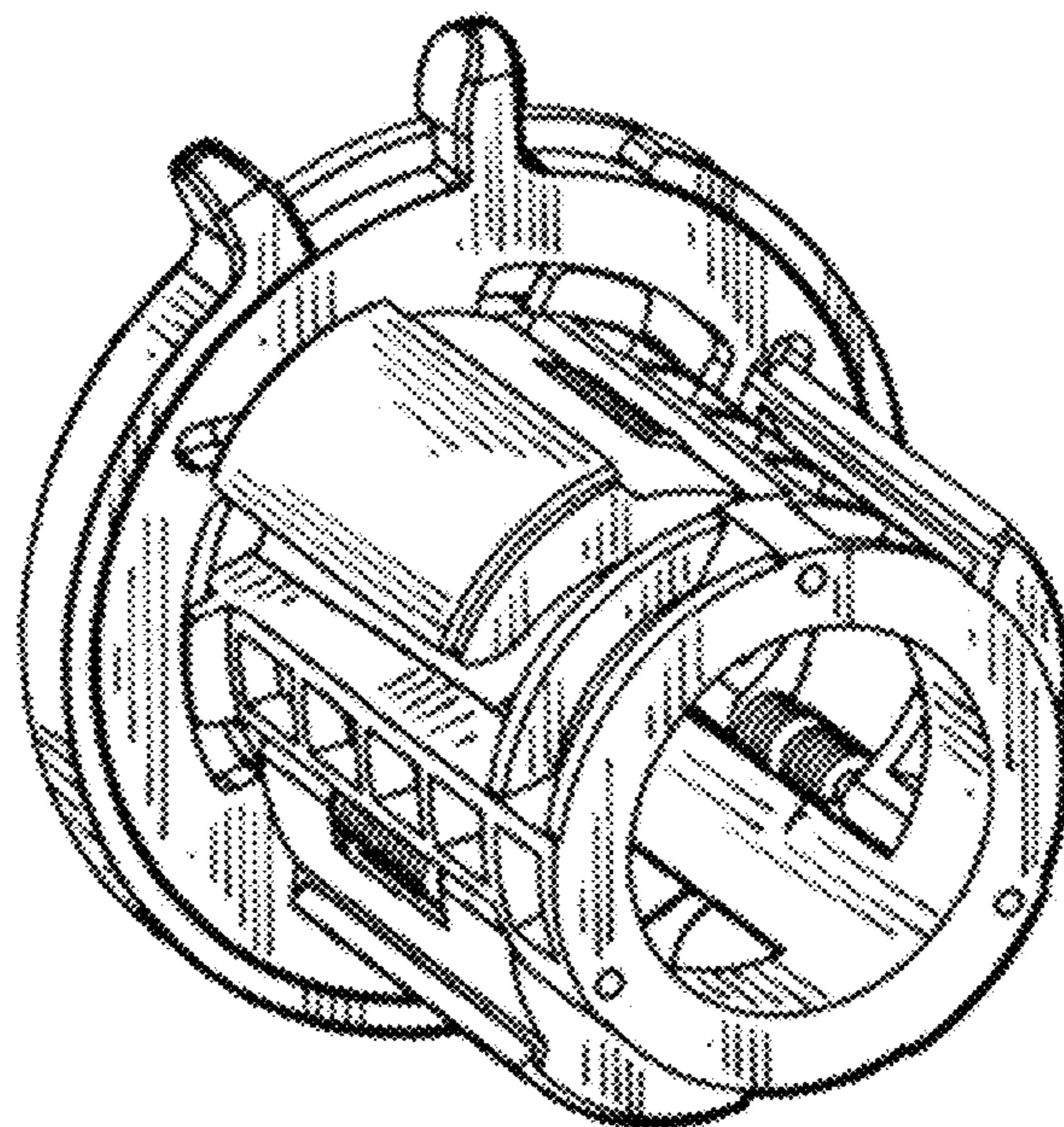


Fig. 8