



US00D739223S

(12) **United States Design Patent**
Paik et al.

(10) **Patent No.:** **US D739,223 S**

(45) **Date of Patent:** **** Sep. 22, 2015**

(54) **MAGNETIC TUBE CLIP**

(71) Applicants: **Jisook Paik**, Seoul (KR); **Nan Hee Paik**, Seoul (KR); **Ji Hye Paik**, Seoul (KR); **Ji Won Son**, Seoul (KR)

(72) Inventors: **Jisook Paik**, Seoul (KR); **Nan Hee Paik**, Seoul (KR); **Ji Hye Paik**, Seoul (KR); **Ji Won Son**, Seoul (KR)

(**) Term: **14 Years**

(21) Appl. No.: **29/441,348**

(22) Filed: **Jan. 3, 2013**

(30) **Foreign Application Priority Data**

Jul. 7, 2012 (KR) 30-2012-0033126

(51) **LOC (10) CL.** **08-08**

(52) **U.S. CL.**
USPC **D8/396**

(58) **Field of Classification Search**
USPC D8/394, 395, 396; D11/215, 216;
D20/43; 292/256, 256.63; 248/309.4,
248/309.1, 206.5; 428/542.2; 24/268, 272
CPC A47K 5/05; B60R 11/0241
See application file for complete search history.

(56) **References Cited**

U.S. PATENT DOCUMENTS

D162,336 S * 3/1951 Oest et al. D11/215
D205,923 S * 10/1966 McCormick et al. D20/43
3,276,800 A * 10/1966 Loudon et al. 403/397
D267,810 S * 2/1983 Orsos D20/43
D273,272 S * 4/1984 Roeser D8/367

4,821,988 A * 4/1989 Jimenez 248/227.3
D382,050 S * 8/1997 Hayes D23/366
D382,592 S * 8/1997 Maruchi D19/32
D391,152 S * 2/1998 Lane et al. D8/395
D425,127 S * 5/2000 Mackey D19/65
D426,577 S * 6/2000 Mackey et al. D19/89
D439,832 S * 4/2001 Crooks et al. D8/394
D447,936 S * 9/2001 Kacines D8/394
D545,183 S * 6/2007 French et al. D8/394
D566,539 S * 4/2008 Hicks D8/395
D610,901 S * 3/2010 Jones D8/394
D620,785 S * 8/2010 St. Germaine D8/395
D672,223 S * 12/2012 Thompson D8/356
D692,784 S * 11/2013 Anderssen et al. D10/70
D695,098 S * 12/2013 Hobson D8/395
D715,631 S * 10/2014 Szymanski D8/395
D721,615 S * 1/2015 Orange D11/215

* cited by examiner

Primary Examiner — John Windmuller

Assistant Examiner — Steven Czyz

(74) *Attorney, Agent, or Firm* — Novick, Kim & Lee, PLLC;
Jae Youn Kim

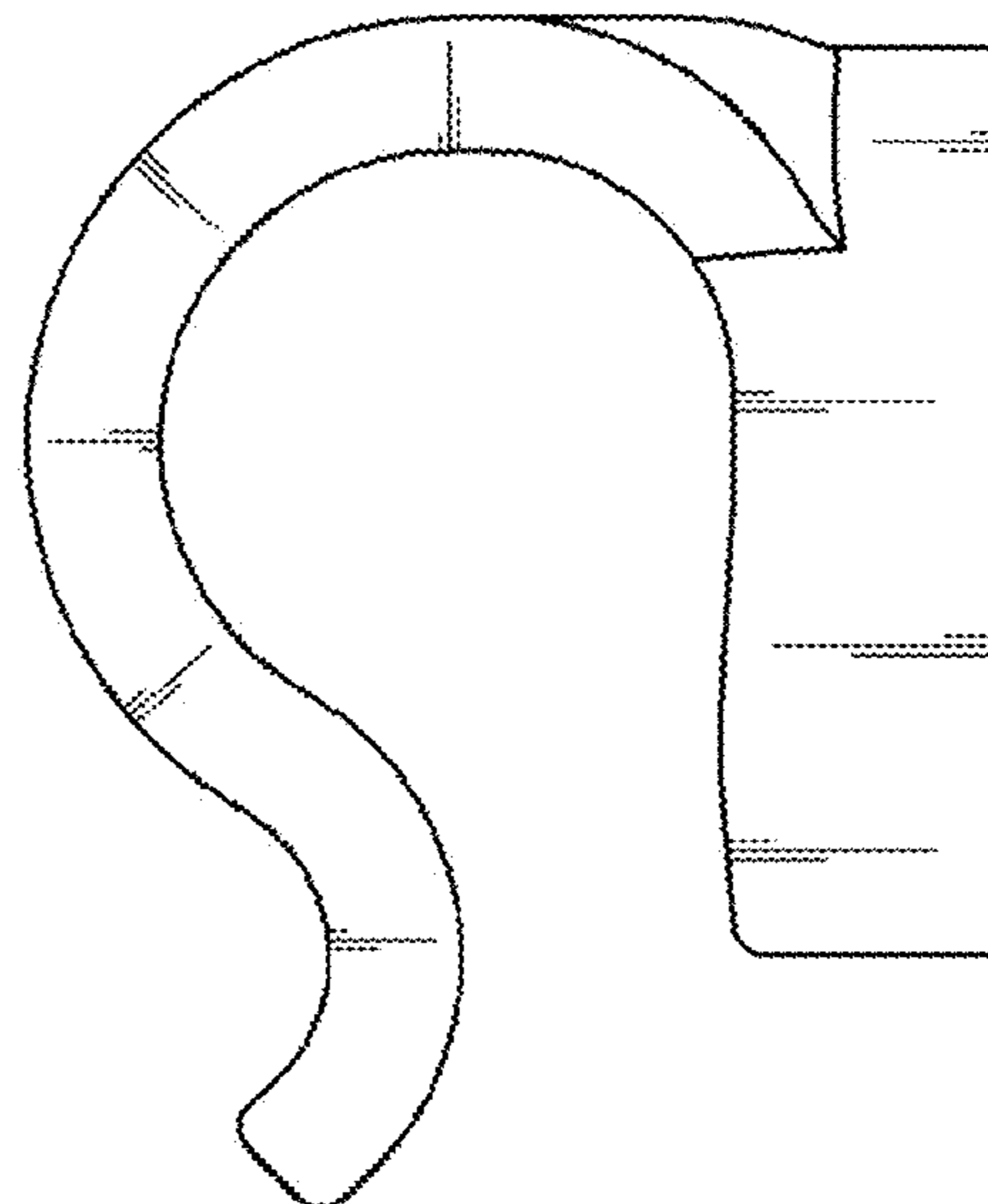
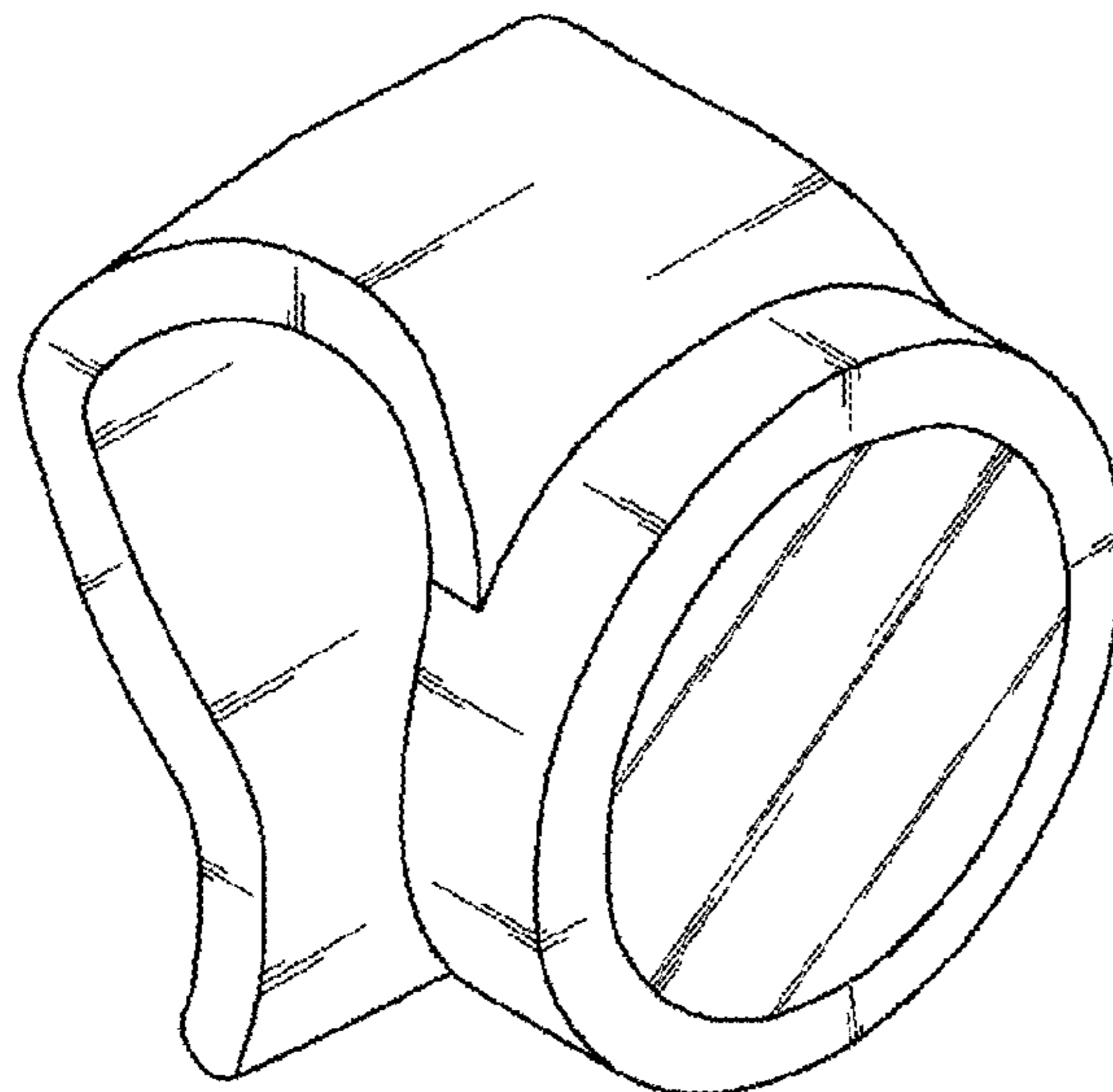
(57) **CLAIM**

We claim, the ornamental design for a magnetic tube clip, as shown and described.

DESCRIPTION

FIG. 1 is a perspective view of a magnetic tube clip, showing my new design;
FIG. 2 is a front elevational view thereof;
FIG. 3 is a rear elevational view thereof;
FIG. 4 is a left side elevational view thereof;
FIG. 5 is a right side elevational view thereof;
FIG. 6 is a top plan view thereof; and,
FIG. 7 is a bottom plan view thereof.

1 Claim, 4 Drawing Sheets



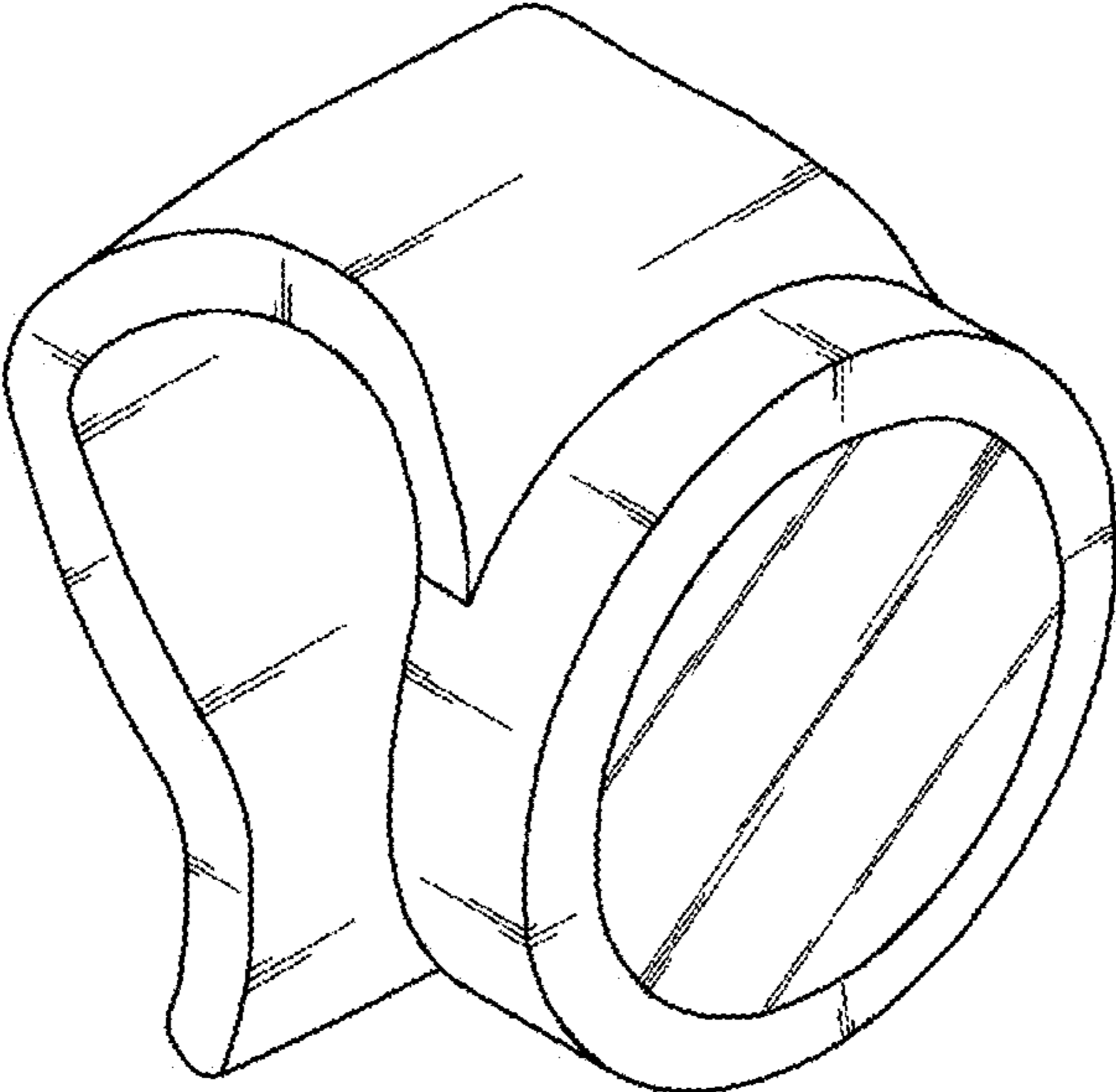


FIG. 1

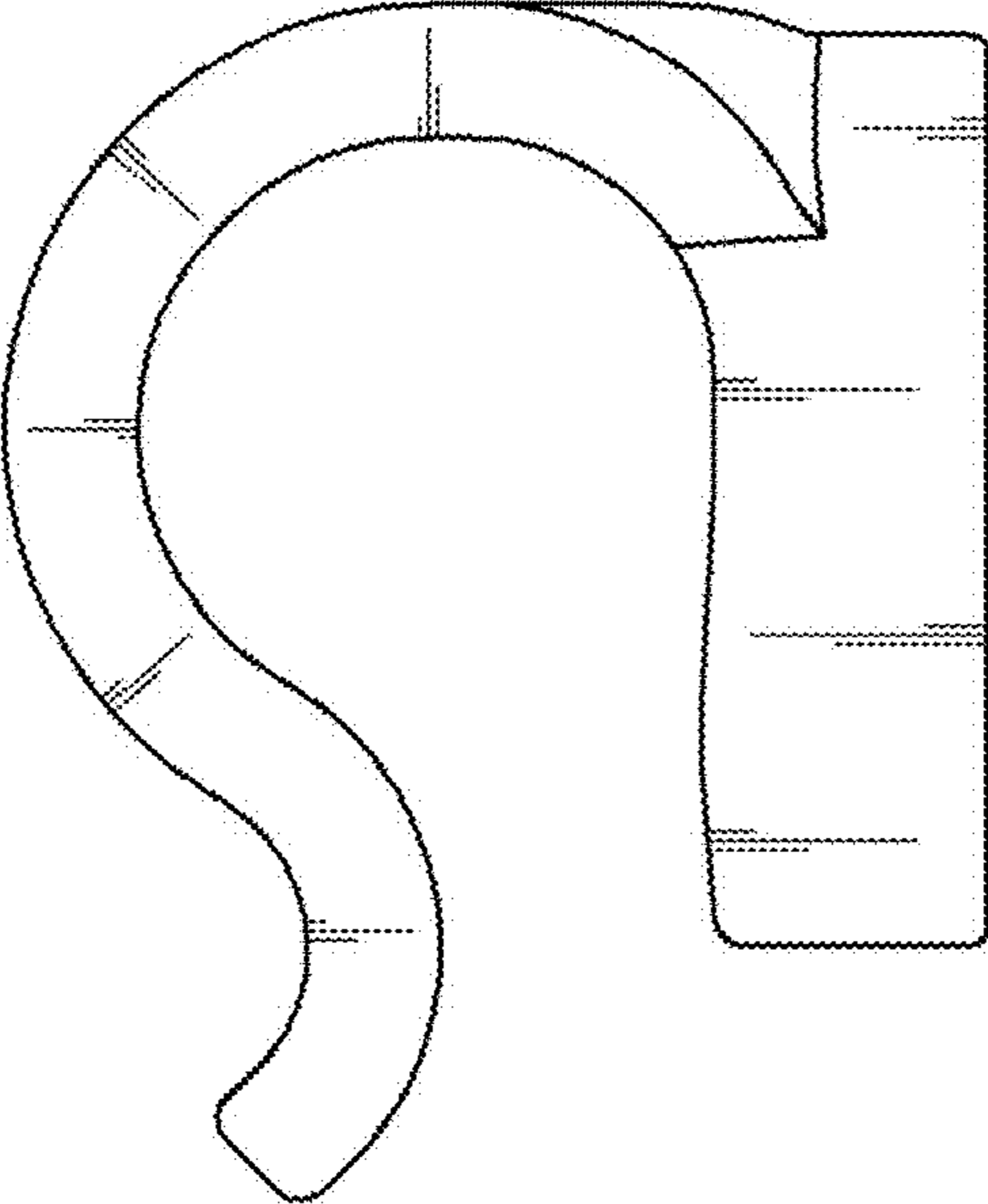


FIG. 2

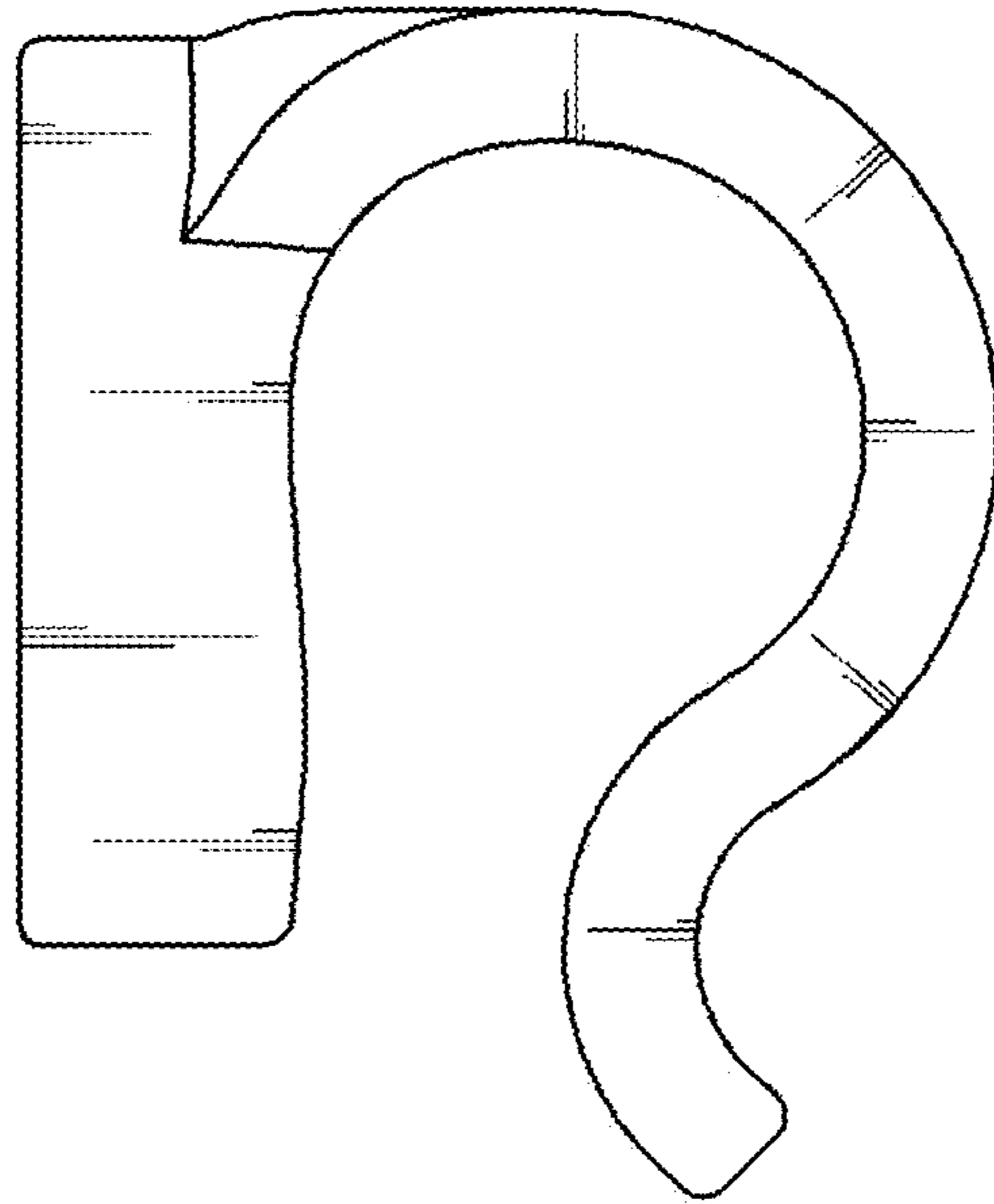


FIG. 3

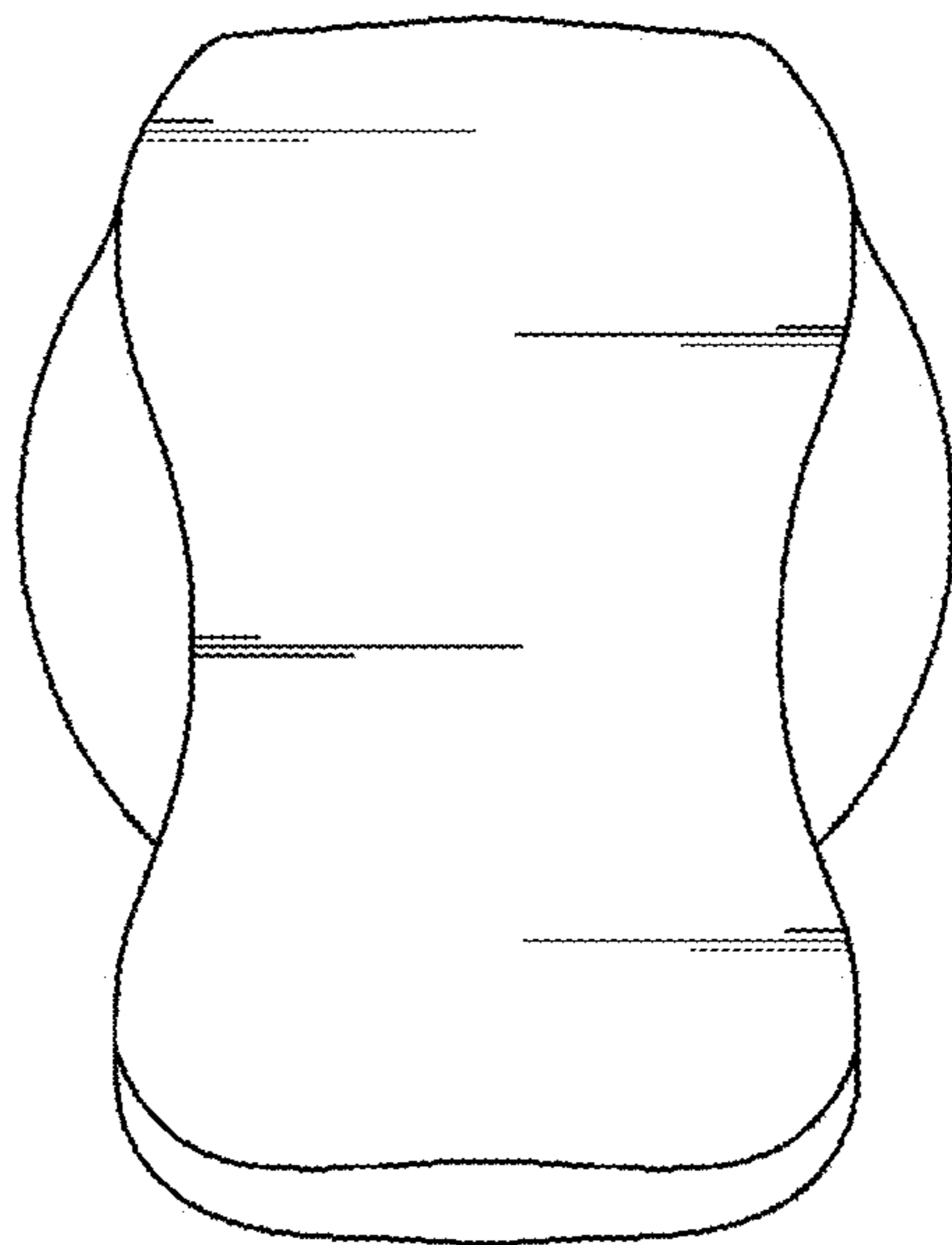


FIG. 4

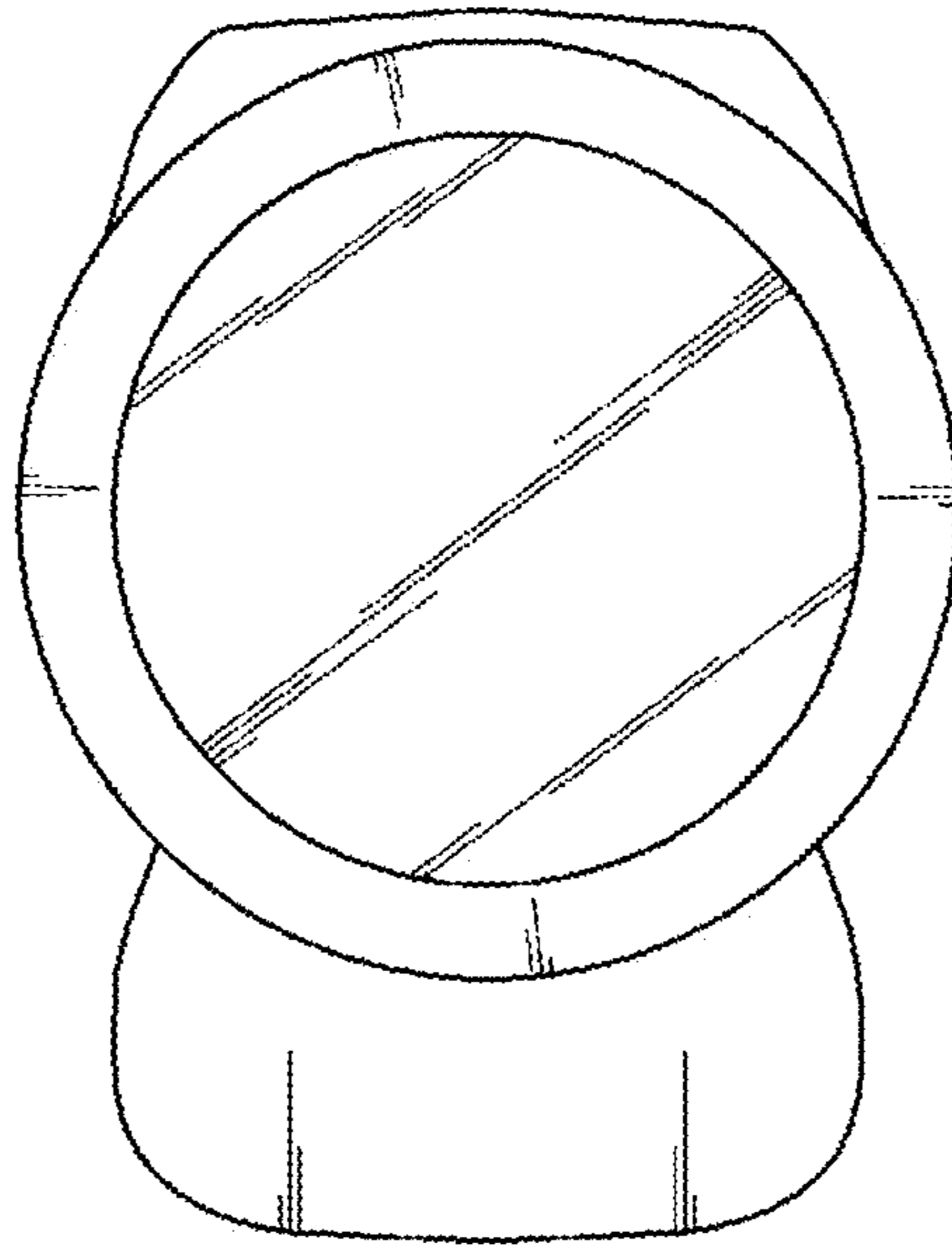


FIG. 5

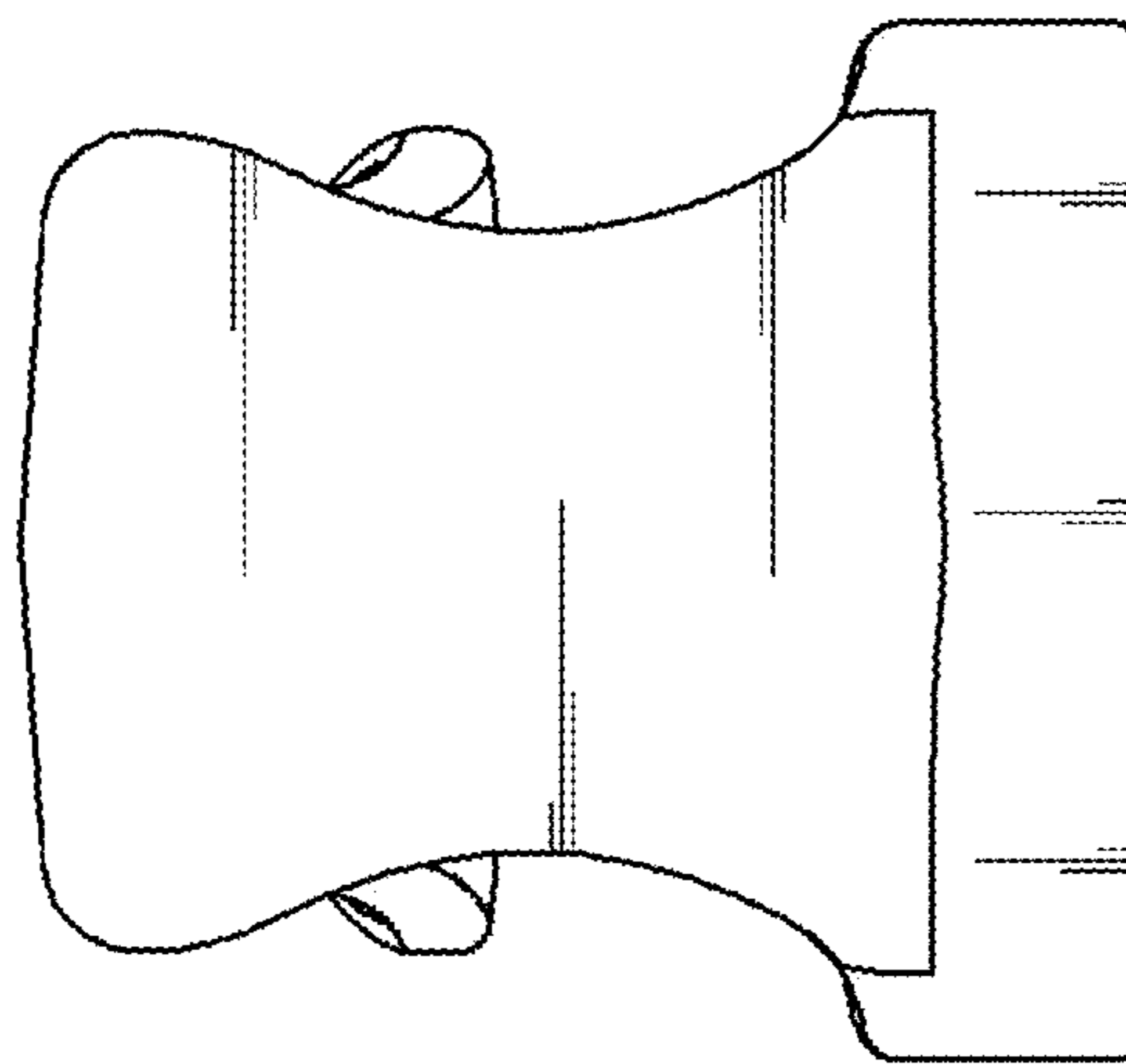


FIG. 6

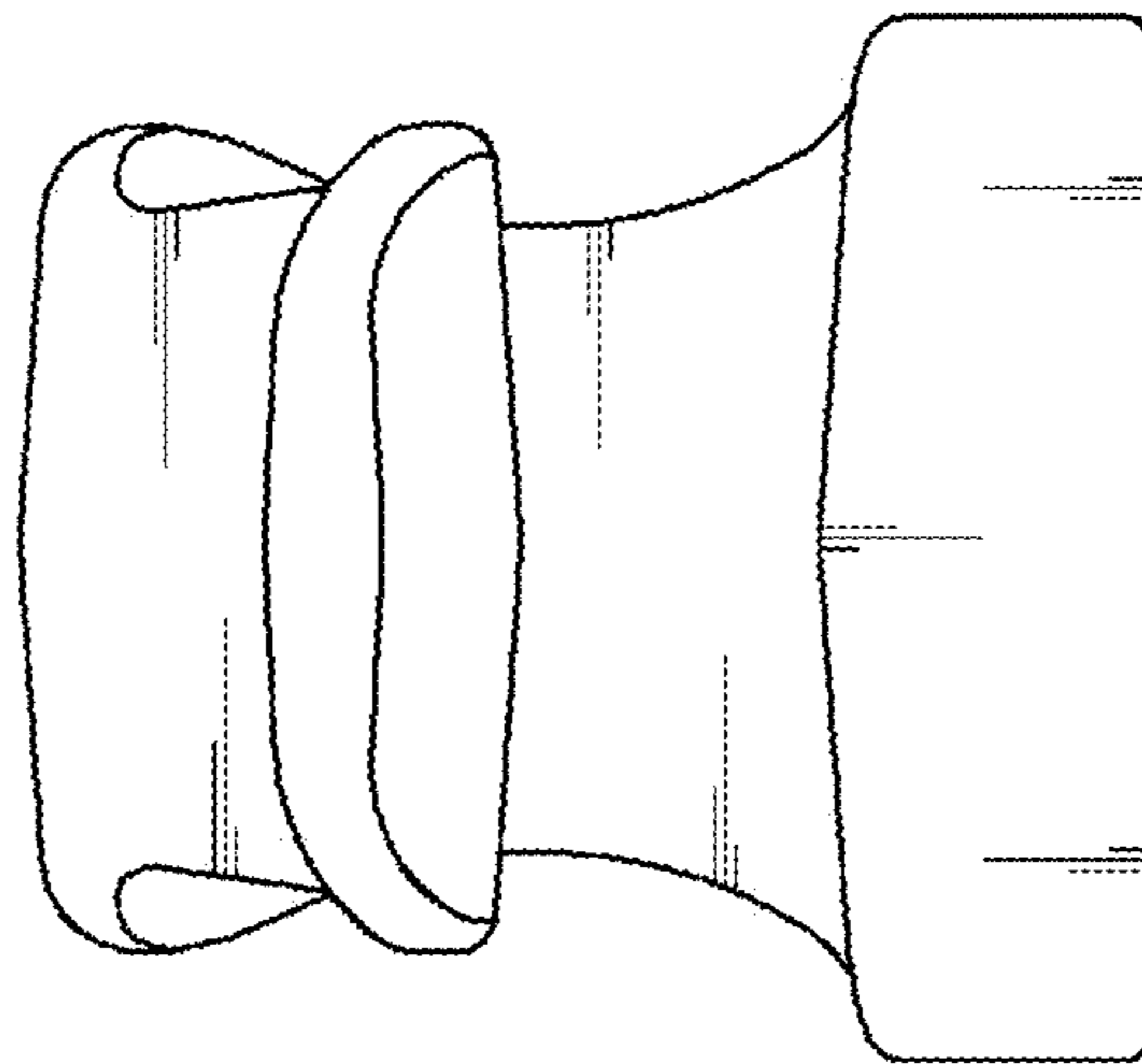


FIG. 7