



US00D739222S

(12) **United States Design Patent**  
**Chadbourne**

(10) **Patent No.:** **US D739,222 S**  
(45) **Date of Patent:** **\*\* Sep. 22, 2015**

(54) **TWO-PIECE MAGNETIC CLAMP**

**DESCRIPTION**

(71) Applicant: **Jeff Chadbourne**, Sacramento, CA (US)  
(72) Inventor: **Jeff Chadbourne**, Sacramento, CA (US)  
(\*\*) Term: **14 Years**  
(21) Appl. No.: **29/472,493**  
(22) Filed: **Nov. 13, 2013**  
(51) **LOC (10) Cl.** ..... **08-08**  
(52) **U.S. Cl.**  
USPC ..... **D8/394**  
(58) **Field of Classification Search**  
USPC ..... D8/72, 394-396, 499; D14/217, 223,  
D14/224, 433; D13/133; D11/87, 218;  
D23/260; 24/163 R, 196, 616, 303,  
24/115 R, 115 M, 712.9; 40/316, 661.01,  
40/661.05, 662  
CPC ..... H01B 7/368; G09F 7/04; G09F 3/00;  
G09F 3/14; A44B 11/24; A44B 11/10; A44C  
5/2047; A44D 2203/00; A43C 7/00  
See application file for complete search history.

(56) **References Cited**

**U.S. PATENT DOCUMENTS**

D309,094 S \* 7/1990 Donis et al. .... D8/354  
D356,520 S \* 3/1995 Bartky ..... D11/87

(Continued)

*Primary Examiner* — John Windmuller

*Assistant Examiner* — Steven Czyz

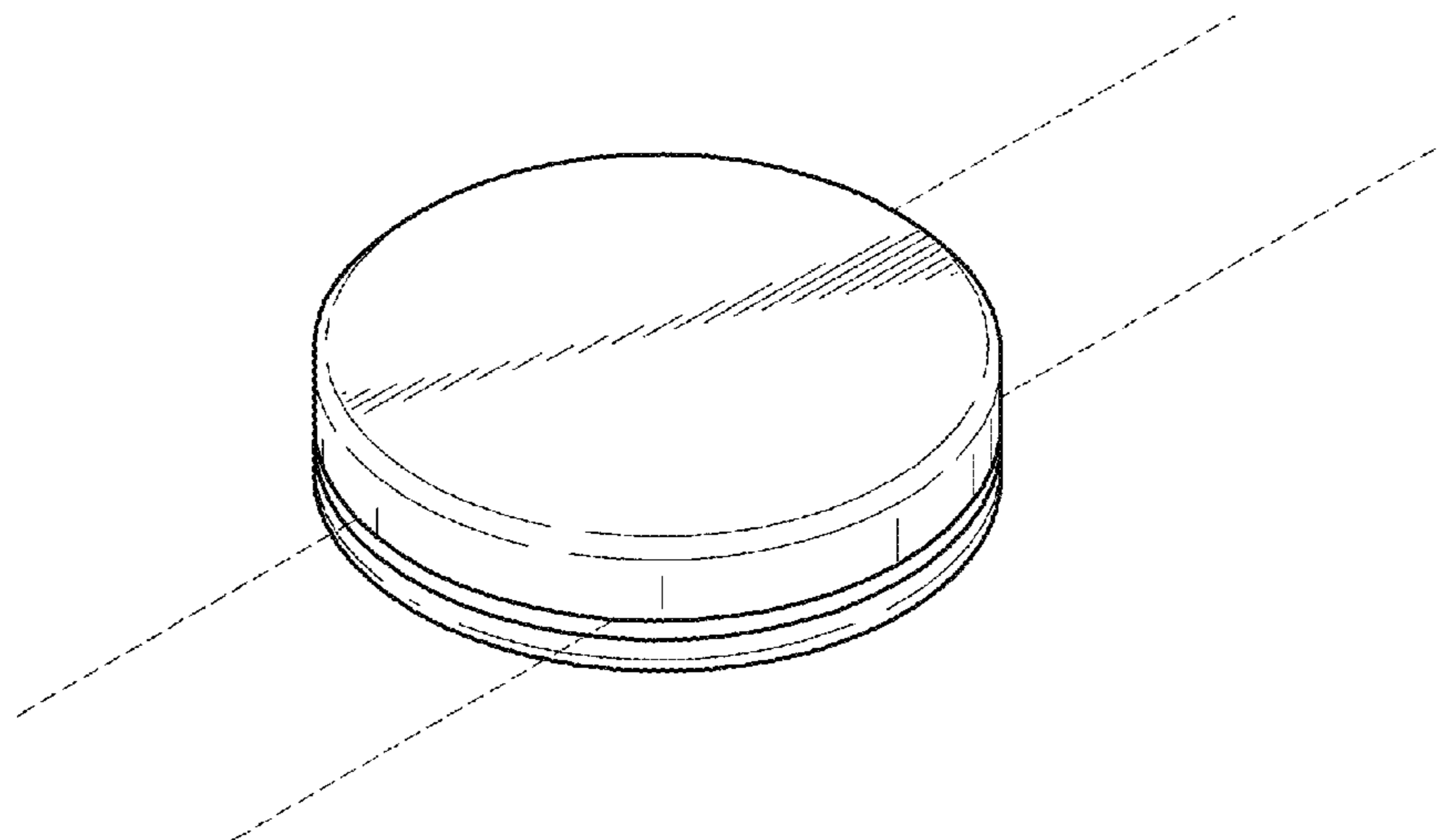
(74) *Attorney, Agent, or Firm* — Craig A. Simmermon

(57) **CLAIM**

The ornamental design for a two-piece magnetic clamp, as shown and described.

FIG. 1 is a perspective view of a first embodiment of a two-piece magnetic clamp, showing my new design;  
FIG. 2 is a top plan view thereof;  
FIG. 3 is a side elevation view thereof;  
FIG. 4 is a perspective view of the female half thereof;  
FIG. 5 is a top plan view of the female half thereof;  
FIG. 6 is a bottom plan view of the female half thereof;  
FIG. 7 is a side elevation view of the female half thereof;  
FIG. 8 is a perspective view of a male half thereof;  
FIG. 9 is a top plan view of a male half thereof;  
FIG. 10 is a bottom plan view of a male half thereof;  
FIG. 11 is a side elevation view of a male half thereof;  
FIG. 12 is a perspective view of a second embodiment;  
FIG. 13 is a top plan view of a female half thereof;  
FIG. 14 is a bottom plan view of a female half thereof;  
FIG. 15 is a side elevation view of a female half thereof;  
FIG. 16 is a perspective view of a male half thereof;  
FIG. 17 is a top plan view of a male half thereof;  
FIG. 18 is a bottom plan view of a male half thereof;  
FIG. 19 is a front elevation view of a male half thereof;  
FIG. 20 is a side elevation view of a male half thereof;  
FIG. 21 is a perspective view of a third embodiment;  
FIG. 22 is a top plan view of a female half thereof;  
FIG. 23 is a bottom plan view of a female half thereof;  
FIG. 24 is a side elevation view of a female half thereof;  
FIG. 25 is a perspective view of a male half thereof;  
FIG. 26 is a top plan view of a male half thereof;  
FIG. 27 is a bottom plan view of a male half thereof;  
FIG. 28 is a front elevation view of a male half thereof; and,  
FIG. 29 is a side elevation view of a male half thereof.  
The broken lines depict environment that forms no part of the claimed design.

**1 Claim, 7 Drawing Sheets**



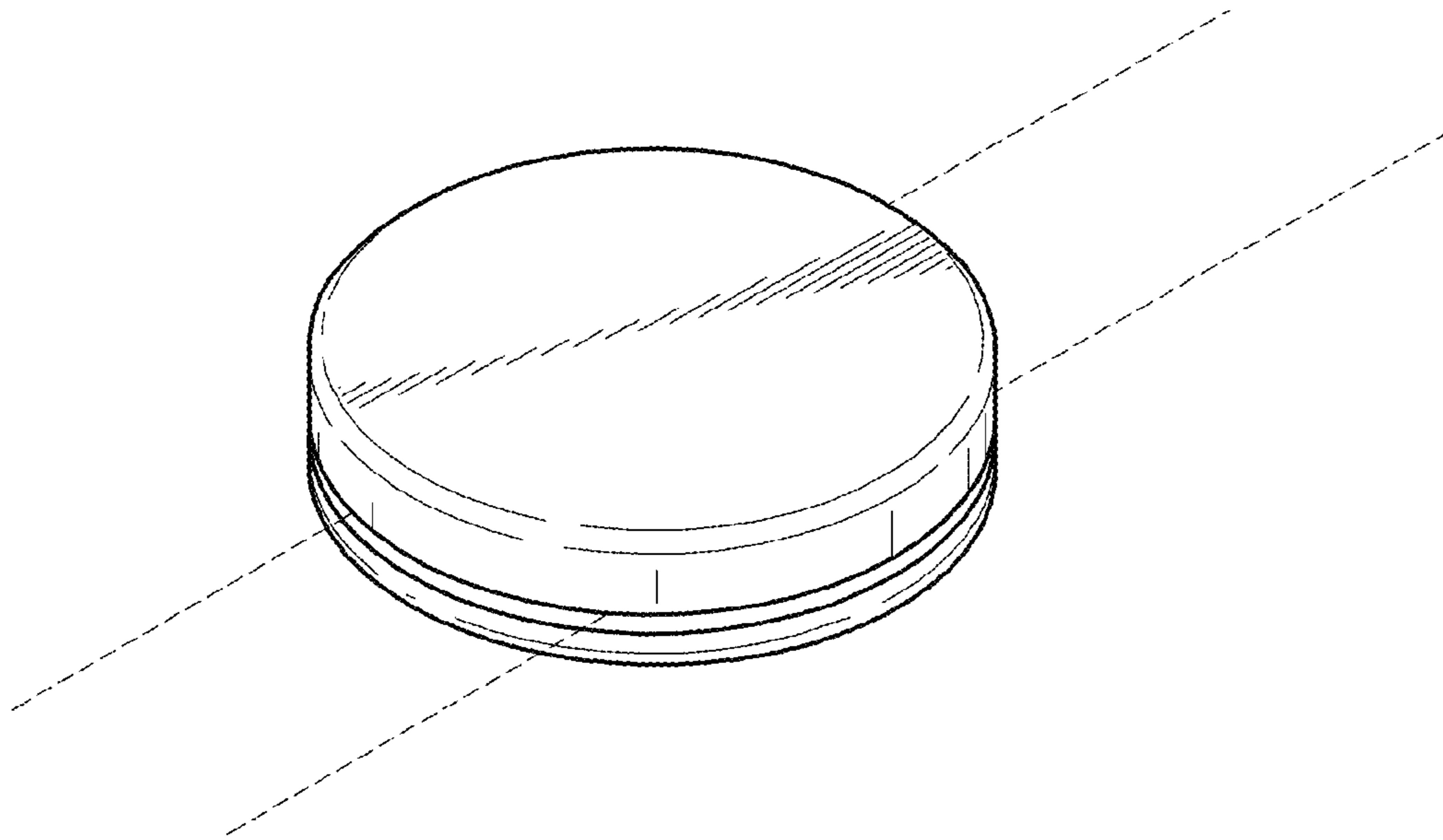
(56)

References Cited

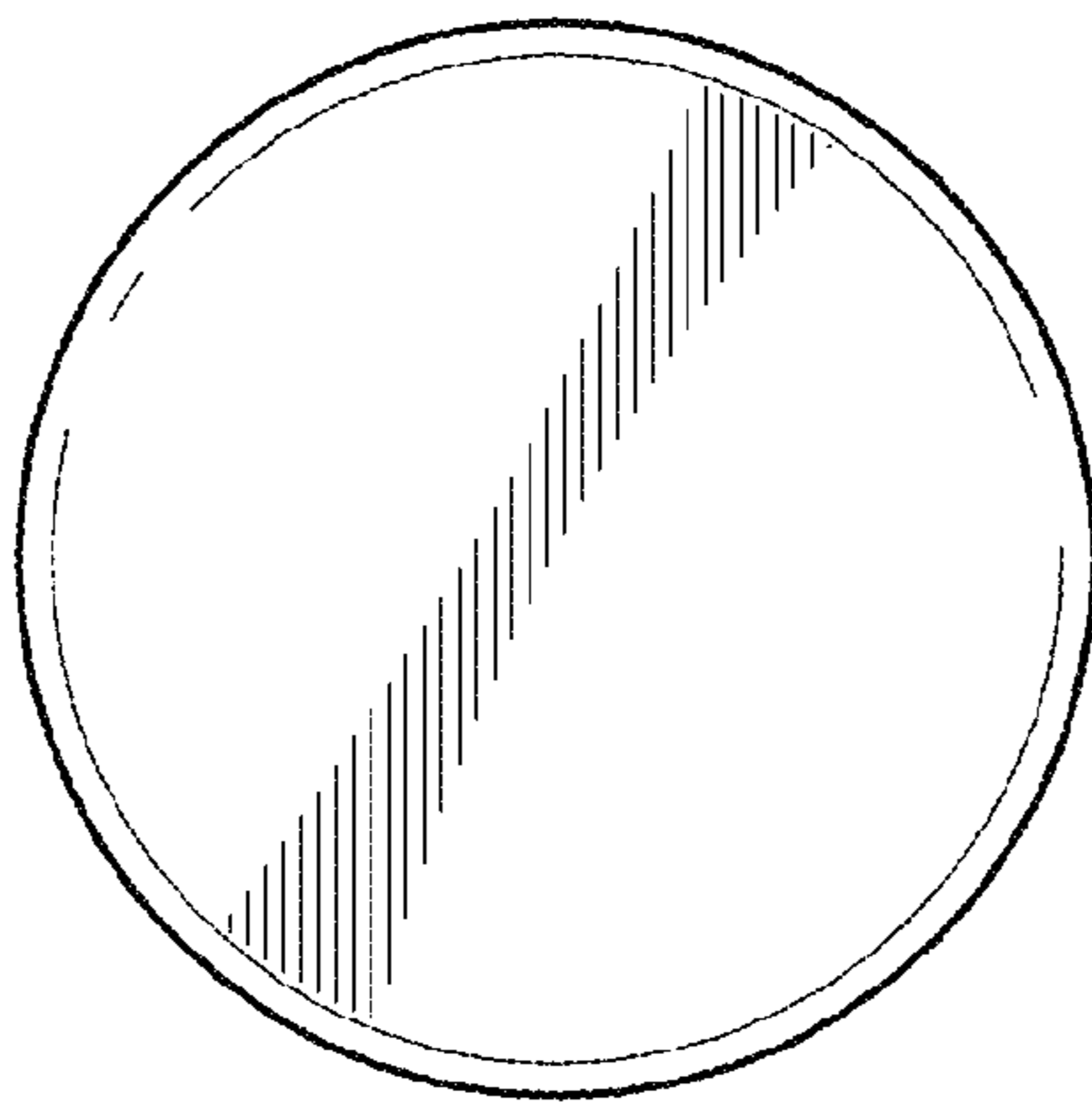
U.S. PATENT DOCUMENTS

D402,538 S *	12/1998	Wagter et al. ....	D8/358	D610,549 S *	2/2010	Baker .....	D13/154
D424,924 S *	5/2000	Ackerman .....	D8/396	7,654,484 B2 *	2/2010	Mogensen et al. ....	242/402
D433,649 S *	11/2000	Buettell .....	D11/200	D616,032 S *	5/2010	Maraia .....	D20/28
D477,776 S *	7/2003	Pontaoe .....	D8/396	7,854,750 B2 *	12/2010	Bonutti et al. ....	606/232
D526,278 S *	8/2006	Heary, Sr. ....	D13/154	D631,730 S *	2/2011	Skillman .....	D8/356
D585,432 S *	1/2009	Baker .....	D14/223	D631,780 S *	2/2011	Levy .....	D11/87
D585,433 S *	1/2009	Baker .....	D14/223	D647,496 S *	10/2011	Tung .....	D13/183
D589,328 S *	3/2009	Edge .....	D8/356	D658,094 S *	4/2012	Dunn .....	D11/184
D599,478 S *	9/2009	Bizup et al. ....	D24/128	D670,995 S *	11/2012	Stieler .....	D8/356
D607,313 S *	1/2010	Larocque .....	D8/394	8,955,356 B1 *	2/2015	Smith .....	63/40
				2005/0278903 A1 *	12/2005	Dunaye .....	24/303
				2015/0113843 A1 *	4/2015	Berry .....	40/600

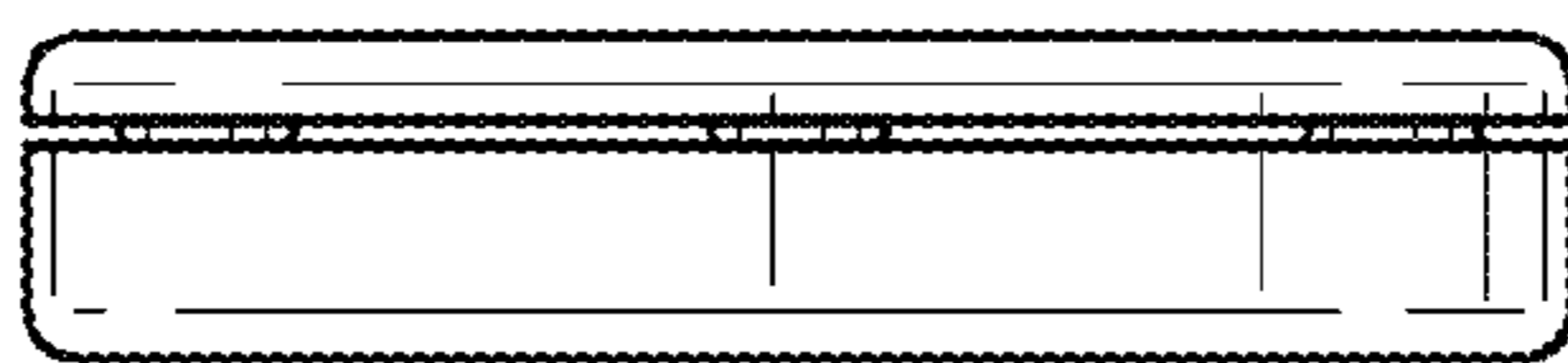
\* cited by examiner



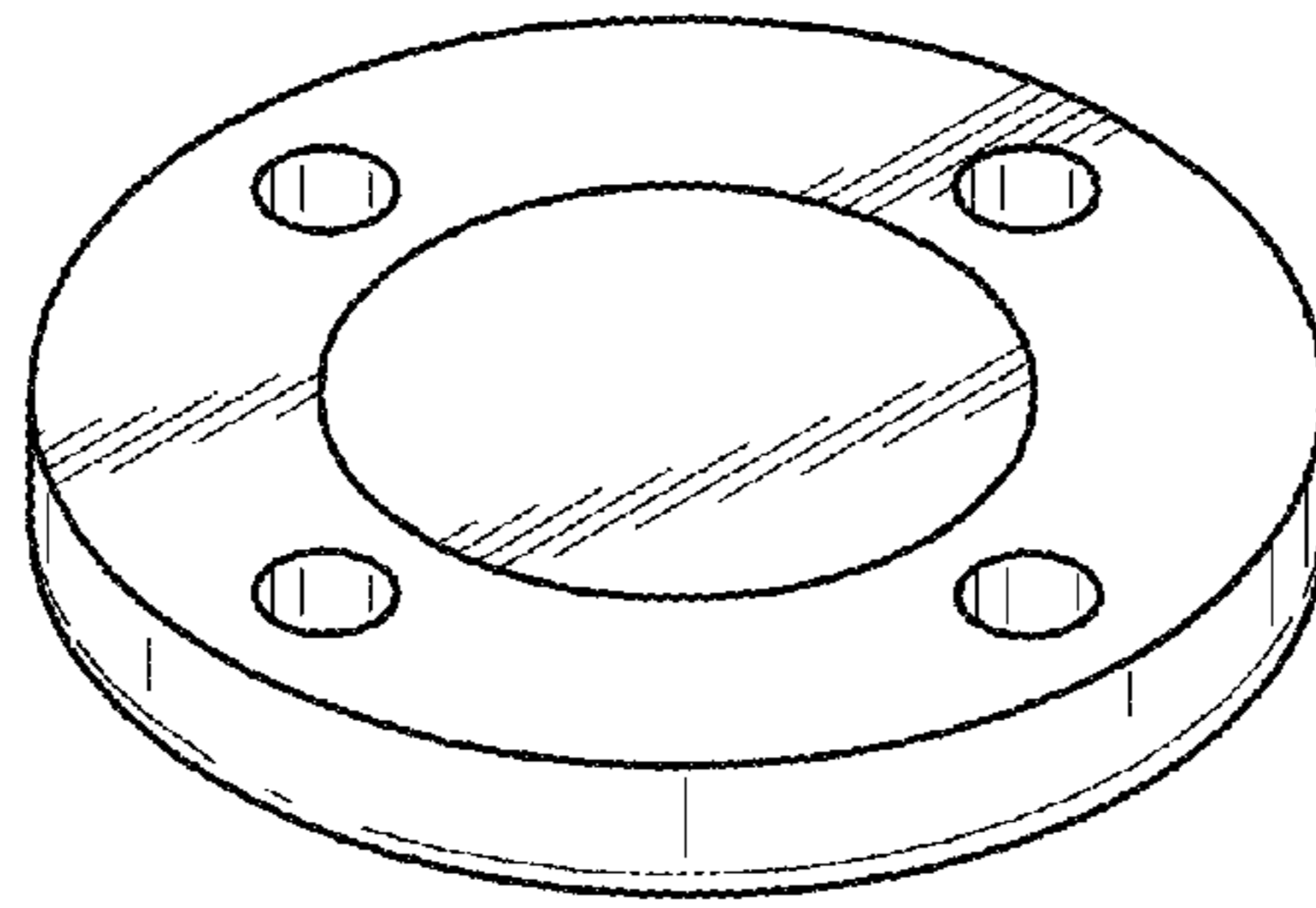
**FIG. 1**



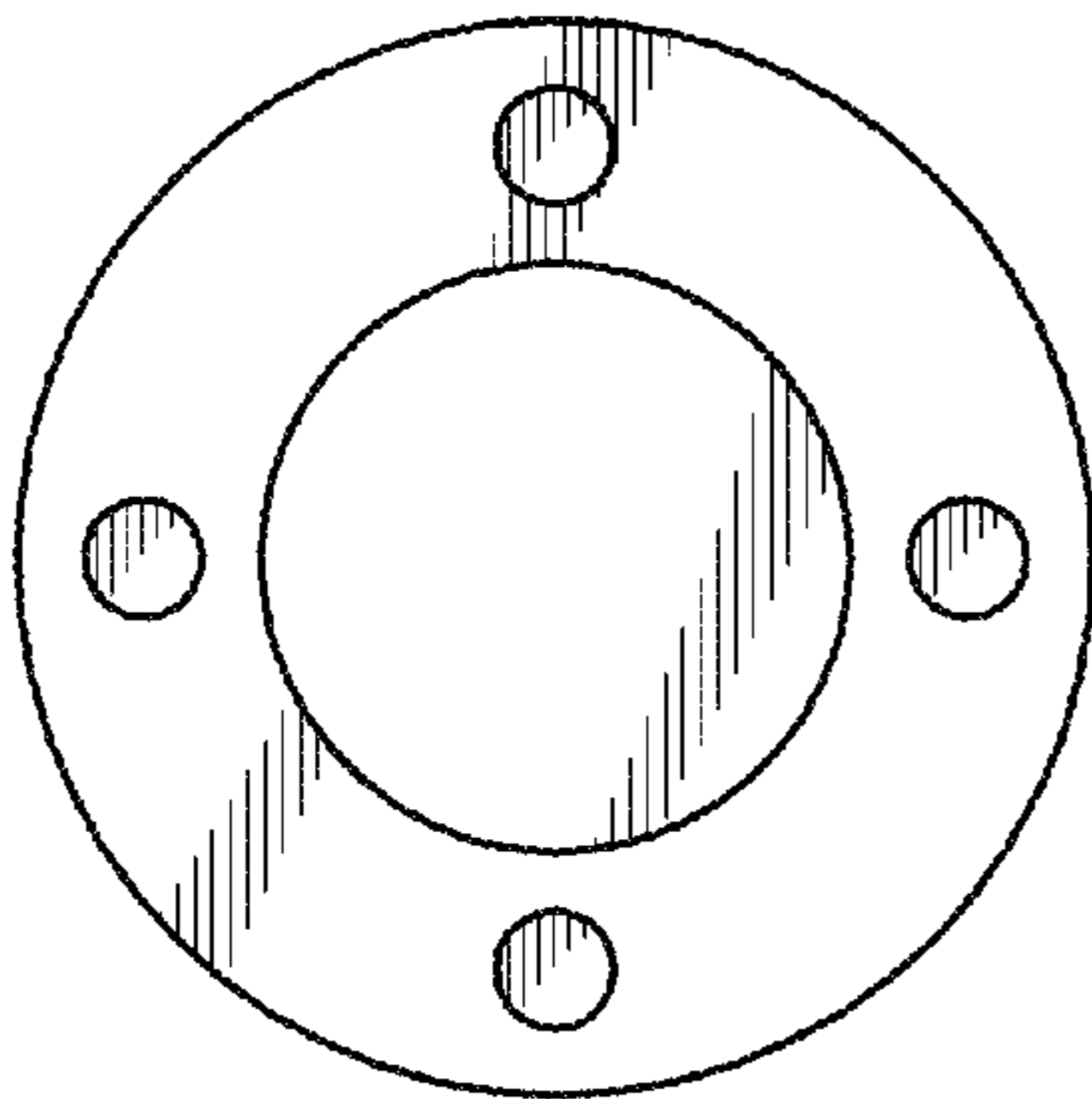
**FIG. 2**



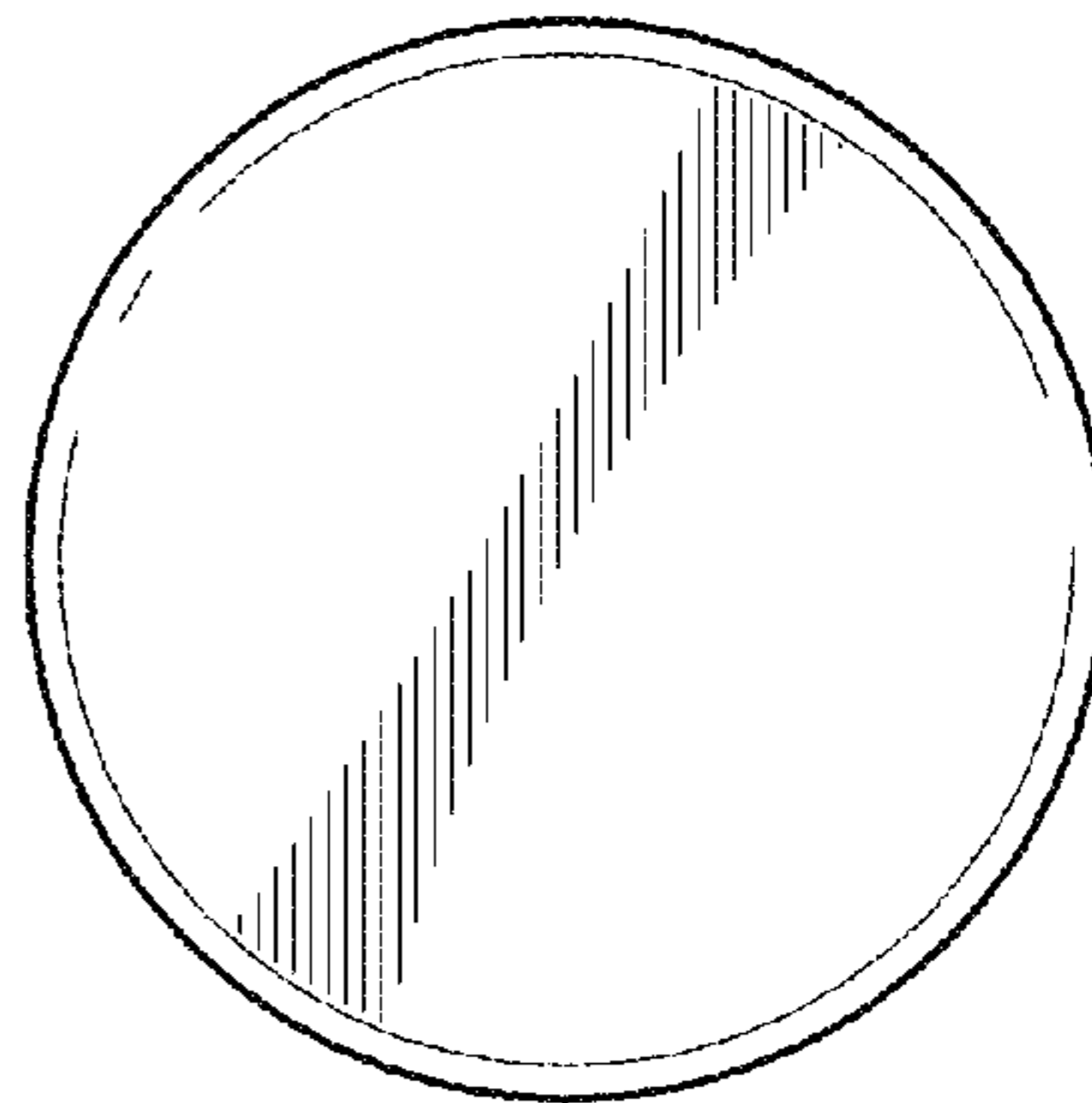
**FIG. 3**



**FIG. 4**



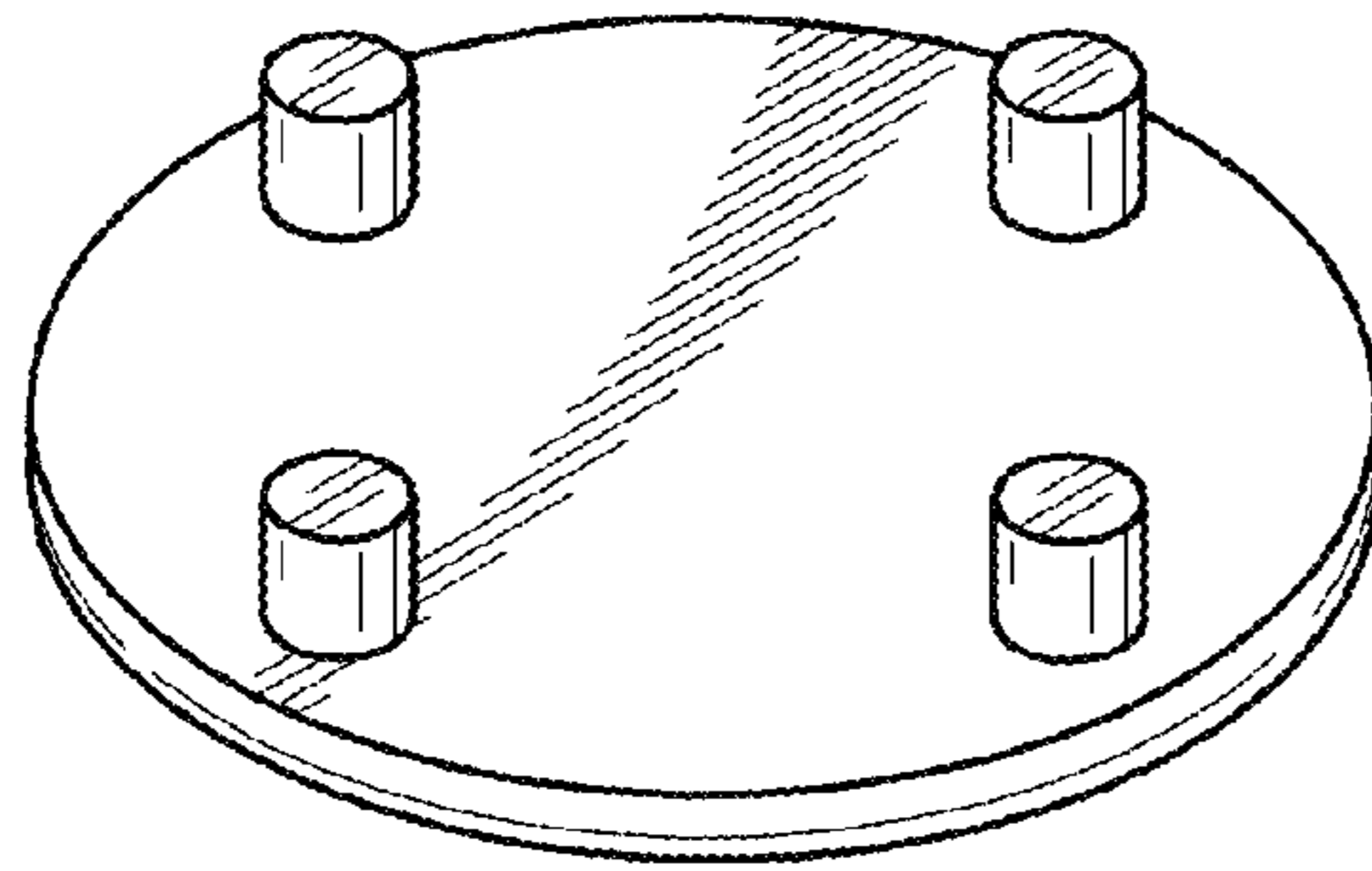
**FIG. 5**



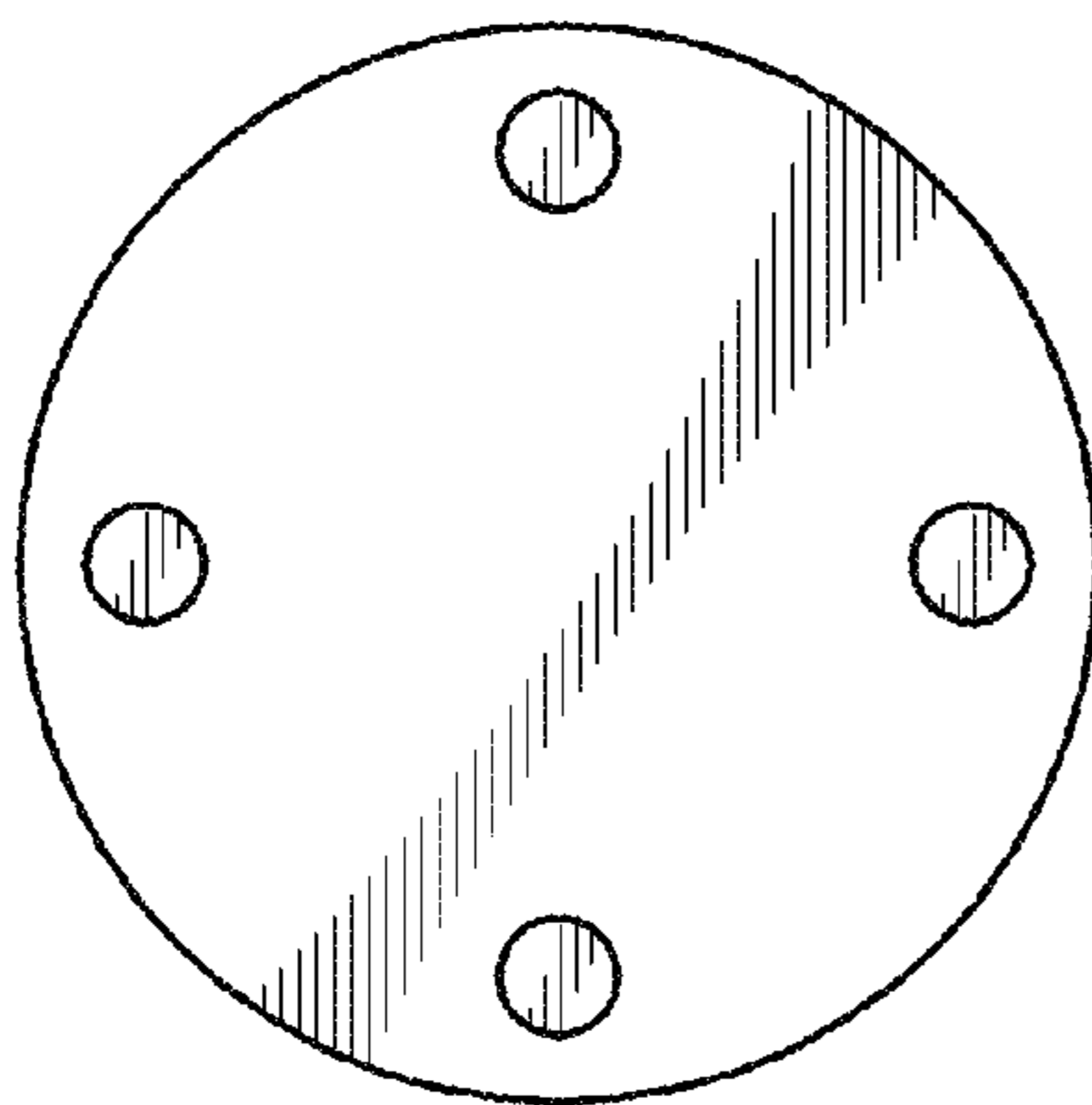
**FIG. 6**



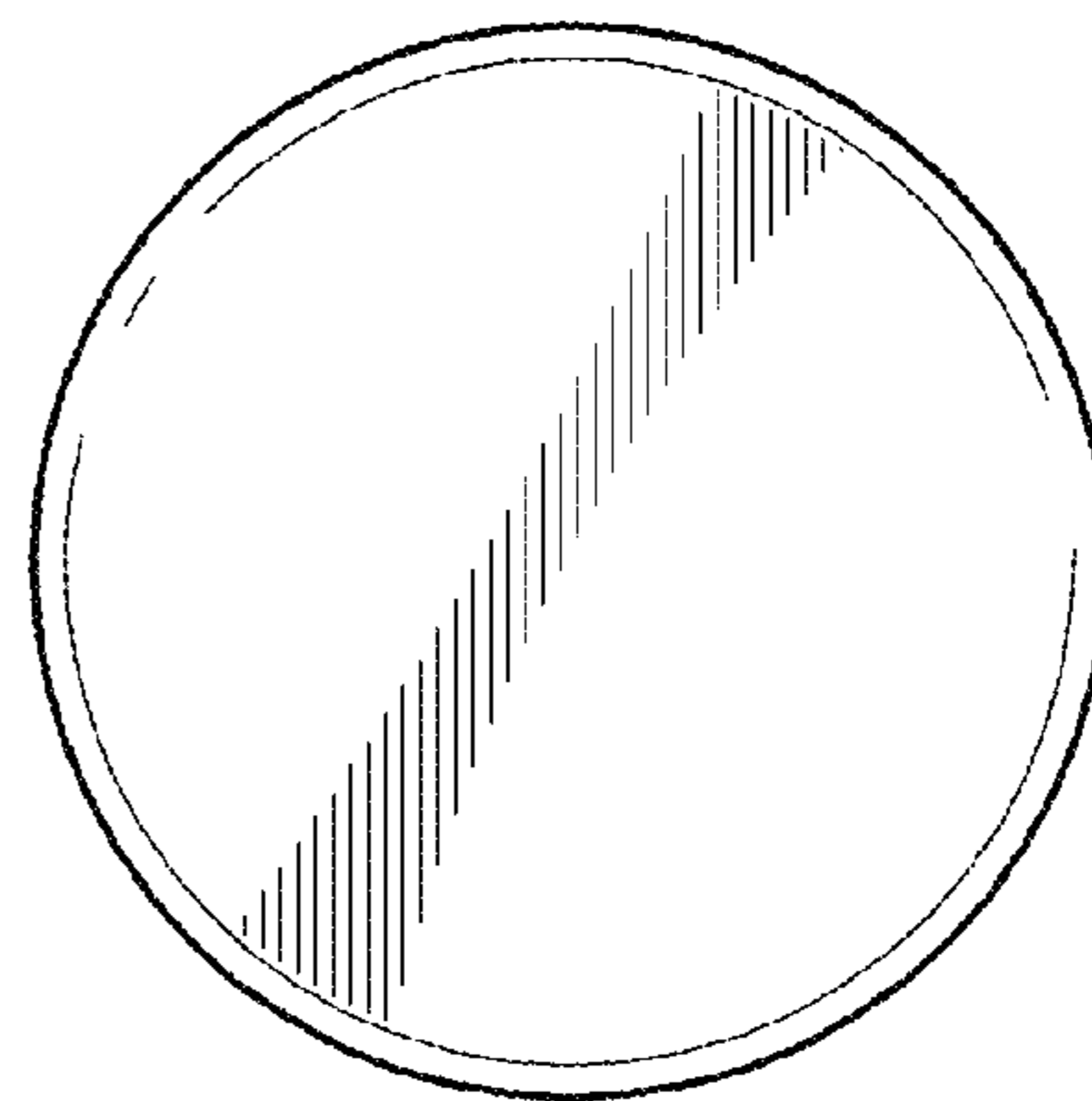
**FIG. 7**



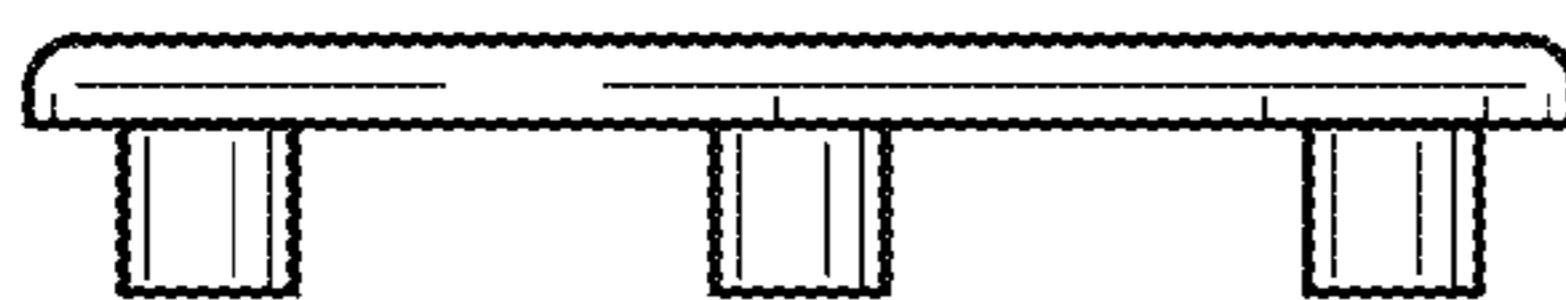
**FIG. 8**



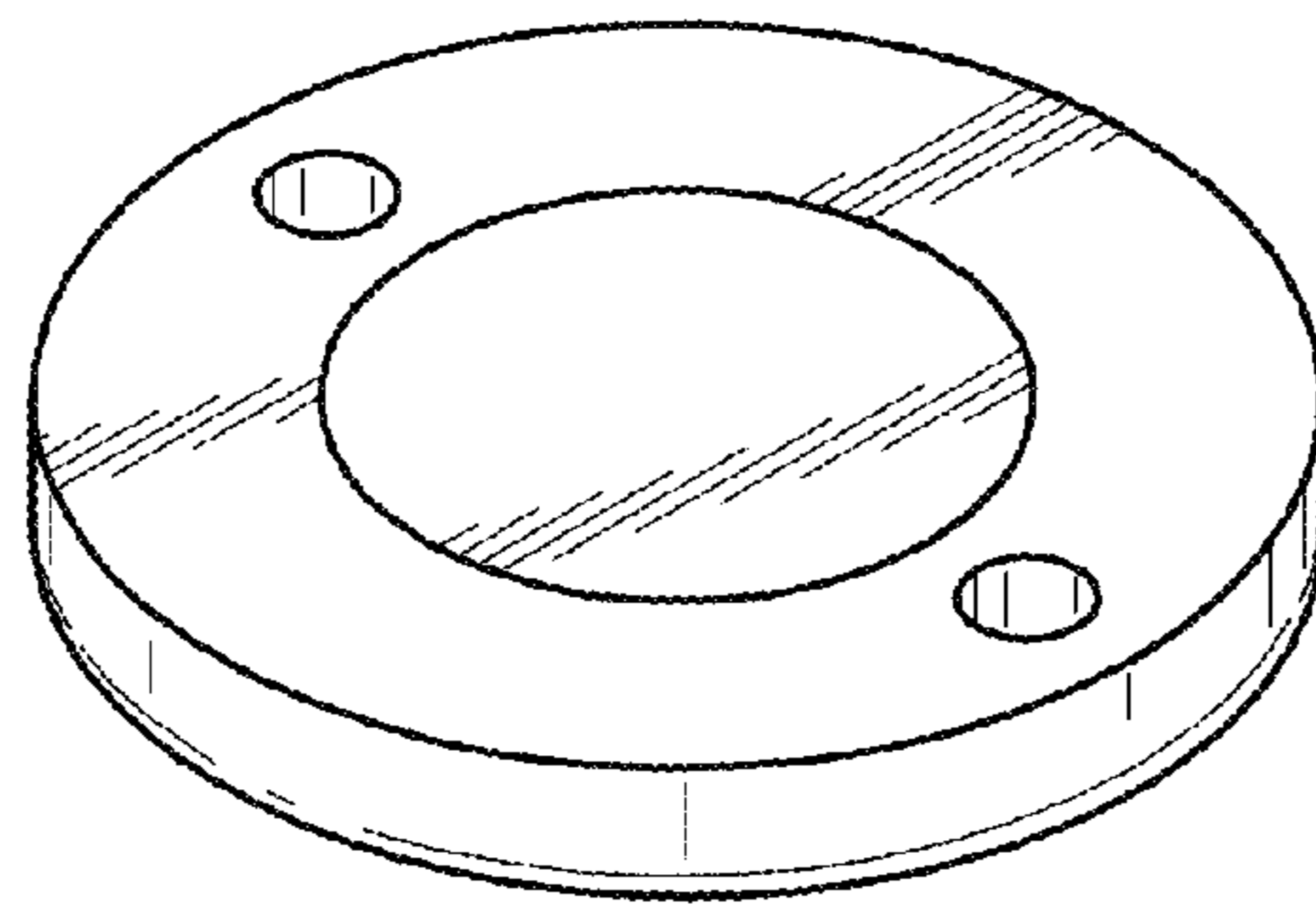
**FIG. 9**



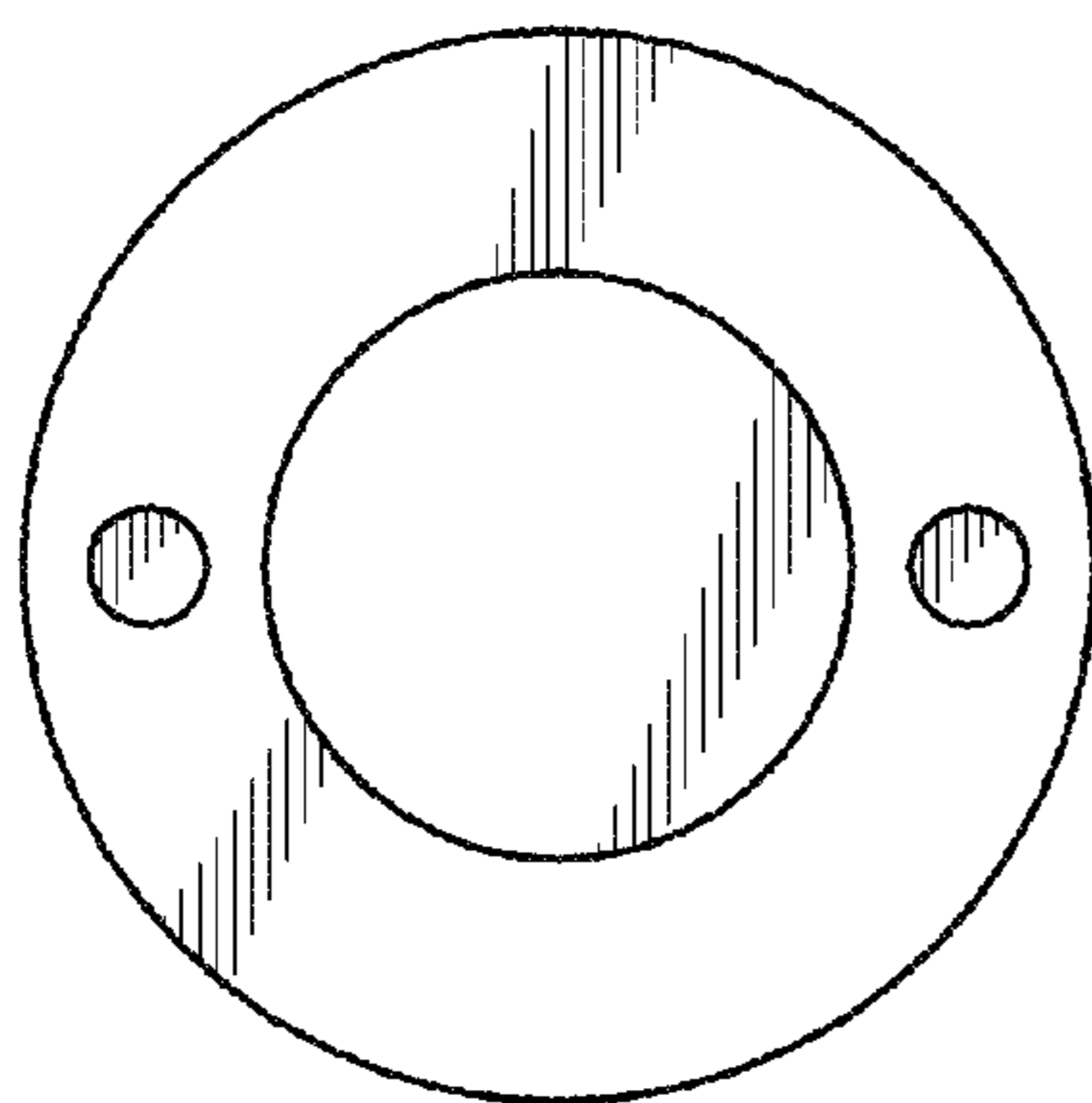
**FIG. 10**



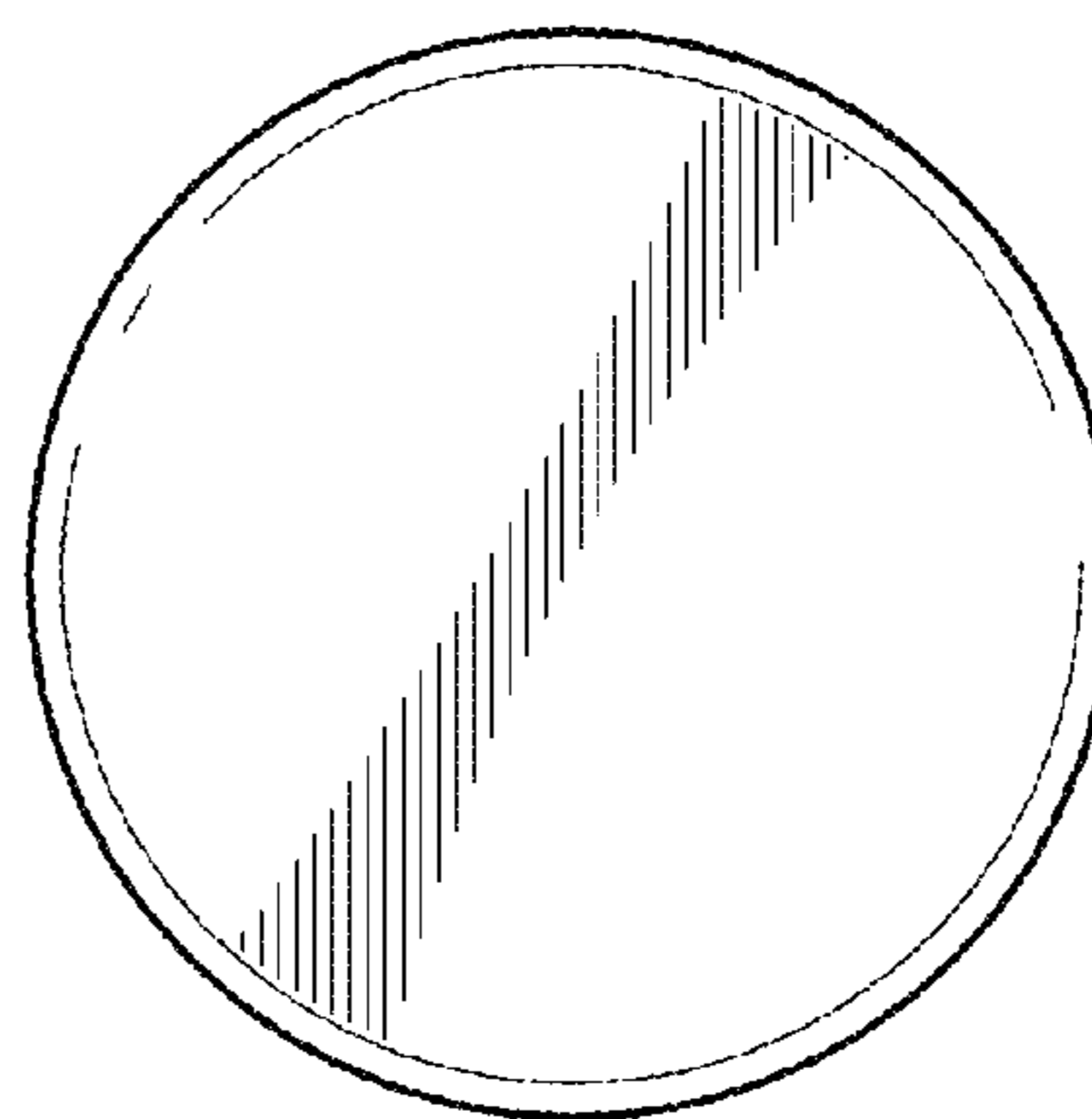
**FIG. 11**



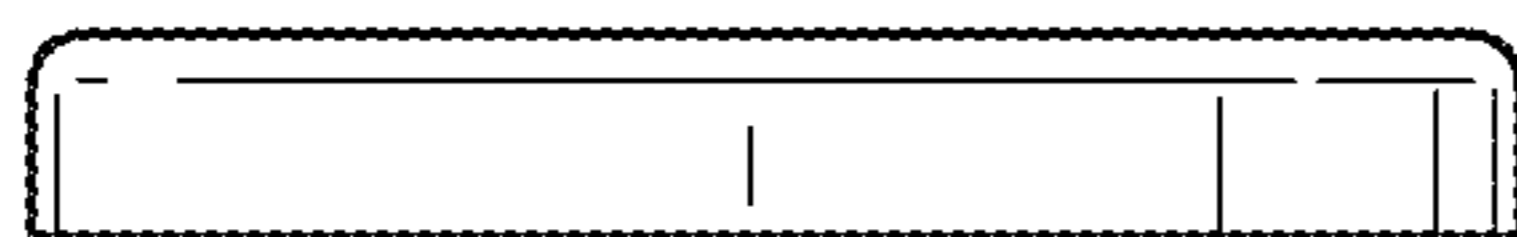
**FIG. 12**



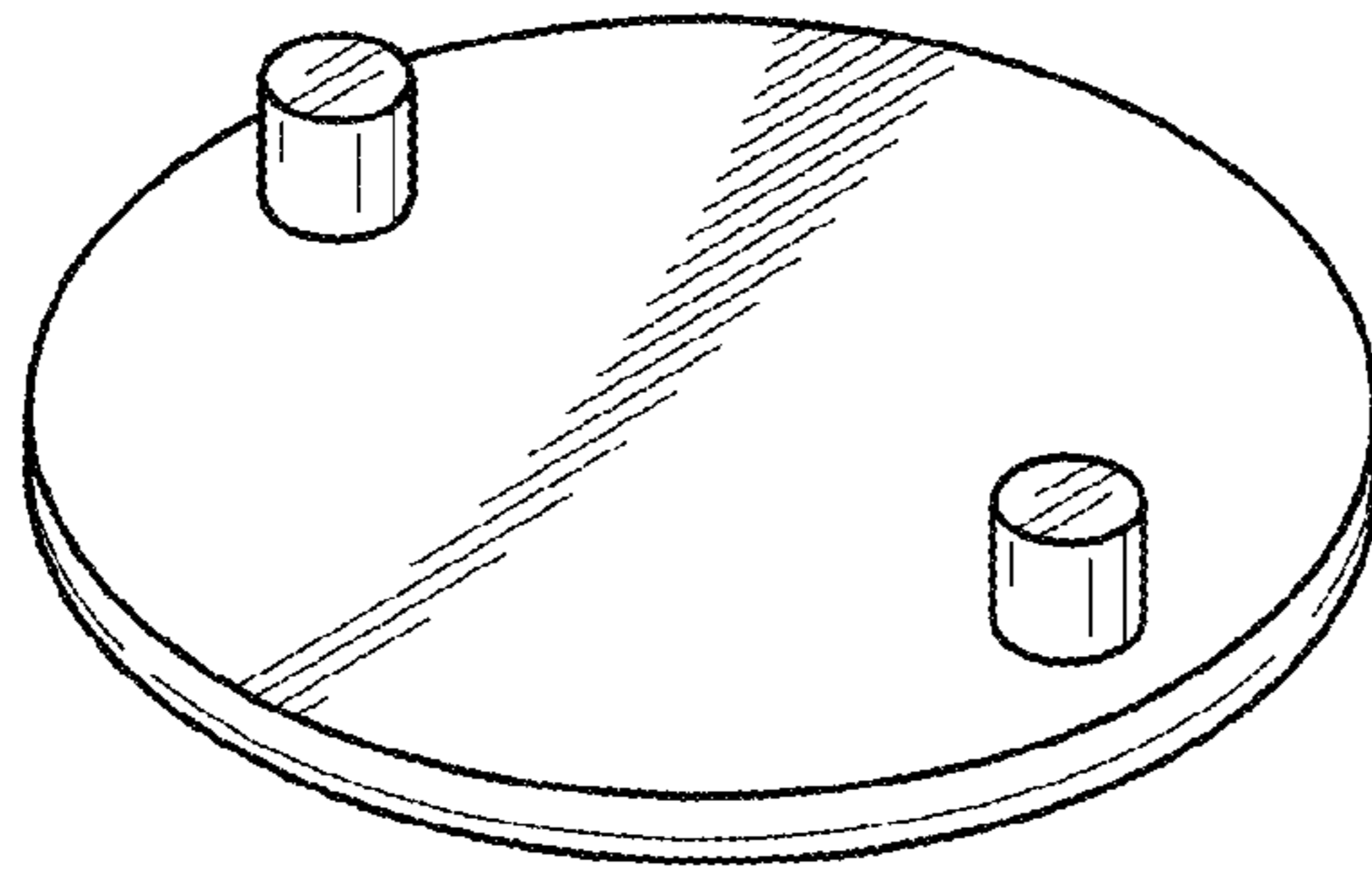
**FIG. 13**



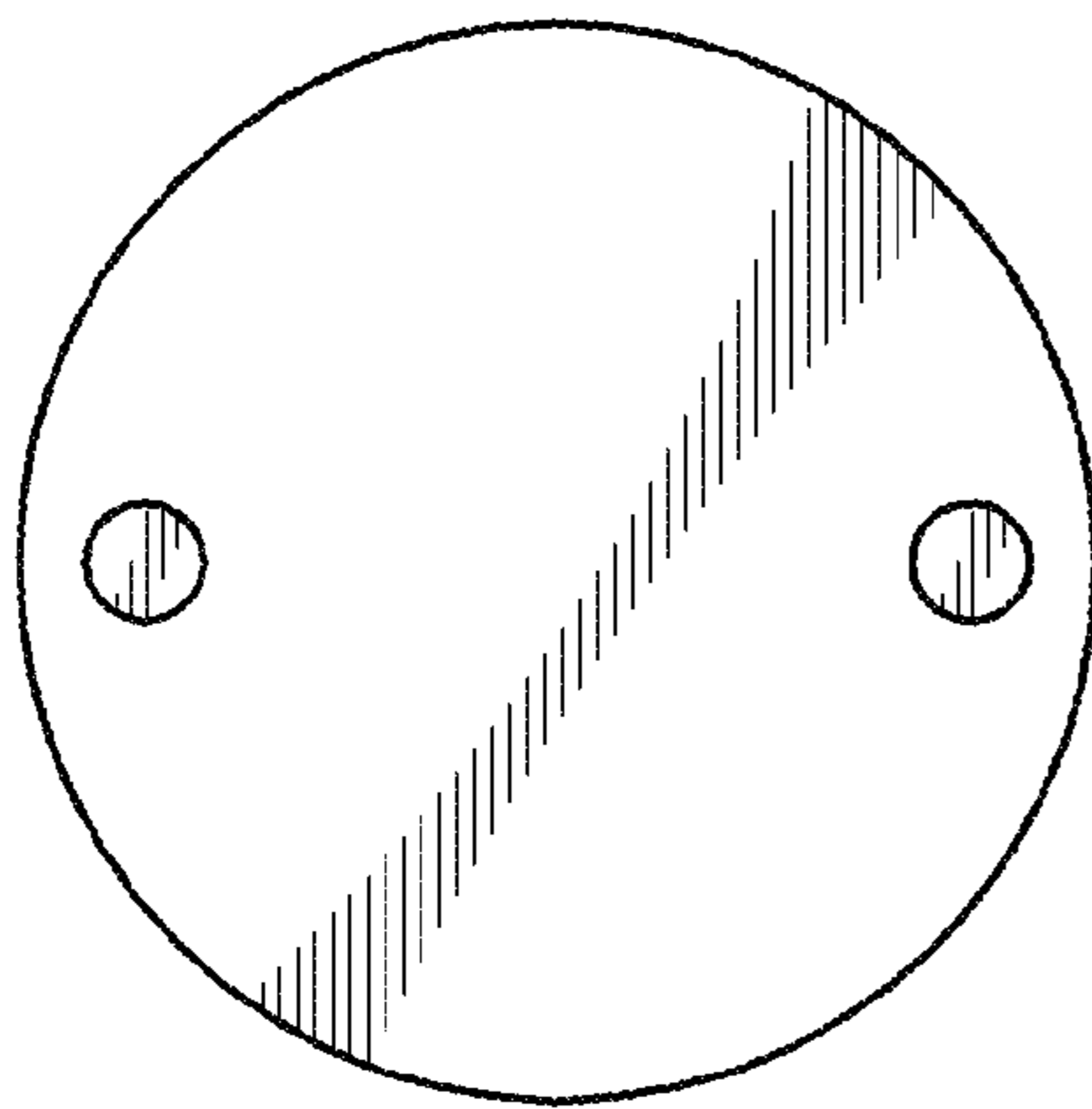
**FIG. 14**



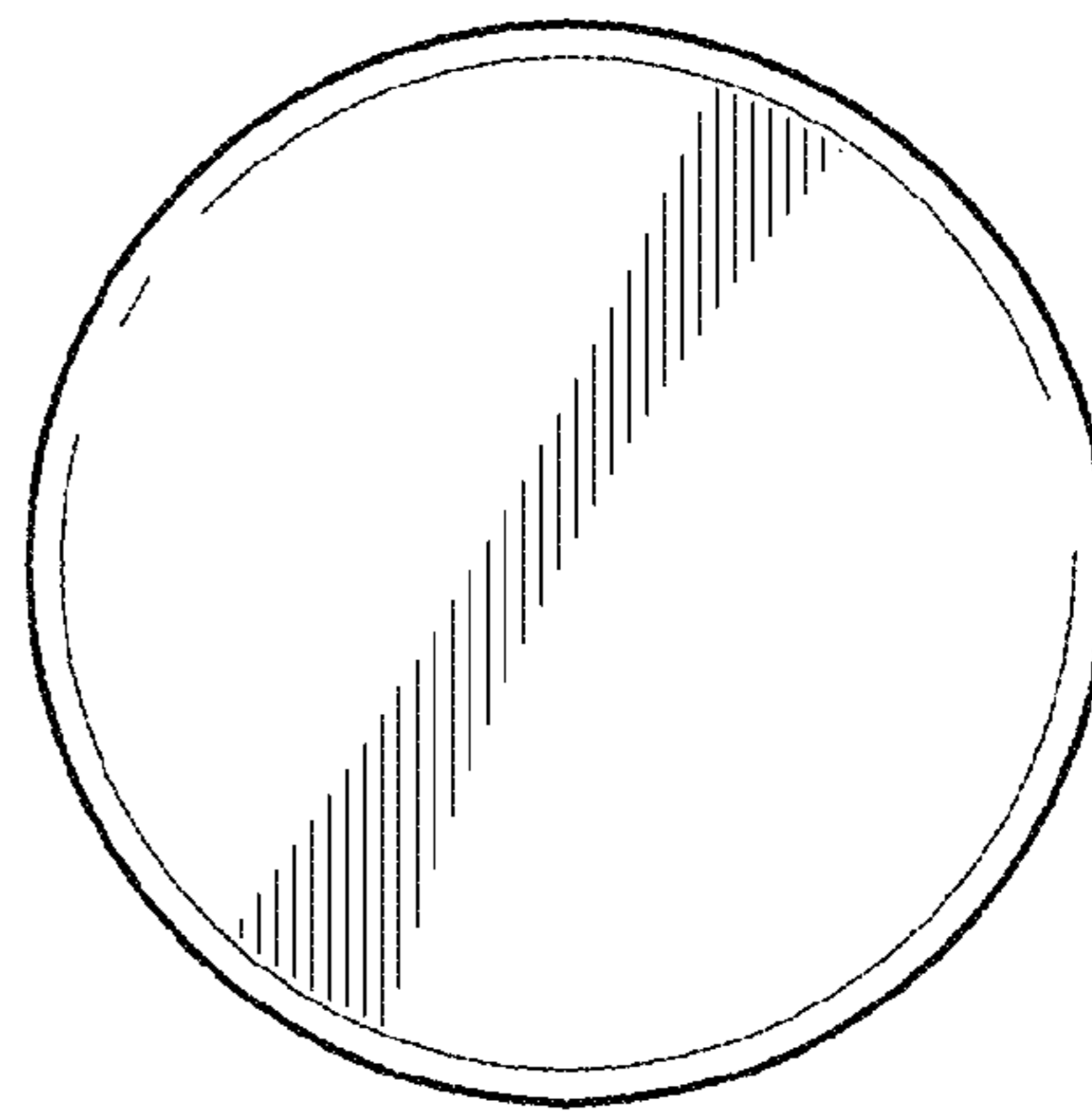
**FIG. 15**



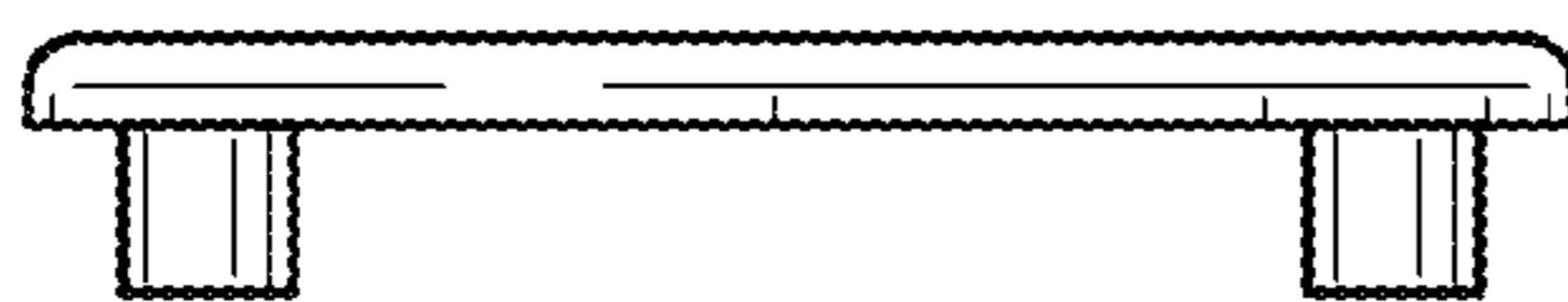
**FIG. 16**



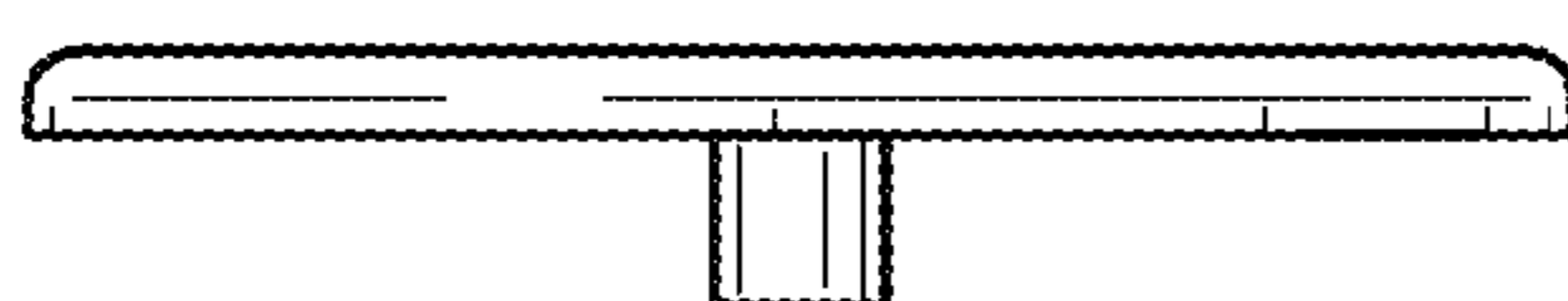
**FIG. 17**



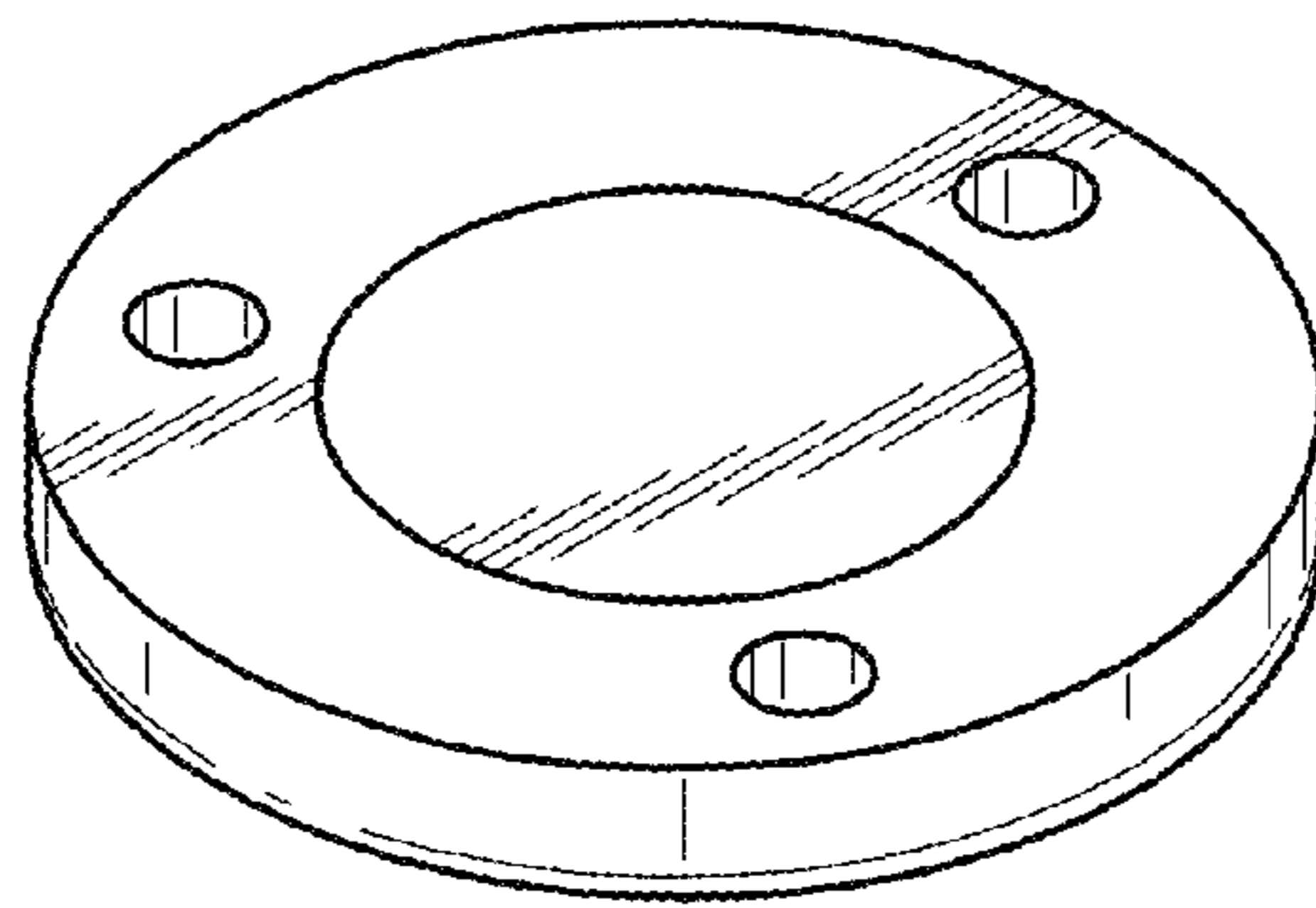
**FIG. 18**



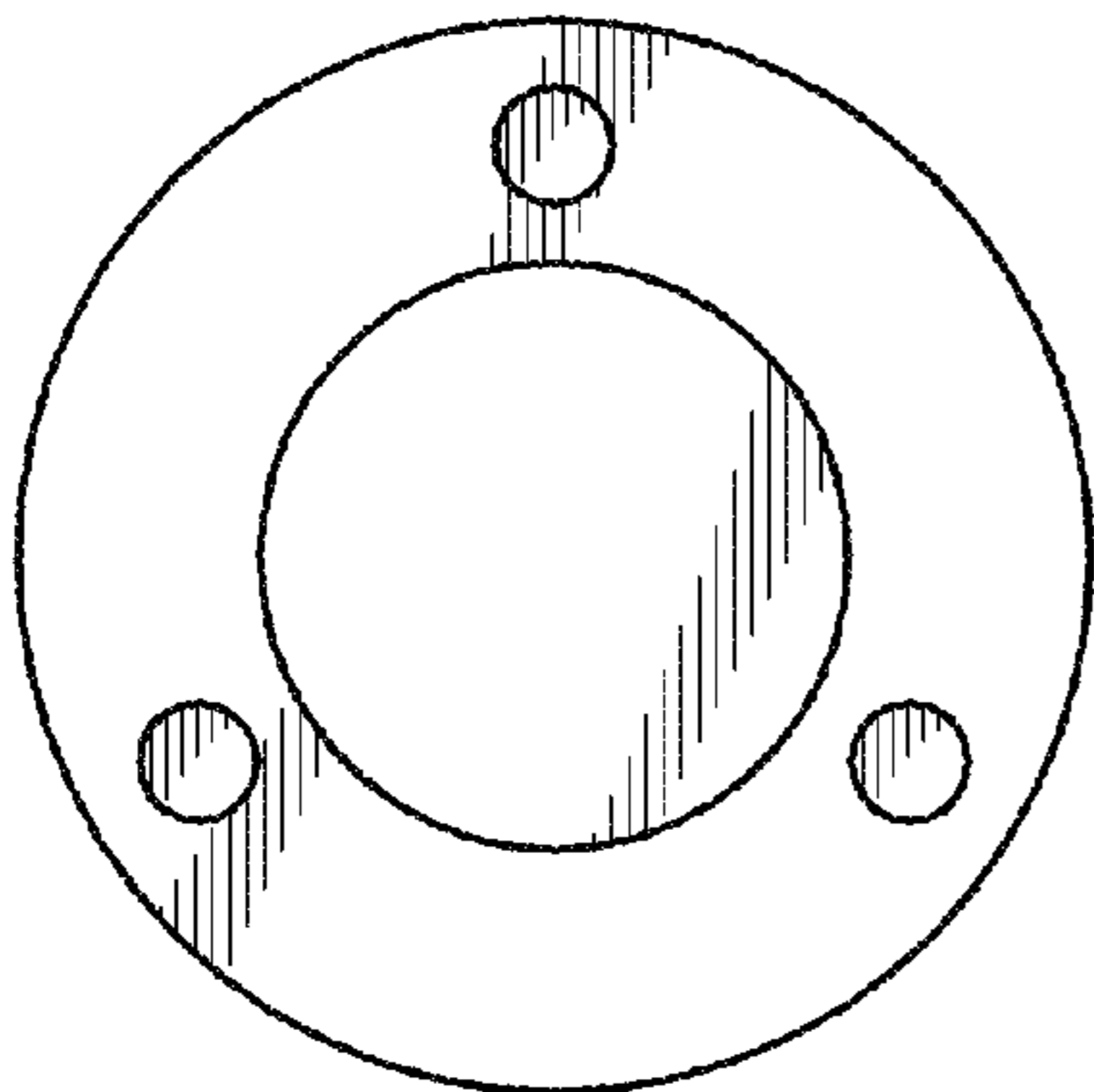
**FIG. 19**



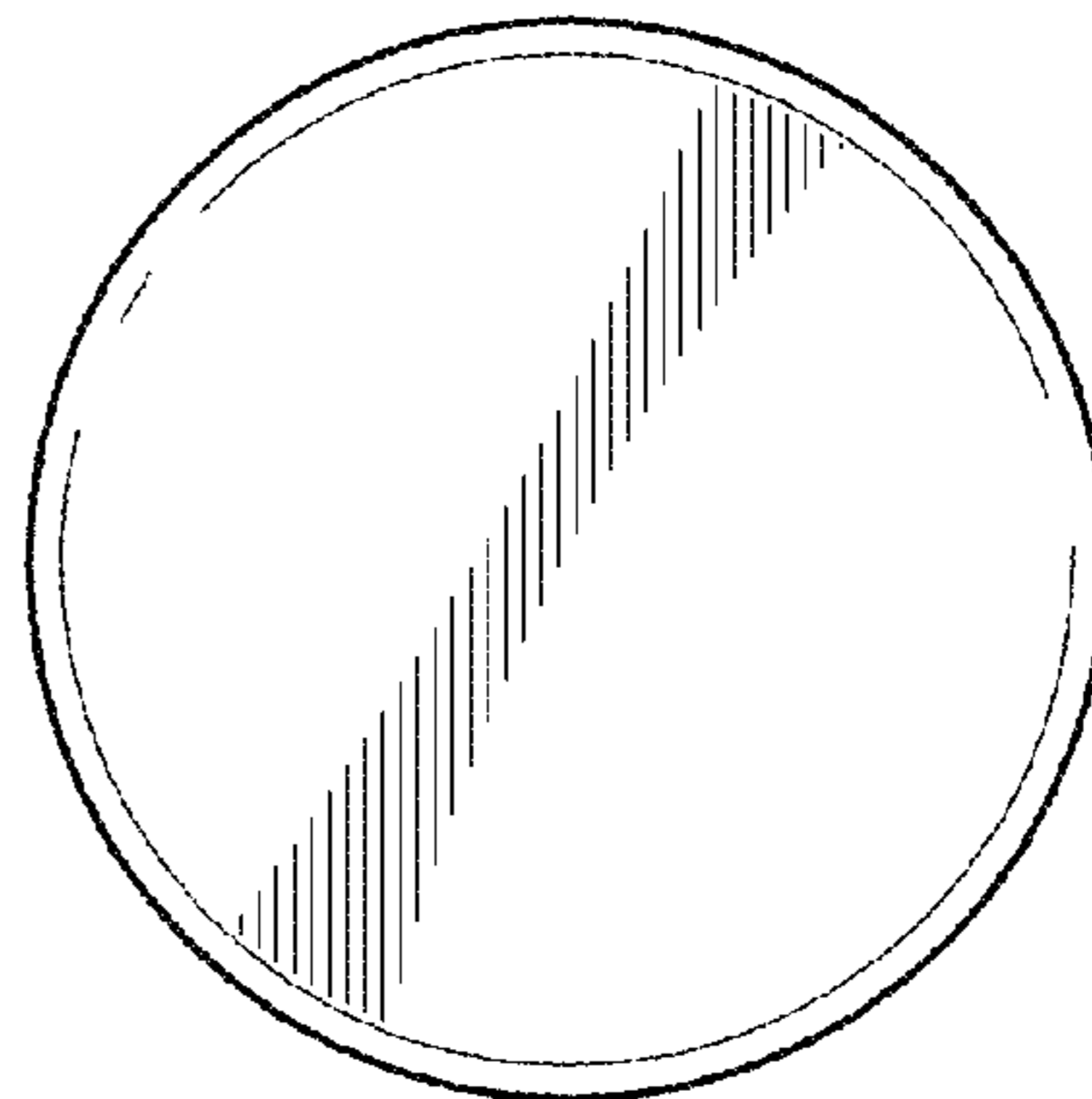
**FIG. 20**



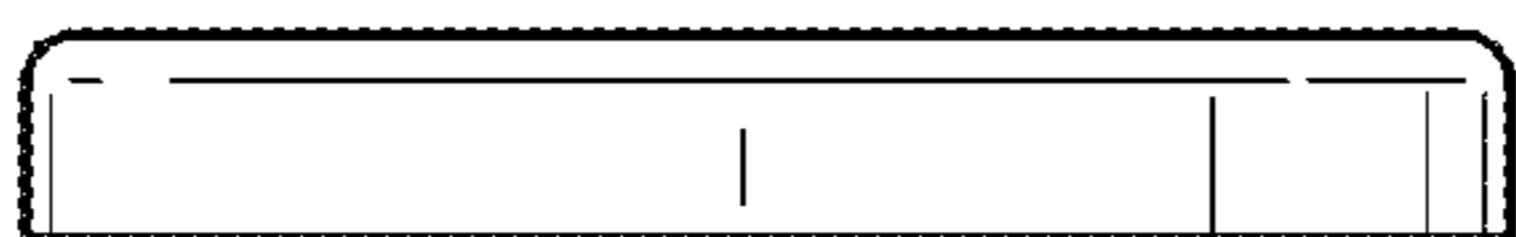
**FIG. 21**



**FIG. 22**

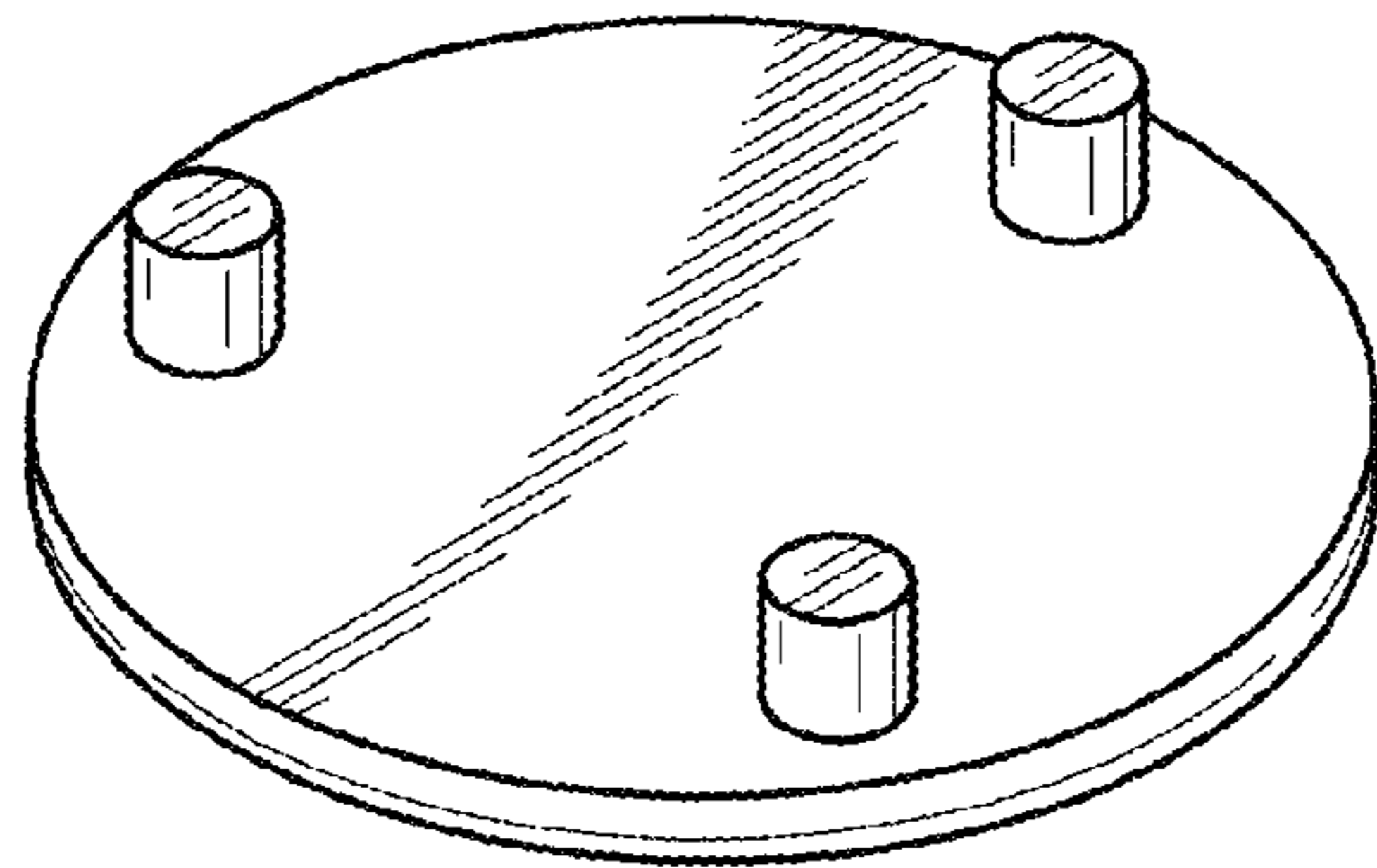


**FIG. 23**

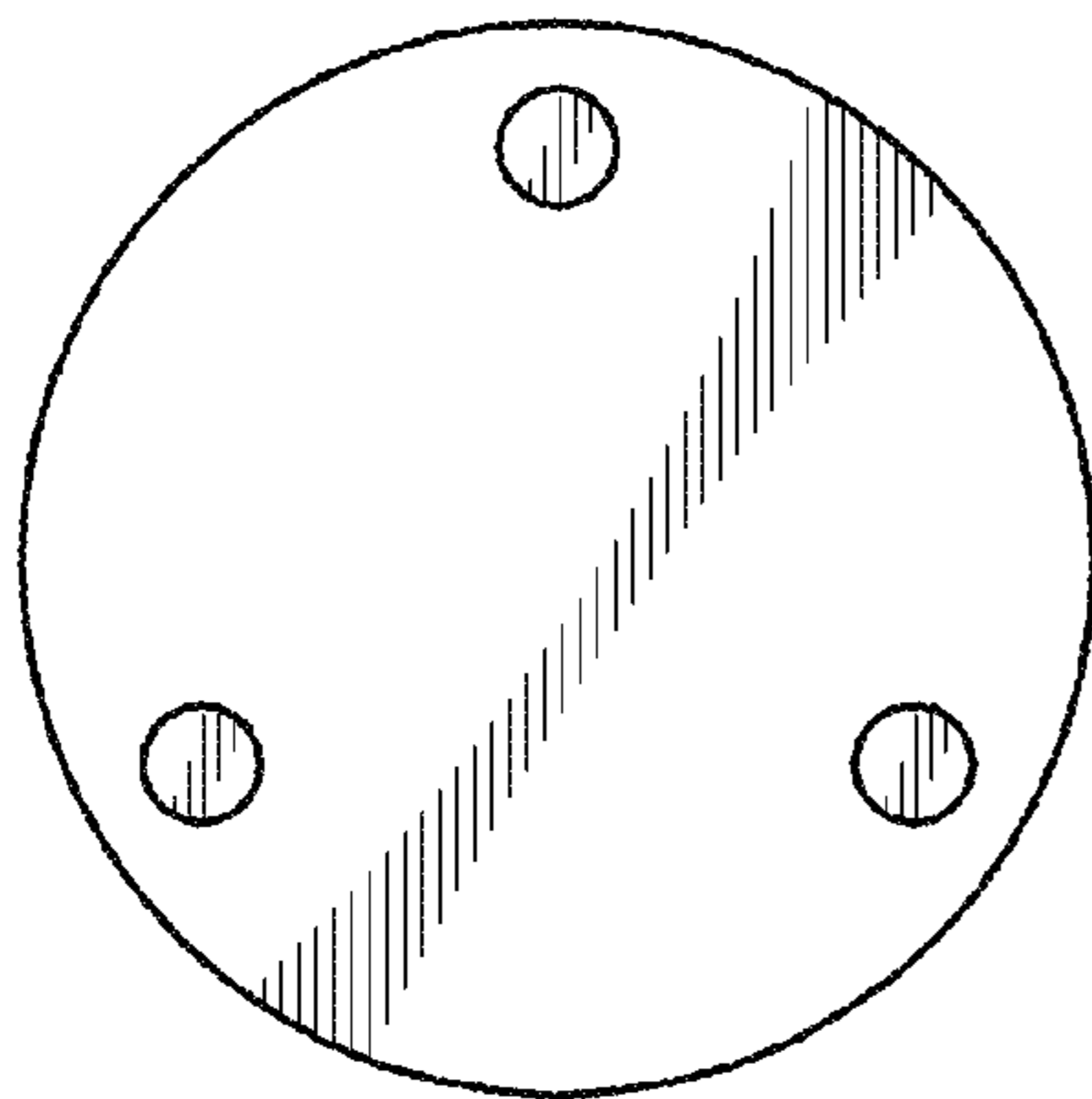


**FIG. 24**

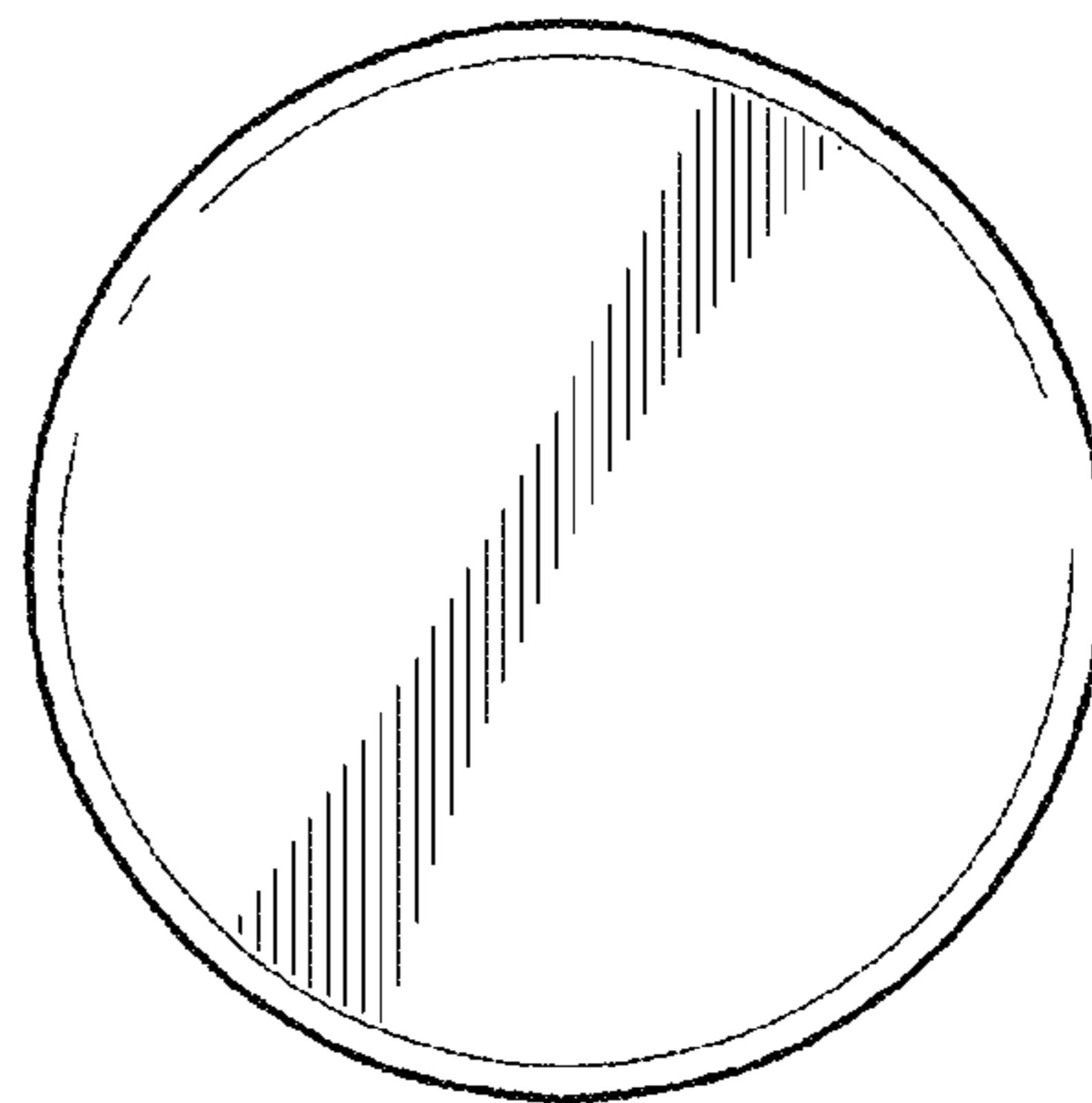




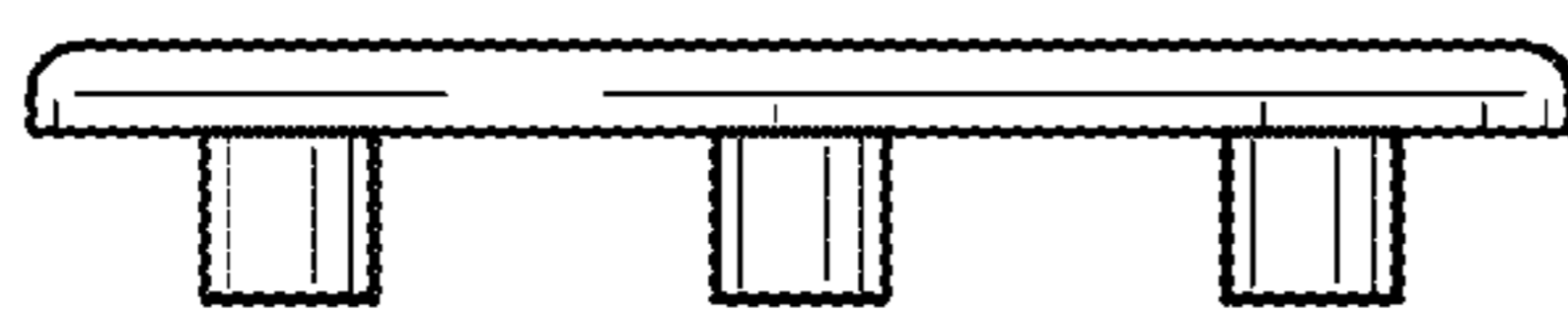
**FIG. 25**



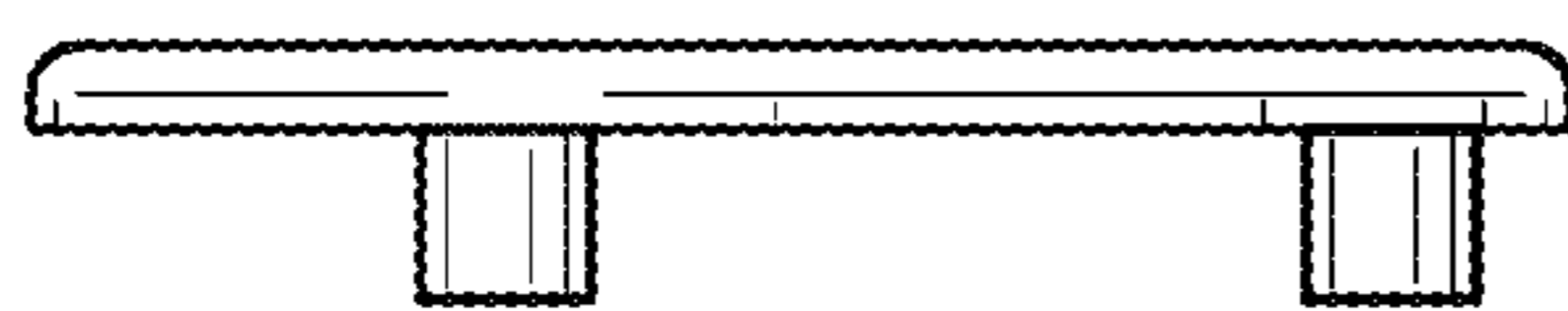
**FIG. 26**



**FIG. 27**



**FIG. 28**



**FIG. 29**