



US00D739221S

(12) **United States Design Patent**  
**Sendra-Gonzalez et al.**

(10) **Patent No.:** **US D739,221 S**  
(45) **Date of Patent:** **\*\* Sep. 22, 2015**

(54) **MOUNTING CLIP**

(75) Inventors: **Laura Sendra-Gonzalez**, Offenbach am Main (DE); **Arnd Pietrzak**, Berlin (DE)

(73) Assignee: **Magna International Inc.**, Aurora, Ontario (CA)

(\*\*) Term: **14 Years**

(21) Appl. No.: **29/424,580**

(22) Filed: **Jun. 13, 2012**

(30) **Foreign Application Priority Data**

Mar. 29, 2012 (CA) ..... 145097

(51) **LOC (10) Cl.** ..... **08-08**

(52) **U.S. Cl.**  
USPC ..... **D8/394**; D8/349; D8/366

(58) **Field of Classification Search**  
USPC ..... D8/394, 349, 363, 366, 373, 354, 371,  
D8/356; 248/215, 674, 75, 53, 200, 301,  
248/49, 489; D12/213, 155  
See application file for complete search history.

(56) **References Cited**

**U.S. PATENT DOCUMENTS**

D31,930	S	*	12/1899	Lane	.....	D8/373
2,807,431	A	*	9/1957	McHale	.....	248/113
D252,669	S	*	8/1979	Muttart	.....	D8/380
D333,421	S	*	2/1993	Patti	.....	D8/356
D339,981	S	*	10/1993	Barnes	.....	D8/373
D342,011	S	*	12/1993	Maguire	.....	D8/349
6,005,195	A	*	12/1999	Kam	.....	174/135
D436,311	S	*	1/2001	Edvardsson	.....	D8/382
D451,785	S	*	12/2001	Chaney et al.	.....	D8/354
D462,601	S	*	9/2002	Chaney	.....	D8/354
D473,434	S	*	4/2003	Coburn	.....	D8/18
D492,864	S	*	7/2004	Mizusawa	.....	D6/512
D532,291	S	*	11/2006	Geers	.....	D8/394
D556,015	S	*	11/2007	Muchnik	.....	D8/354

D582,918	S	*	12/2008	Scott	.....	D14/432
D584,603	S	*	1/2009	Reed	.....	D8/395
D593,852	S	*	6/2009	Hoebeek	.....	D8/394
D609,553	S	*	2/2010	Koizumi	.....	D8/354
D621,953	S	*	8/2010	Peifer	.....	D24/232
7,823,853	B2	*	11/2010	Larson et al.	.....	248/339
D629,672	S	*	12/2010	Shaha et al.	.....	D8/367
D629,673	S	*	12/2010	Shaha et al.	.....	D8/367
D686,486	S	*	7/2013	Densmore et al.	.....	D8/349
D699,097	S	*	2/2014	Chung et al.	.....	D8/354
D712,809	S	*	9/2014	Kloos	.....	D12/180
D717,636	S	*	11/2014	Stanley	.....	D8/363
2009/0242715	A1	*	10/2009	Kosidlo et al.	.....	248/231.81

**FOREIGN PATENT DOCUMENTS**

DE	29611109	U1	12/1996
DE	29618279	U1	12/1996
DE	202007002252	U1	4/2007
DE	202007005304	U1	6/2007

(Continued)

*Primary Examiner* — Mark Goodwin

(74) *Attorney, Agent, or Firm* — Dickinson Wright PLLC

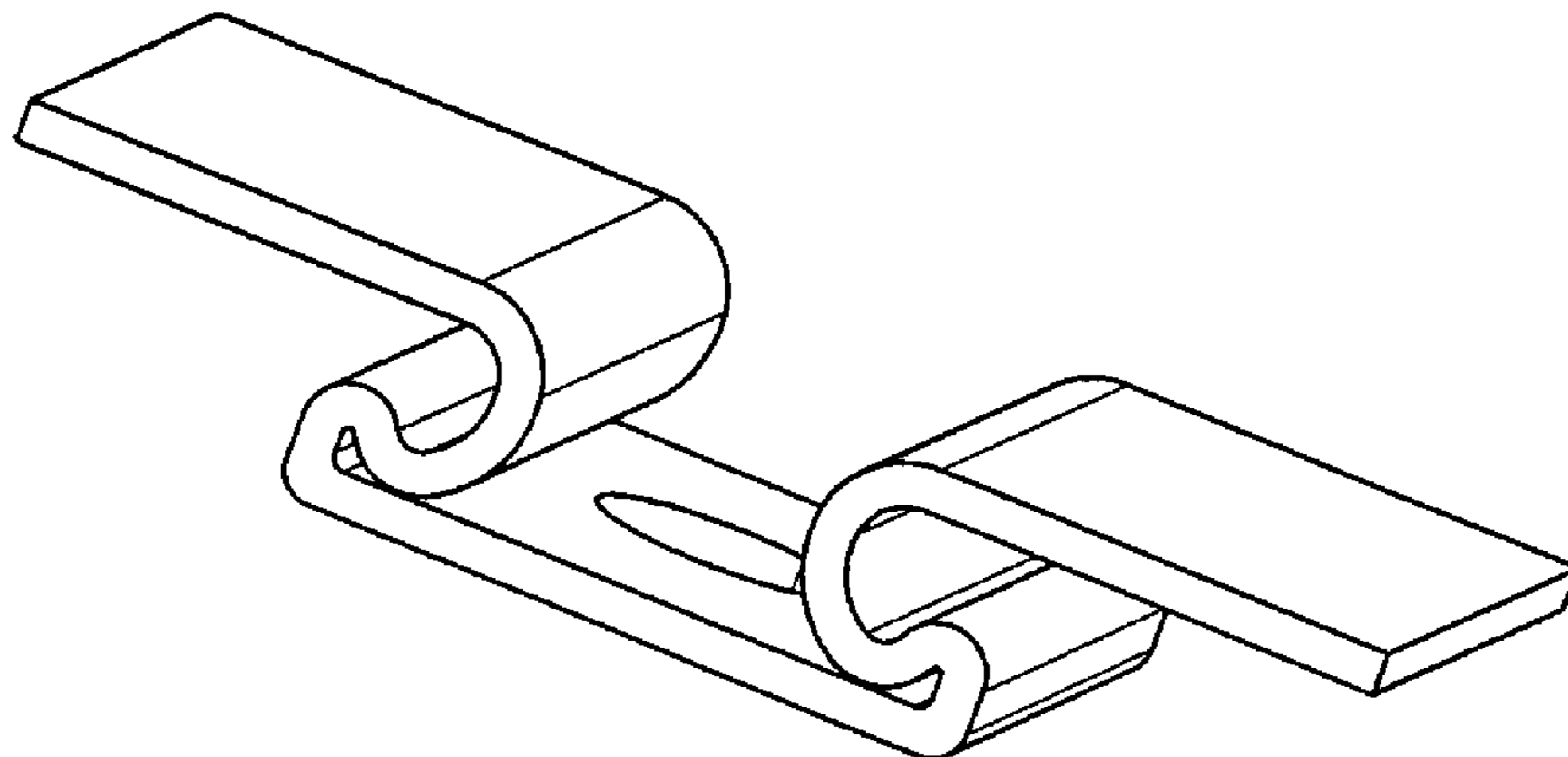
(57) **CLAIM**

The ornamental design for a mounting clip, as shown and described.

**DESCRIPTION**

FIG. 1 is an isometric view of a mounting clip.  
FIG. 2 is a front elevational view of the mounting clip shown in FIG. 1.  
FIG. 3 is a right side elevational view of the mounting clip shown in FIG. 1.  
FIG. 4 is a left side elevational view of the mounting clip shown in FIG. 1.  
FIG. 5 is a top plan view of the mounting clip shown in FIG. 1; and,  
FIG. 6 is a bottom plan view of the mounting clip shown in FIG. 1.

**1 Claim, 3 Drawing Sheets**



(56)

**References Cited**

FOREIGN PATENT DOCUMENTS

DE 202009003667 U1 7/2009  
DE 102009024615 A1 2/2010

DE 102008051338 A1 4/2010  
DE 102009018782 B3 9/2010  
DE 102009023021 A1 12/2010  
DE 102009036607 A1 2/2011

\* cited by examiner

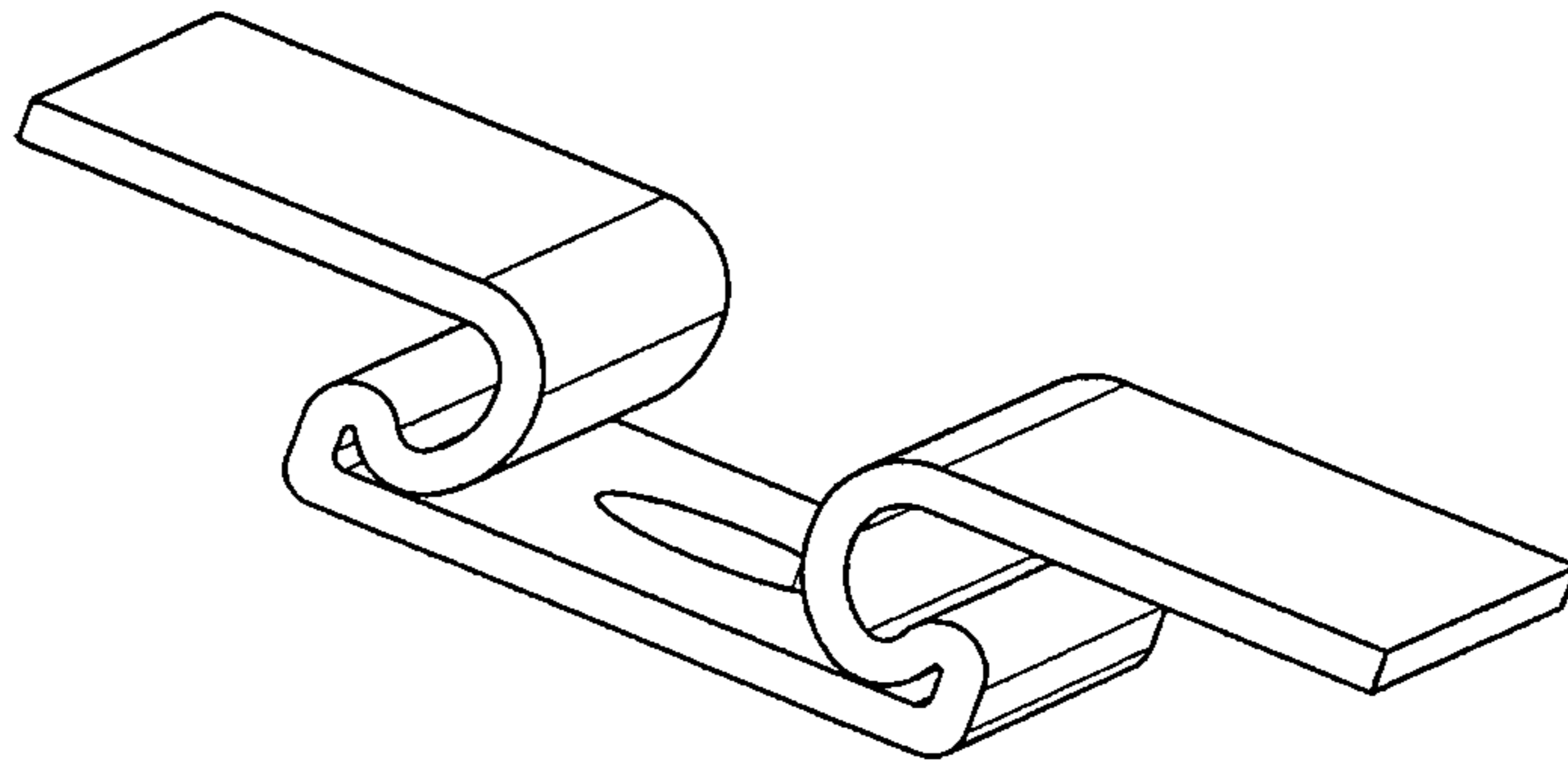


Figure 1

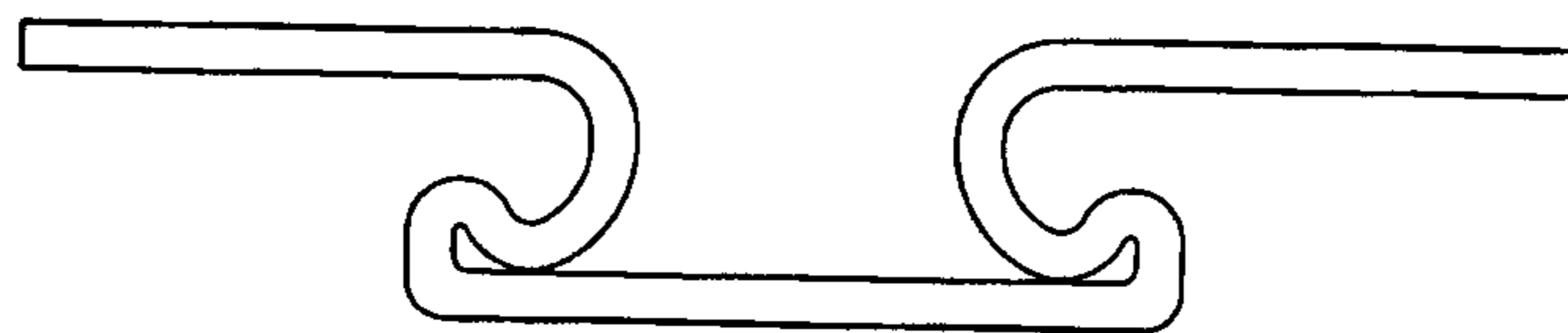


Figure 2

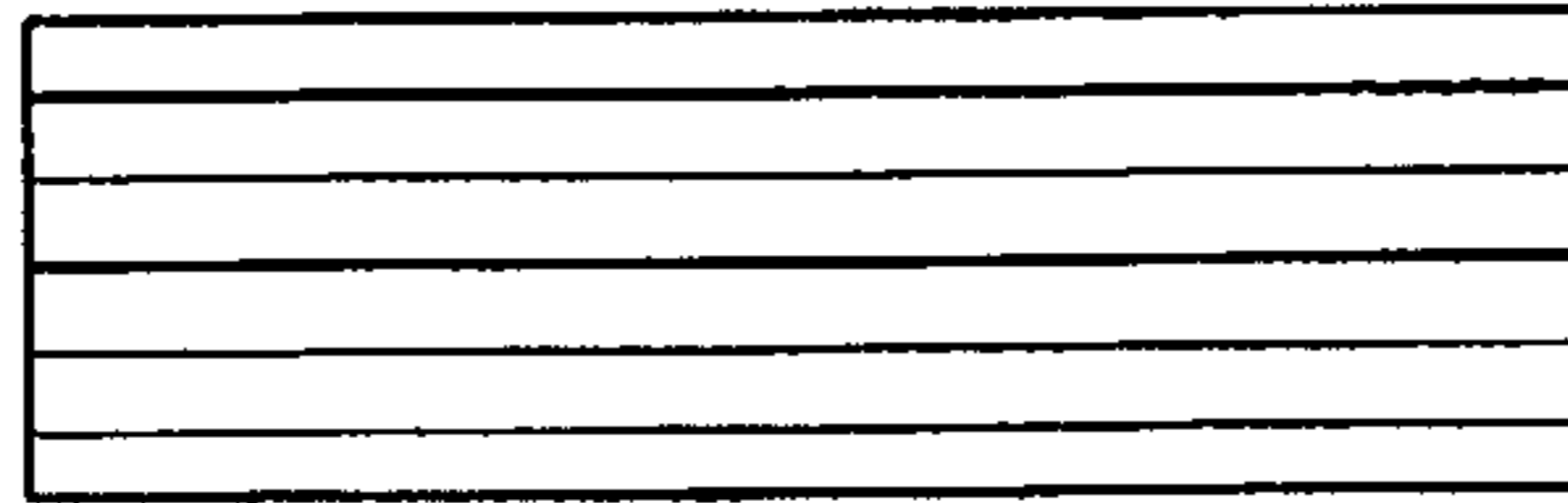


Figure 3

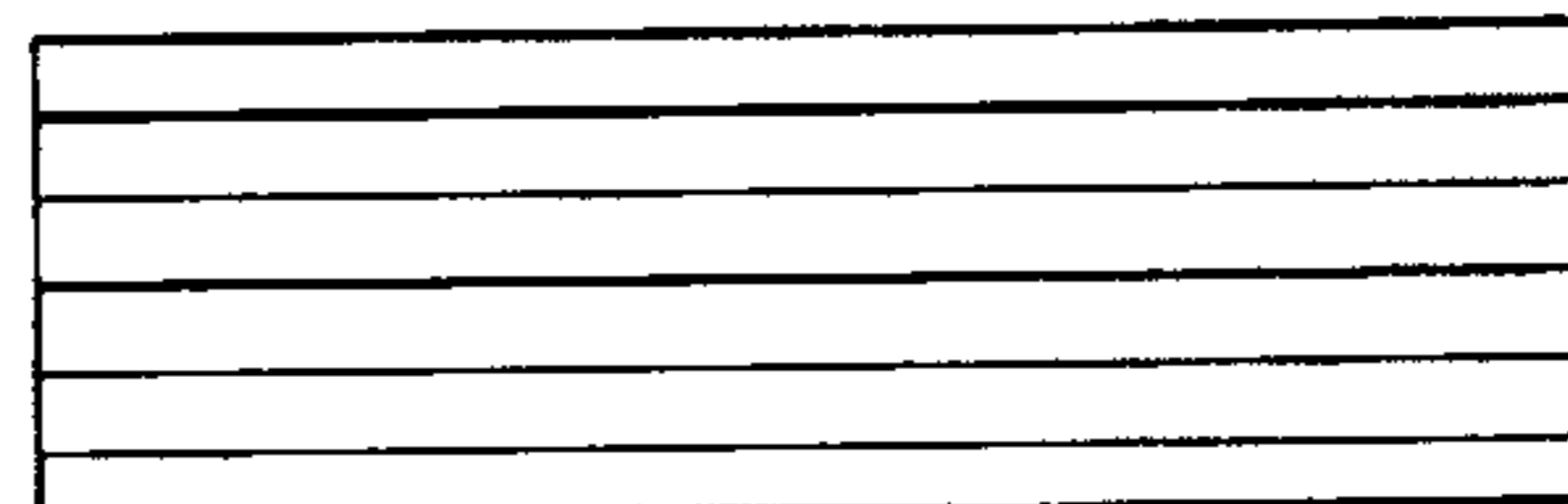


Figure 4

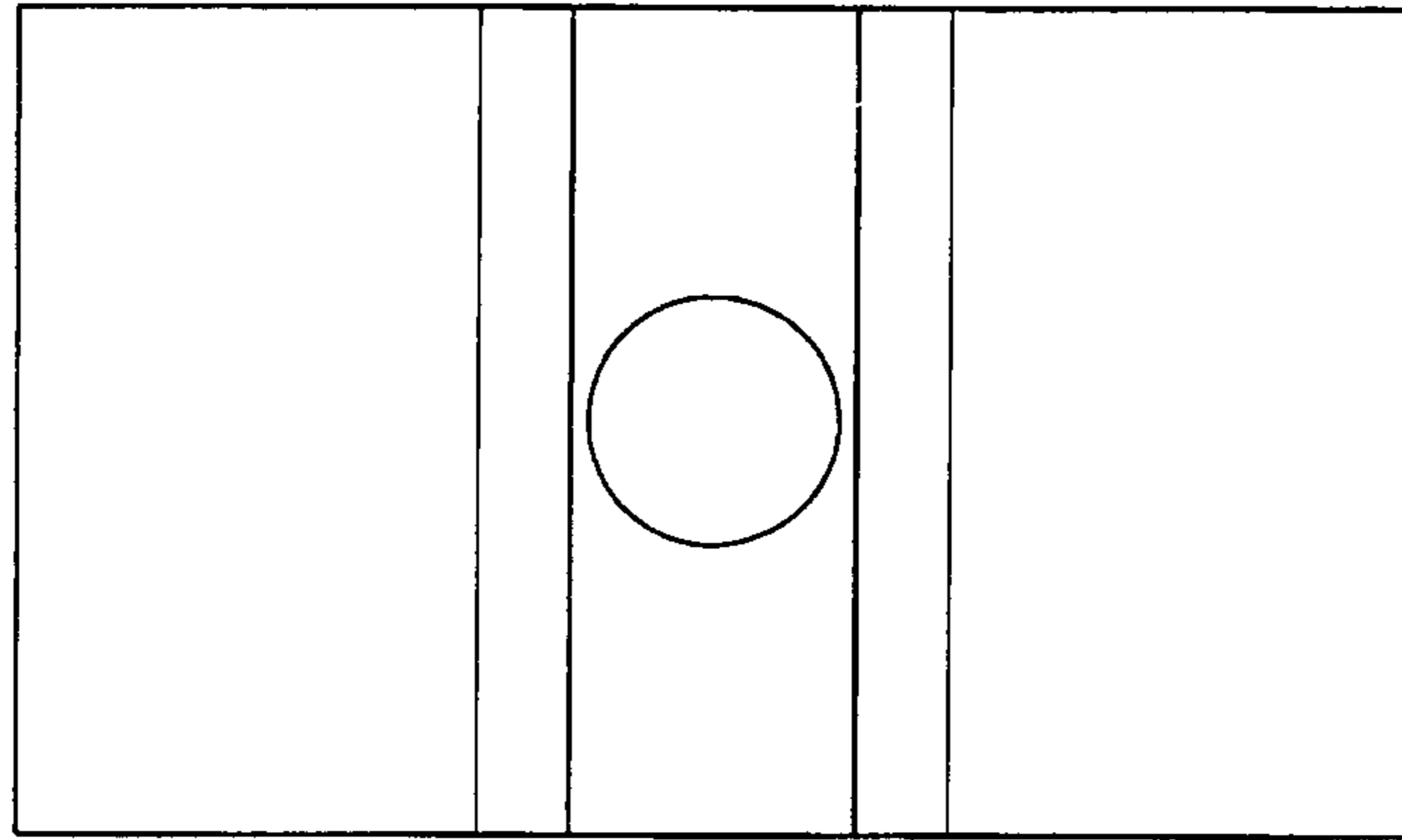


Figure 5

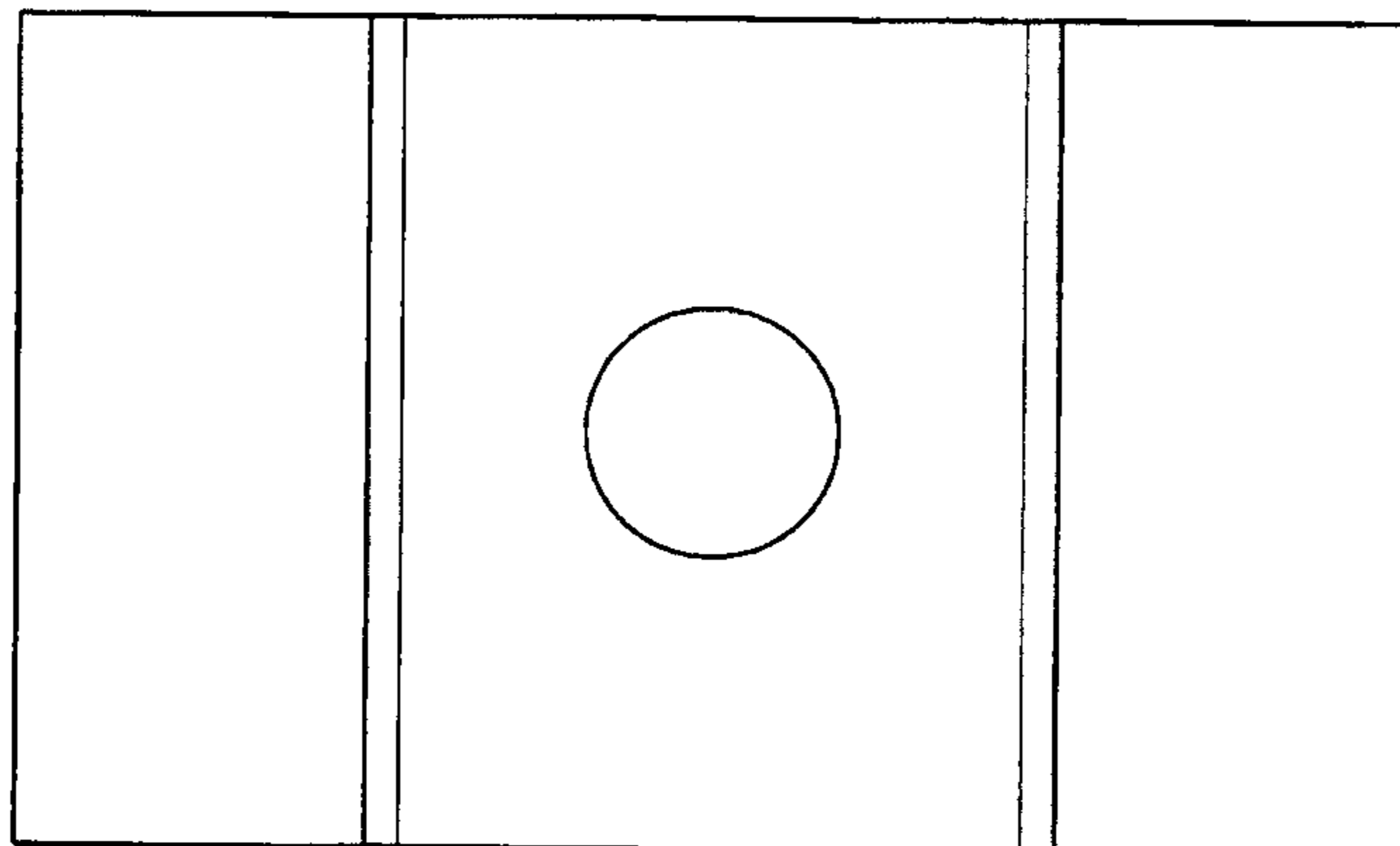


Figure 6