



US00D739219S

(12) **United States Design Patent**
Mahoney

(10) **Patent No.:** **US D739,219 S**

(45) **Date of Patent:** **** Sep. 22, 2015**

(54) **WIRE JOINER**

(71) Applicant: **Mark Joshua Mahoney**, Mansfield
(AU)

(72) Inventor: **Mark Joshua Mahoney**, Mansfield
(AU)

(**) Term: **14 Years**

(21) Appl. No.: **29/484,015**

(22) Filed: **Mar. 5, 2014**

(51) **LOC (10) Cl.** **08-08**

(52) **U.S. Cl.**
USPC **D8/382**

(58) **Field of Classification Search**
USPC D8/349, 350, 353, 354, 355, 356, 359,
D8/366, 367, 373, 374, 381, 382, 383, 384,
D8/385, 386, 394
CPC B61G 5/00; B61G 5/06; B61G 5/08;
B61G 5/10; H01R 9/0521; H01R 4/10;
H01R 4/22; H01R 4/28; H01R 9/0503;
H01R 13/6464; H01R 24/62; H02J 1/00;
H02J 2001/006; H02J 2001/008; H02G 1/00;
H02G 1/04
See application file for complete search history.

(56) **References Cited**

U.S. PATENT DOCUMENTS

D268,093	S	*	3/1983	Wenczl et al.	D8/381
4,537,001	A	*	8/1985	Uppstrom	52/608
D288,288	S	*	2/1987	Hentzschel et al.	D8/380
4,641,474	A	*	2/1987	Cannarsa	52/514
D333,086	S	*	2/1993	Karas et al.	D8/389
D338,614	S	*	8/1993	Pierce	D8/382
D361,931	S	*	9/1995	Cesler	D8/381
D362,510	S	*	9/1995	Jones	D25/68
D364,332	S	*	11/1995	Sachs	D8/354
D367,001	S	*	2/1996	Bright	D8/381

5,489,081	A	*	2/1996	Coffey	248/603
D387,922	S	*	12/1997	Dormon et al.	D6/418
D387,970	S	*	12/1997	Enslin	D8/349
D390,191	S	*	2/1998	Byfield, Jr.	D13/147
D392,178	S	*	3/1998	Hirano	D8/382
D414,400	S	*	9/1999	Williams	D8/382

(Continued)

FOREIGN PATENT DOCUMENTS

AU	2013101146	A4	9/2013
DE	20 2013 103 850	U1	9/2014

Primary Examiner — Eric Goodman

Assistant Examiner — Bao-Yen Nguyen

(74) *Attorney, Agent, or Firm* — Shlesinger, Arkwright & Garvey LLP

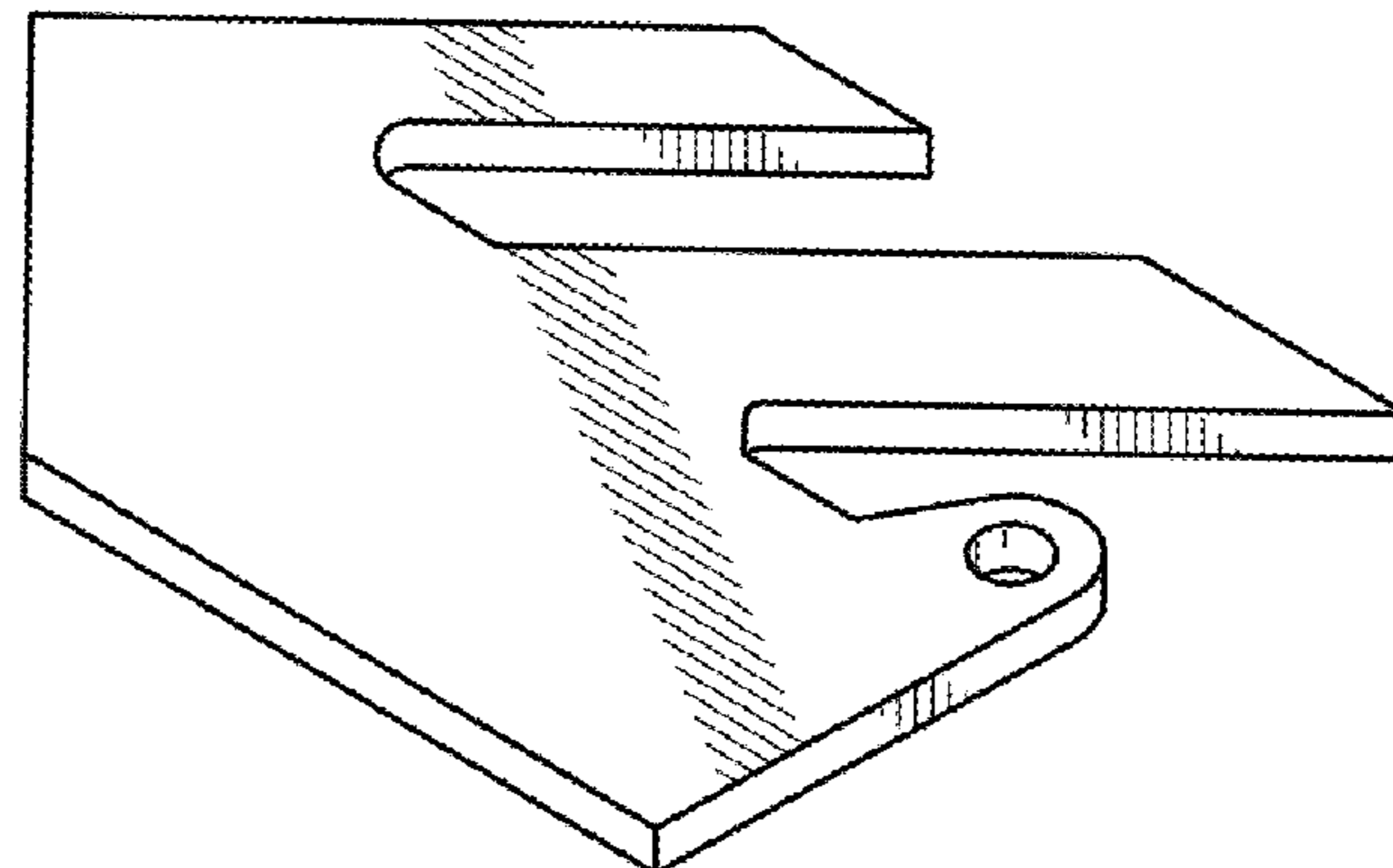
(57) **CLAIM**

The ornamental design for wire joiner, as shown and described.

DESCRIPTION

FIG. 1 is a left side view of a wire joiner embodying my new design;
 FIG. 2 is a right side view thereof;
 FIG. 3 is a top plan view of the wire joiner of FIG. 1;
 FIG. 4 is a bottom plan view of the wire joiner of FIG. 1;
 FIG. 5 is a front elevation thereof;
 FIG. 6 is a rear elevation thereof;
 FIG. 7 is a perspective view thereof;
 FIG. 8 is a left side view of a second embodiment of a wire joiner embodying my design;
 FIG. 9 is a right side view of the wire joiner of FIG. 8;
 FIG. 10 is a top plan view of the wire joiner of FIG. 8;
 FIG. 11 is a bottom plan view of the wire joiner of FIG. 8;
 FIG. 12 is a front elevation of the wire joiner of FIG. 8;
 FIG. 13 is a rear elevation of the wire joiner of FIG. 8; and,
 FIG. 14 is a perspective view of the wire joiner of FIG. 8.

1 Claim, 2 Drawing Sheets



(56)

References Cited

U.S. PATENT DOCUMENTS

D423,909 S *	5/2000	Hartin	D8/349	D482,261 S *	11/2003	Kobayashi	D8/349
D426,025 S *	5/2000	Holmes et al.	D28/38	D502,866 S *	3/2005	Woollard	D8/382
D445,327 S *	7/2001	Emms	D8/382	D558,041 S *	12/2007	Skinner	D8/382
D456,698 S *	5/2002	Emms	D8/382	D562,120 S *	2/2008	Henderson	D8/382
D464,309 S *	10/2002	McCoy et al.	D12/223	D562,121 S *	2/2008	Henderson	D8/382
D474,958 S *	5/2003	Perdue	D8/349	D574,222 S *	8/2008	Golias et al.	D8/349
D479,930 S *	9/2003	Cook et al.	D6/511	D587,640 S *	3/2009	Fraser et al.	D12/223
D481,619 S *	11/2003	Hightower	D8/382	D659,522 S *	5/2012	Noturno	D8/382
				D714,616 S *	10/2014	Walker et al.	D8/349
				D714,626 S *	10/2014	Trifari, Jr.	D8/382

* cited by examiner

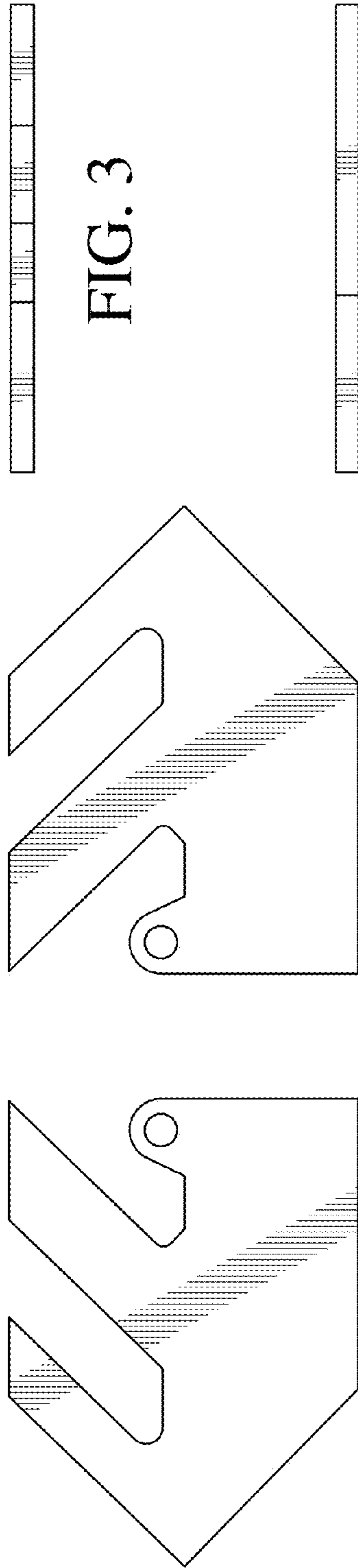


FIG. 1

FIG. 2



FIG. 3



FIG. 4

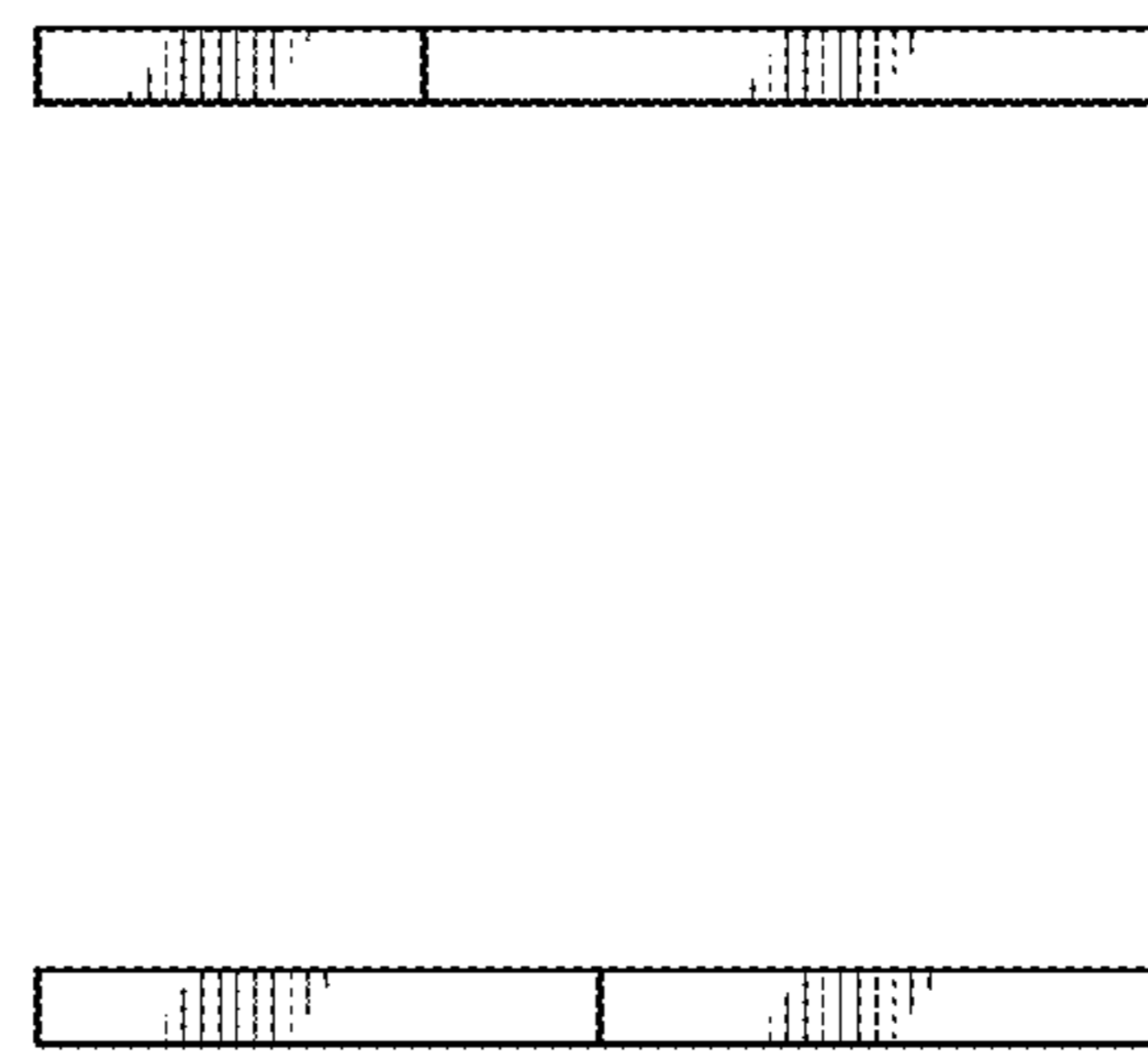


FIG. 5

FIG. 6

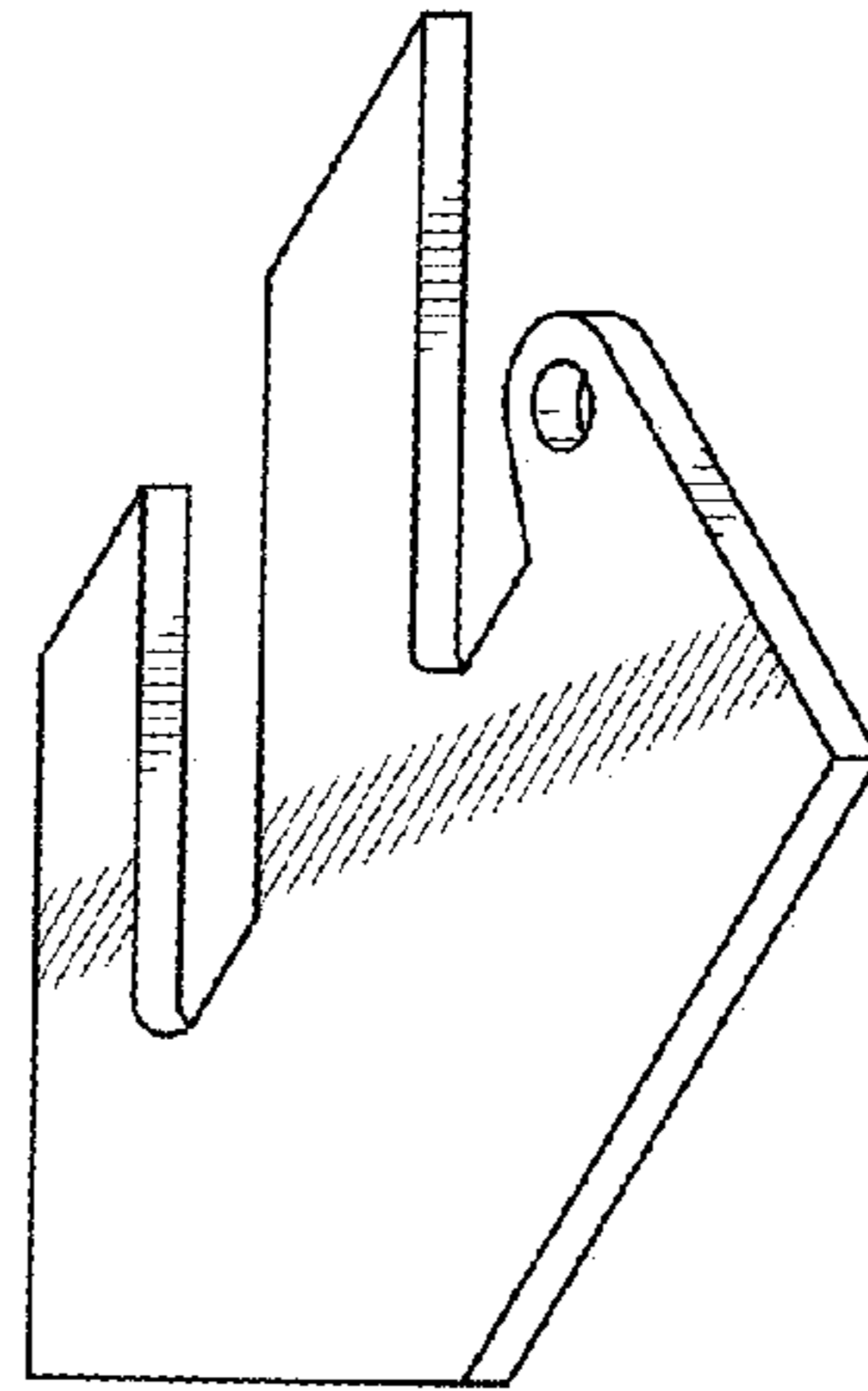


FIG. 7

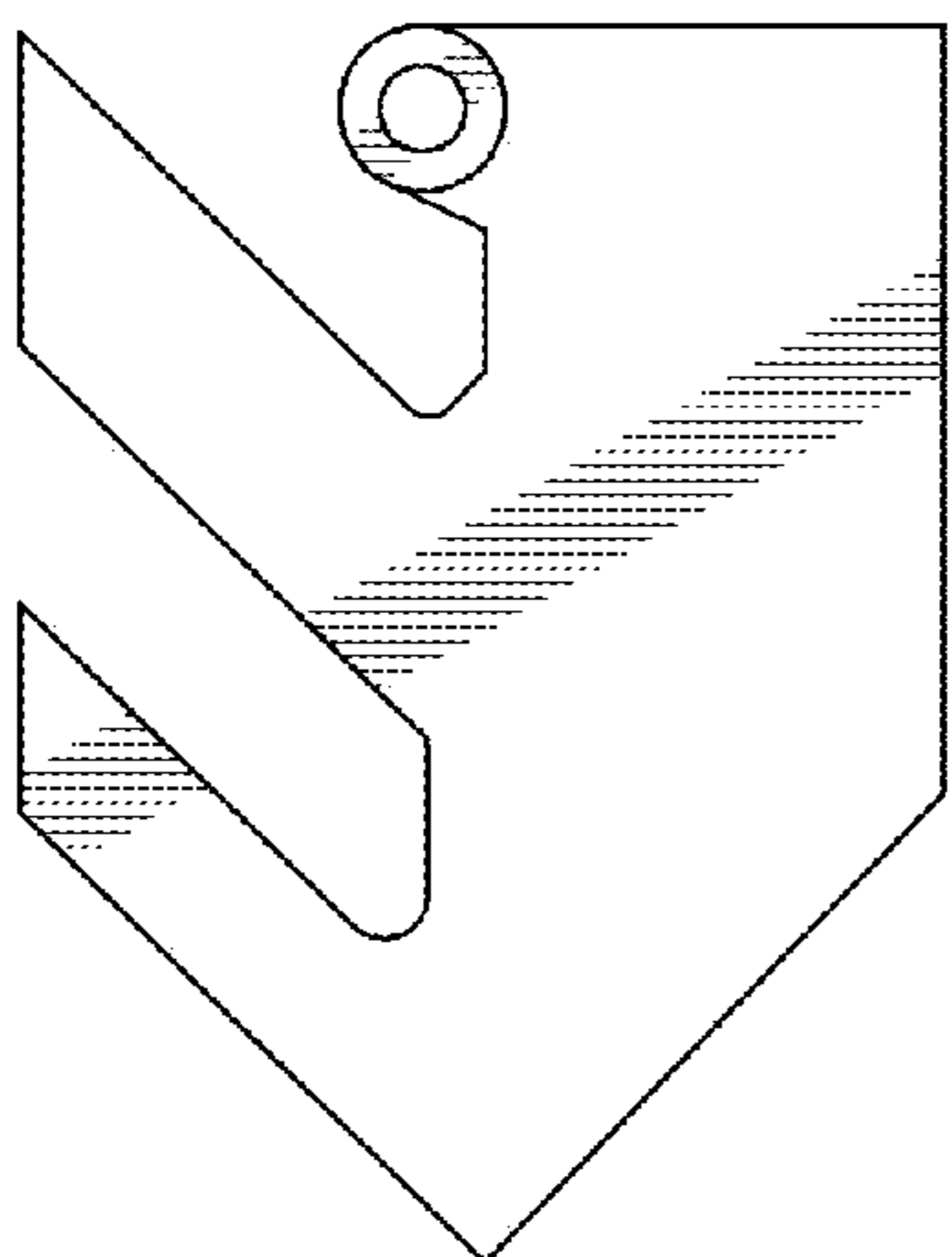


FIG. 8

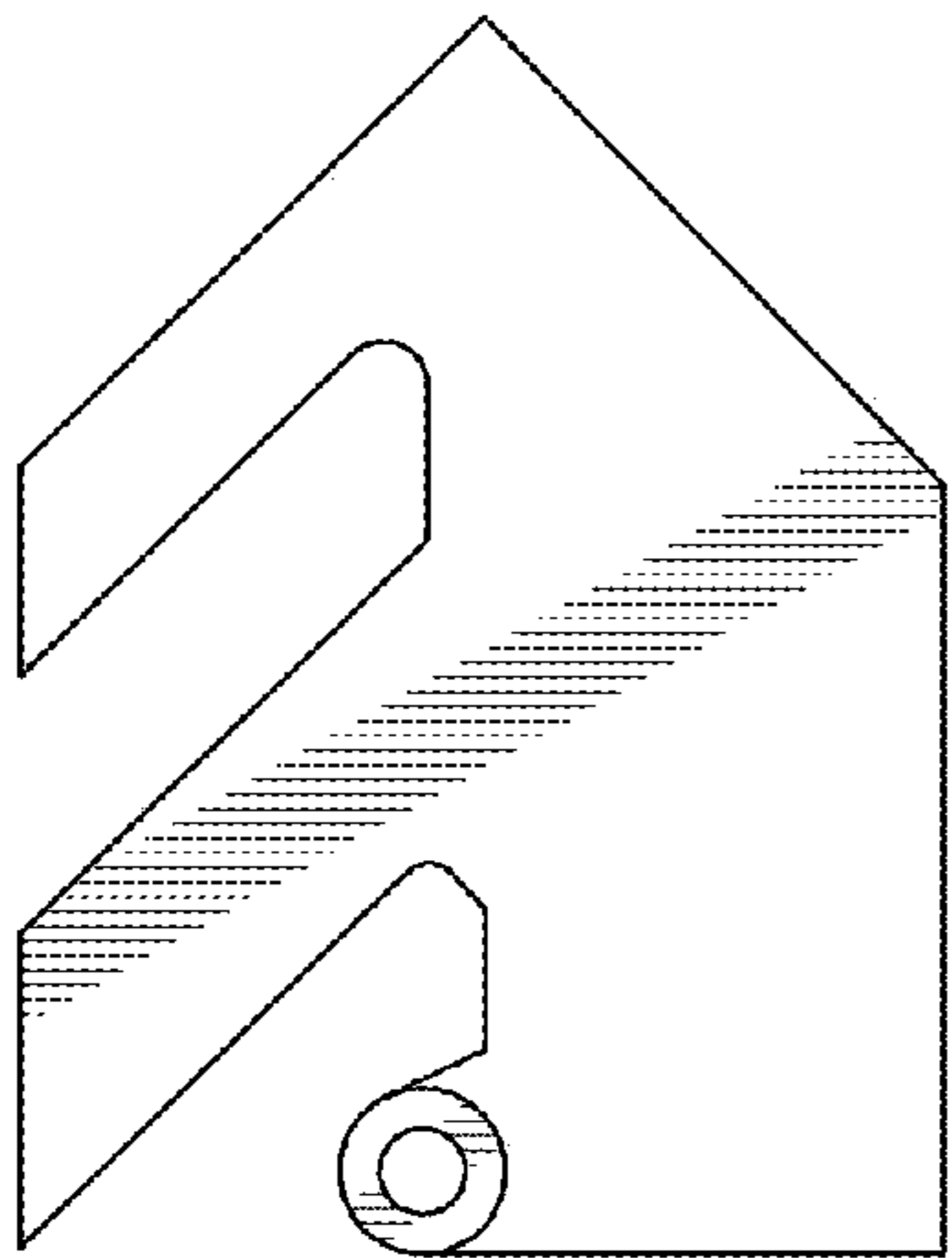


FIG. 9

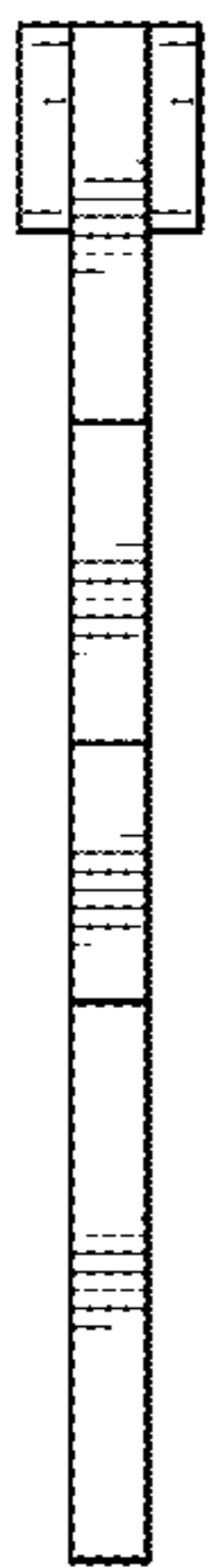


FIG. 10

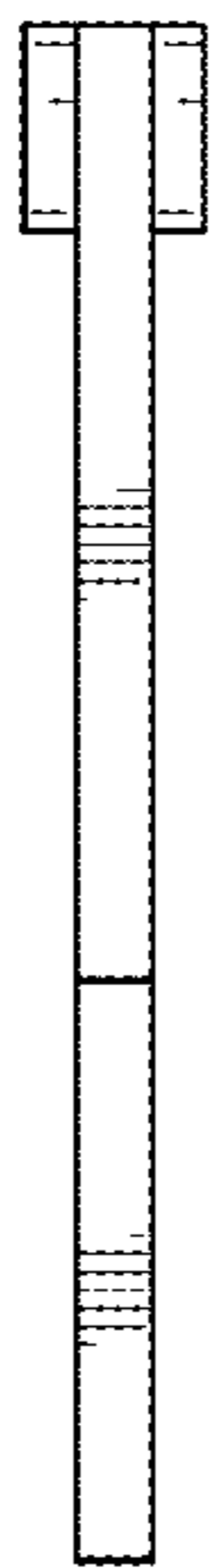


FIG. 11

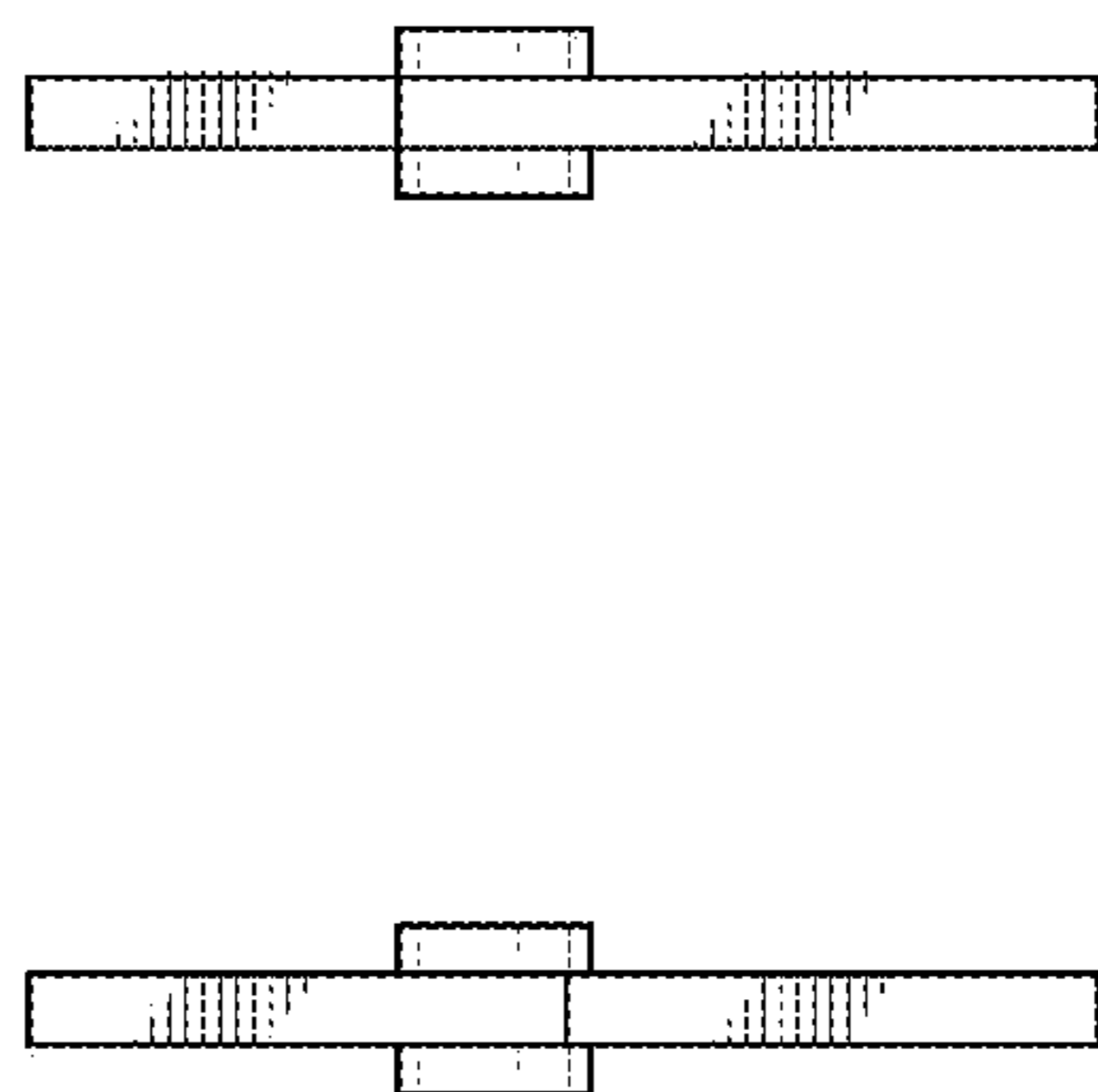


FIG. 12

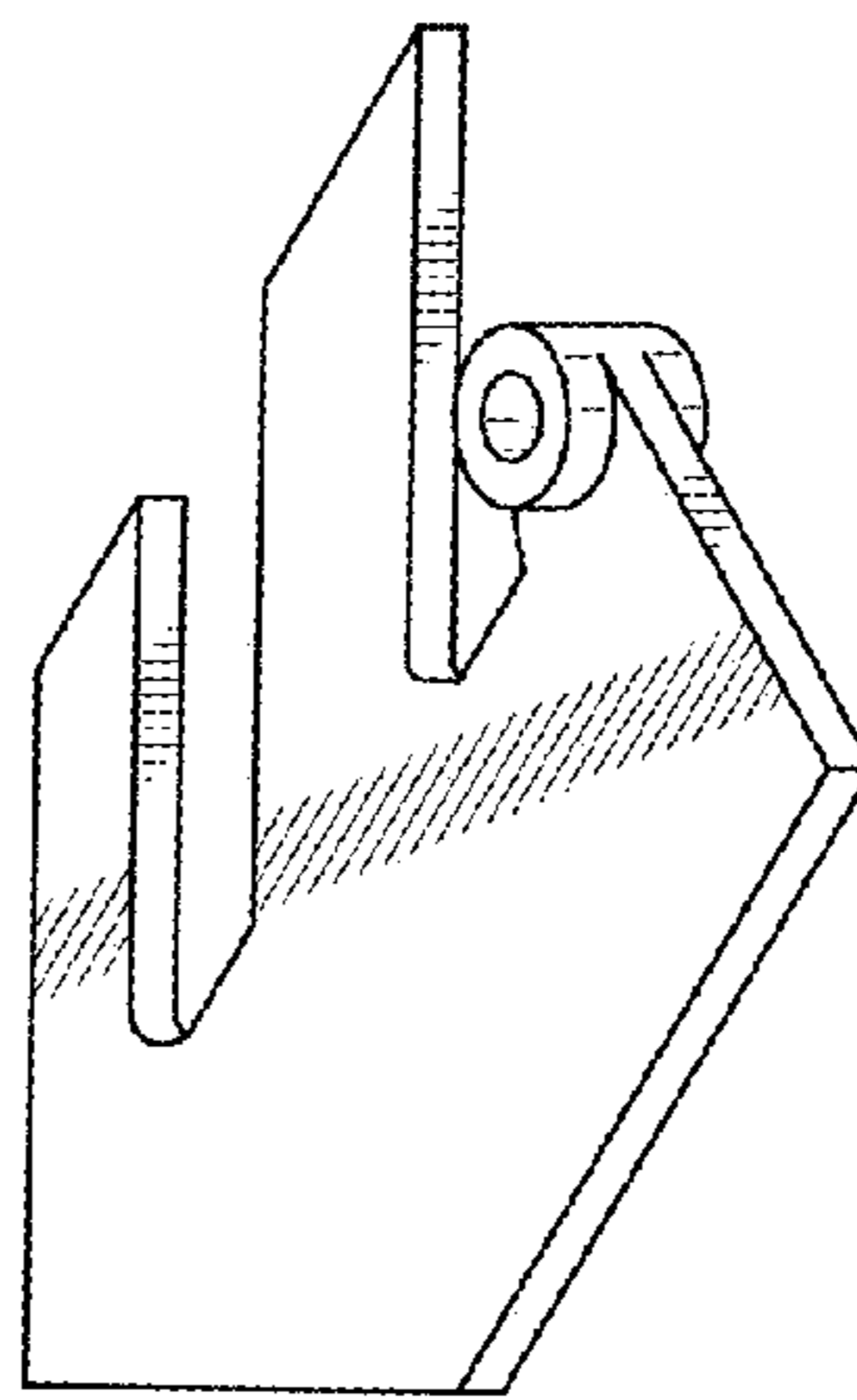


FIG. 14