



US00D739218S

(12) **United States Design Patent**
Chang

(10) **Patent No.:** **US D739,218 S**

(45) **Date of Patent:** **** Sep. 22, 2015**

(54) **CONNECTION SOCKET FOR FURNITURE PART**

(71) Applicant: **Hyo Cheol Chang**, Incheon (KR)

(72) Inventor: **Hyo Cheol Chang**, Incheon (KR)

(**) Term: **14 Years**

(21) Appl. No.: **29/483,187**

(22) Filed: **Feb. 26, 2014**

(51) **LOC (10) Cl.** **08-08**

(52) **U.S. Cl.**
USPC **D8/382**

(58) **Field of Classification Search**
USPC D8/349, 350, 353, 354, 355, 356, 359,
D8/366, 367, 373, 374, 381, 382, 383, 384,
D8/385, 386; D6/709, 709.2, 709.18,
D6/709.21, 691, 711
CPC A47B 2210/00; A47B 2210/09; A47B
2220/00; A47B 2220/0002; A47B 2220/0036;
A47B 2230/00; A47B 2230/0003; A47B
13/00; A47B 13/003; A47B 13/02; A47B
13/021; A47B 13/06

See application file for complete search history.

(56) **References Cited**

U.S. PATENT DOCUMENTS

2,649,612	A *	8/1953	Loomis	16/94 R
4,128,284	A *	12/1978	King	312/348.2
D270,413	S *	9/1983	Gutner et al.	D8/374
D309,707	S *	8/1990	Barnes	D8/381
D310,165	S *	8/1990	Cobb	D8/381
D331,873	S *	12/1992	Finkelstein et al.	D8/381
D334,135	S *	3/1993	Fraker et al.	D8/363
D364,794	S *	12/1995	Eberschlag	D8/354
5,598,785	A *	2/1997	Zaguroli, Jr.	104/111
D385,774	S *	11/1997	Fraquelli	D8/354
D389,729	S *	1/1998	Boeshart	D8/380
D393,416	S *	4/1998	Tisbo	D8/381
5,979,599	A *	11/1999	Noles	182/36

D427,894	S *	7/2000	Benz et al.	D8/382
D445,615	S *	7/2001	Burke	D6/509
D450,568	S *	11/2001	Sachs	D8/382
D470,348	S *	2/2003	Herron et al.	D6/492
D558,040	S *	12/2007	Skinner	D8/382
D558,041	S *	12/2007	Skinner	D8/382
D581,773	S *	12/2008	Meres et al.	D8/382
D585,682	S *	2/2009	Liss et al.	D6/509
D600,105	S *	9/2009	Harris	D8/382
D604,599	S *	11/2009	Prichard et al.	D8/382
D616,291	S *	5/2010	Roberts et al.	D8/382
7,900,300	B1 *	3/2011	Roberts et al.	5/400
D640,916	S *	7/2011	Sias	D8/382
D644,503	S *	9/2011	Crane et al.	D8/382
D648,160	S *	11/2011	Le	D6/511
D684,033	S *	6/2013	Preda	D8/354
D689,760	S *	9/2013	Chen	D8/354
8,544,229	B2 *	10/2013	Kilgore et al.	52/489.2
D695,599	S *	12/2013	Rechberg et al.	D8/377
2003/0102417	A1 *	6/2003	East et al.	248/300
2013/0312363	A1 *	11/2013	Bedard	52/745.15

* cited by examiner

Primary Examiner — Eric Goodman

Assistant Examiner — Bao-Yen Nguyen

(74) *Attorney, Agent, or Firm* — John K. Park; Park Law Firm

(57) **CLAIM**

The ornamental design for a connection socket for furniture part, as shown and described.

DESCRIPTION

FIG. 1 is a perspective view of a connection socket for furniture part showing my new design;
FIG. 2 is a front view thereof;
FIG. 3 is a rear view thereof;
FIG. 4 is a top view thereof;
FIG. 5 is a bottom view thereof;
FIG. 6 is a left side view thereof; and,
FIG. 7 is a right side view thereof.

1 Claim, 2 Drawing Sheets

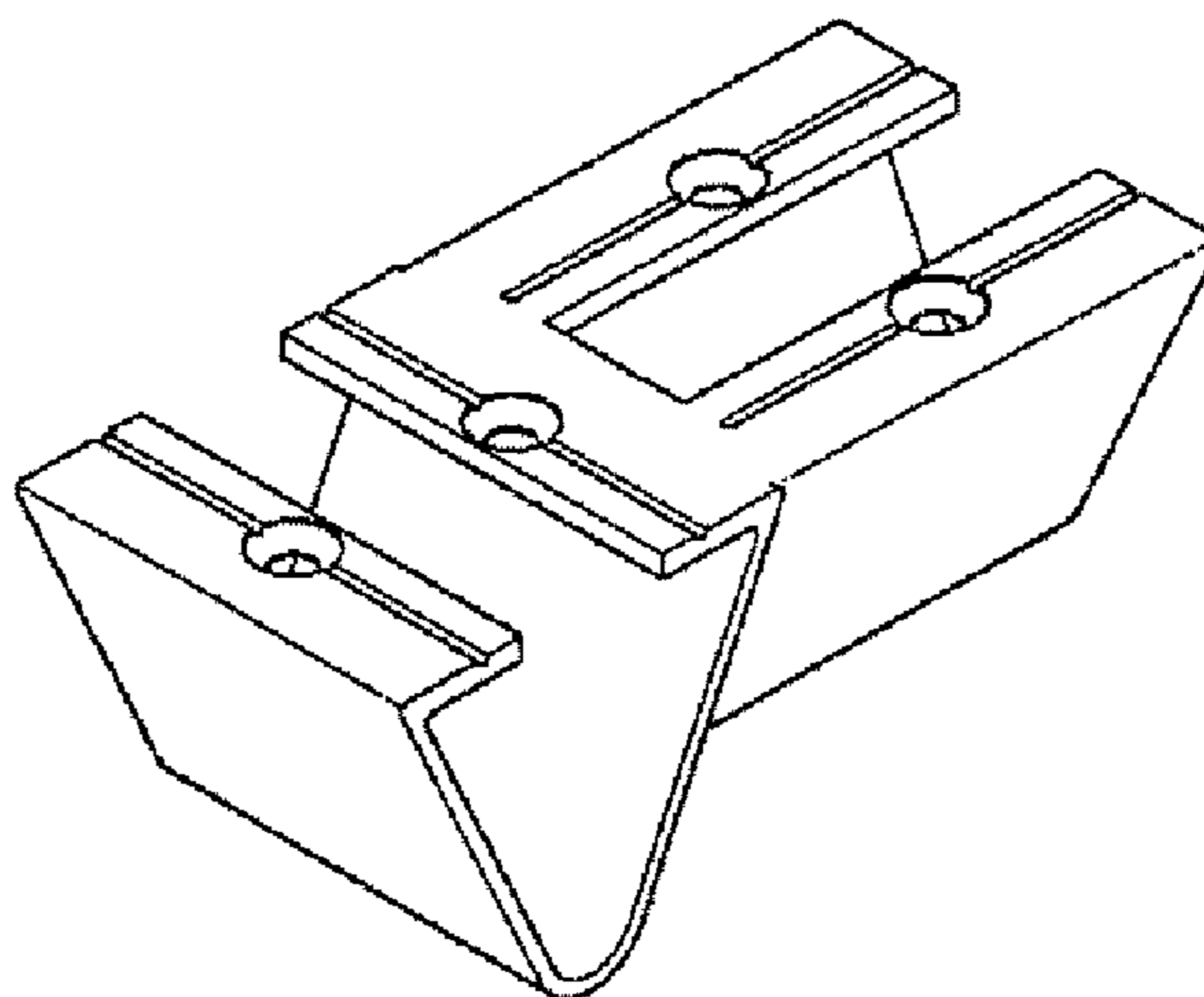


FIG. 1

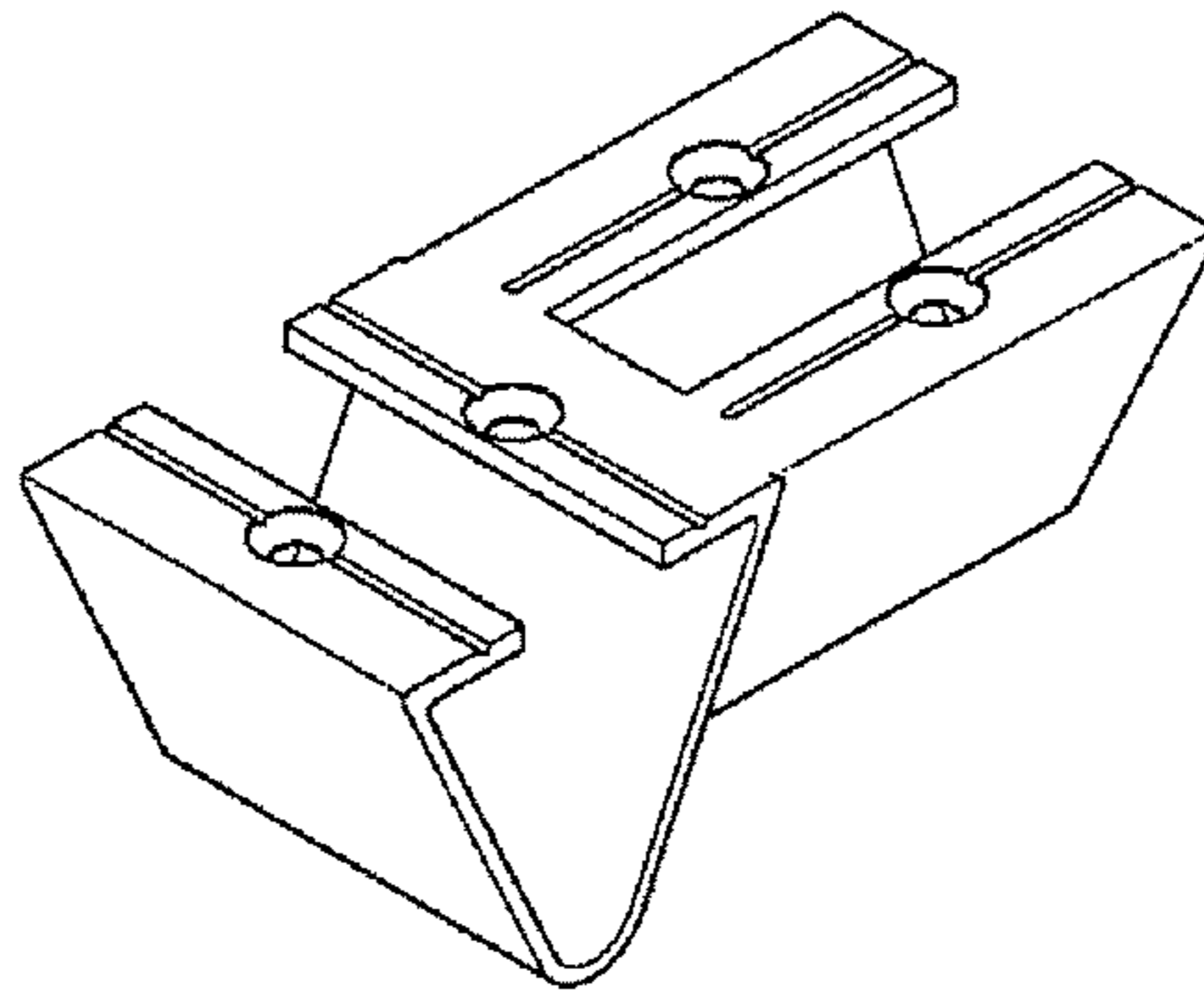


FIG.2

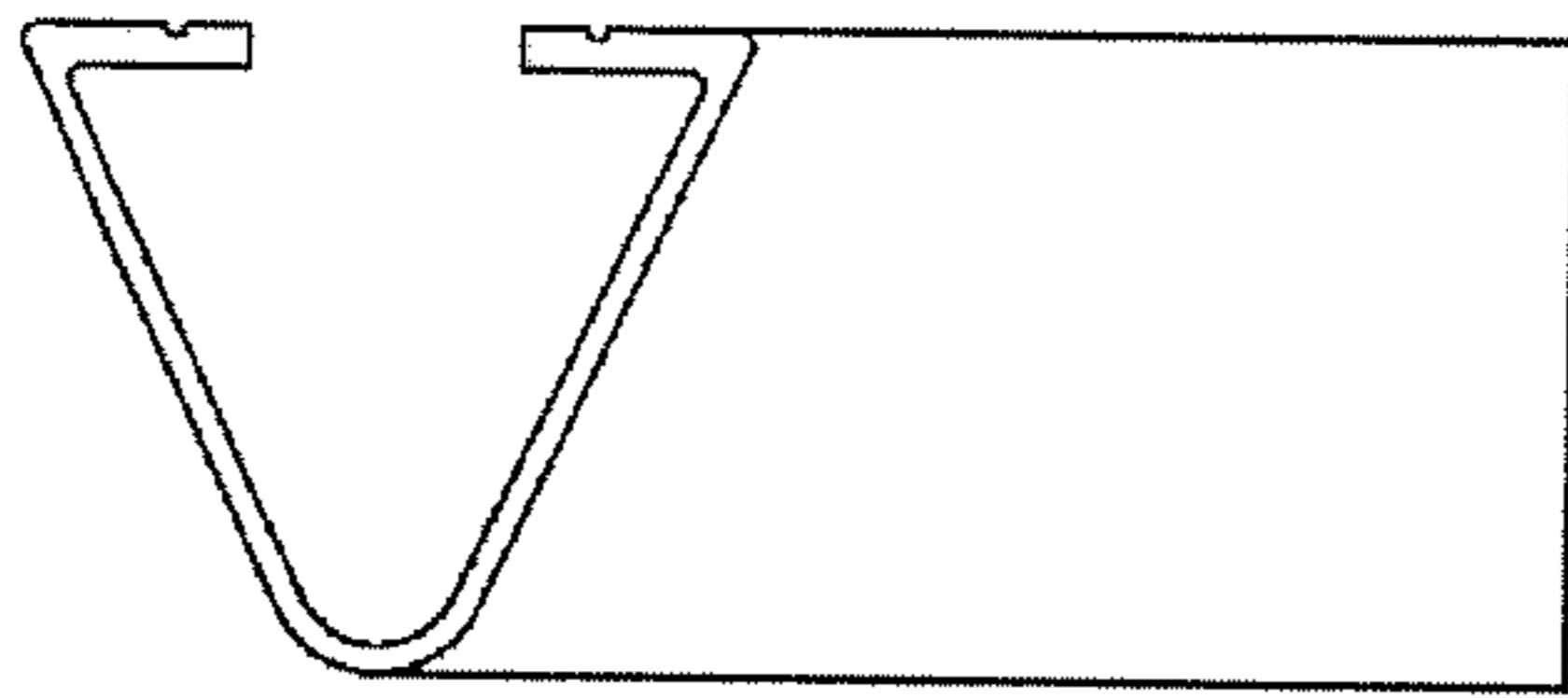


FIG.3

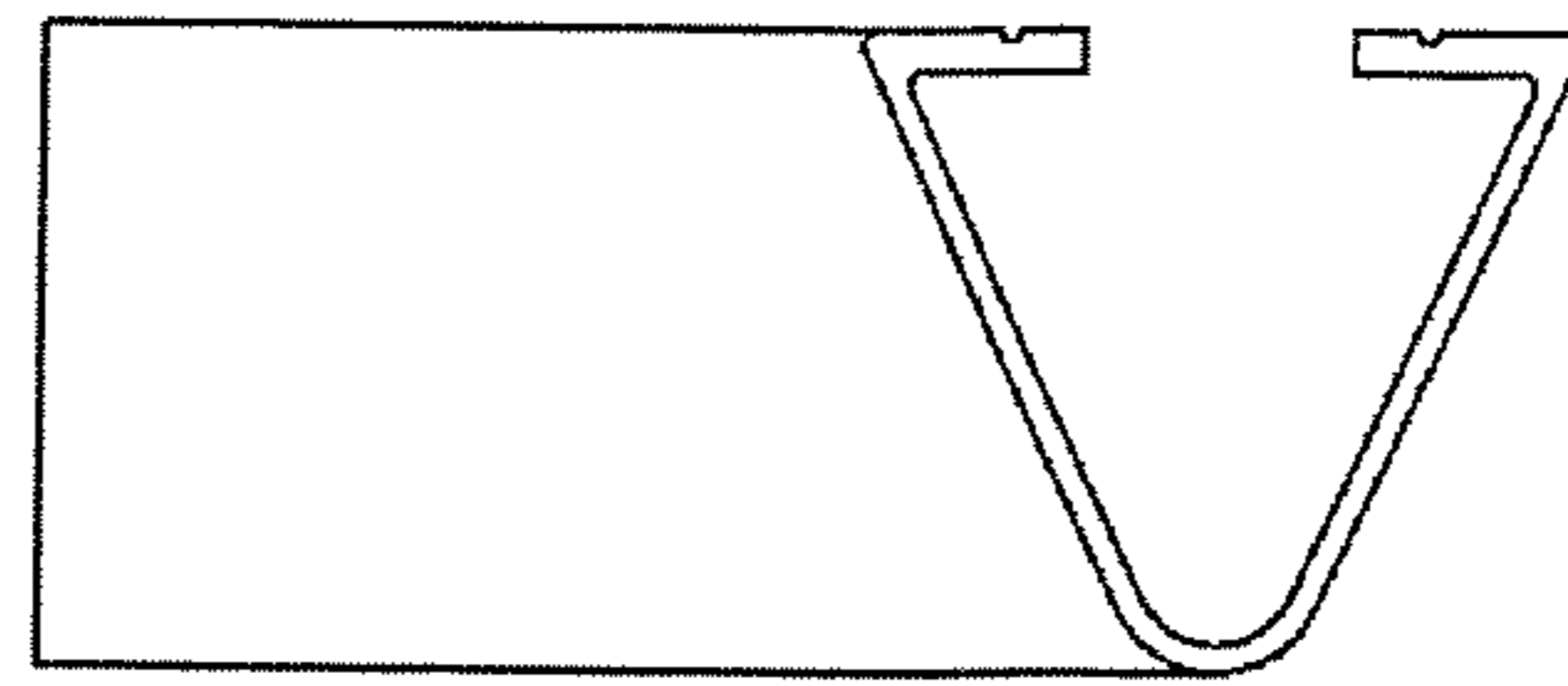


FIG.4

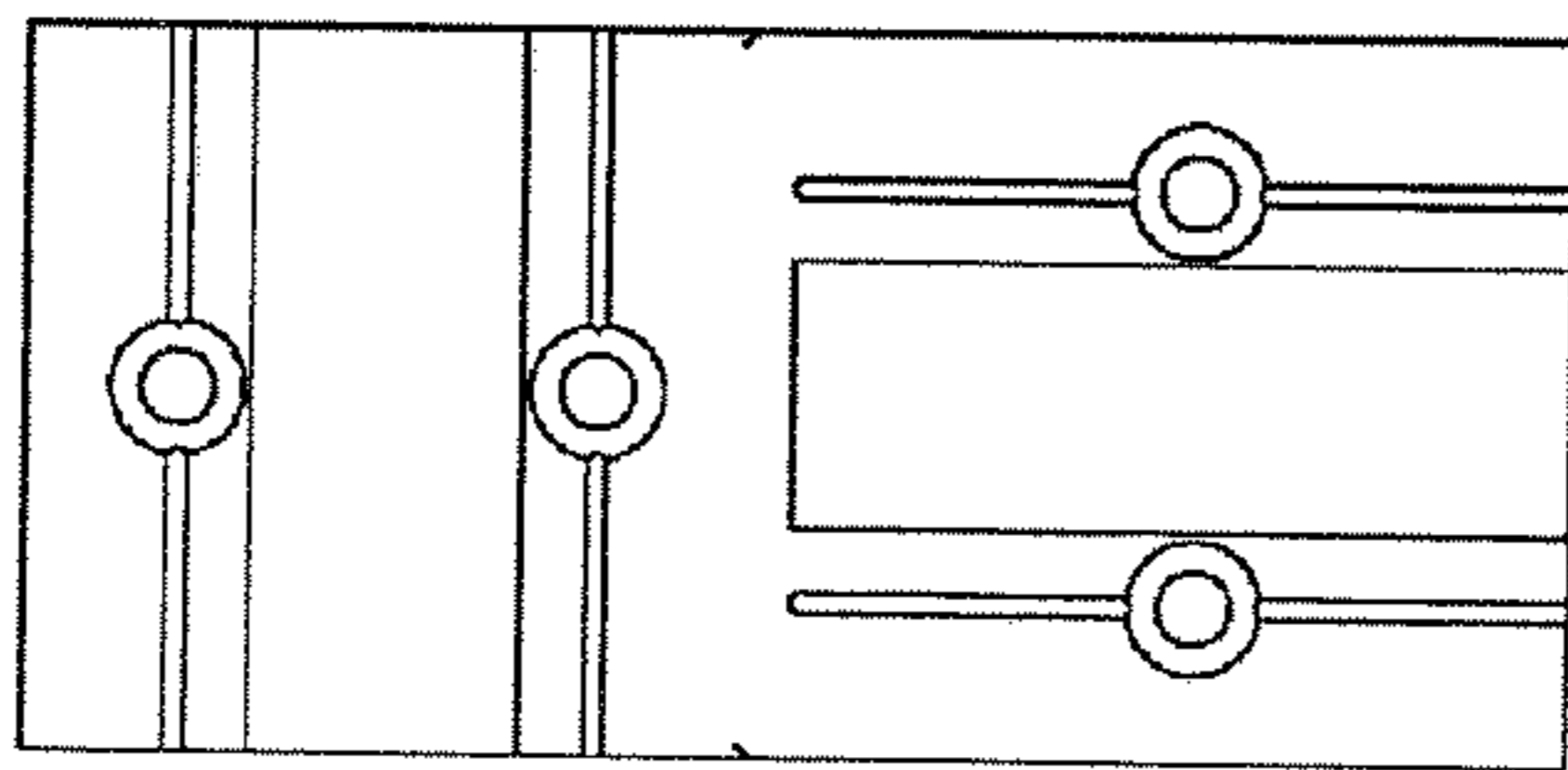


FIG.5

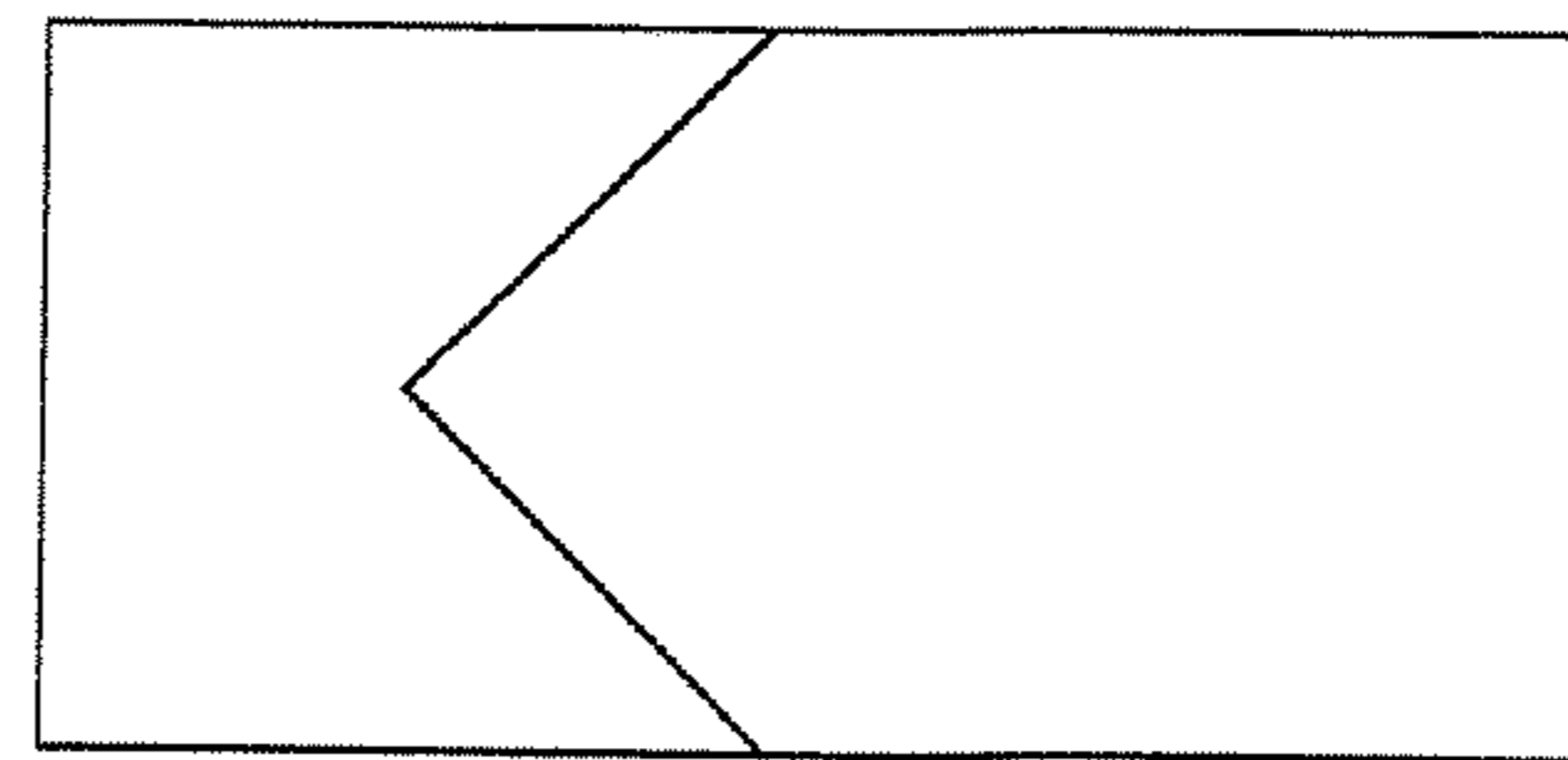


FIG.6

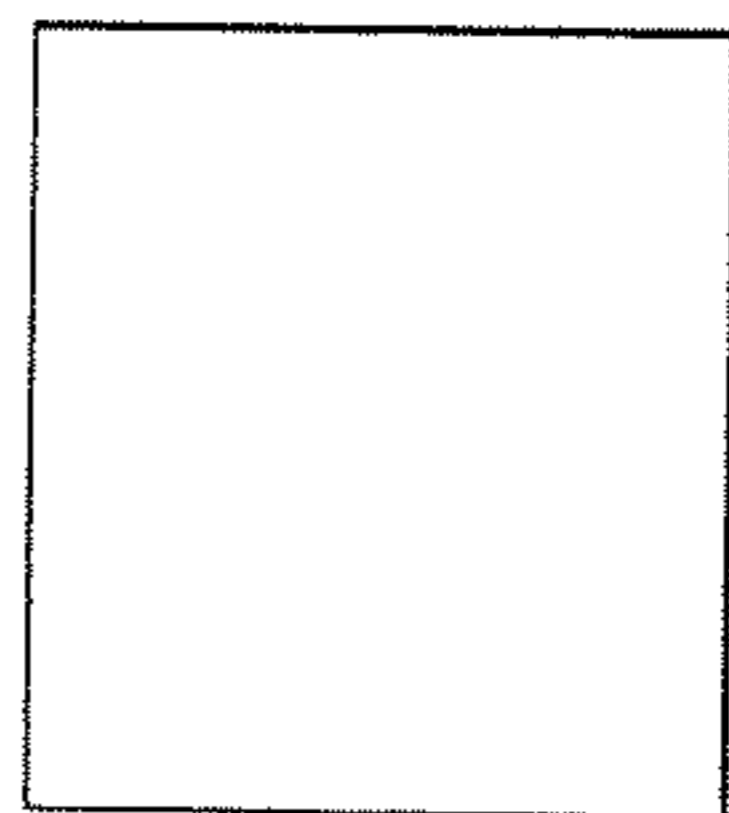


FIG.7

