



US00D739217S

(12) **United States Design Patent**  
**Wu**

(10) **Patent No.:** **US D739,217 S**

(45) **Date of Patent:** **\*\* Sep. 22, 2015**

(54) **PLATFORM BRACKET**

(71) Applicant: **Chia-Lun Wu**, Tainan (TW)

(72) Inventor: **Chia-Lun Wu**, Tainan (TW)

(\*\*) Term: **14 Years**

(21) Appl. No.: **29/476,752**

(22) Filed: **Dec. 17, 2013**

(51) **LOC (10) Cl.** ..... **08-05**

(52) **U.S. Cl.**  
USPC ..... **D8/380**

(58) **Field of Classification Search**  
USPC ..... D8/349, 354–355, 380, 382–383, 386,  
D8/388, 391, 394; D13/155, 102, 118,  
D13/154, 184, 199; D25/119, 123, 124,  
D25/125; D21/484, 500, 504  
CPC ..... F24J 2/07; F24J 2/14; F24J 2/541;  
F24J 2/542; F24J 2/38; Y02E 10/47; Y02E  
10/45; Y02E 10/50; Y02E 10/60; Y02E  
10/52; E04H 9/022; E04H 9/021; E02D  
27/34; E04B 1/98; H01L 35/00; H01L  
31/0522; H01L 35/08; H01L 31/052; H01L  
31/042; H01L 31/05; H01L 27/1423; H01L  
31/048; H01L 31/045; H01L 31/055; B64G  
1/443; B64G 1/222; B60G 2202/143  
See application file for complete search history.

(56) **References Cited**

**U.S. PATENT DOCUMENTS**

D73,182 S \* 8/1927 Kasch ..... D8/310  
4,844,649 A \* 7/1989 Vandenoorn ..... 403/172  
D380,405 S \* 7/1997 Obatake ..... D11/89

D404,285 S \* 1/1999 Skudelny ..... D8/354  
D404,292 S \* 1/1999 Weber ..... D8/378  
D413,787 S \* 9/1999 Kuo ..... D8/363  
D427,948 S \* 7/2000 Mottern et al. .... D12/120  
D546,100 S \* 7/2007 De Boes ..... D6/407  
D551,591 S \* 9/2007 Wesorick ..... D11/131  
D592,391 S \* 5/2009 McMullin ..... D2/962  
D614,477 S \* 4/2010 Edwards ..... D8/354  
2011/0315085 A1 \* 12/2011 Lindgren ..... 119/203  
2012/0247035 A1 \* 10/2012 Zook ..... 52/81.3

\* cited by examiner

*Primary Examiner* — Sheryl Lane

*Assistant Examiner* — Nathaniel D Buckner

(74) *Attorney, Agent, or Firm* — Alan D. Kamrath; Kamrath  
IP Lawfirm, P.A.

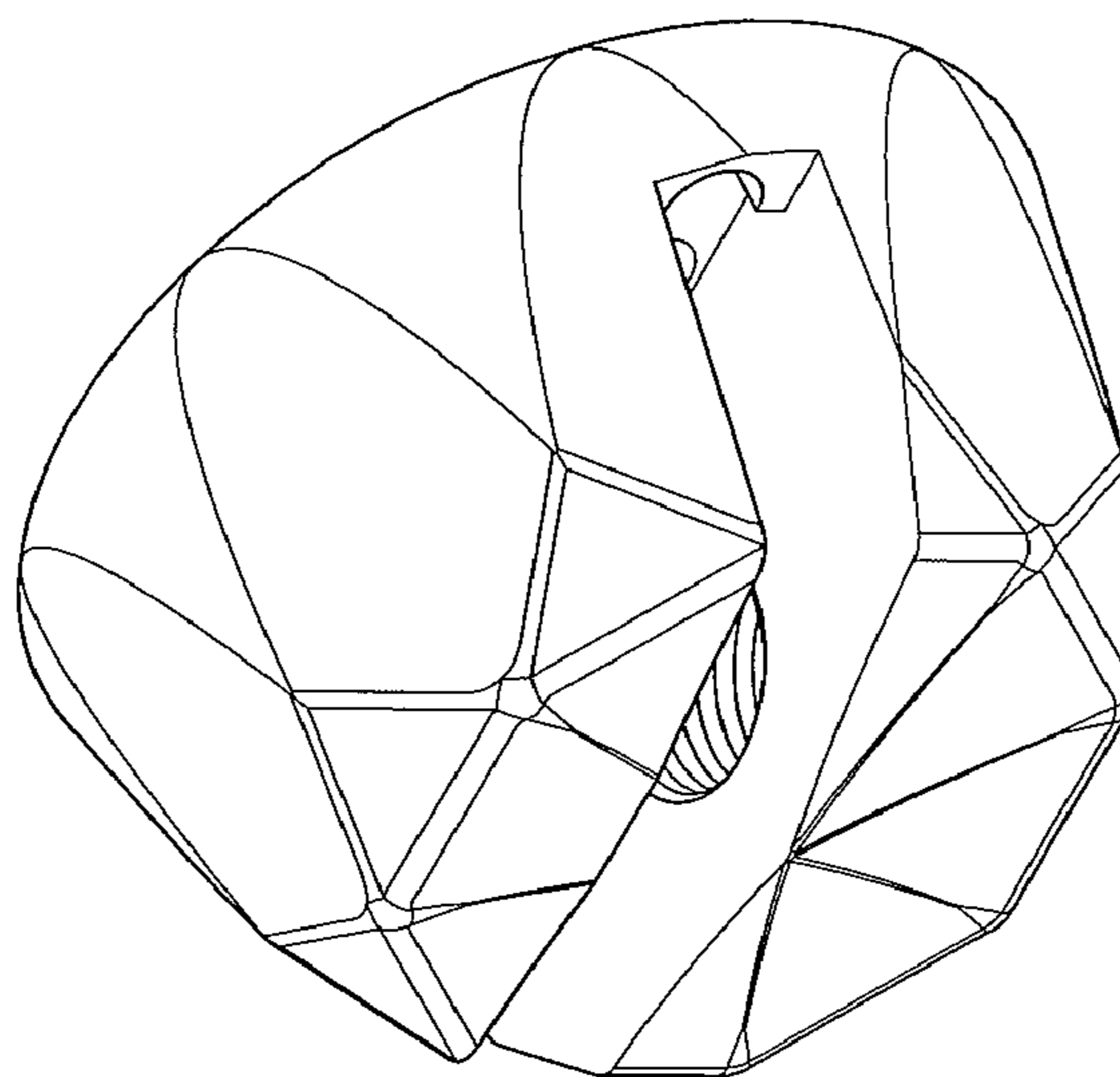
(57) **CLAIM**

The ornamental design for a platform bracket, as shown and  
described.

**DESCRIPTION**

FIG. 1 is a perspective view of a platform bracket showing my  
design;  
FIG. 2 is a front elevational view thereof;  
FIG. 3 is a rear elevational view thereof;  
FIG. 4 is a left elevational view thereof;  
FIG. 5 is a right elevational view thereof;  
FIG. 6 is a top plan view thereof; and,  
FIG. 7 is a bottom plan view thereof.  
The broken lines present in the figures are included for the  
purpose of illustrating portions of the article that form no part  
of the claimed design.

**1 Claim, 4 Drawing Sheets**



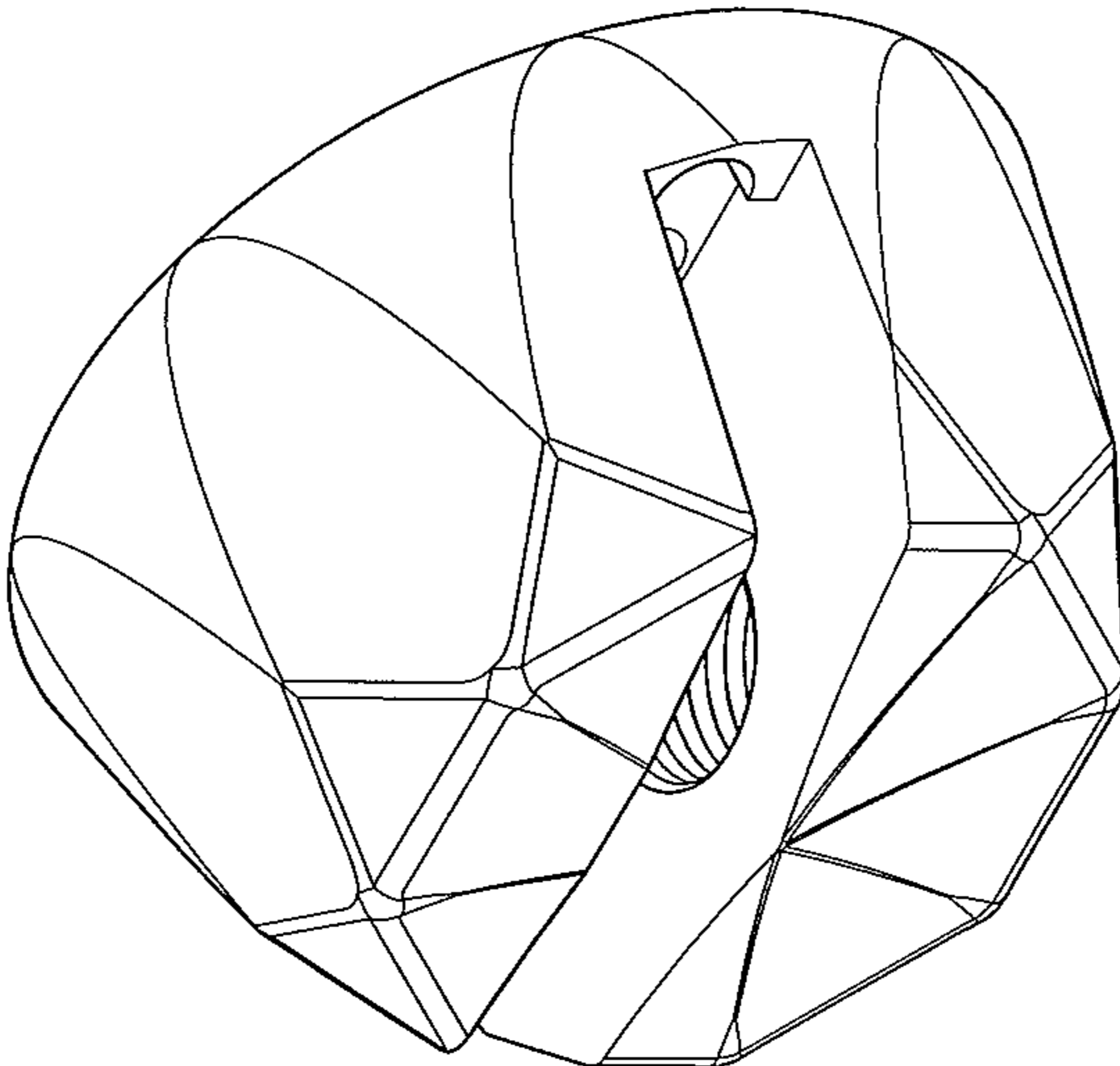


FIG. 1

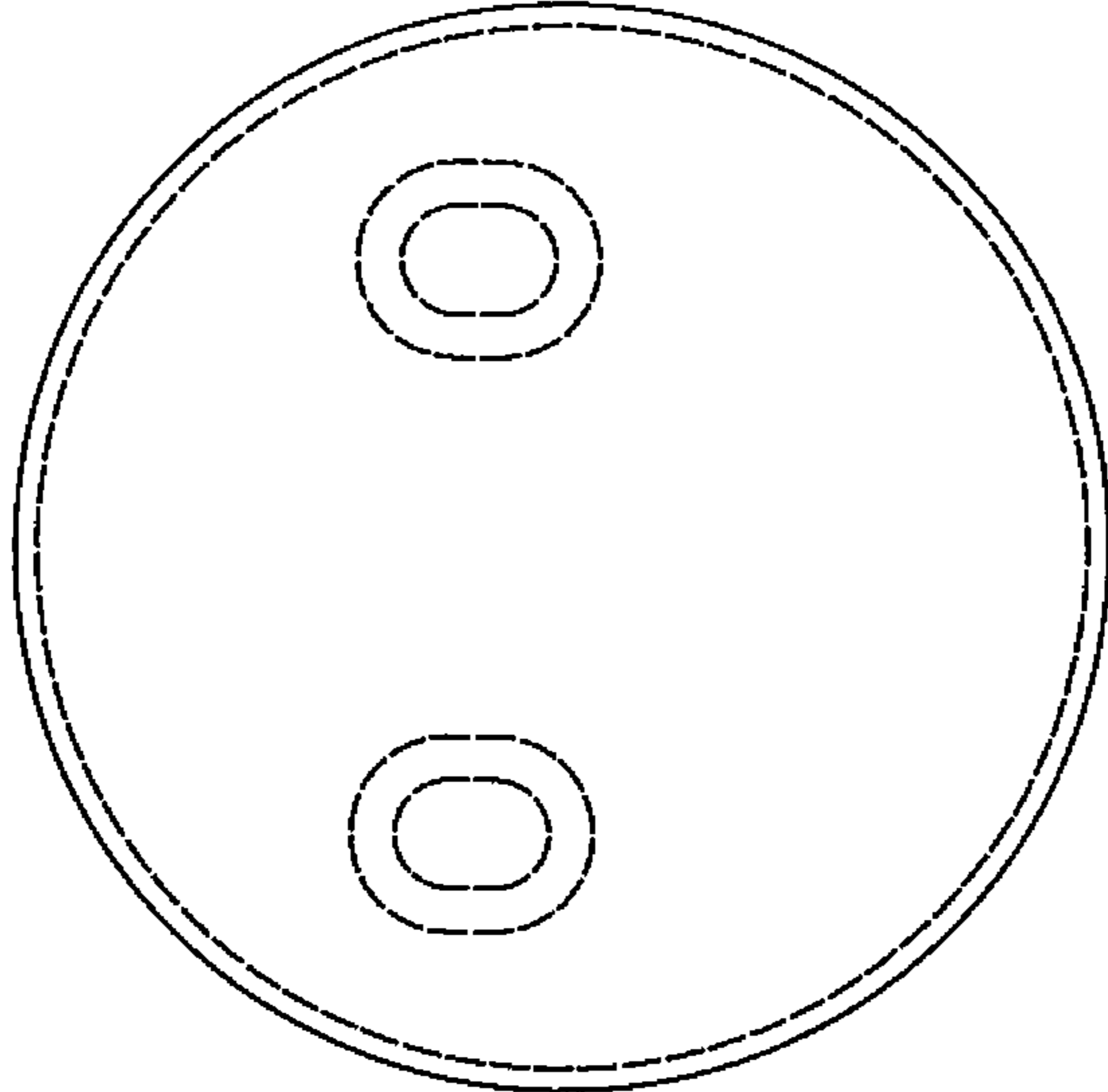


FIG. 3

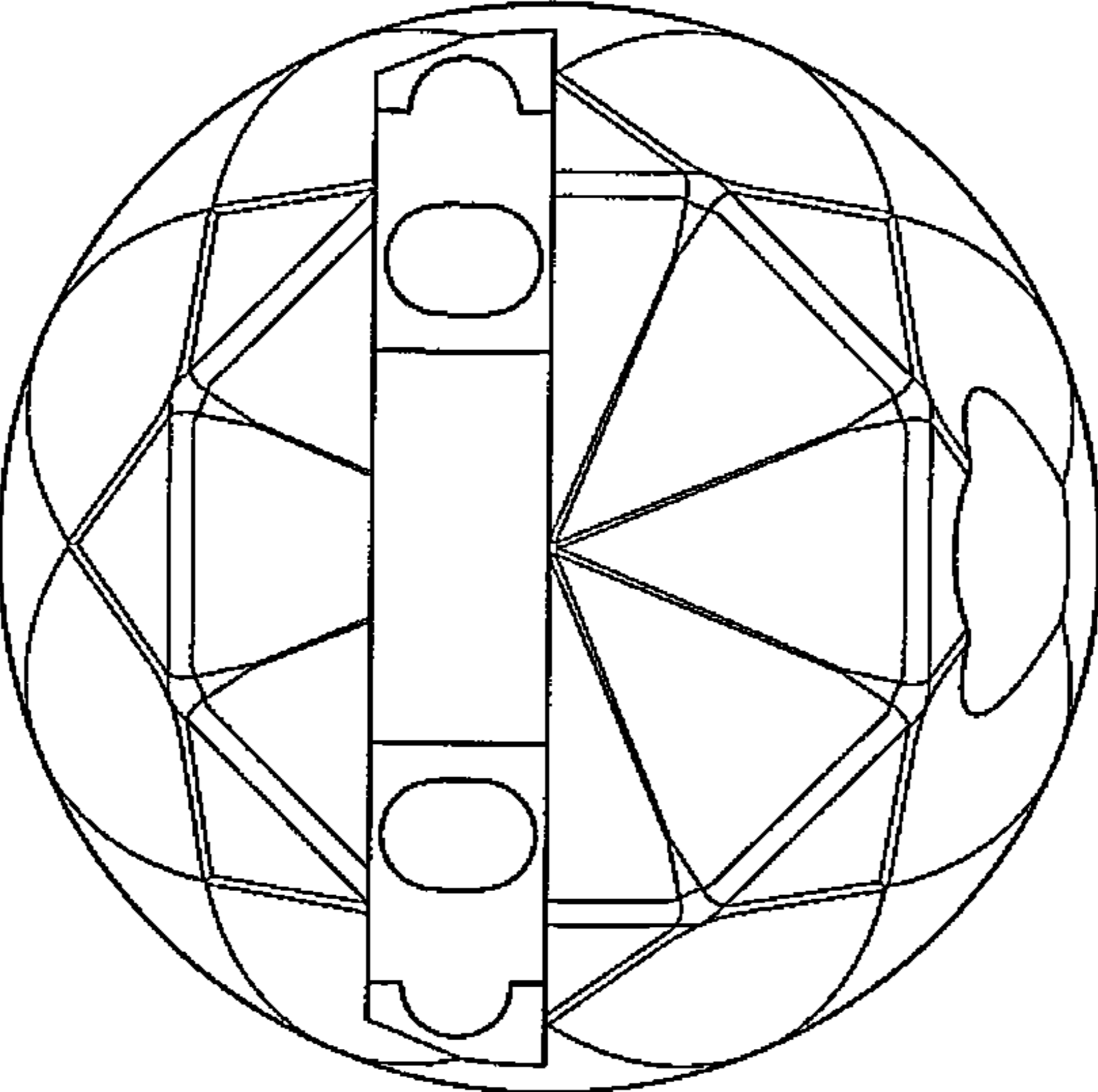


FIG. 2

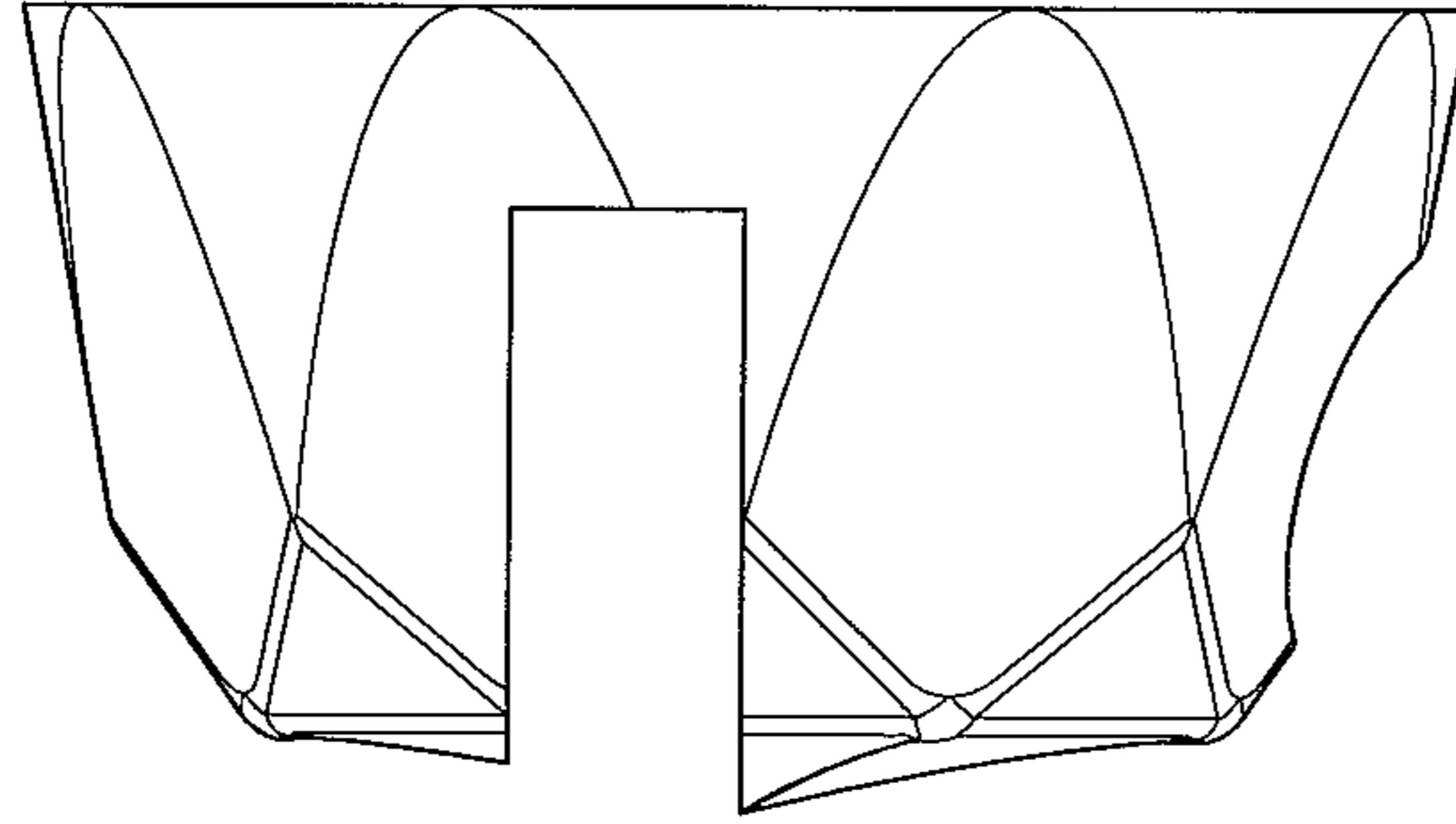


FIG. 5

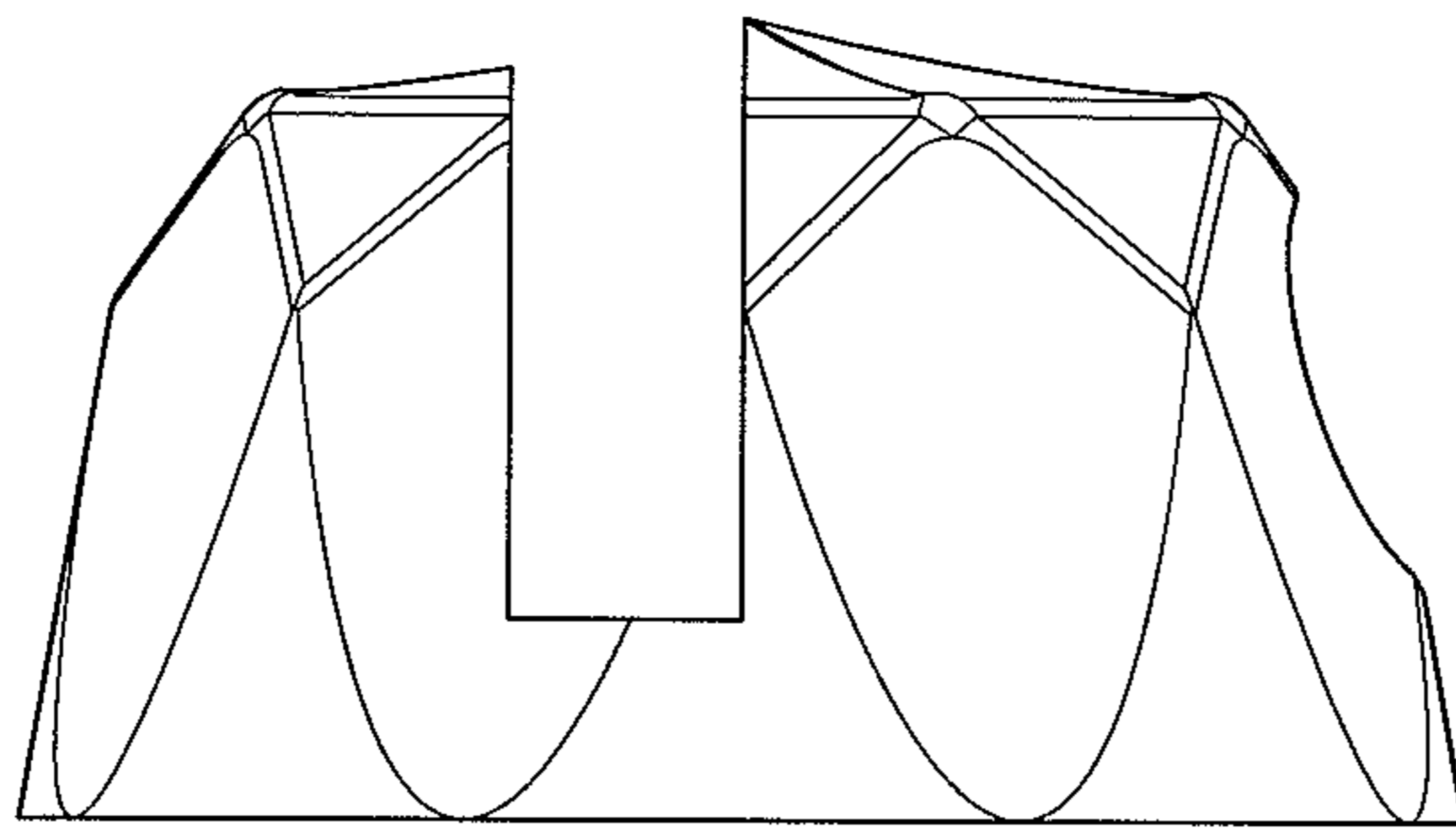


FIG. 4

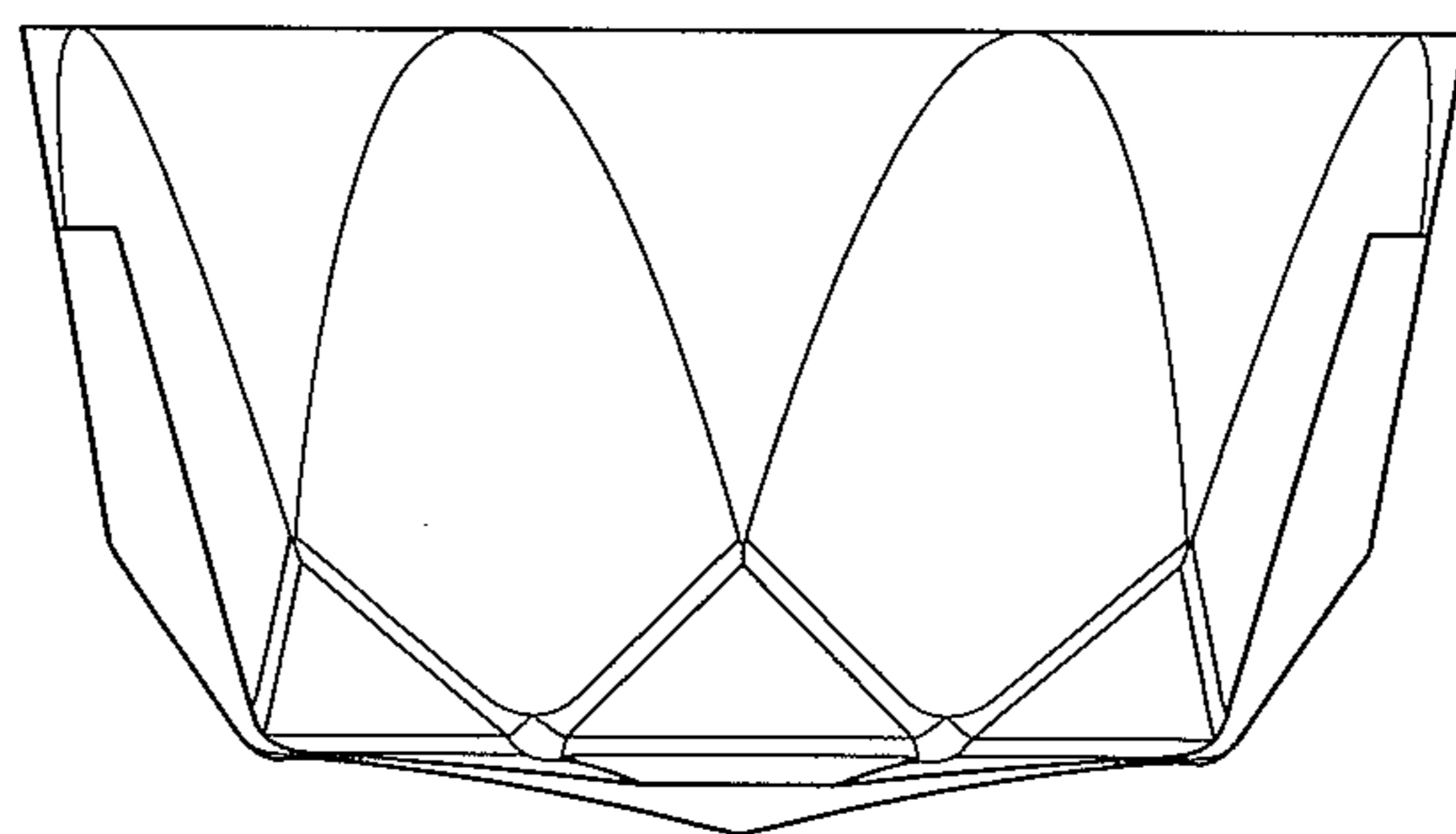


FIG. 6

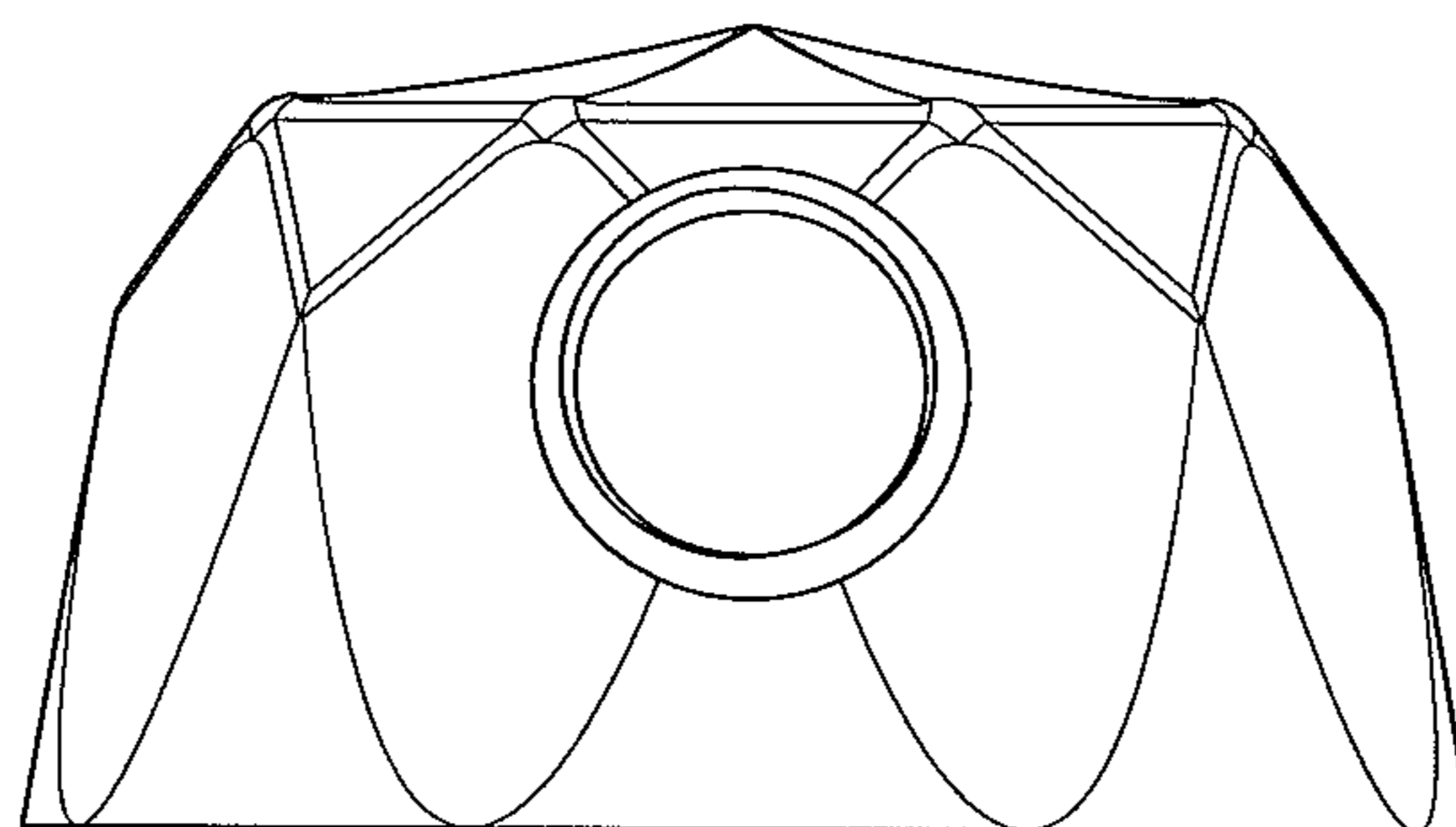


FIG. 7