



US00D739216S

(12) **United States Design Patent**
Cole

(10) **Patent No.:** **US D739,216 S**

(45) **Date of Patent:** **** Sep. 22, 2015**

(54) **PAIR OF PICNIC TABLE ROLLERS**

(71) Applicant: **Erin Cole**, Campbell River (CA)

(72) Inventor: **Erin Cole**, Campbell River (CA)

(**) Term: **14 Years**

(21) Appl. No.: **29/494,867**

(22) Filed: **Jun. 25, 2014**

(51) **LOC (10) Cl.** **08-05**

(52) **U.S. Cl.**
USPC **D8/375**

(58) **Field of Classification Search**

USPC D24/183; D12/19; 16/31 R, 18 R, 29,
16/35 D, 35 R, 37, 45; D3/318; D34/27
CPC B60B 33/0002; B60B 33/0049; B60B
33/0042; B60B 33/0068; B60B 33/0057;
B60B 33/0073; B60B 33/0028; B60B
33/0039; B60B 33/0021; B60B 33/00; B60B
33/0005; B60B 33/0018; B60B 33/0007;
B60B 33/0023; B60B 33/021

See application file for complete search history.

(56) **References Cited**

U.S. PATENT DOCUMENTS

D306,690 S * 3/1990 Bison D8/382
D559,092 S * 1/2008 Lucht D8/375
7,712,184 B1 * 5/2010 Lewis et al. 16/35 R
8,387,209 B2 * 3/2013 Aubin 16/31 R

FOREIGN PATENT DOCUMENTS

CA 155150 10/2014

* cited by examiner

Primary Examiner — Robert M Spear

Assistant Examiner — Eliza Bennett-Hattan

(74) *Attorney, Agent, or Firm* — Puget Patent; Michael Gibbons

(57) **CLAIM**

The ornamental design for a pair of picnic table rollers, as shown and described.

DESCRIPTION

FIG. 1 is an environmental view of a pair of picnic table rollers showing a typical use of the pair, the pair including a right picnic table roller shown forward and a left picnic table roller shown aft;

FIG. 2 is a top view of a pair of picnic table rollers, the pair including a left picnic table roller and a right picnic table roller;

FIG. 3 is a bottom view thereof;

FIG. 4 is a right side view thereof;

FIG. 5 is a left side view thereof;

FIG. 6 is a front view of a right picnic table roller; and

FIG. 7 is a back view thereof;

FIG. 8 is a front view of a left picnic table roller;

FIG. 9 is a back view thereof; and,

FIG. 10 is an isometric view of a right picnic table roller. It is to be understood that the right picnic table roller depicted in FIG. 10 has a counterpart left picnic table roller, the view of which is a horizontal mirror image of the right picnic table roller that is depicted in FIG. 10.

The broken lines in the drawing depict environmental subject matter only and form no part of the claimed design.

1 Claim, 6 Drawing Sheets

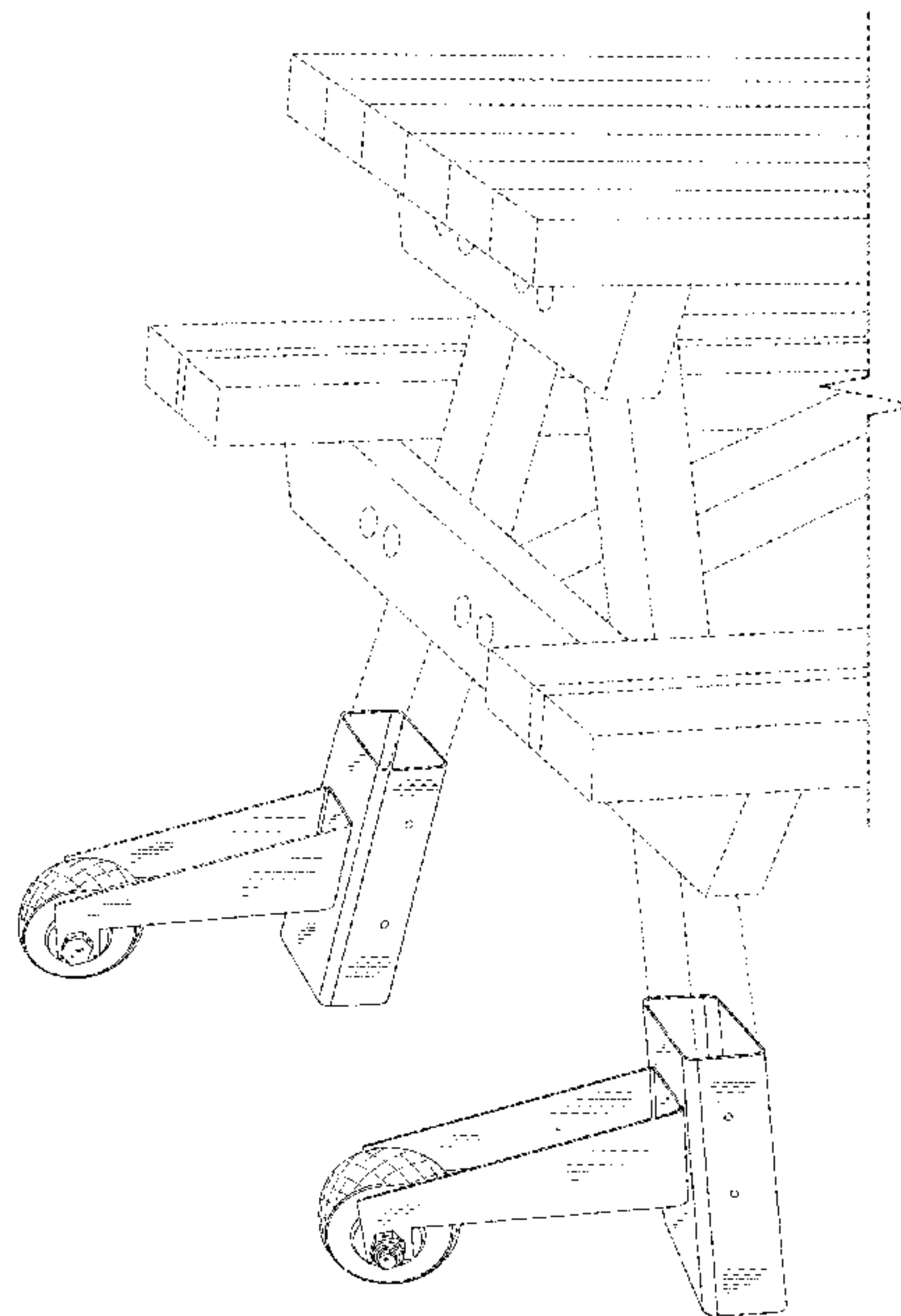
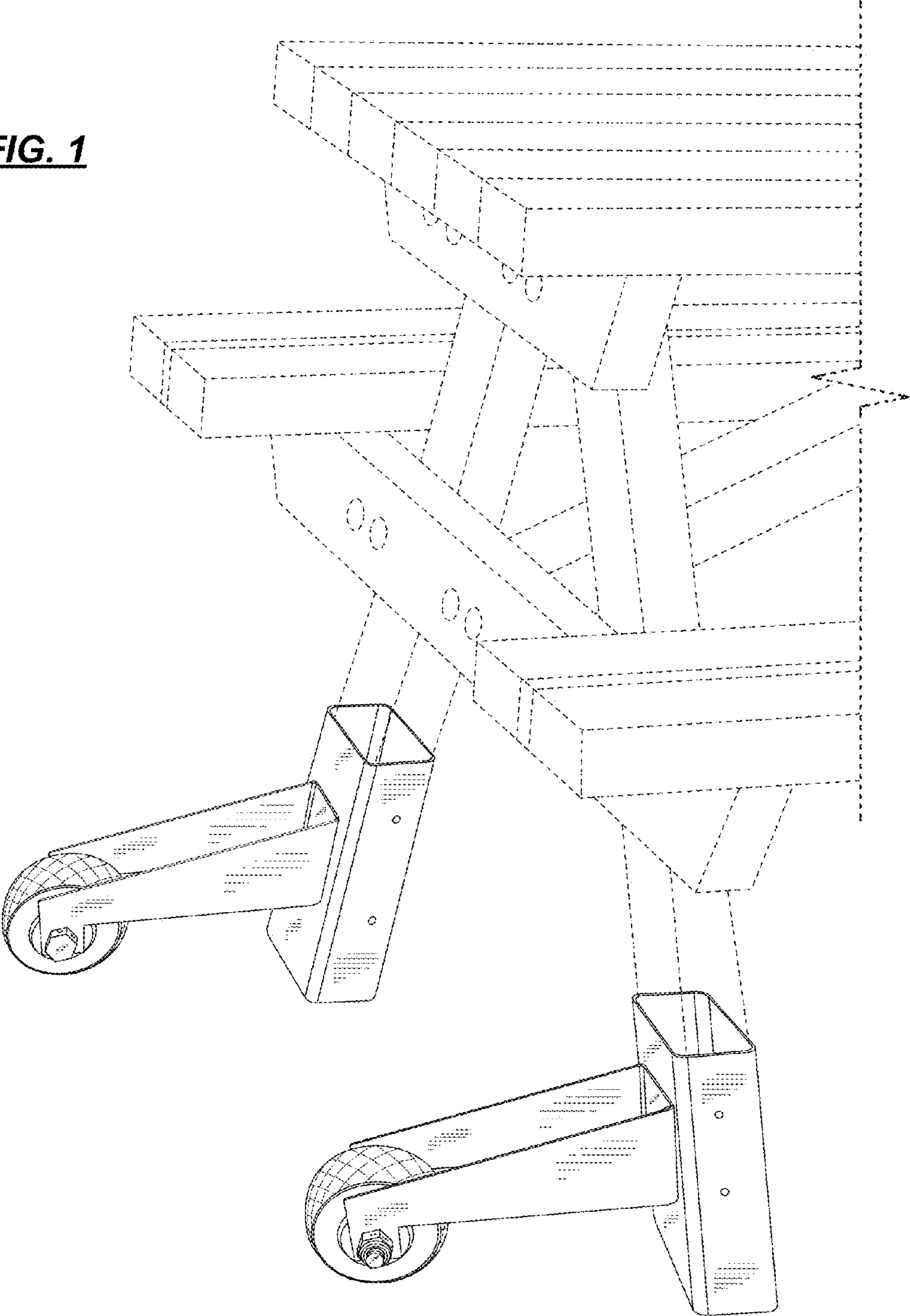


FIG. 1



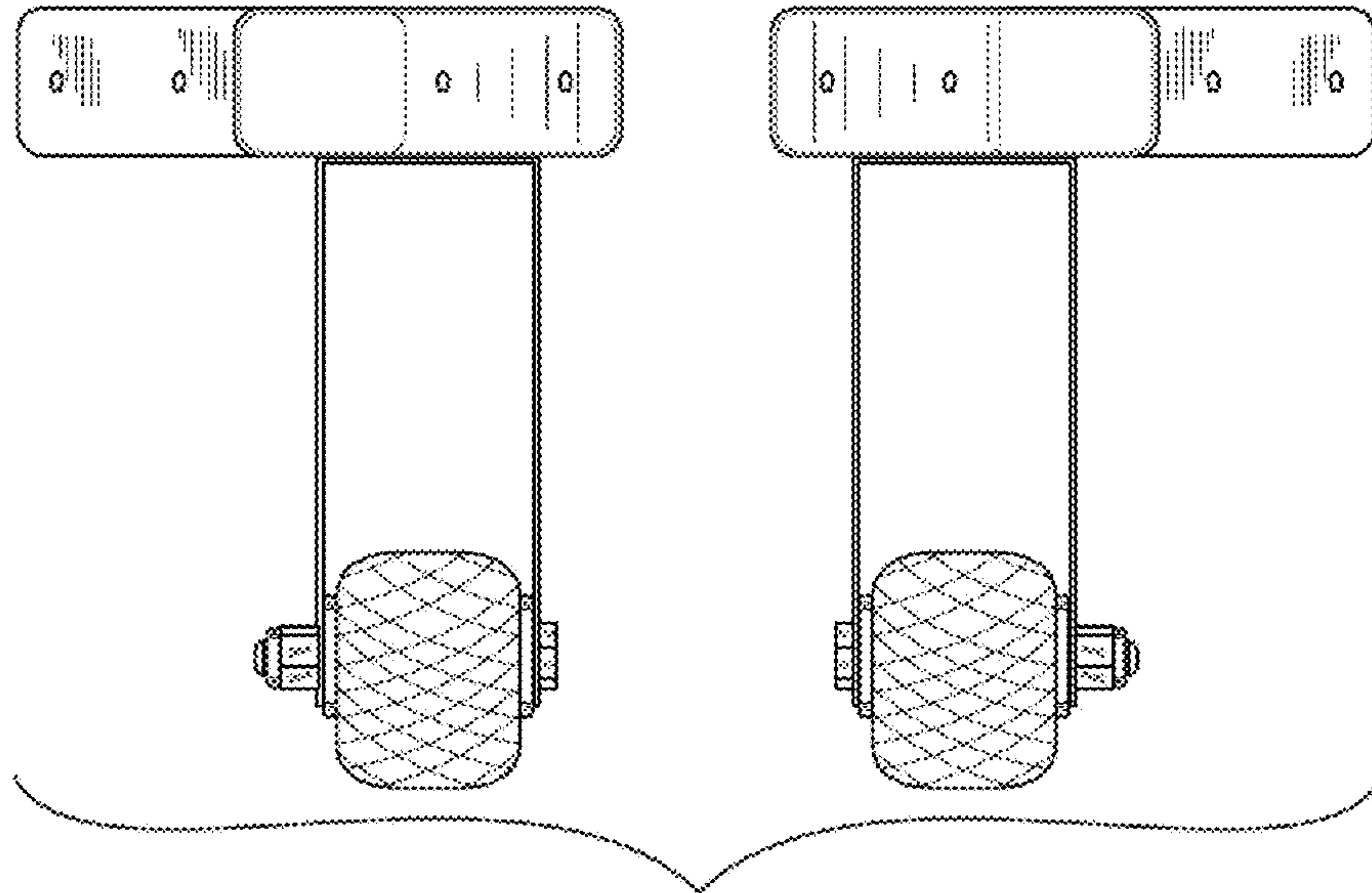


FIG. 2

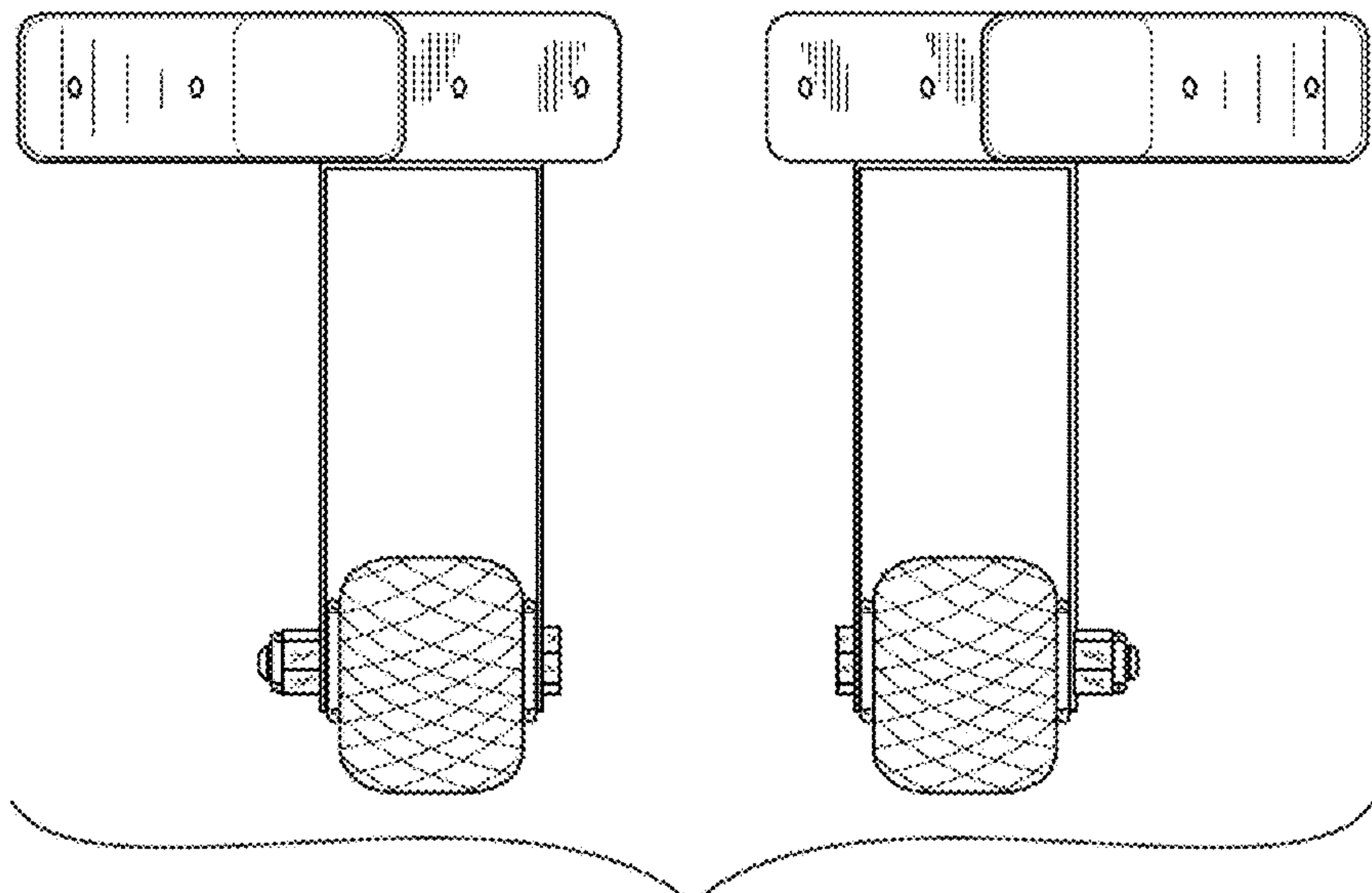


FIG. 3

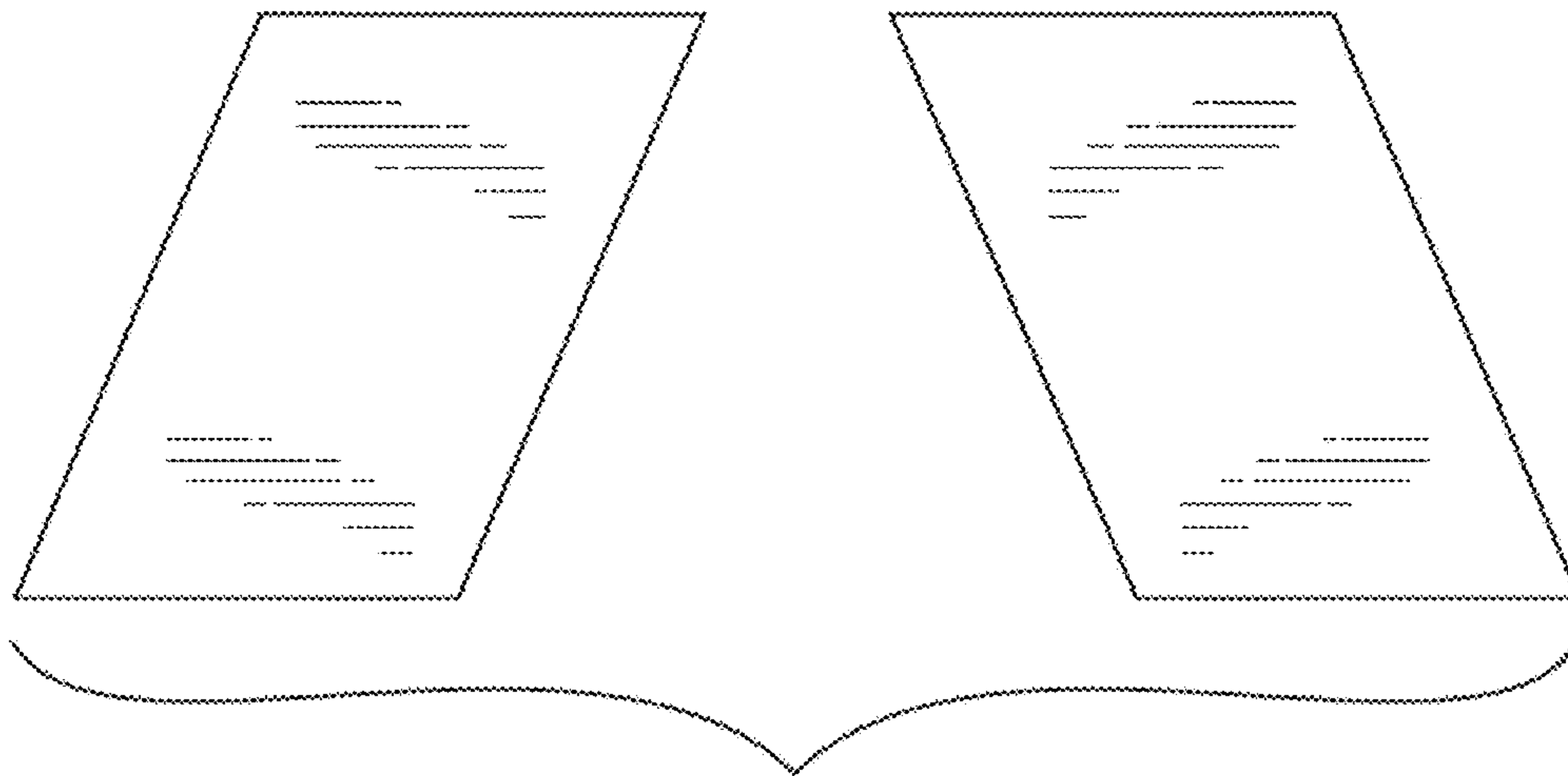


FIG. 4

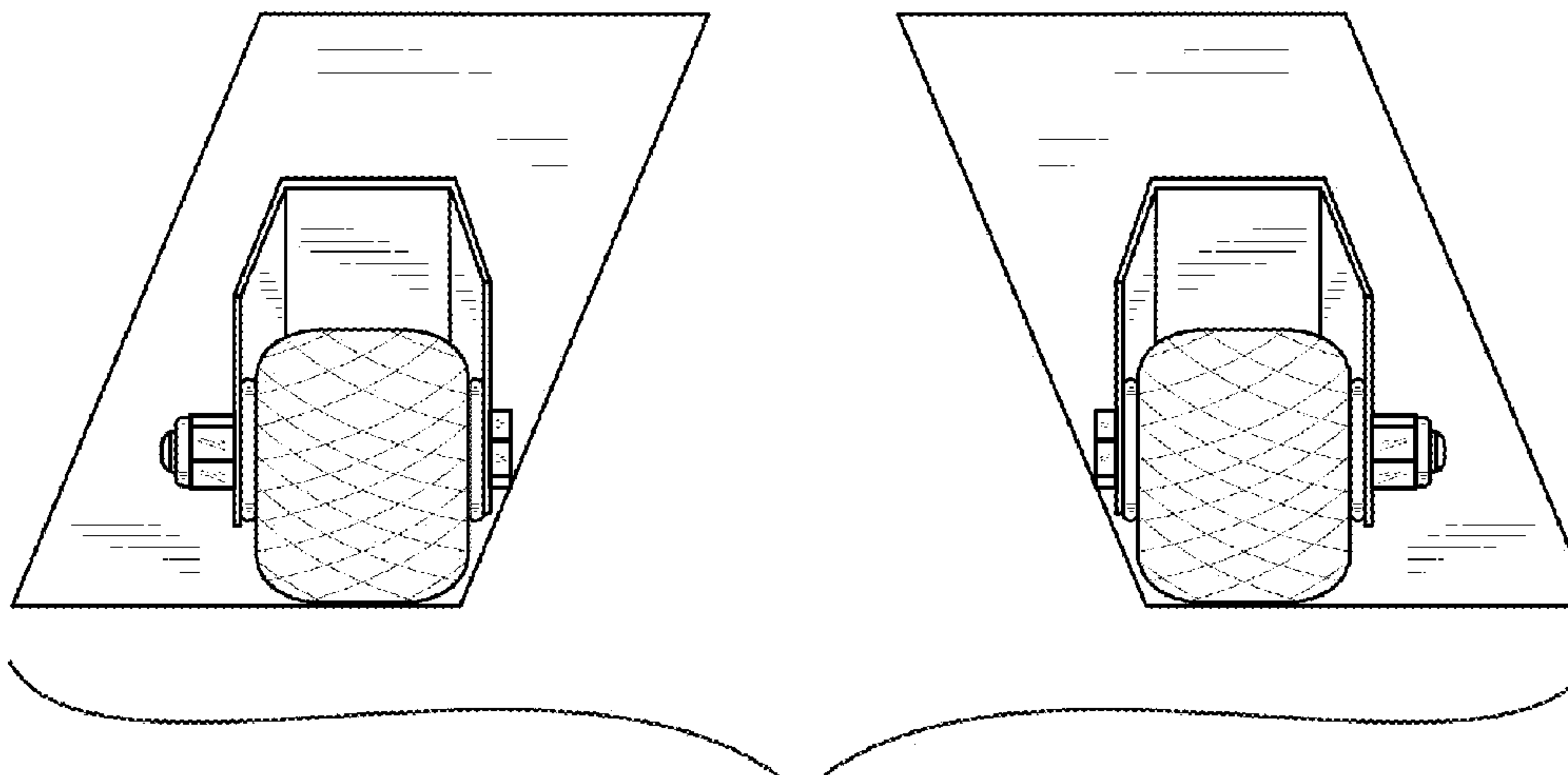


FIG. 5

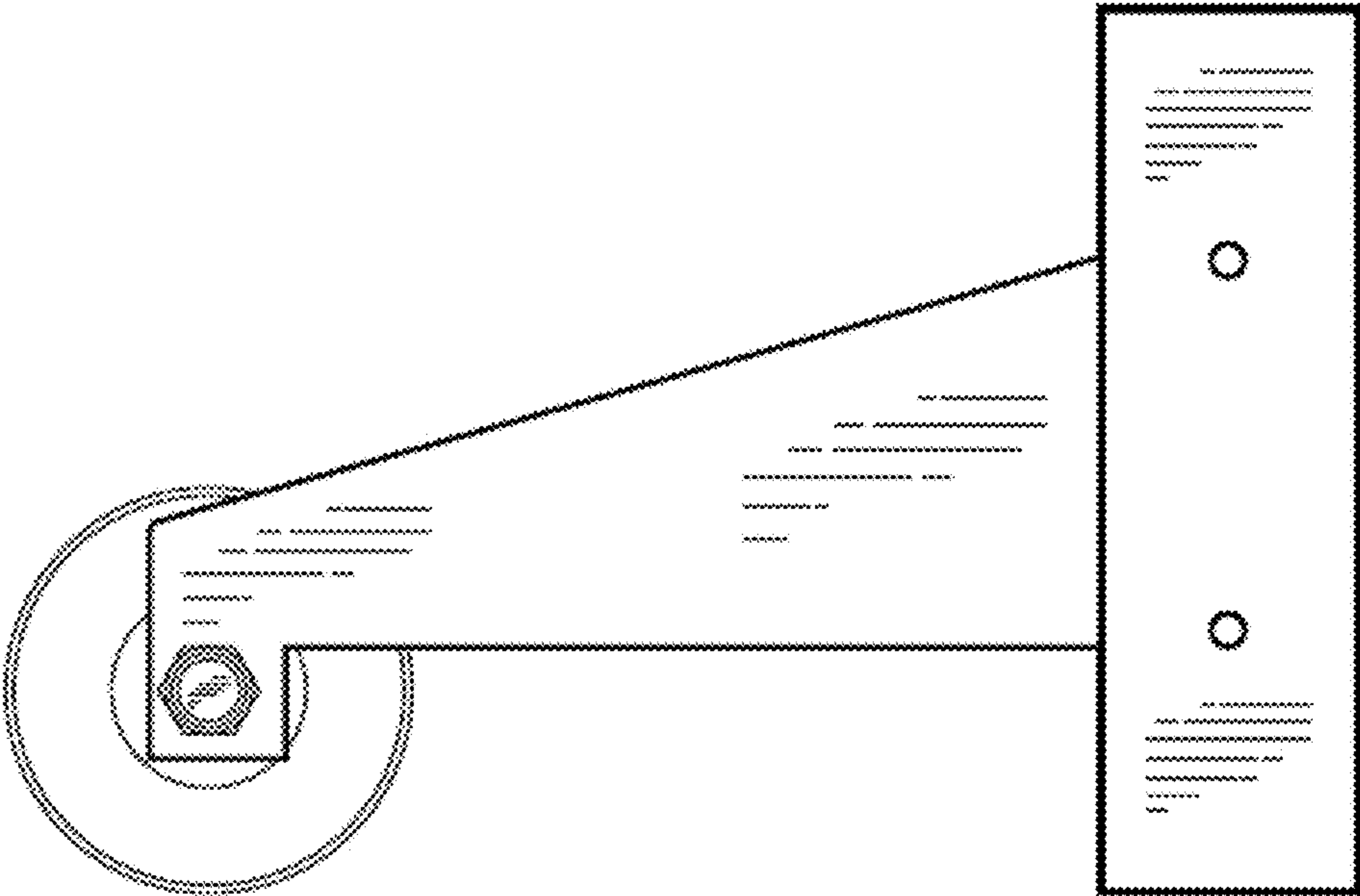


FIG. 6

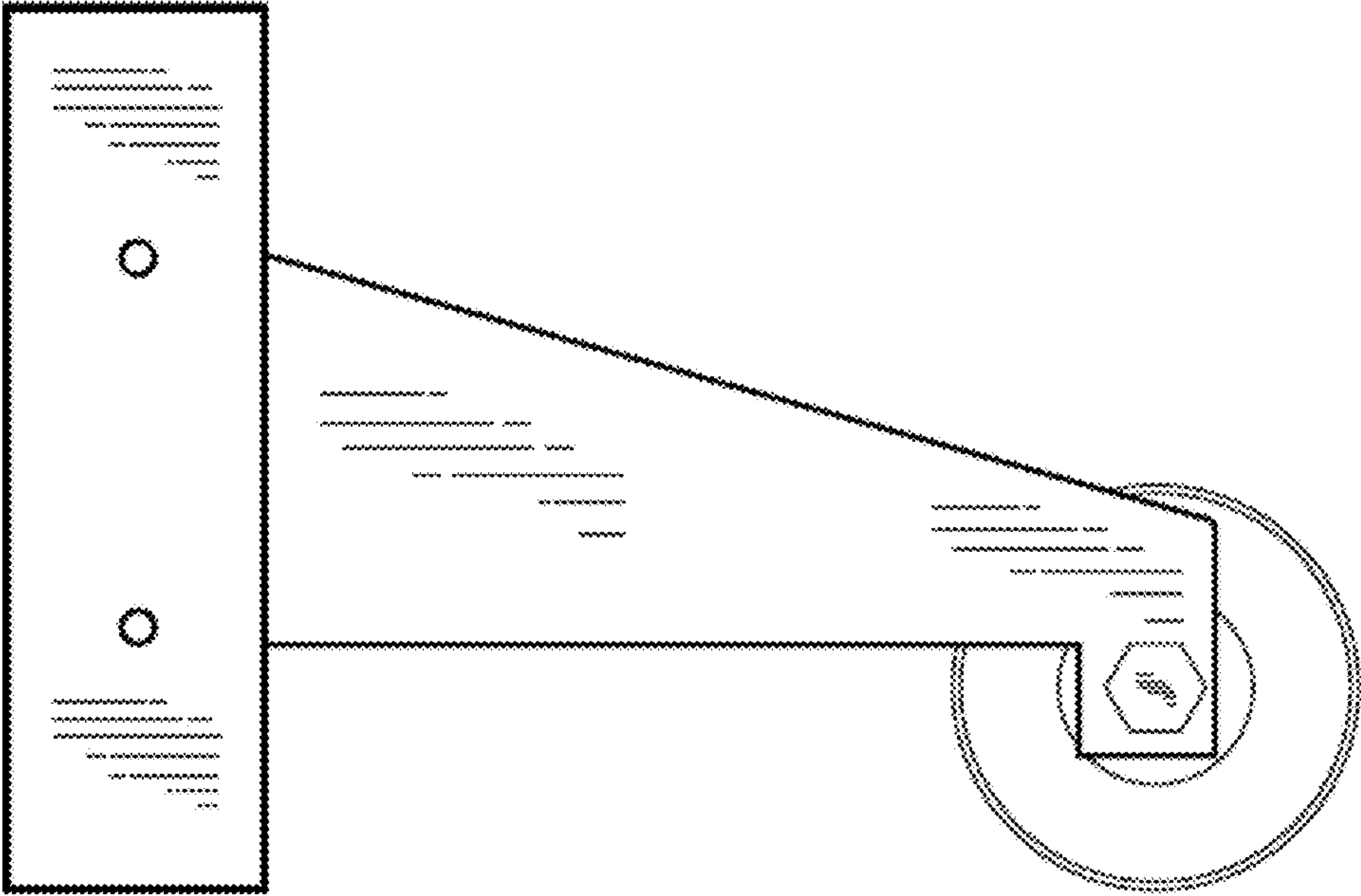


FIG. 7

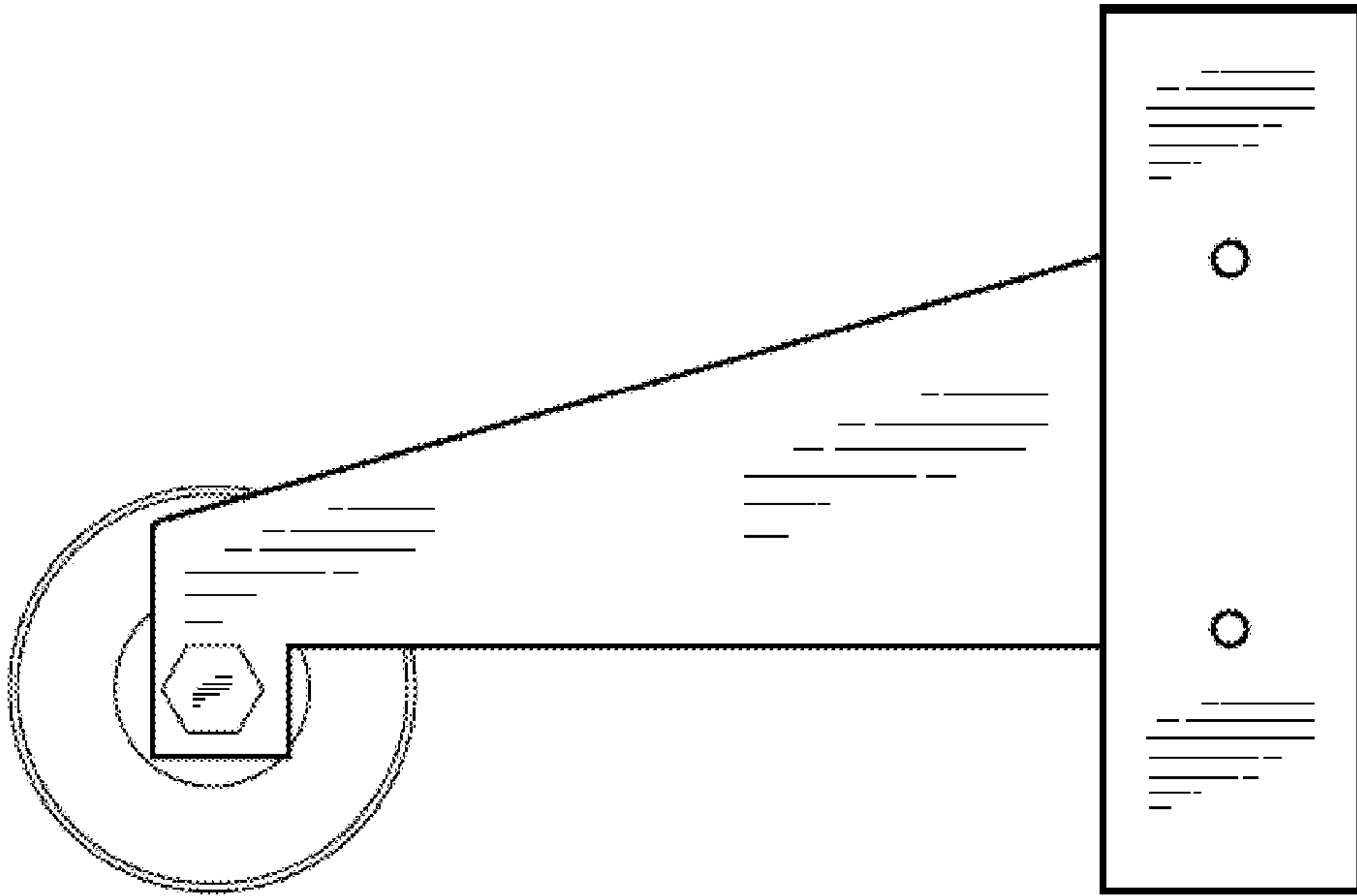


FIG. 8

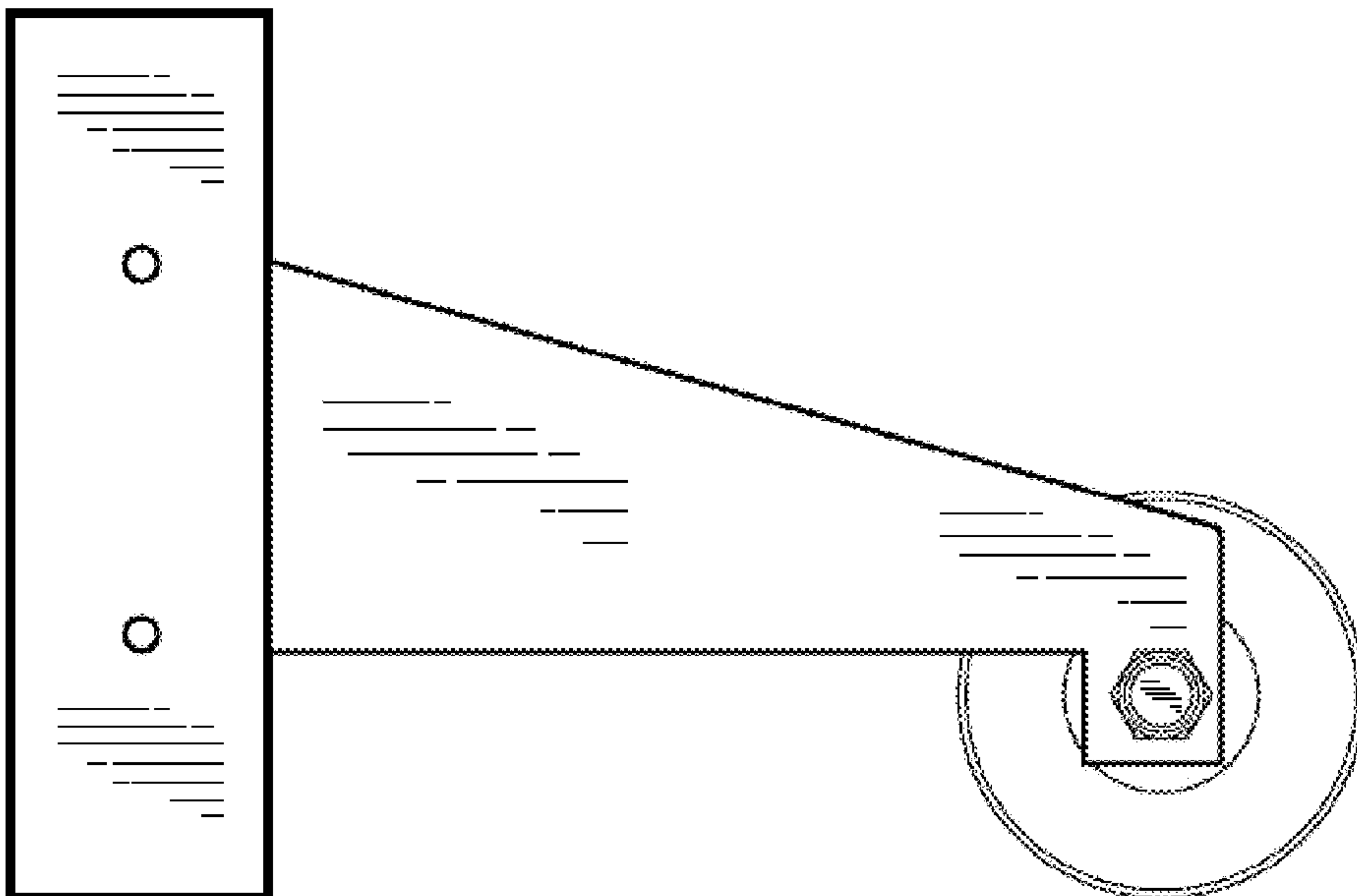


FIG. 9

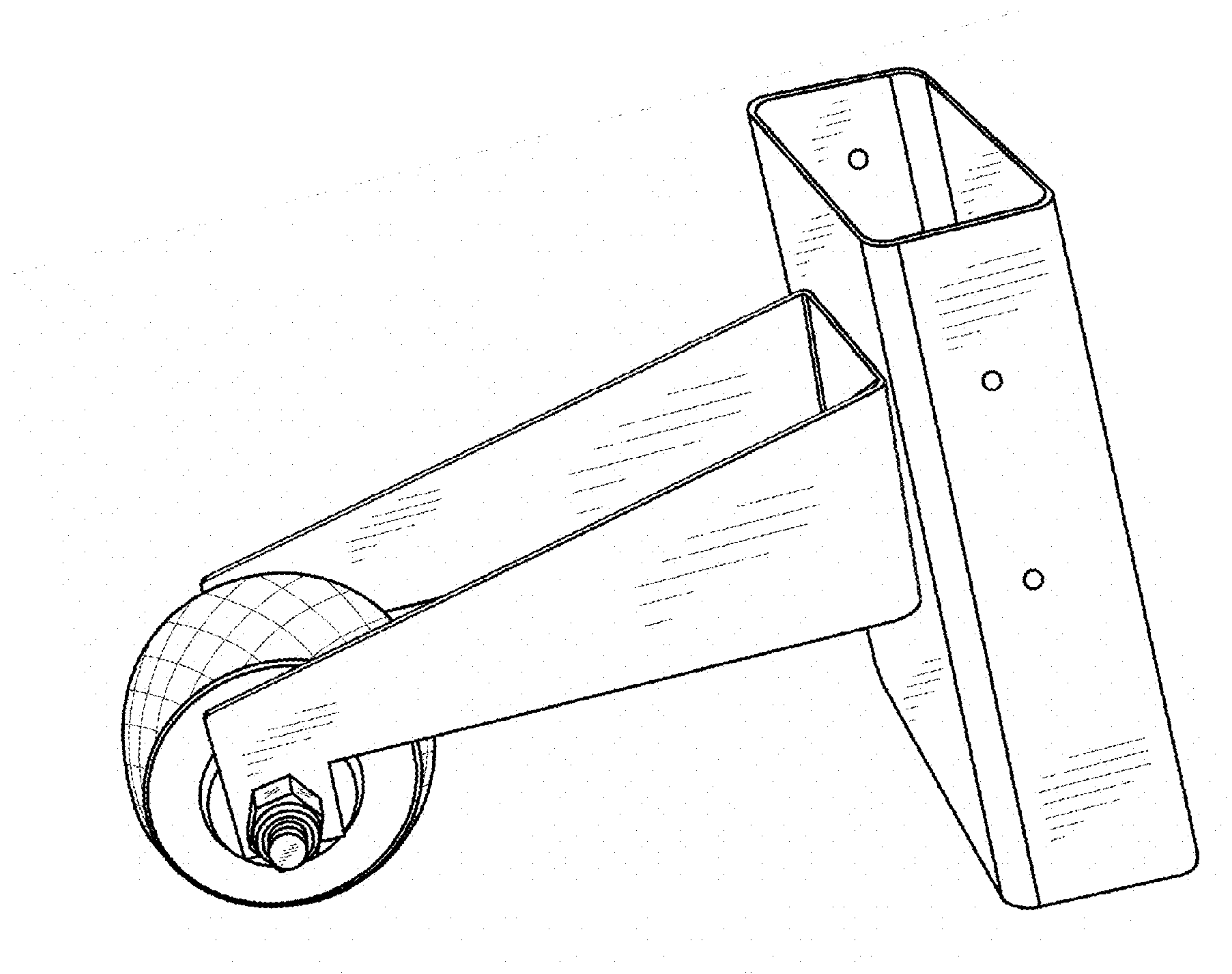


FIG. 10