



US00D739215S

(12) **United States Design Patent**
McLain

(10) **Patent No.:** **US D739,215 S**
(45) **Date of Patent:** **** Sep. 22, 2015**

(54) **BRACKET WITH SPHERICAL ACCESSORY**

(71) Applicant: **Michael Merrick McLain**, Kirkland, WA (US)

(72) Inventor: **Michael Merrick McLain**, Kirkland, WA (US)

(**) Term: **14 Years**

(21) Appl. No.: **29/479,215**

(22) Filed: **Jan. 13, 2014**

(51) **LOC (10) Cl.** **08-05**

(52) **U.S. Cl.**
USPC **D8/373**

(58) **Field of Classification Search**

USPC D8/383, 374, 300, 303, 313, 314, 394,
D8/396, 380, 373, 395, 363, 381, 44, 19,
D8/352, 370, 308, 372, 376, 384;
D13/133; D19/1; D22/108; D26/87;
D9/686, 687; D23/238; D6/300, 556,
D6/682, 325; D7/619.1
CPC A47F 5/14; A47F 7/147; D06F 59/08;
B25H 3/04; B25H 1/00; B42F 15/06; A45C
13/30; B67B 7/28
See application file for complete search history.

(56) **References Cited**

U.S. PATENT DOCUMENTS

D423,339	S	*	4/2000	Snell	D8/372
D437,208	S	*	2/2001	Snell	D8/372
D499,329	S	*	12/2004	Suero, Jr.	D8/372
D550,545	S	*	9/2007	Ernst et al.	D8/373
D559,091	S	*	1/2008	Skorka	D8/373
D591,143	S	*	4/2009	Ernst et al.	D8/372
D600,538	S	*	9/2009	Thompson et al.	D8/372
D656,004	S	*	3/2012	Estabrook et al.	D8/380
D669,768	S	*	10/2012	Tawil	D8/372
D679,578	S	*	4/2013	Gilboe et al.	D8/372
D680,421	S	*	4/2013	Martin et al.	D8/372
D708,508	S	*	7/2014	Goodman et al.	D8/372

* cited by examiner

Primary Examiner — Robert M Spear

Assistant Examiner — Eliza Bennett-Hattan

(57) **CLAIM**

The ornamental design for an bracket with spherical accessory, substantially as shown and described.

DESCRIPTION

FIG. 1 shows a front perspective view of the bracket with spherical accessory embodying our new design, wherein the broken lines illustrate unclaimed exemplary positions of use for spherical accessories.

FIG. 2 shows a front view of the bracket with spherical accessory with centrally attached spherical accessory;

FIG. 3 shows a rear view of the bracket with spherical accessory;

FIG. 4 shows a first side view of the bracket with spherical accessory;

FIG. 5 shows a second side view of the bracket with spherical accessory;

FIG. 6 shows a top plan view of the bracket with spherical accessory;

FIG. 7 shows a bottom plan view of the bracket with spherical accessory;

FIG. 8 shows a front perspective view of the spherical accessory taken off rest of the bracket for clarity of disclosure;

FIG. 9 shows a side view of the spherical accessory with the rest of the bracket removed for clarity of disclosure;

FIG. 10 shows a top view of the spherical accessory with the rest of the bracket removed for clarity of disclosure;

FIG. 11 shows a bottom view of the spherical accessory with the rest of the bracket removed for clarity of disclosure;

FIG. 12 shows a front perspective view of the bracket with the spherical accessory removed for clarity of disclosure;

FIG. 13 shows a top plan view of the bracket with the spherical accessory removed for clarity of disclosure;

FIG. 14 shows a bottom plan view of the bracket with the spherical accessory removed for clarity of disclosure;

FIG. 15 shows a first side view of the bracket with spherical accessory as shown in FIG. 12;

FIG. 16 shows a second side view of the bracket with spherical accessory as shown in FIG. 12;

FIG. 17 shows a tip view of the bracket with spherical accessory as shown in FIG. 12; and,

FIG. 18 shows a bottom view of the bracket with spherical accessory as shown in FIG. 12.

1 Claim, 5 Drawing Sheets

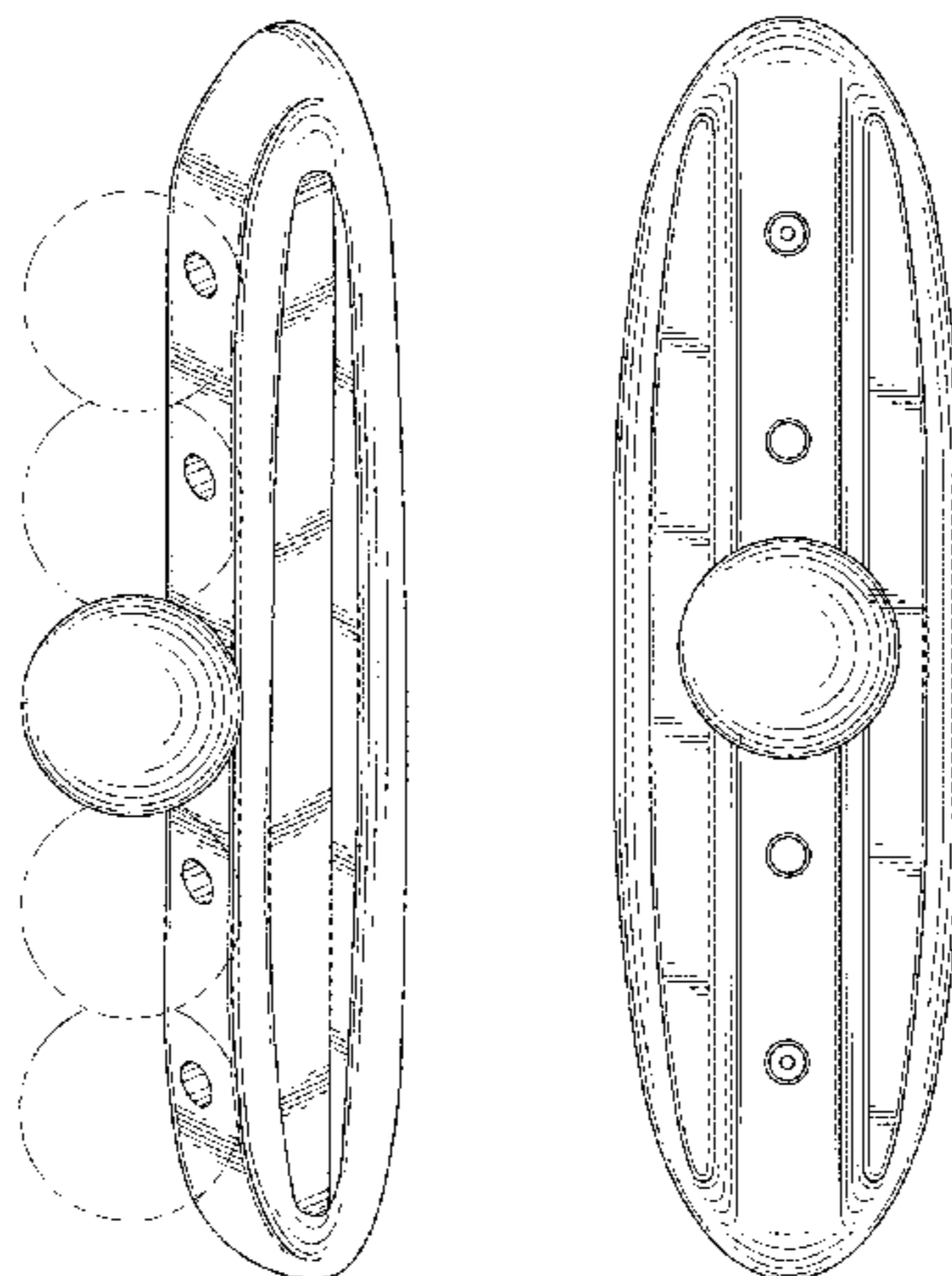


FIG. 1

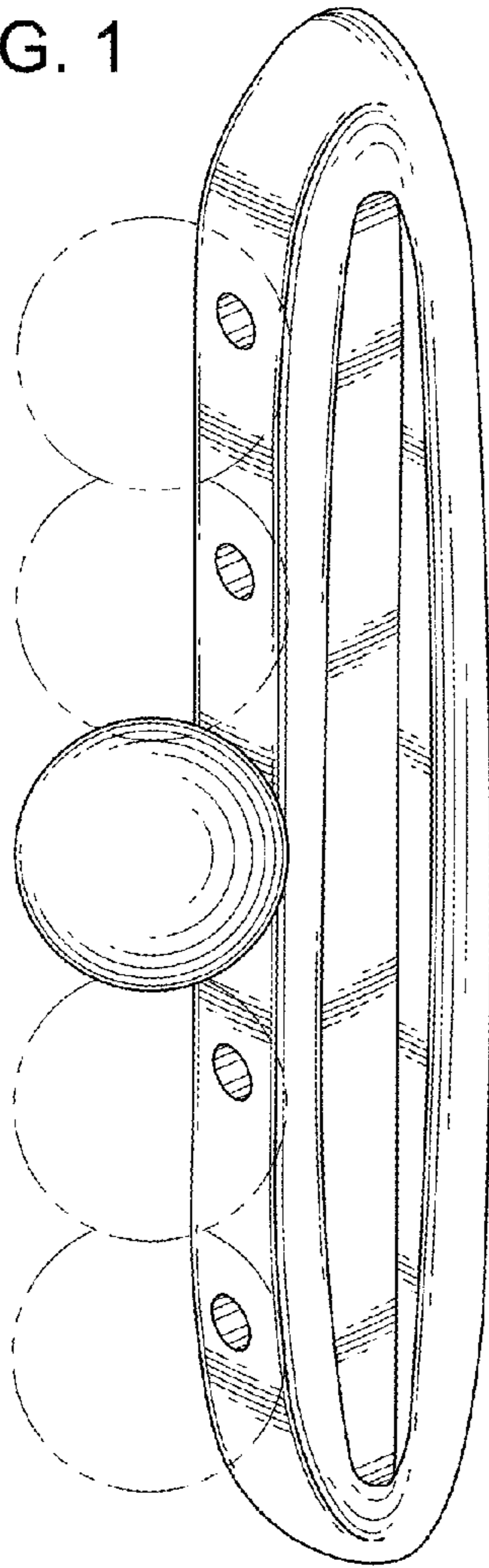
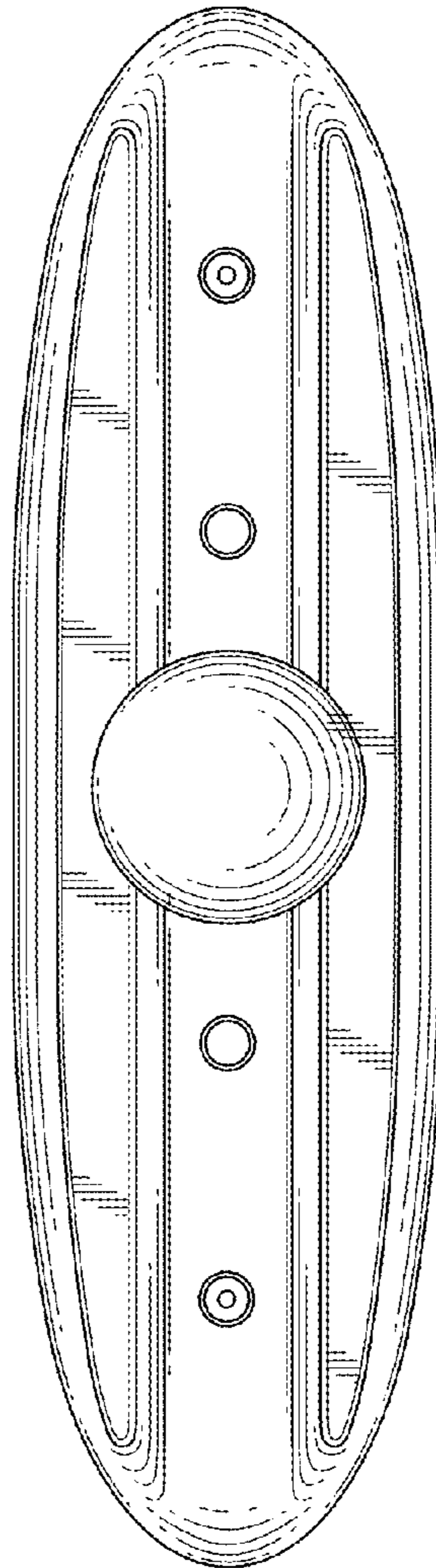
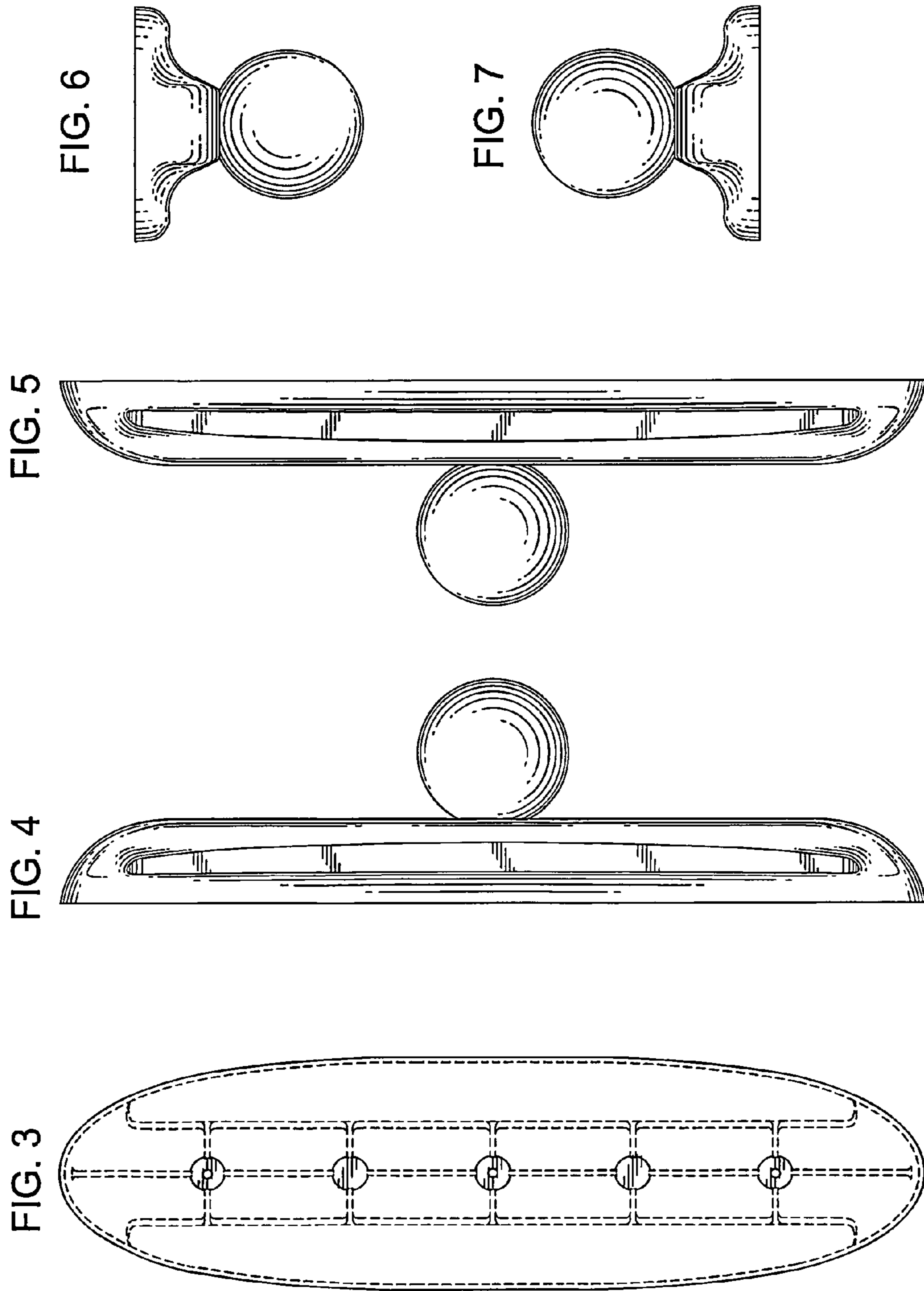


FIG. 2





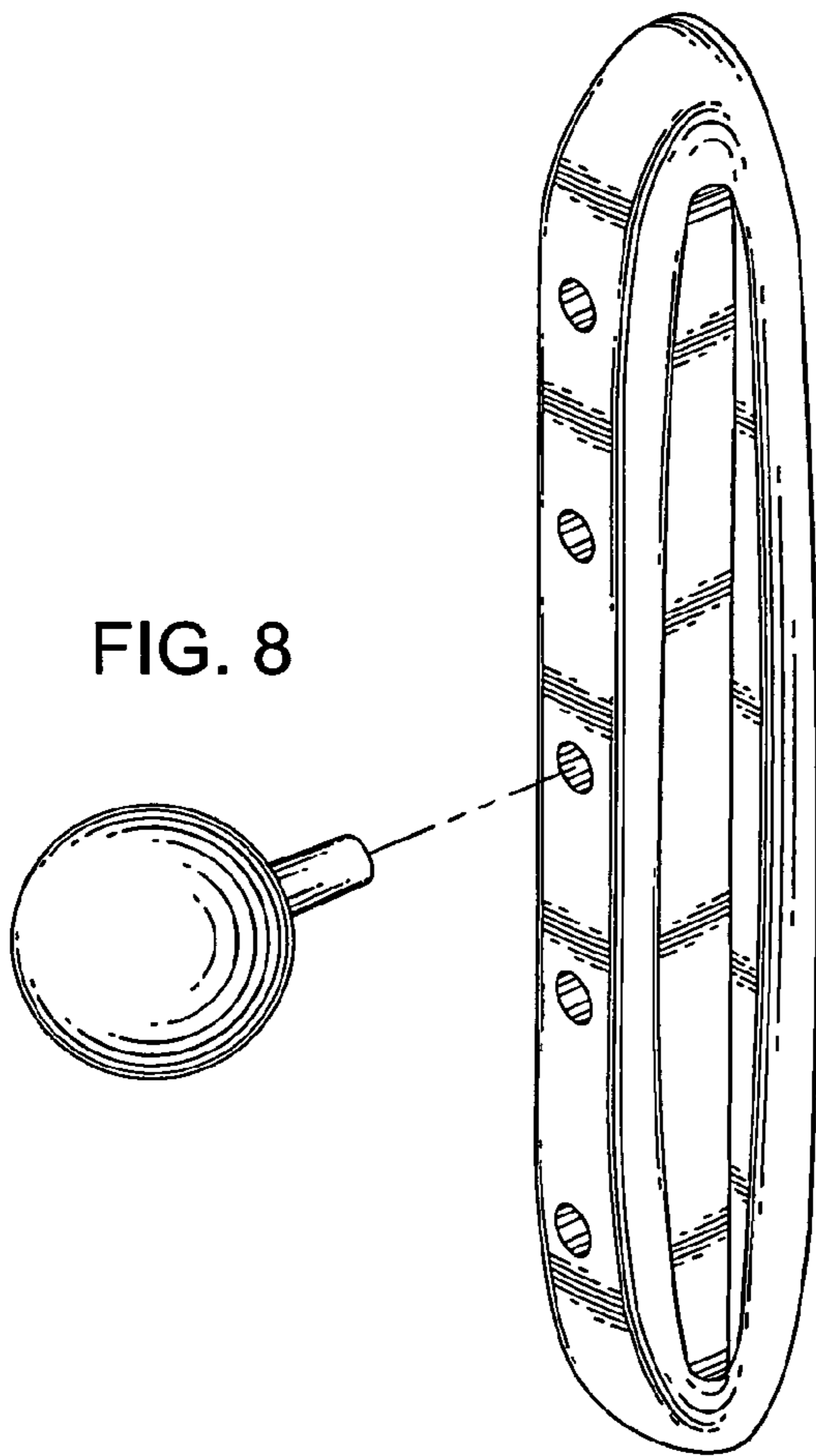


FIG. 9

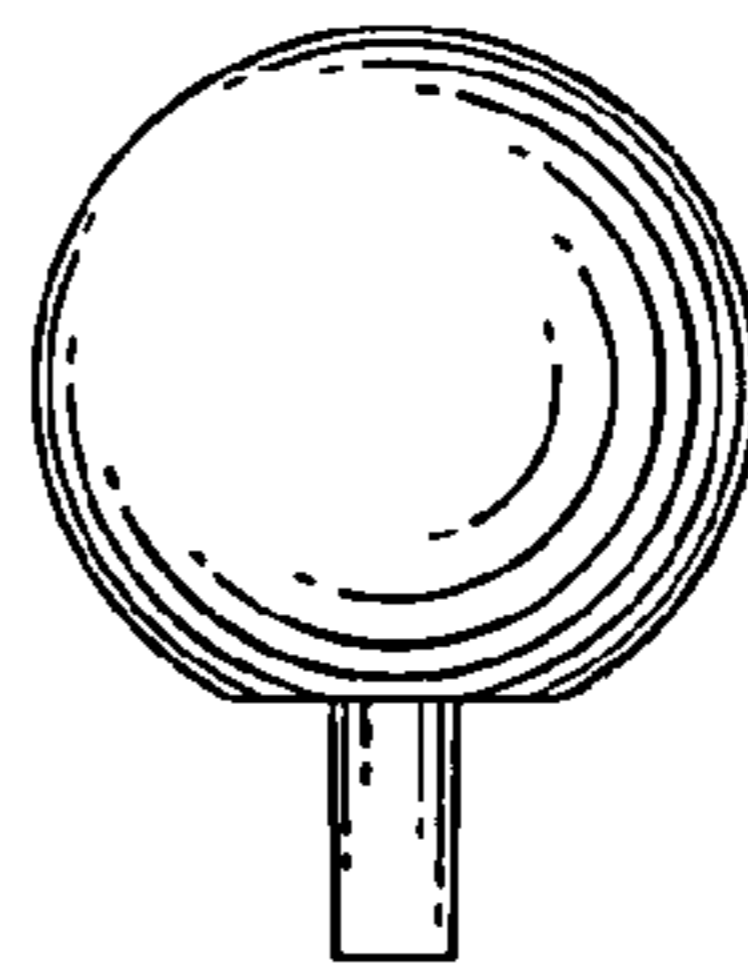


FIG. 10

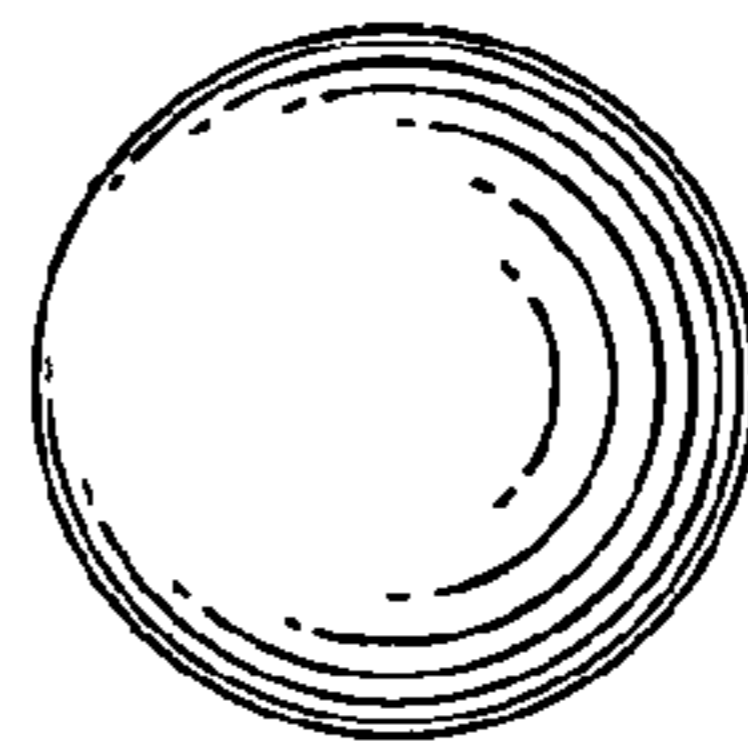


FIG. 11

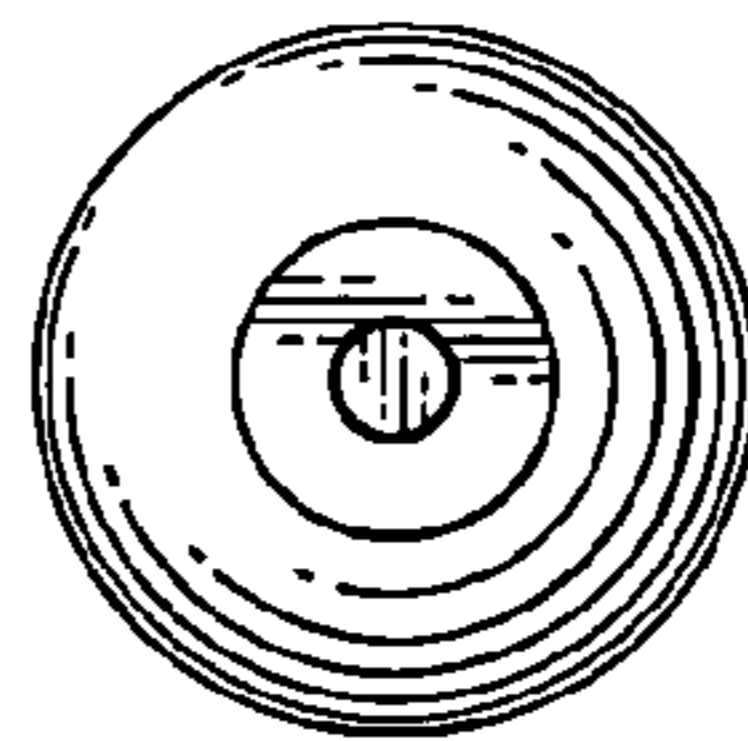


FIG. 12

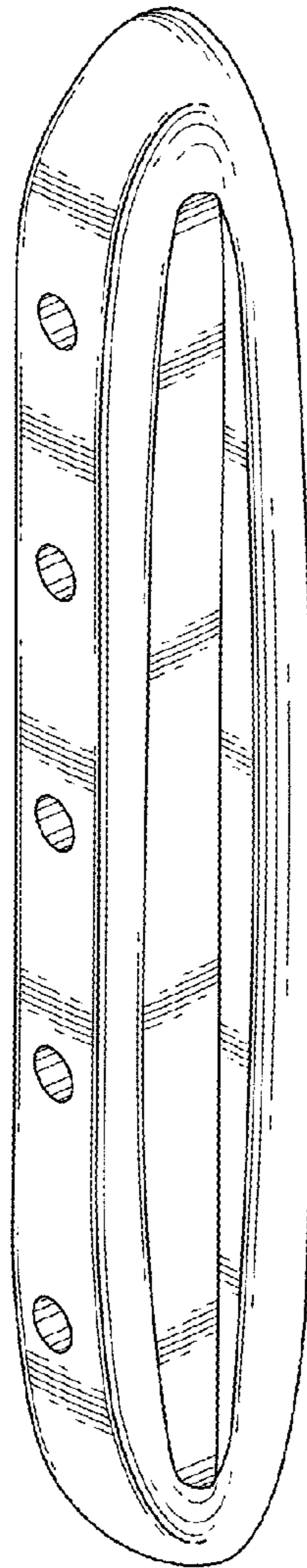


FIG. 13

