



US00D739213S

(12) **United States Design Patent**  
**Hardy**

(10) **Patent No.:** **US D739,213 S**

(45) **Date of Patent:** **\*\* Sep. 22, 2015**

(54) **RETRACTABLE ELECTRICAL CORD REEL**

(71) Applicant: **Helen Hardy**, Hollidaysburg, PA (US)

(72) Inventor: **Helen Hardy**, Hollidaysburg, PA (US)

(\*\*) Term: **14 Years**

(21) Appl. No.: **29/483,082**

(22) Filed: **Feb. 25, 2014**

(51) **LOC (10) Cl.** ..... **08-05**

(52) **U.S. Cl.**  
USPC ..... **D8/358**

(58) **Field of Classification Search**

USPC ..... D8/358, 360, 356, 359, 383, 380, 381;  
D6/515; D12/96, 106, 400, 223, 217;  
D10/72; D19/67; D13/137.4; D34/14,  
D34/19, 24, 25

CPC ..... B65H 75/40; B65H 2701/33; B65H  
75/4471; B65H 54/585; B65H 2701/34;  
B65H 51/22; B65H 75/08; B65H 75/02;  
B65H 2301/41485; B65H 2701/32; B65H  
75/4468; B65H 2301/41423; B65H  
2301/414325

See application file for complete search history.

(56) **References Cited**

**U.S. PATENT DOCUMENTS**

D76,128	S *	8/1928	Edward	.....	D8/358
2,438,082	A	3/1948	Wester et al.		
3,826,879	A	7/1974	Penn et al.		
D239,085	S *	3/1976	Ahlbin	.....	D8/356
4,485,278	A	11/1984	Schaller et al.		
5,590,749	A	1/1997	Wagner et al.		
D384,878	S *	10/1997	Kovacik et al.	.....	D8/359
D387,972	S *	12/1997	Hernandez	.....	D8/359
D389,727	S *	1/1998	Austin et al.	.....	D8/358
D419,527	S *	1/2000	Hwang	.....	D13/154
D436,521	S *	1/2001	Stump	.....	D8/359
D458,534	S *	6/2002	Morris et al.	.....	D8/358
D458,830	S *	6/2002	Morris et al.	.....	D8/358
6,446,898	B1	9/2002	Hwang		

6,495,756	B1	12/2002	Burke		
6,736,346	B1	5/2004	Park		
D505,859	S *	6/2005	Suzuki	.....	D8/358
D506,124	S *	6/2005	Strickland et al.	.....	D8/358
7,108,216	B2	9/2006	Burke et al.		

(Continued)

**FOREIGN PATENT DOCUMENTS**

EP 1549902 7/2005

**OTHER PUBLICATIONS**

Alert Stamping 3525AC Retractable Power Cord Reel. <http://www.amazon.com/Alert-Stamping-3525AC-Retractable-Power/dp/B001MXB32S>. Accessed Sep. 23, 2013.

(Continued)

*Primary Examiner* — Robert M Spear

*Assistant Examiner* — Eliza Bennett-Hattan

(74) *Attorney, Agent, or Firm* — Robert C. Montgomery; Montgomery Patent & Design, LP

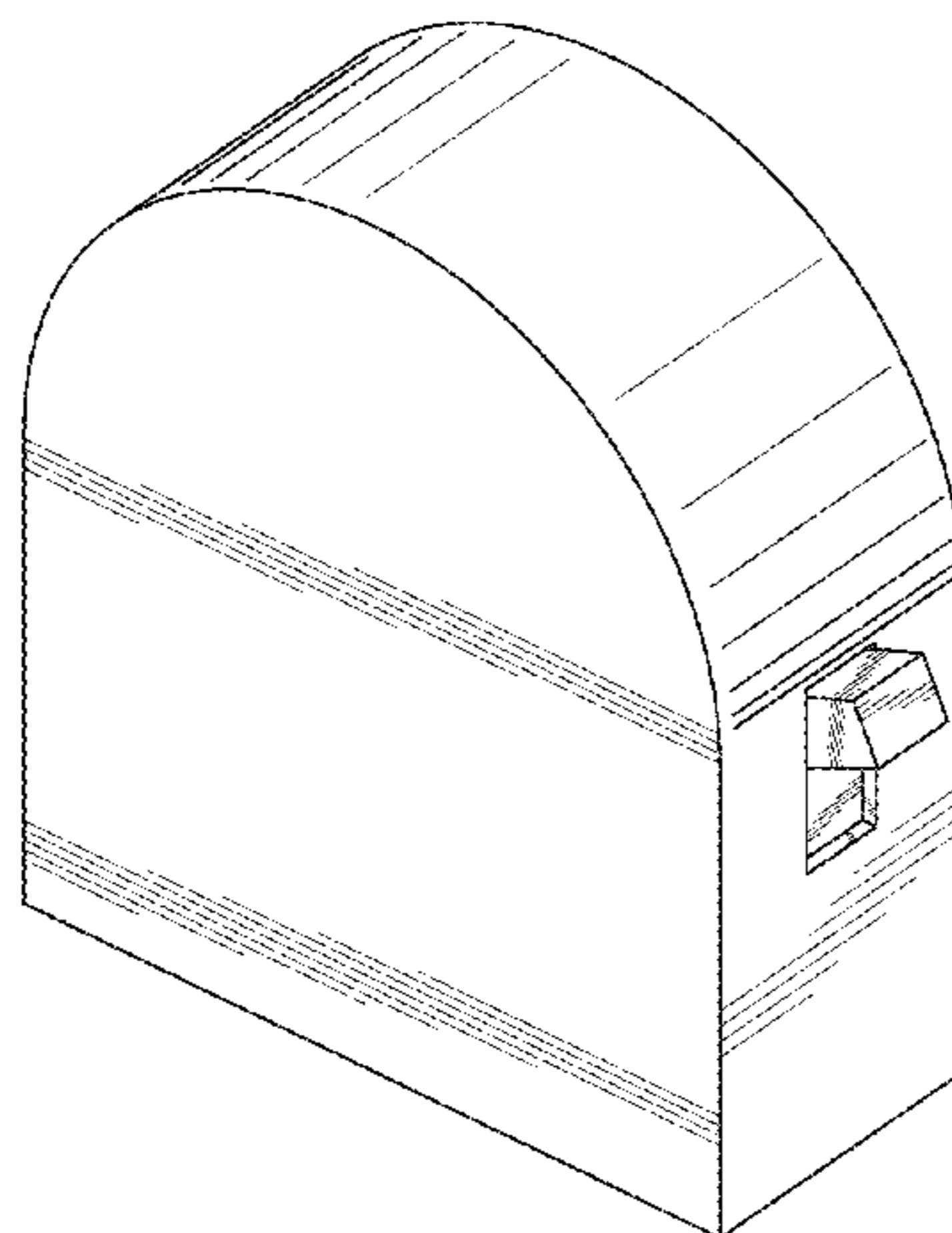
(57) **CLAIM**

The ornamental design for a retractable electrical cord reel, as shown and described.

**DESCRIPTION**

FIG. 1 is a top perspective view of a retractable electrical cord reel with a switch knob portion in an up position; FIG. 2 is a bottom perspective view of FIG. 1; FIG. 3 is a top perspective view of the retractable electrical cord reel with a switch knob portion in down position; FIG. 4 is a bottom perspective view of FIG. 3; FIG. 5 is front view of FIG. 1; FIG. 6 is a rear view of FIG. 1; FIG. 7 is a left-hand side view of FIG. 1, wherein a right-hand side view is a mirror image of the left-hand side view; FIG. 8 is a top view of FIG. 1; and, FIG. 9 is a bottom view of FIG. 1.

**1 Claim, 9 Drawing Sheets**



(56)

**References Cited**

U.S. PATENT DOCUMENTS

D536,601 S \* 2/2007 Grew ..... D8/358  
D561,565 S \* 2/2008 Mitchell ..... D8/358  
D561,567 S \* 2/2008 Glenn ..... D8/359  
D563,773 S \* 3/2008 Pitcher et al. .... D8/358  
D582,758 S \* 12/2008 Anderson et al. .... D8/359  
D589,329 S \* 3/2009 Plunk et al. .... D8/359  
8,387,763 B2 3/2013 Burke et al.  
2012/0312651 A1 12/2012 Kramer et al.

OTHER PUBLICATIONS

Woods 4907 25-Foot Extension Cord Reel with 4-Outlets and  
12-Amp Circuit Breaker. [http://www.amazon.com/Woods-4907-25-Foot-Extension-4-Outlets/dp/B0037W5W38/ref . . .](http://www.amazon.com/Woods-4907-25-Foot-Extension-4-Outlets/dp/B0037W5W38/ref...) Accessed Sep.  
23, 2013.

\* cited by examiner

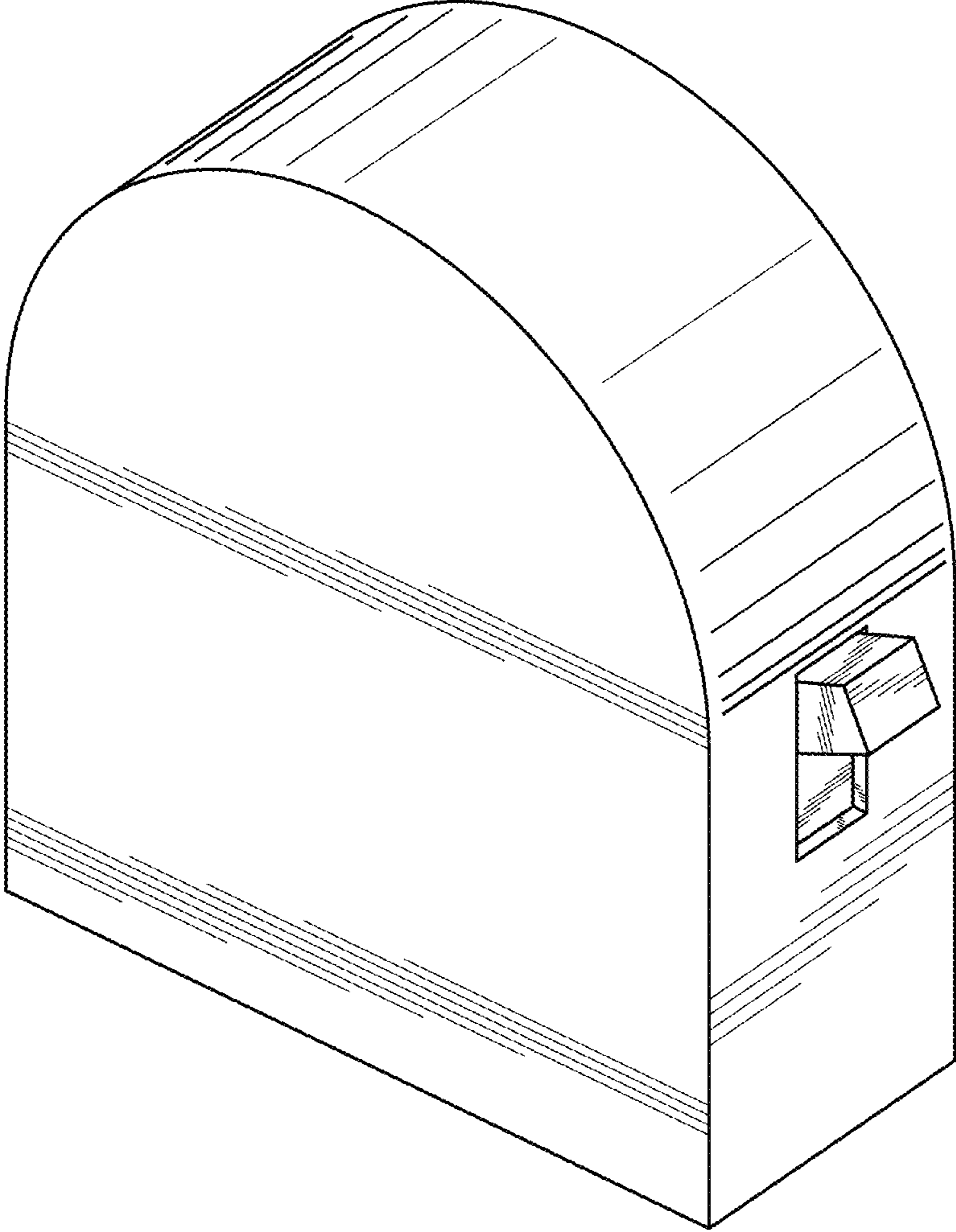


Fig. 1

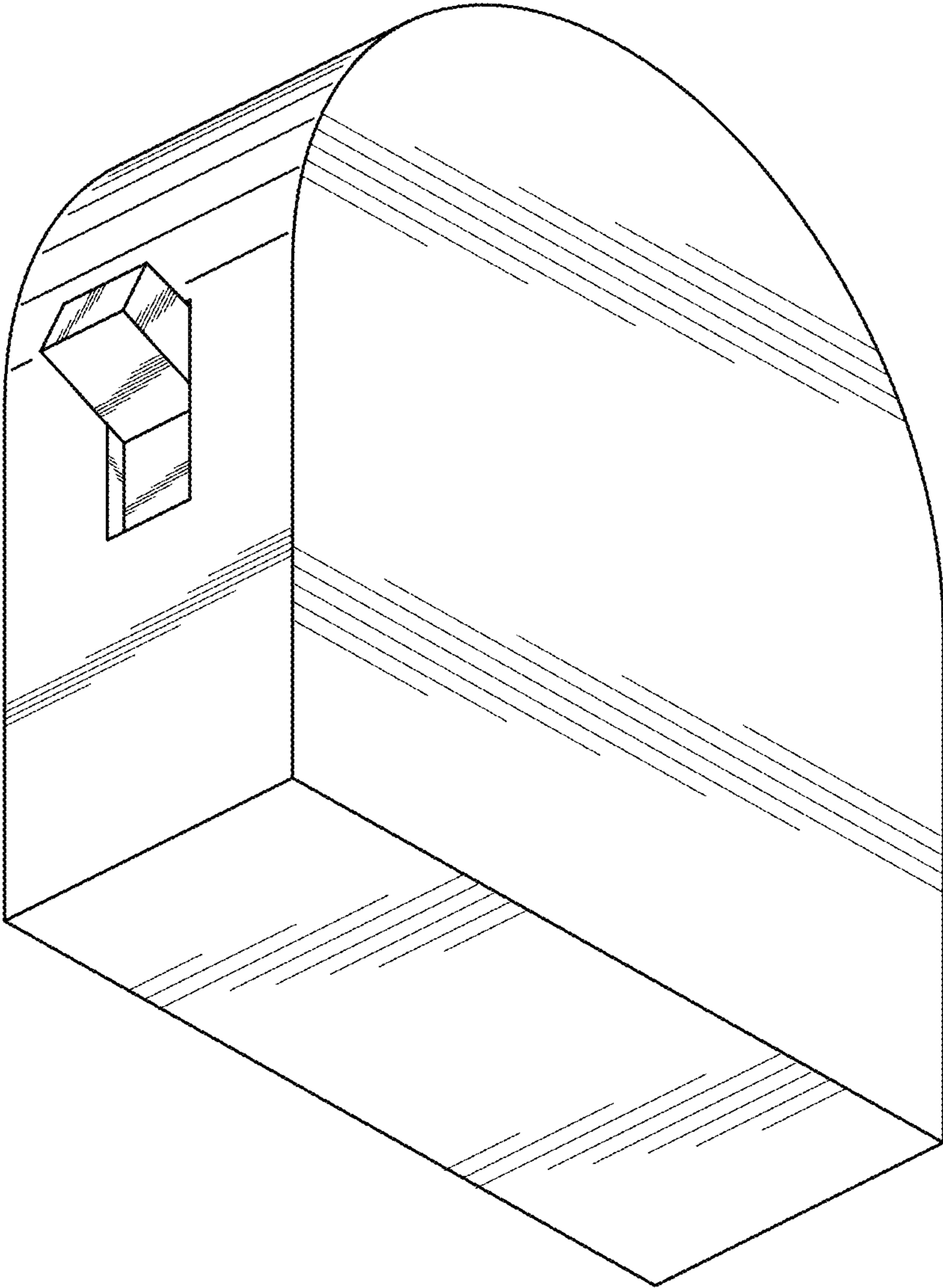


Fig. 2

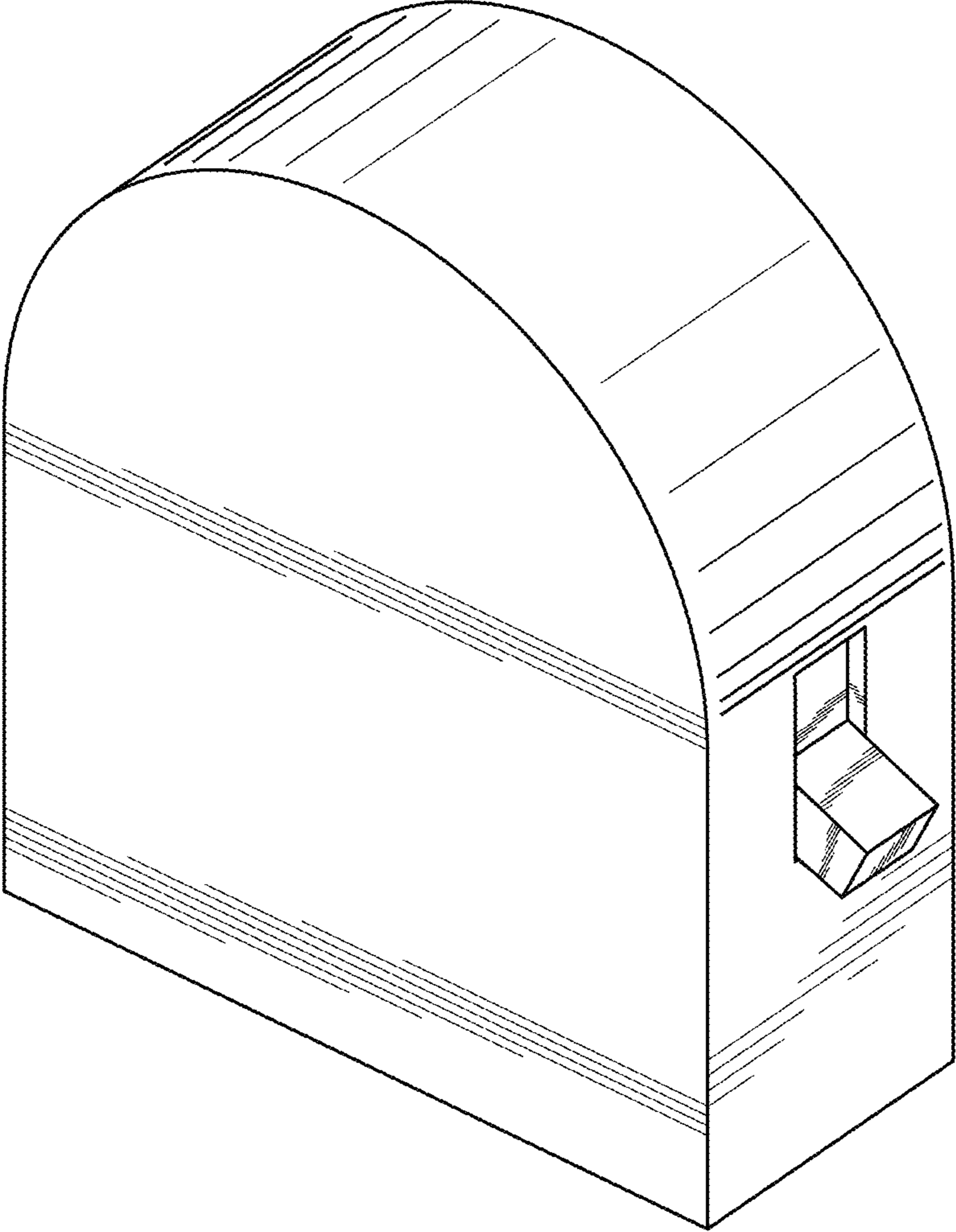


Fig. 3



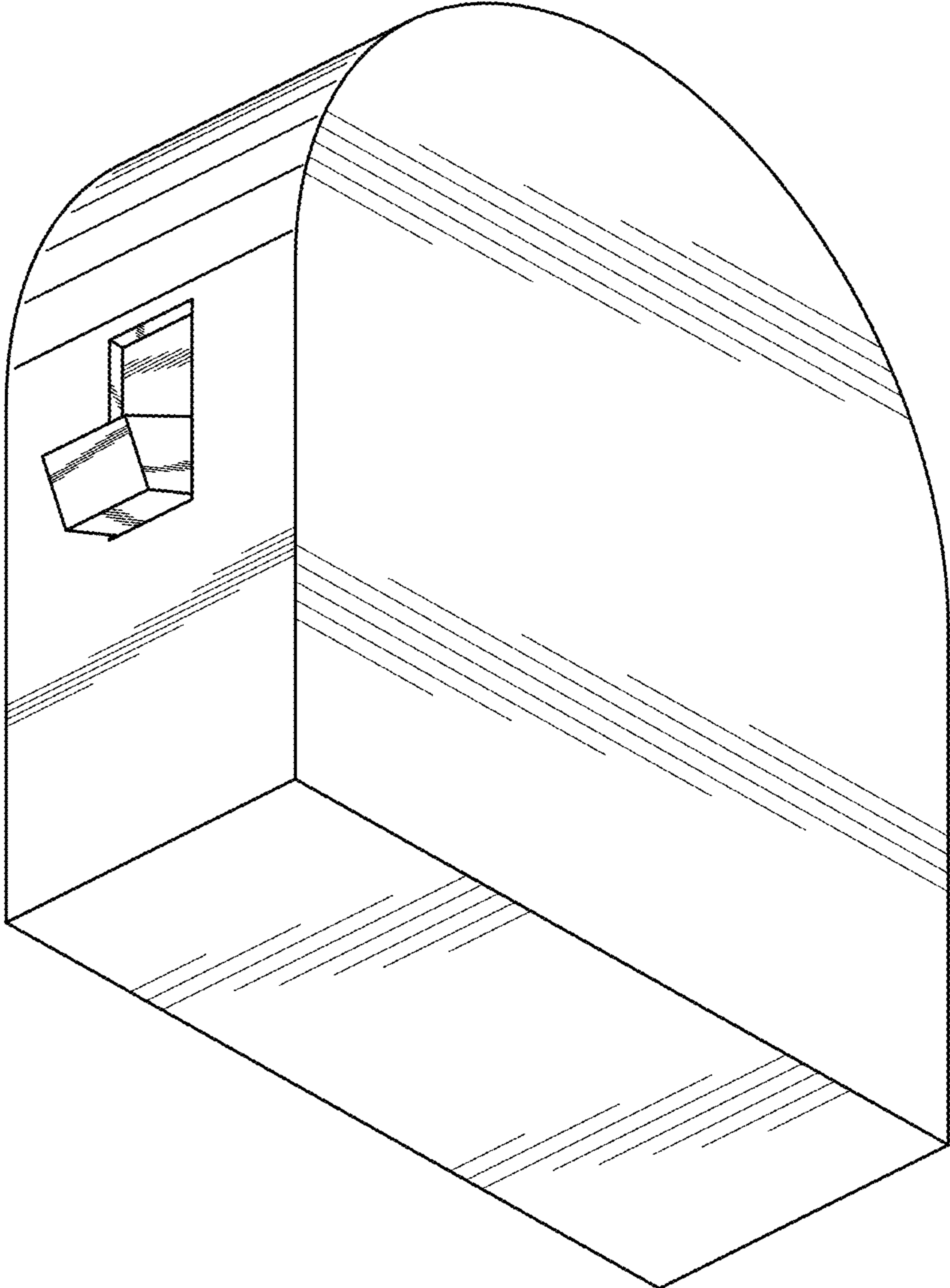


Fig. 4

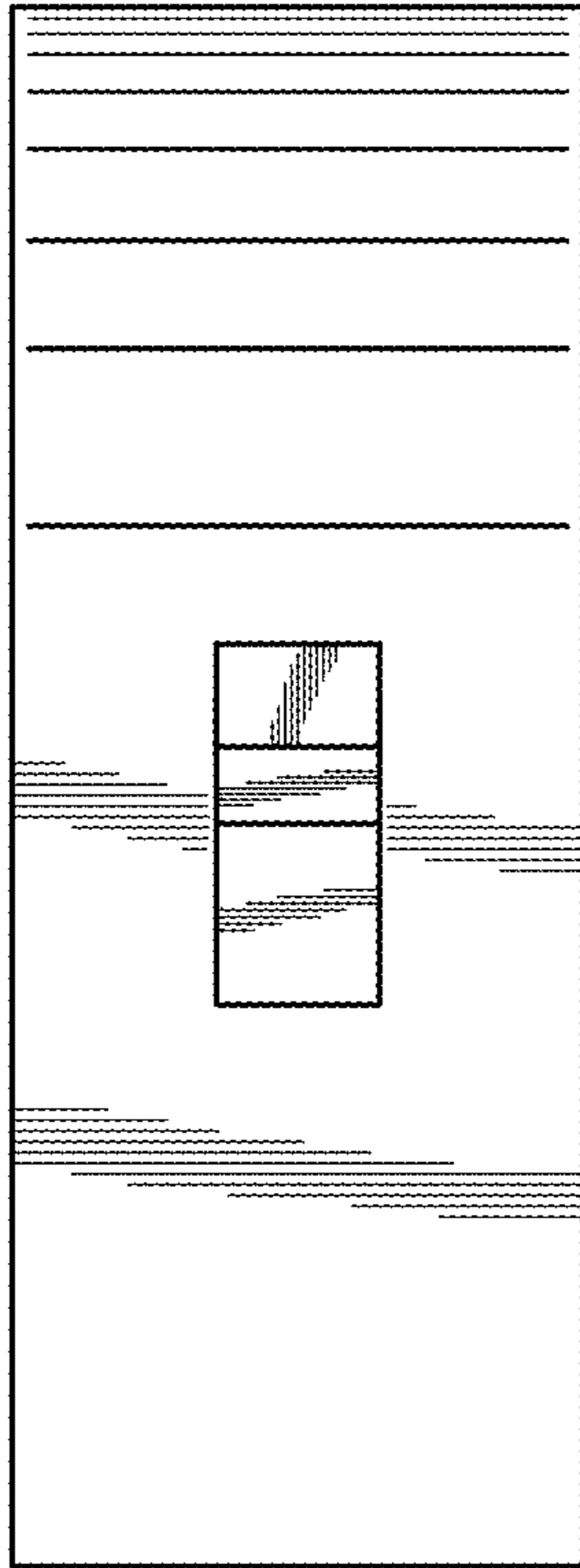


Fig. 5

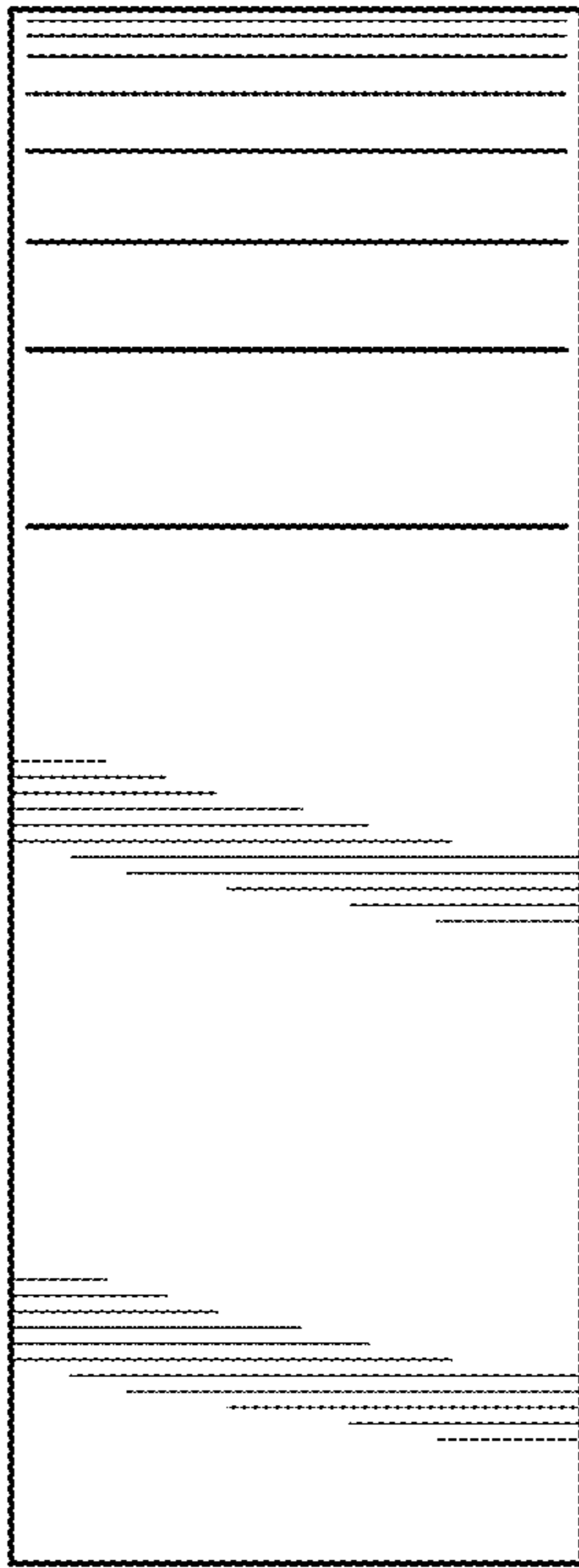


Fig. 6



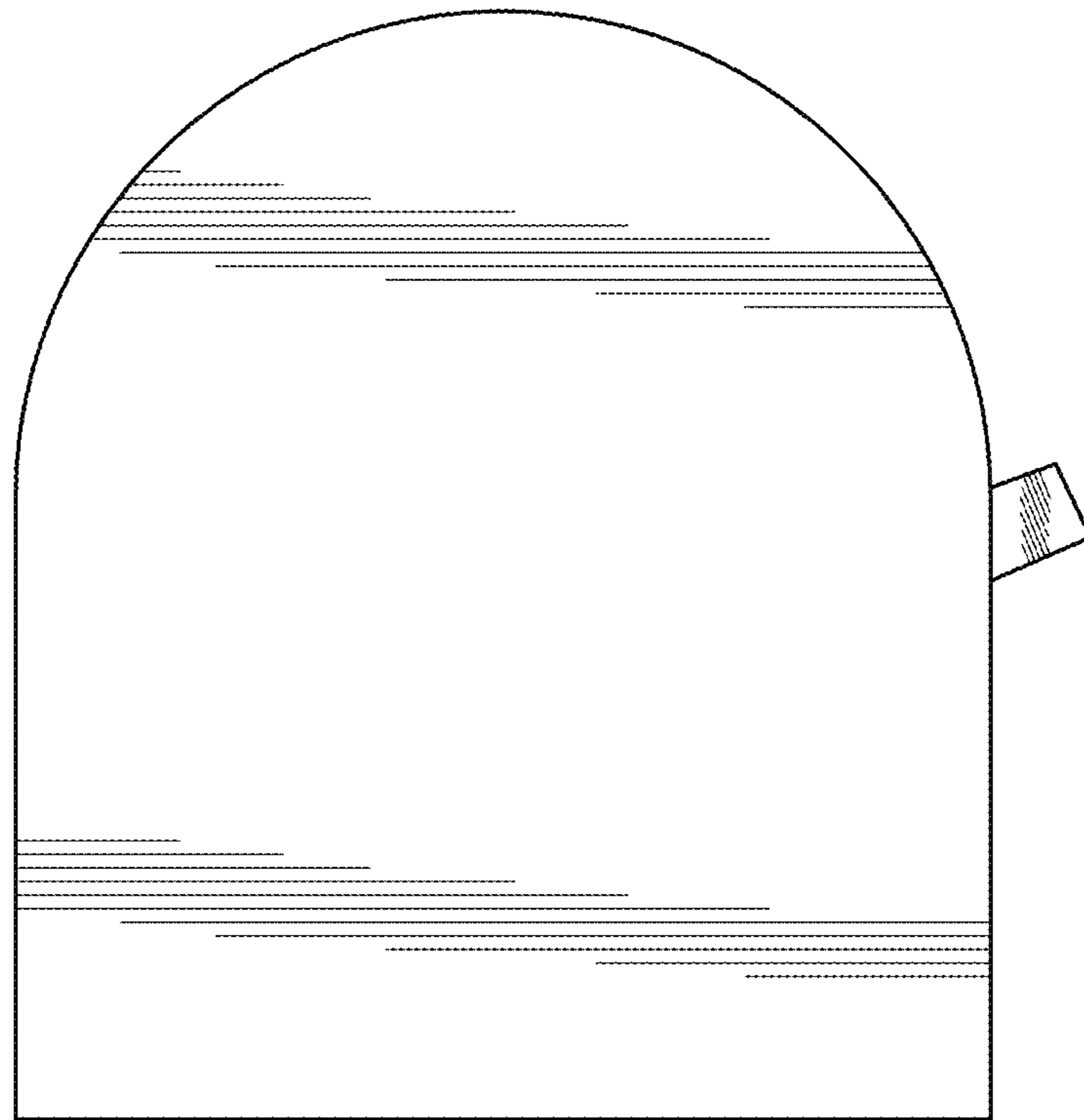


Fig. 7

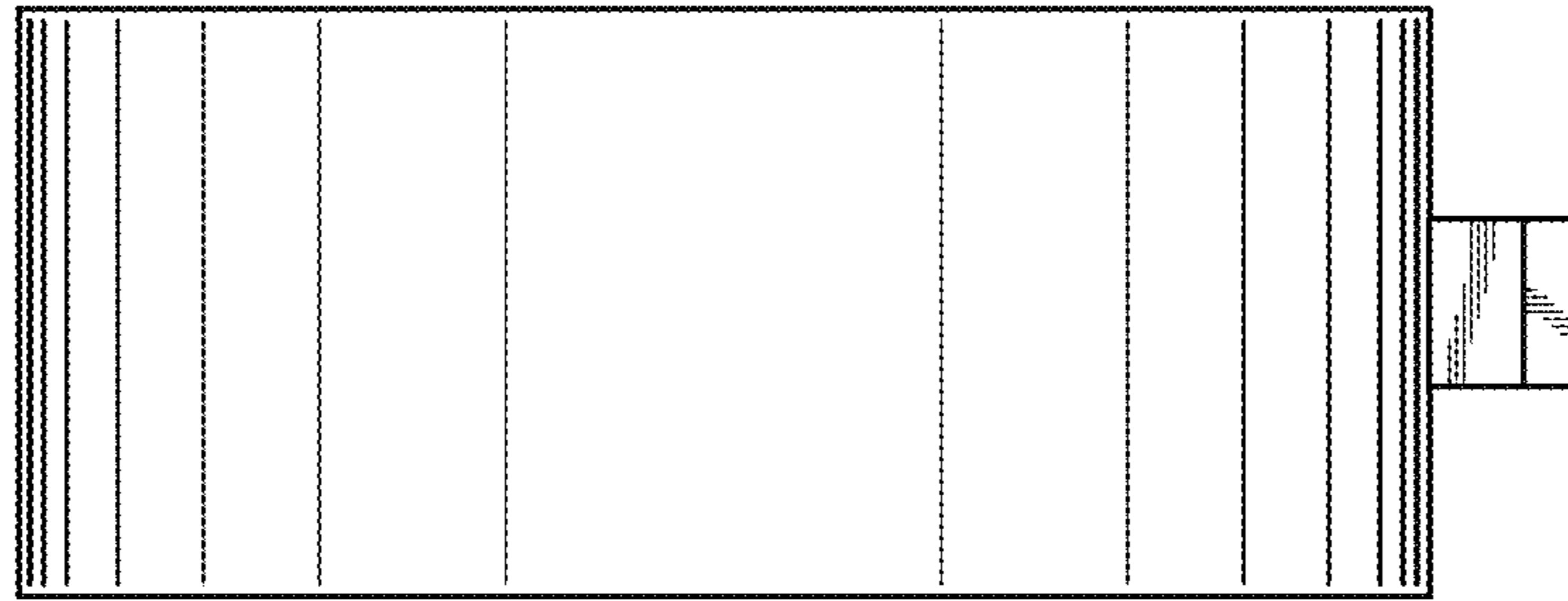


Fig. 8

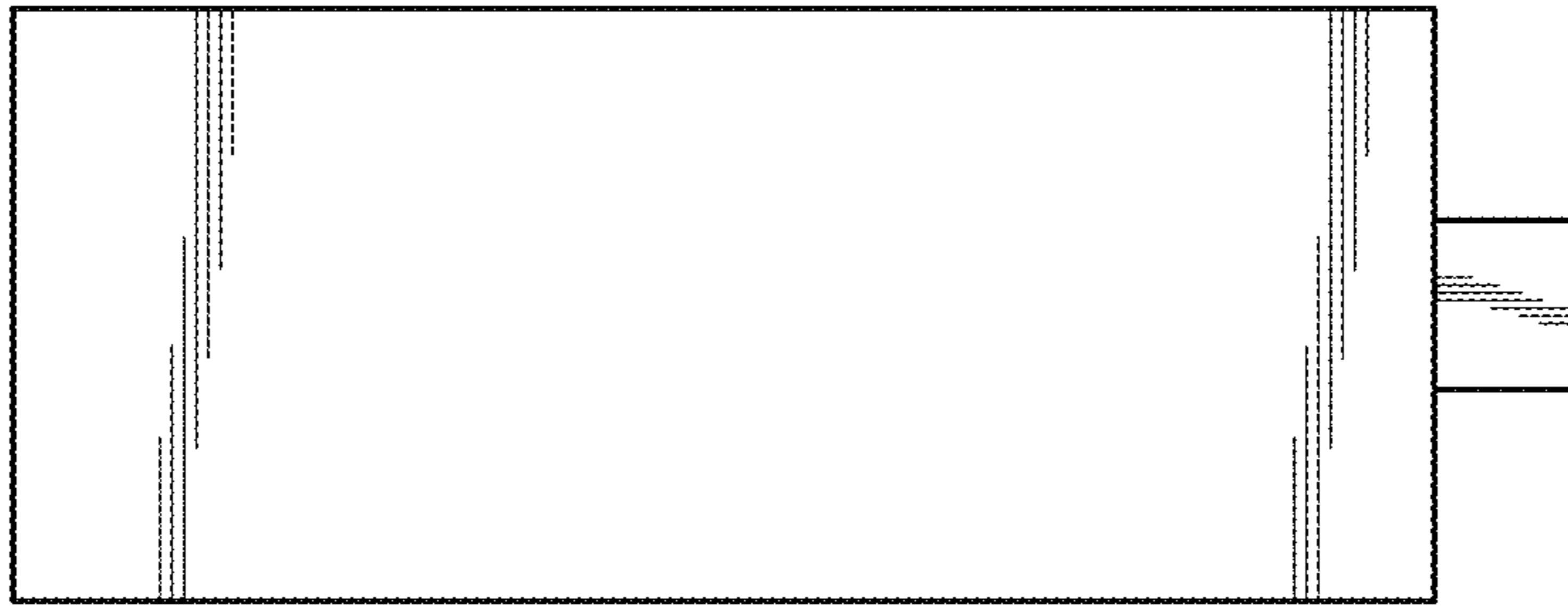


Fig. 9