



US00D739211S

(12) **United States Design Patent**  
**Laing et al.**

(10) **Patent No.:** **US D739,211 S**  
(45) **Date of Patent:** **\*\* Sep. 22, 2015**

- (54) **TENSIONER ARM**
- (71) Applicant: **Litens Automotive Partnership,**  
Woodbridge (CA)
- (72) Inventors: **Robert J. Laing, Moffat (CA); Allen**  
**Steadman, Thornhill (CA)**
- (73) Assignee: **LITENS AUTOMOTIVE**  
**PARTNERSHIP, Woodbridge (CA)**
- (\*\*) Term: **14 Years**
- (21) Appl. No.: **29/486,616**
- (22) Filed: **Apr. 1, 2014**
- (51) **LOC (10) Cl.** ..... **08-05**
- (52) **U.S. Cl.**  
USPC ..... **D8/356**
- (58) **Field of Classification Search**  
USPC ..... D8/367, 354, 349, 373, 323, 356, 397;  
248/301-304, 339, 205.3, 220.21,  
248/220.31; 24/132 R, 367, 354, 356;  
211/87.01, 59.1  
CPC ..... A47G 1/00; A47G 25/00  
See application file for complete search history.

- D359,431 S \* 6/1995 Motley ..... D8/44
- D588,442 S \* 3/2009 Chong et al. .... D8/356
- D654,778 S \* 2/2012 Hines et al. .... D8/356
- D679,988 S \* 4/2013 Yamazaki ..... D8/397
- D692,293 S \* 10/2013 Toscani et al. .... D8/356
- D704,543 S \* 5/2014 Kuhmichel et al. .... D8/397
- D716,640 S \* 11/2014 Martinson ..... D8/356
- D717,157 S \* 11/2014 Widdows et al. .... D8/356
- D722,489 S \* 2/2015 Yamazaki ..... D8/387
- D731,296 S \* 6/2015 Nelson et al. .... D8/356
- 2004/0226857 A1 \* 11/2004 Wright et al. .... 206/713

\* cited by examiner

*Primary Examiner* — Cynthia Underwood  
(74) *Attorney, Agent, or Firm* — Millman IP Inc.

(57) **CLAIM**

The ornamental design for a tensioner arm, as shown and described.

**DESCRIPTION**

FIG. 1 is a perspective view from above and to one side of the new design for a tensioner arm;  
FIG. 2 is a top view thereof;  
FIG. 3 is a left side elevation view thereof;  
FIG. 4 is a right side elevation view thereof; and  
FIG. 5 is a front elevation view thereof; and,  
FIG. 6 is an enlarged view of FIG. 1 shown removed from unclaimed environment.

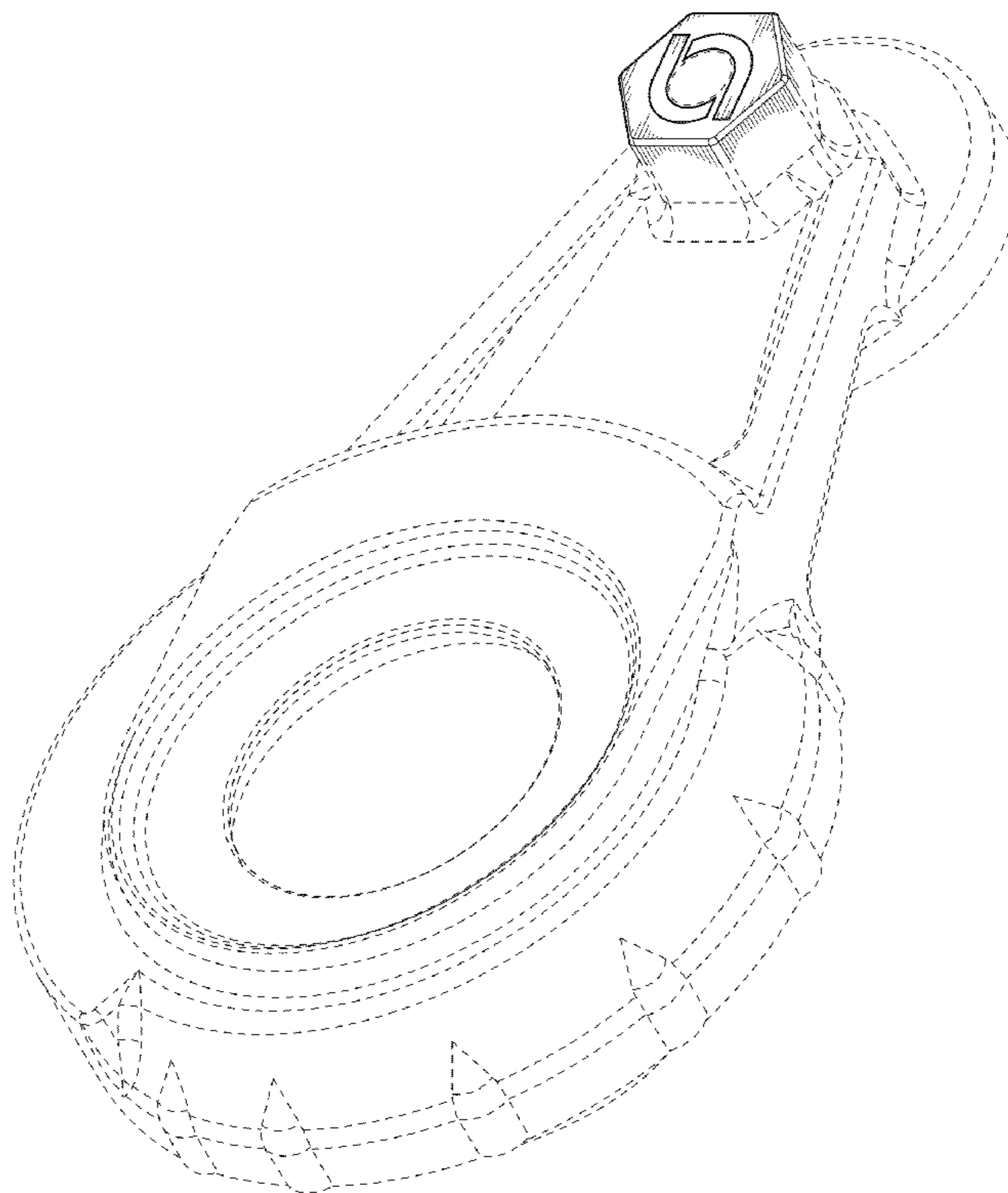
The portions of the tensioner arm that are shown in broken lines are for illustrative purposes only and form no part of the claimed design.

(56) **References Cited**

U.S. PATENT DOCUMENTS

- D269,410 S \* 6/1983 Johansson ..... D8/367
- D269,411 S \* 6/1983 Johansson ..... D8/367

**1 Claim, 4 Drawing Sheets**



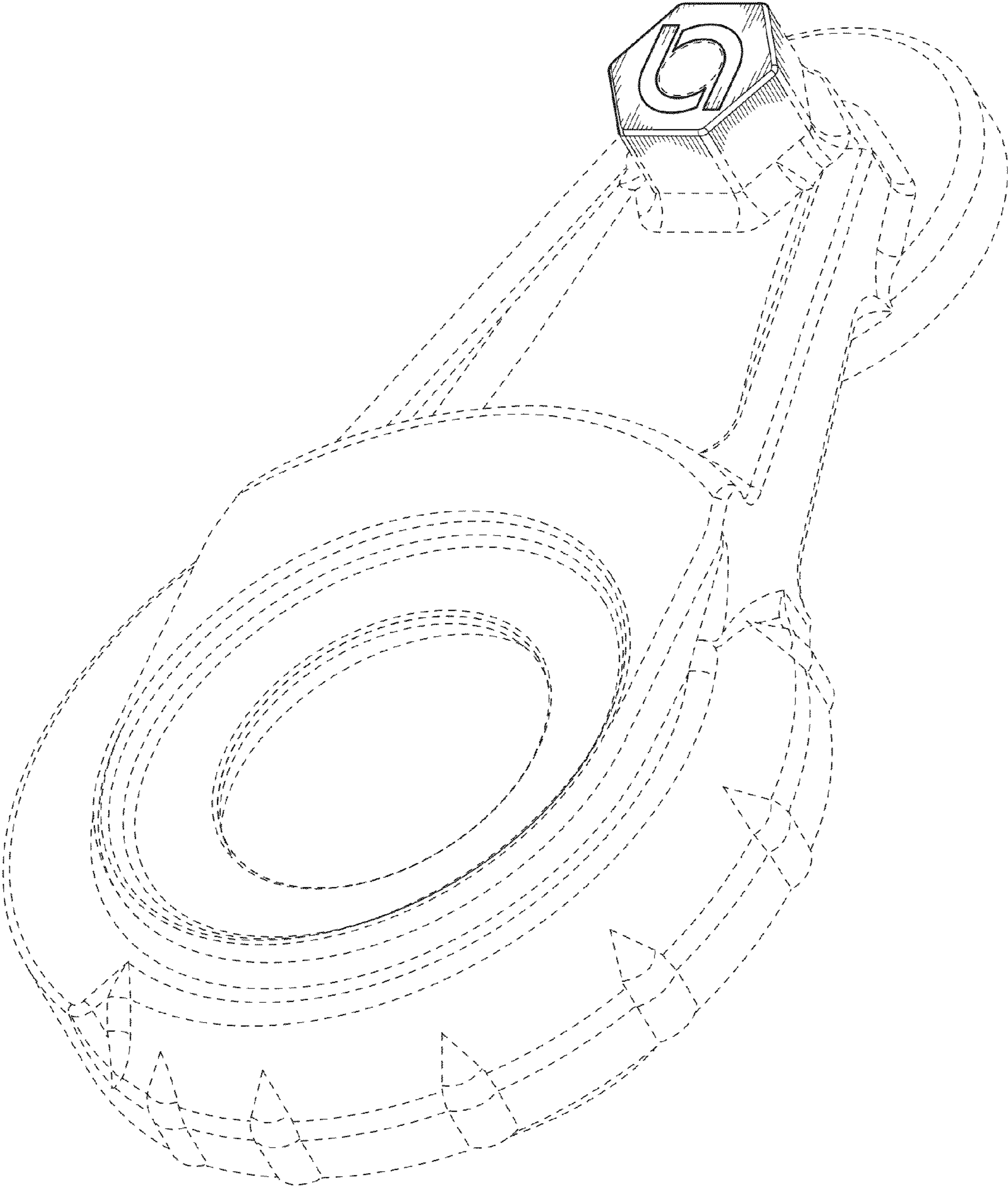
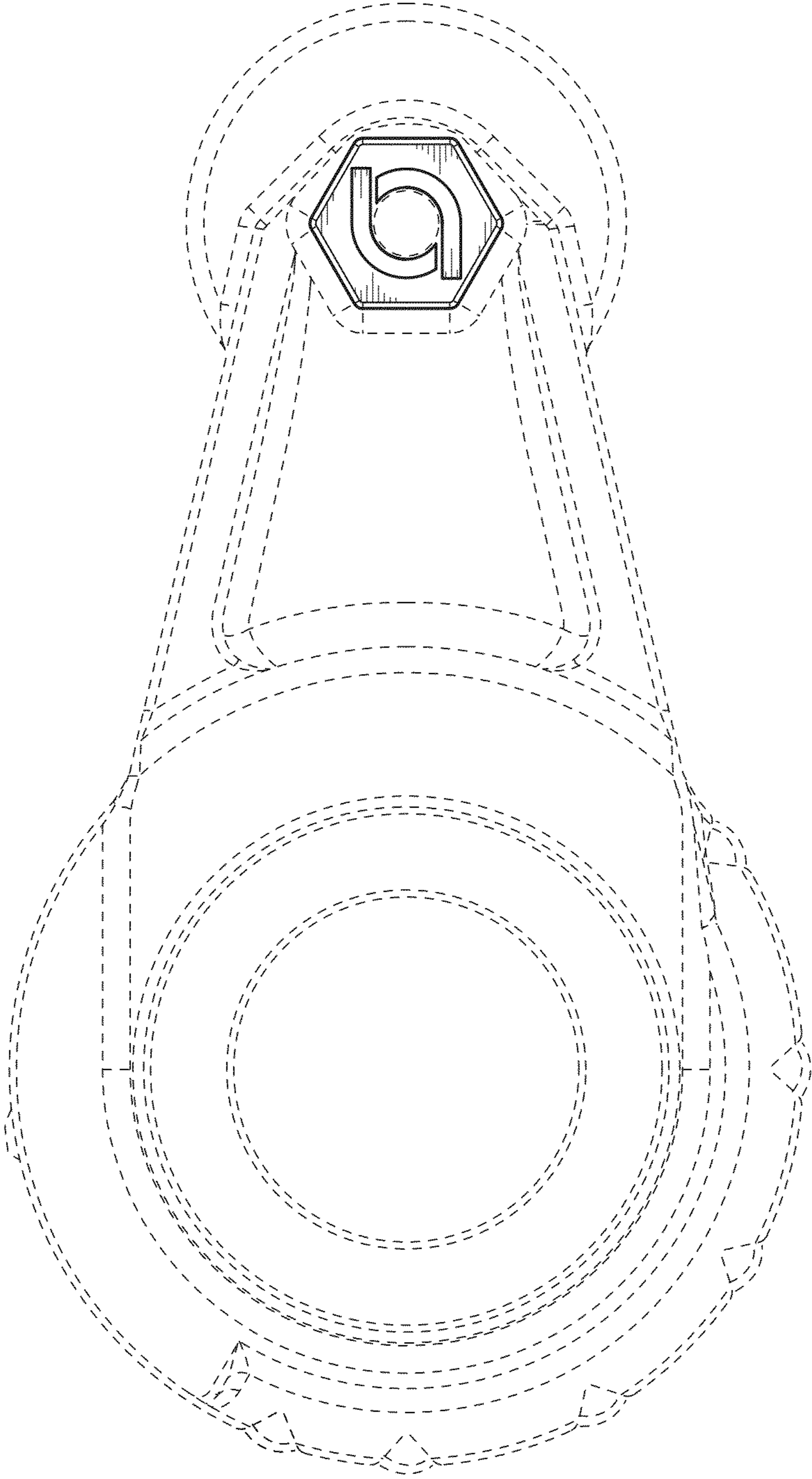


FIG. 1



**FIG. 2**

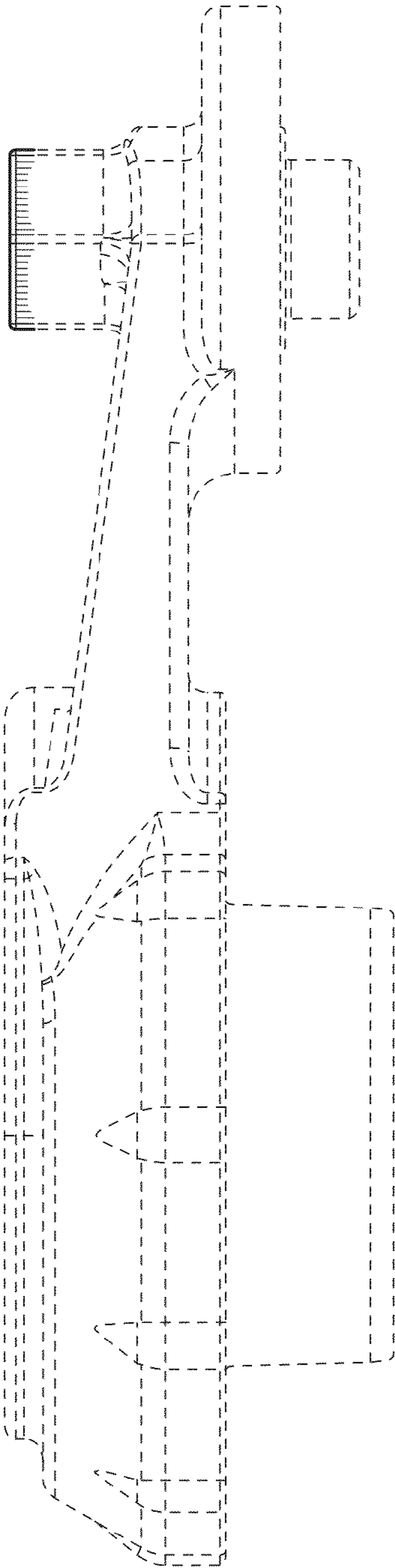


FIG. 3

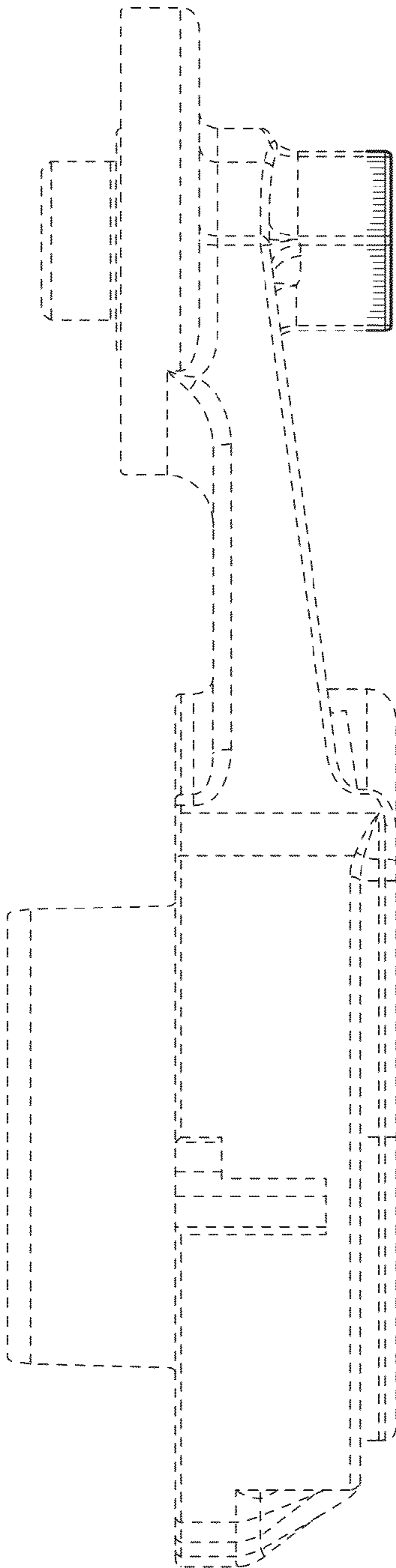
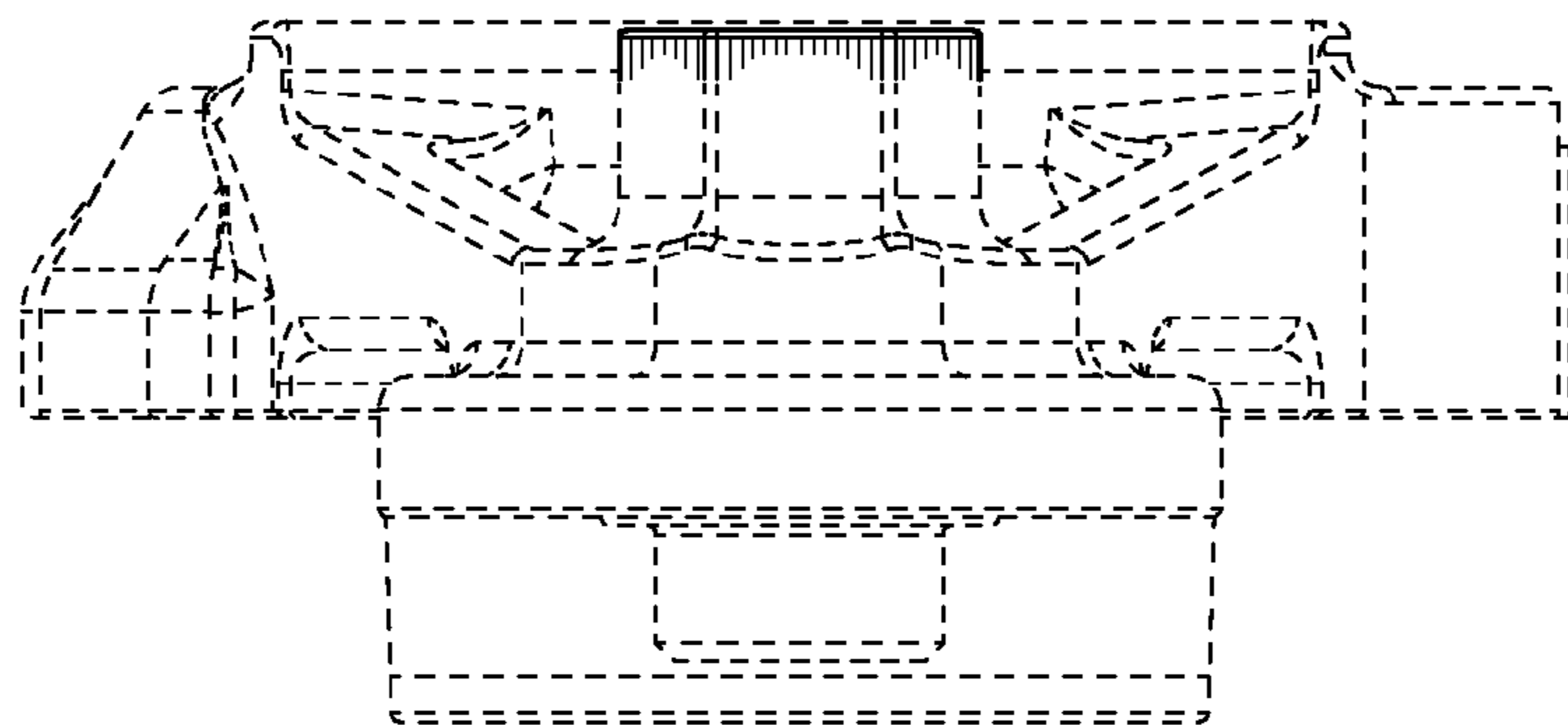
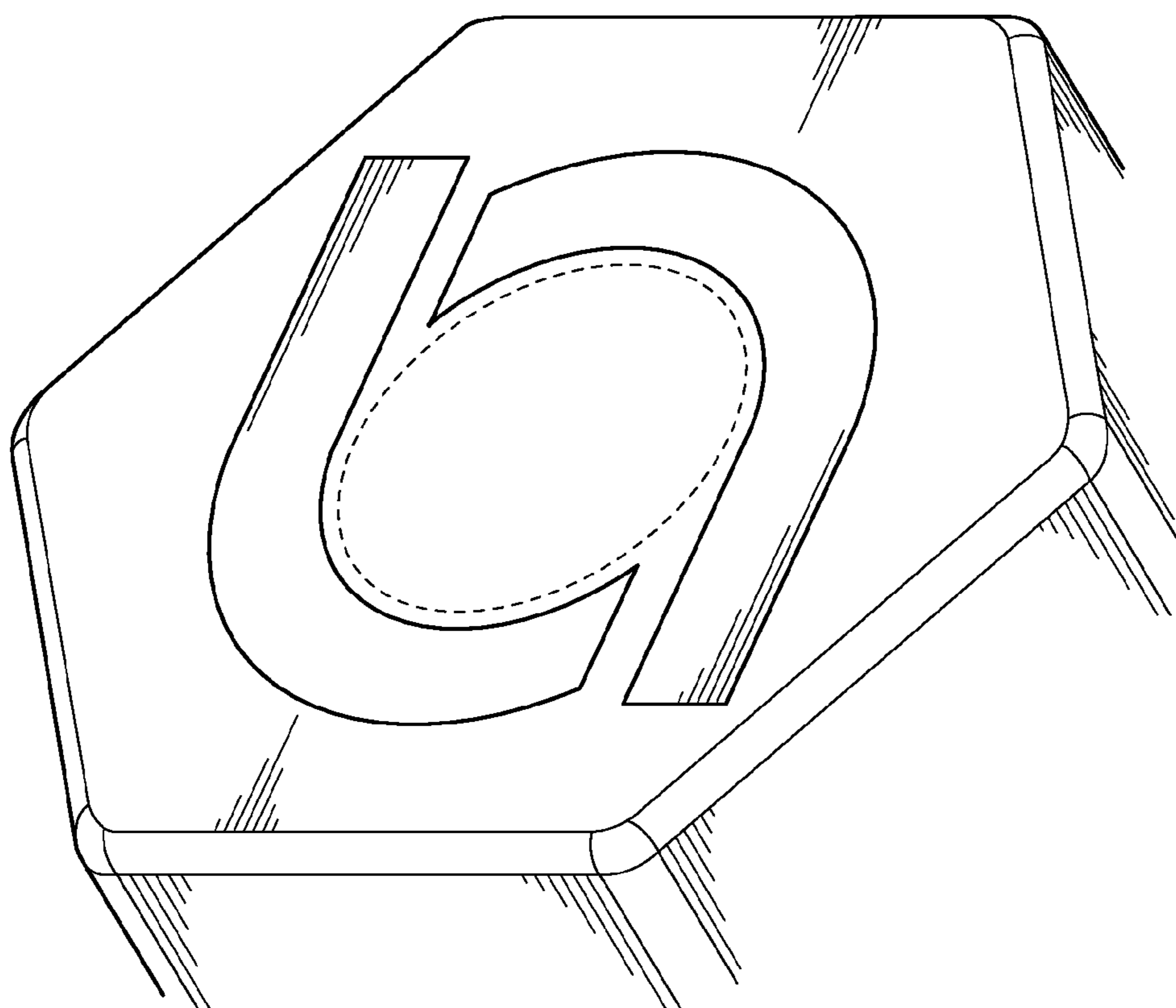


FIG. 4



**FIG. 5**



**FIG. 6**