



US00D739210S

(12) **United States Design Patent**
Morissette

(10) **Patent No.:** **US D739,210 S**
(45) **Date of Patent:** **** Sep. 22, 2015**

(54) **SHOWER PANEL GUIDE**

(71) Applicant: **Maax Bath Inc.**, Lachine (CA)

(72) Inventor: **Vincent Morissette**, Saint-Hubert (CA)

(73) Assignee: **MAAX BATH INC.**, Lachine (CA)

(**) Term: **14 Years**

(21) Appl. No.: **29/456,495**

(22) Filed: **May 31, 2013**

(51) **LOC (10) Cl.** **08-05**

(52) **U.S. Cl.**
USPC **D8/354**

(58) **Field of Classification Search**
USPC D8/349, 354
CPC A47K 3/14; A47F 5/00; A47H 1/10;
A47G 29/00; A47G 29/08
See application file for complete search history.

(56) **References Cited**

U.S. PATENT DOCUMENTS

5,893,181	A	4/1999	Moncaster	
5,911,519	A	6/1999	Eutebach	
D649,863	S *	12/2011	Meyer	D8/354
8,523,119	B1 *	9/2013	Greer et al.	248/65

FOREIGN PATENT DOCUMENTS

DE	37 25 543	A1	2/1989
DE	197 07 128	A1	11/1997
DE	196 43 102	A1	4/1998

DE	199 11 703	C1	12/2000
FR	2 754 698	A1	4/1998
WO	94/24917	A1	11/1994

* cited by examiner

Primary Examiner — Holly Baynham

(74) *Attorney, Agent, or Firm* — Fasken Martineau DuMoulin LLP

(57) **CLAIM**

The ornamental design for a shower panel guide, as shown and described.

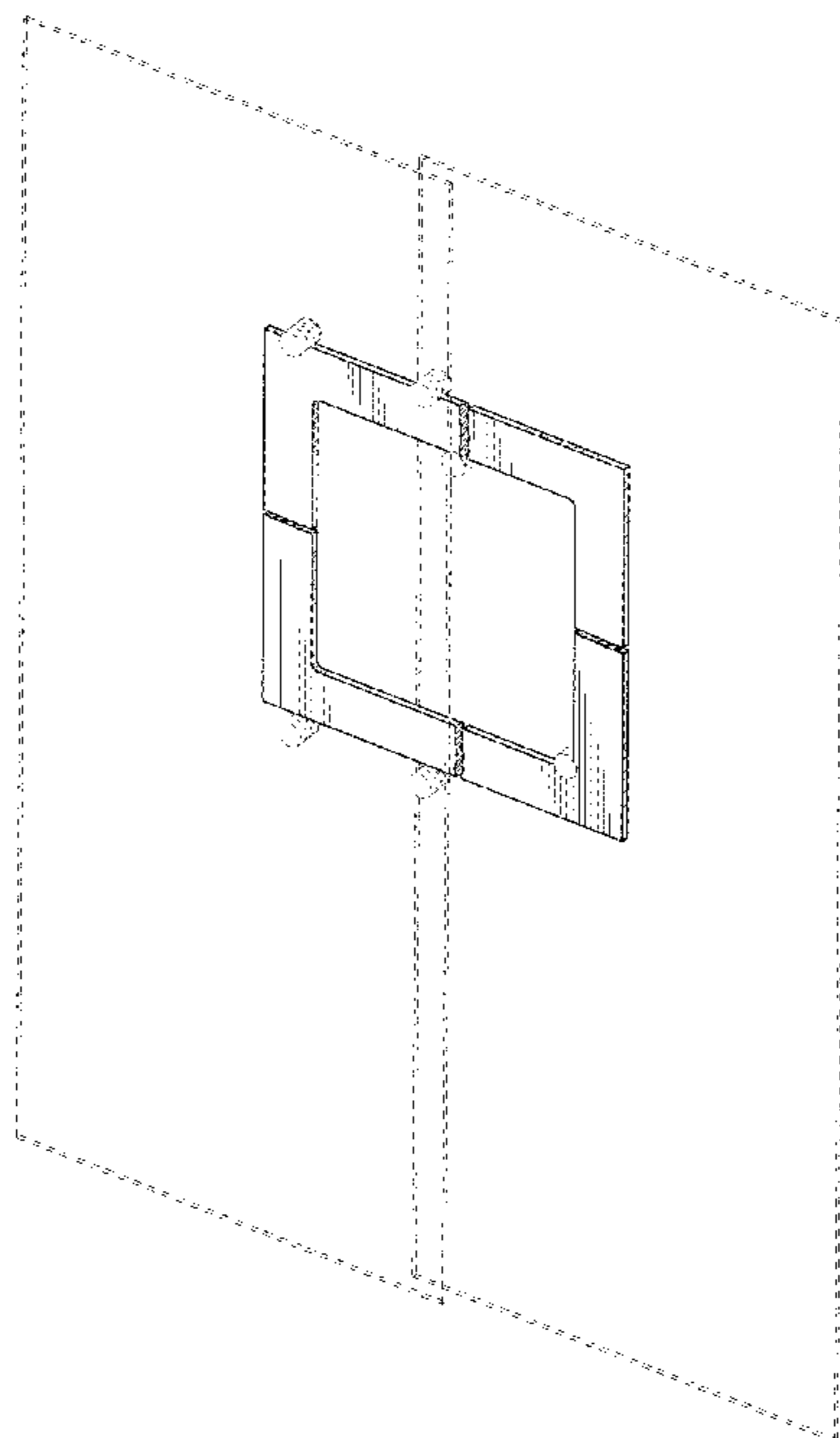
DESCRIPTION

FIG. 1 is a perspective view of a shower panel guide, according to our new design, with a transparent shower wall panel and a transparent shower door shown in dotted lines; FIG. 2 is another perspective view of the shower panel guide shown in FIG. 1, without the wall panel and shower door; FIG. 3 is a front view of the shower panel guide shown in FIG. 2; FIG. 4 is a rear view of the shower panel guide shown in FIG. 2; FIG. 5 is a left side view of the shower panel guide shown in FIG. 2; FIG. 6 is a right side view of the shower panel guide shown in FIG. 2; FIG. 7 is a top view of the shower panel guide shown in FIG. 2; and, FIG. 8 is a bottom view of the shower panel guide shown in FIG. 2.

The broken lines showing shower doors are for the purposes of illustrating environment and form no part of the claimed design.

The broken away symbols in the drawings indicate that any portion of the article beyond what is shown forms no part of the claimed design.

1 Claim, 3 Drawing Sheets



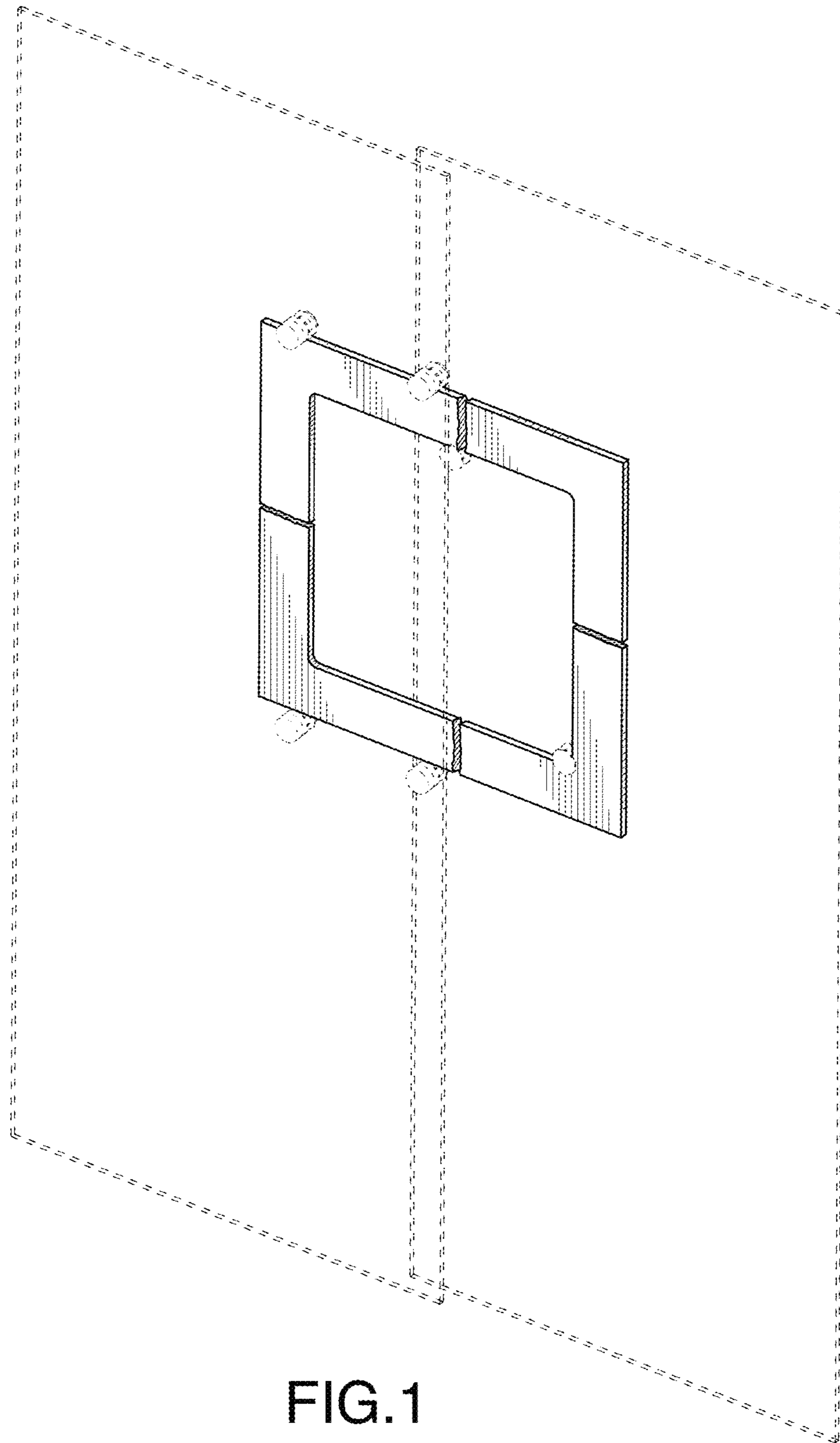


FIG. 1

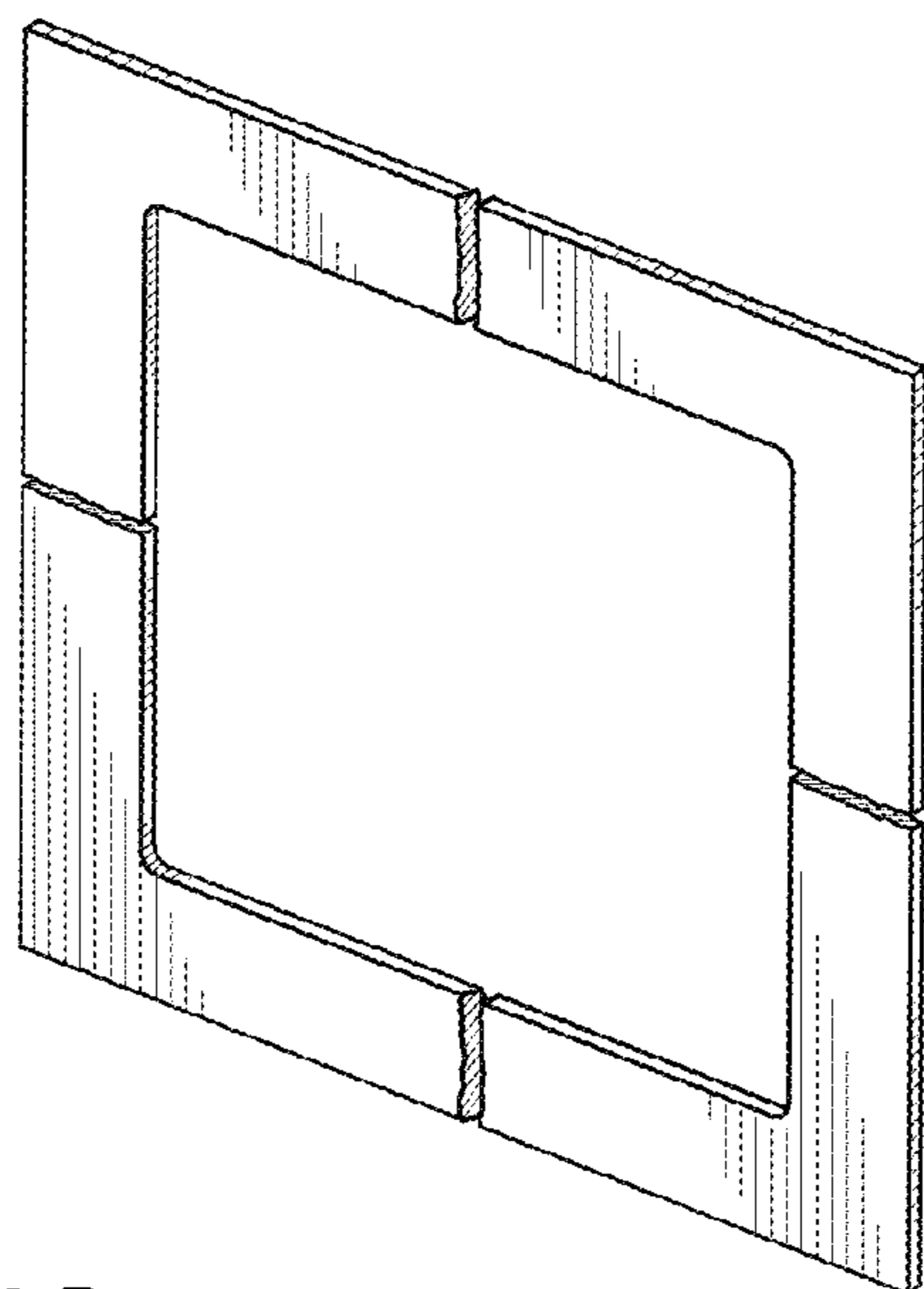


FIG. 2

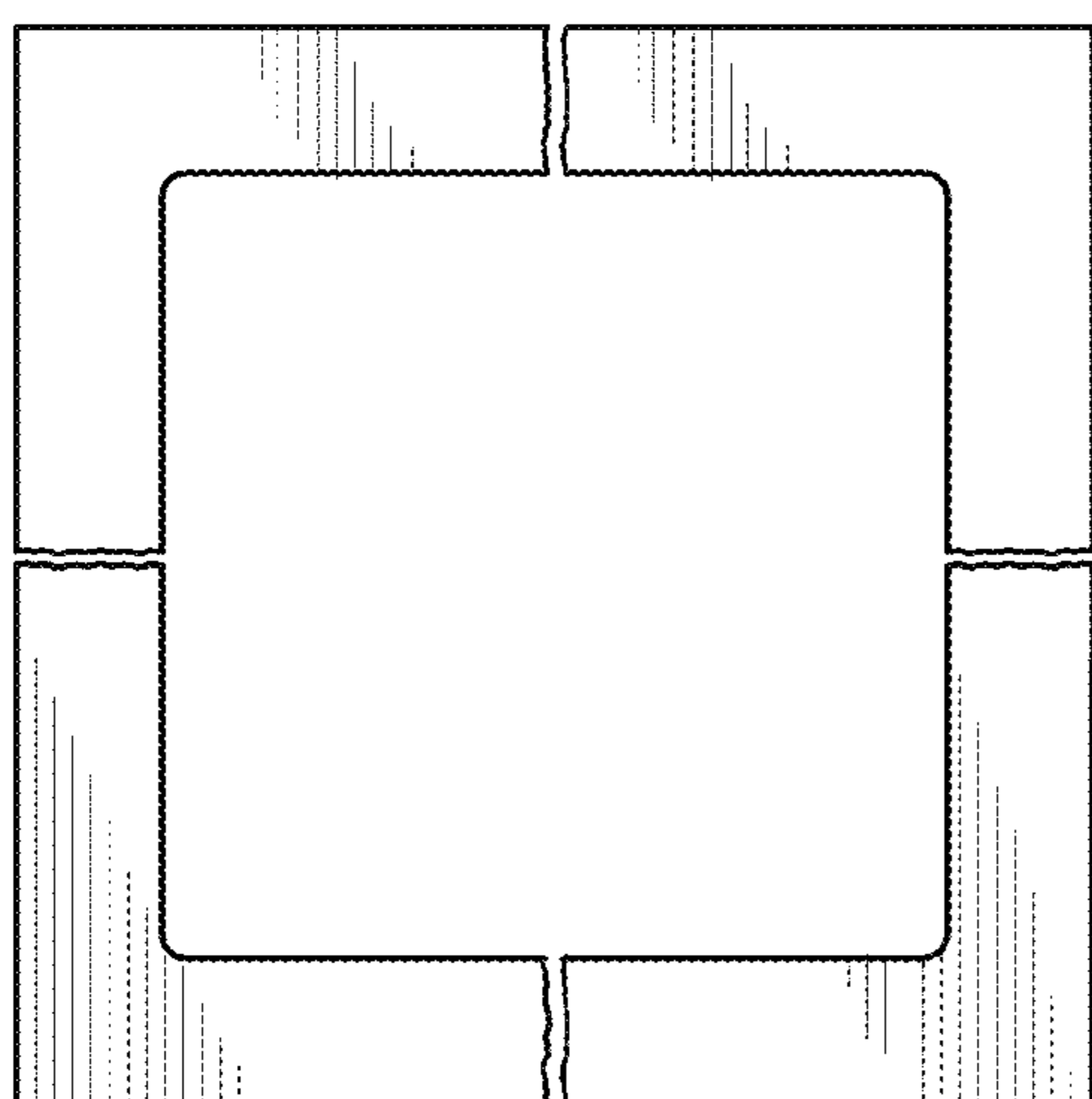


FIG. 3

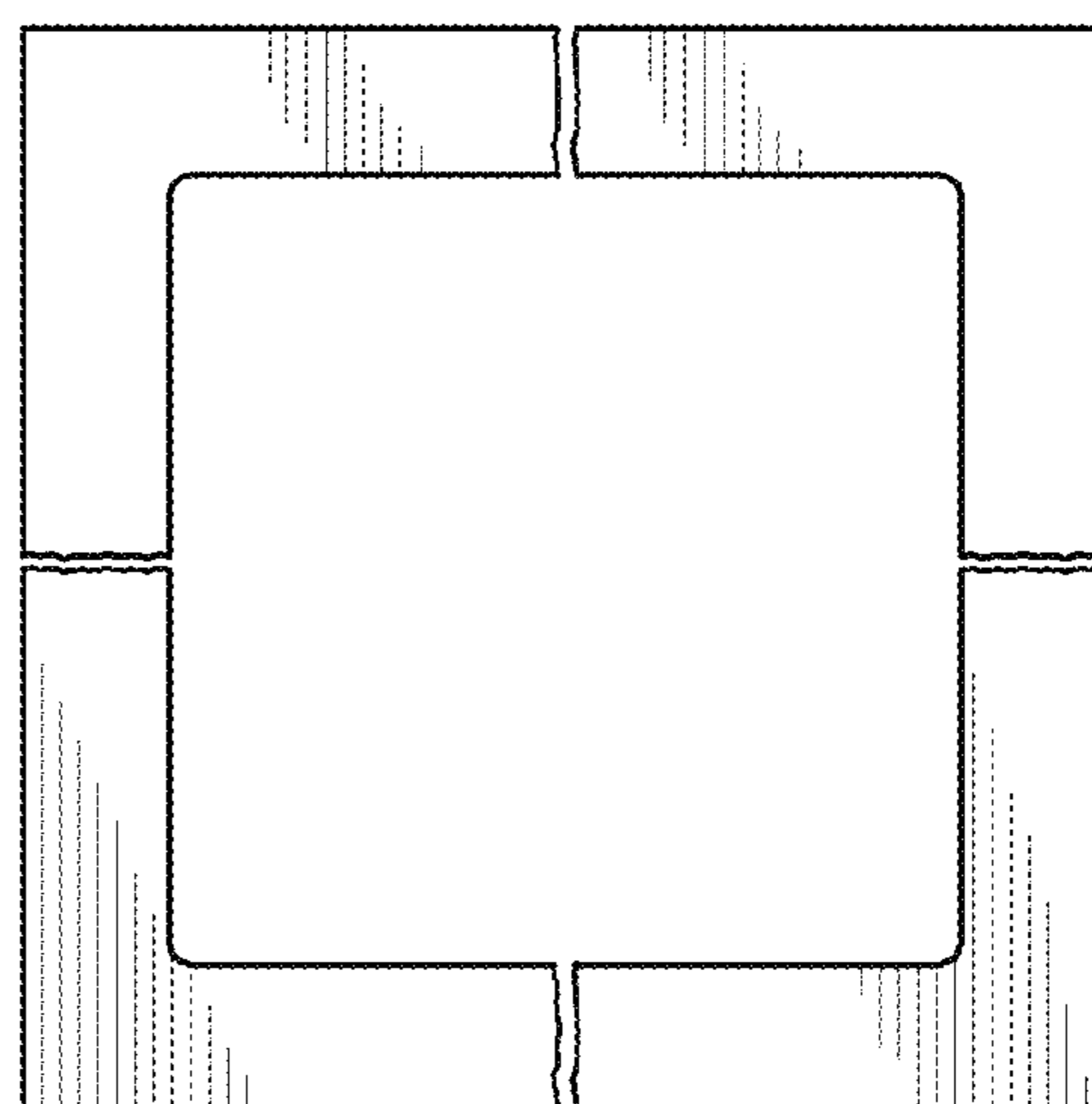


FIG. 4

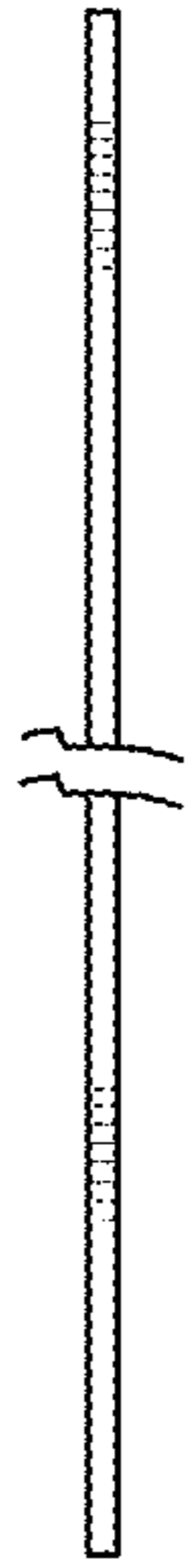


FIG. 5



FIG. 6

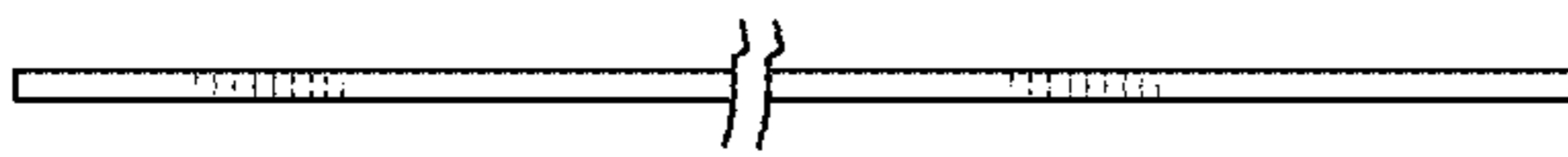


FIG. 7

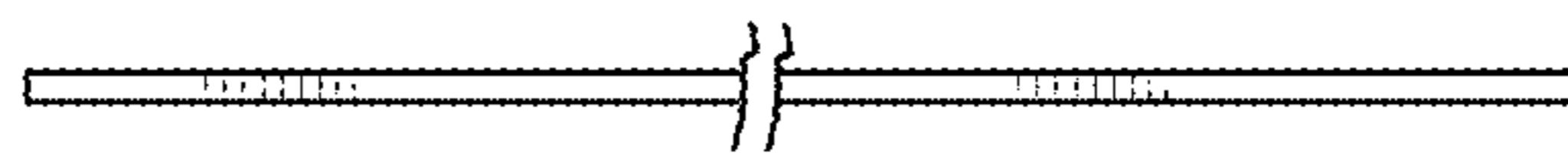


FIG. 8