



US00D739209S

(12) **United States Design Patent**
Lohmann

(10) **Patent No.:** **US D739,209 S**
(45) **Date of Patent:** **** Sep. 22, 2015**

- (54) **KEYHOLE COVER**
- (71) Applicant: **BLUCHER METAL A/S**, Vildbjerg (DK)
- (72) Inventor: **Hans Lohmann**, Soro (DK)
- (73) Assignee: **BLUCHER METAL A/S**, Vildbjerg (DK)
- (**) Term: **14 Years**
- (21) Appl. No.: **29/432,752**
- (22) Filed: **Sep. 20, 2012**

4,236,822	A	*	12/1980	Jaretsky et al.	356/256
D300,238	S	*	3/1989	Kohler et al.	D23/249
D356,050	S	*	3/1995	Tice et al.	D10/106.5
D372,417	S	*	8/1996	Jimenez	D8/343
D376,815	S	*	12/1996	Vermillion	D8/354
D408,268	S	*	4/1999	Dunn	D8/354
D436,022	S	*	1/2001	Arnold	D8/358
D465,989	S	*	11/2002	Carsello et al.	D8/352
D513,167	S	*	12/2005	Groff et al.	D8/354
D552,961	S	*	10/2007	Roberts	D8/331
D554,974	S	*	11/2007	Huang	D8/352
D599,444	S	*	9/2009	Jones	D23/261
D634,182	S	*	3/2011	Kang	D8/350
D673,246	S	*	12/2012	Lee	D23/260
2008/0023292	A1	*	1/2008	Rynearson et al.	192/107 M
2008/0054028	A1	*	3/2008	Brannon et al.	222/547
2011/0284590	A1	*	11/2011	Brannon et al.	222/212

* cited by examiner

- (30) **Foreign Application Priority Data**
- Mar. 21, 2012 (EM) 002012360-0002
- Mar. 21, 2012 (EM) 002012369-0001
- (51) **LOC (10) Cl.** **11-05**
- (52) **U.S. Cl.**
- USPC **D8/351**
- (58) **Field of Classification Search**
- USPC D8/14, 330, 349, 350, 351, 352, 354, D8/355, 356, 367, 382, 383, 395; D23/205, 249, 260, 261; 248/58, 62, 248/72, 74.1, 229, 231, 300, 499; 24/115 R, 24/129 R, 129 D, 343; 222/547, 564
- See application file for complete search history.

Primary Examiner — Eric Goodman
Assistant Examiner — Bao-Yen Nguyen
 (74) *Attorney, Agent, or Firm* — Sheridan Ross P.C.

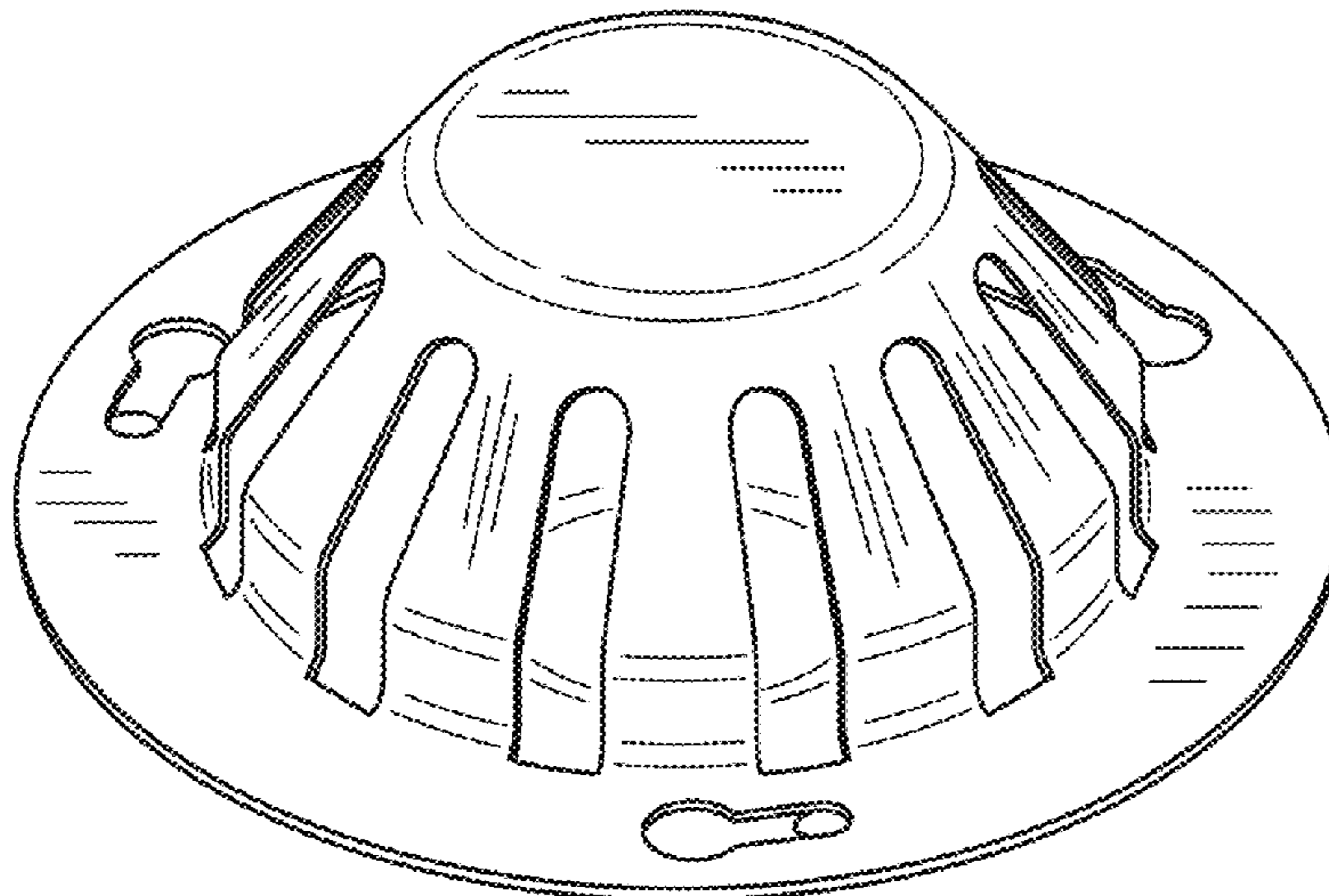
- (56) **References Cited**
- U.S. PATENT DOCUMENTS
- D119,892 S * 4/1940 Ressinger D8/312
- 4,134,162 A * 1/1979 Sharland et al. 4/292

(57) **CLAIM**
 The ornamental design for a keyhole cover, as shown and described.

DESCRIPTION

FIG. 1 is a perspective view of a keyhole cover showing my new design in a first embodiment;
 FIG. 2 is a front elevation view of FIG. 1, a rear elevation view being a mirror image;
 FIG. 3 is a top plan view of FIG. 1;
 FIG. 4 is a left side view of FIG. 1, a right side view being a mirror image; and,
 FIG. 5 is a bottom plan view of FIG. 1.

1 Claim, 3 Drawing Sheets



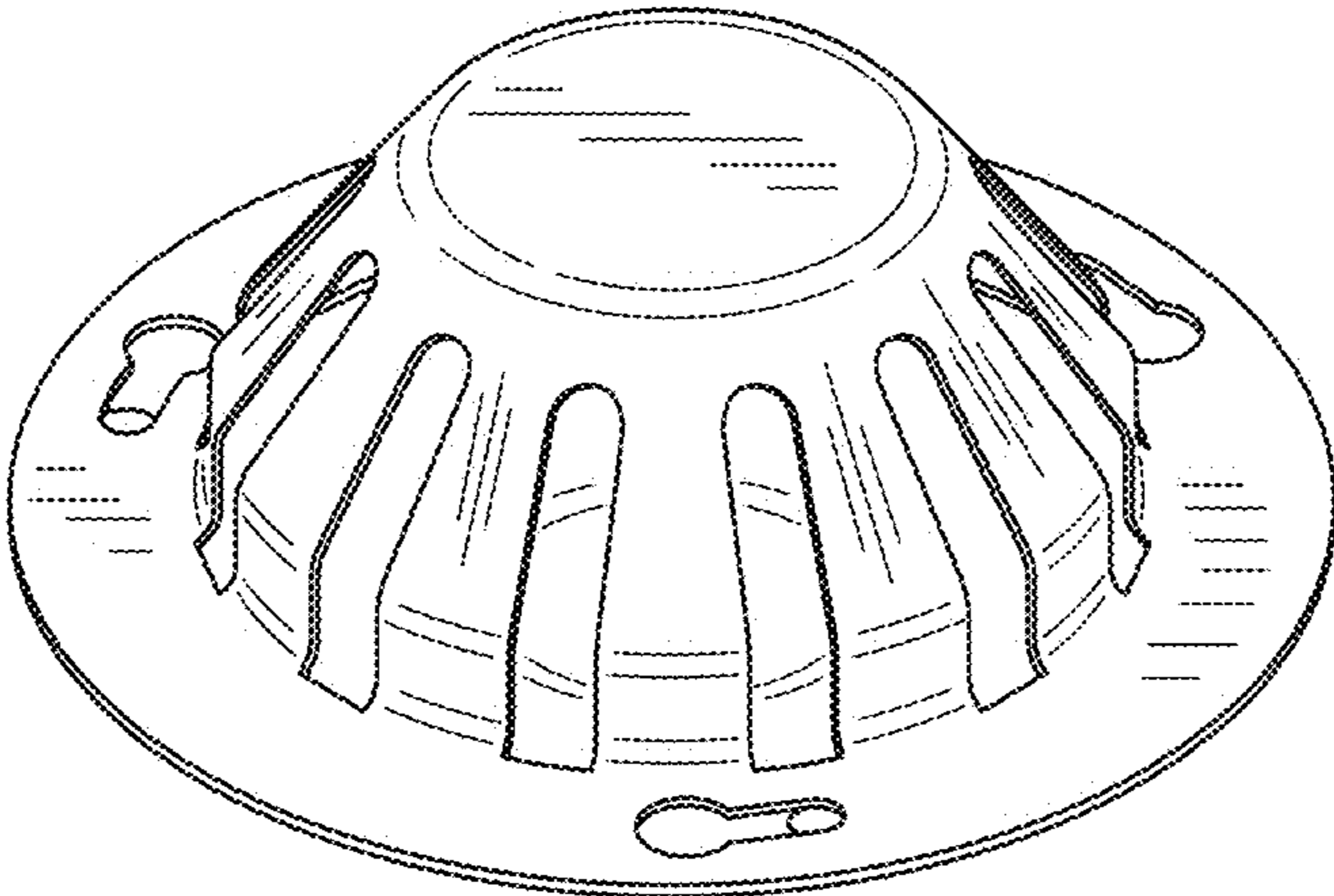


FIG. 1

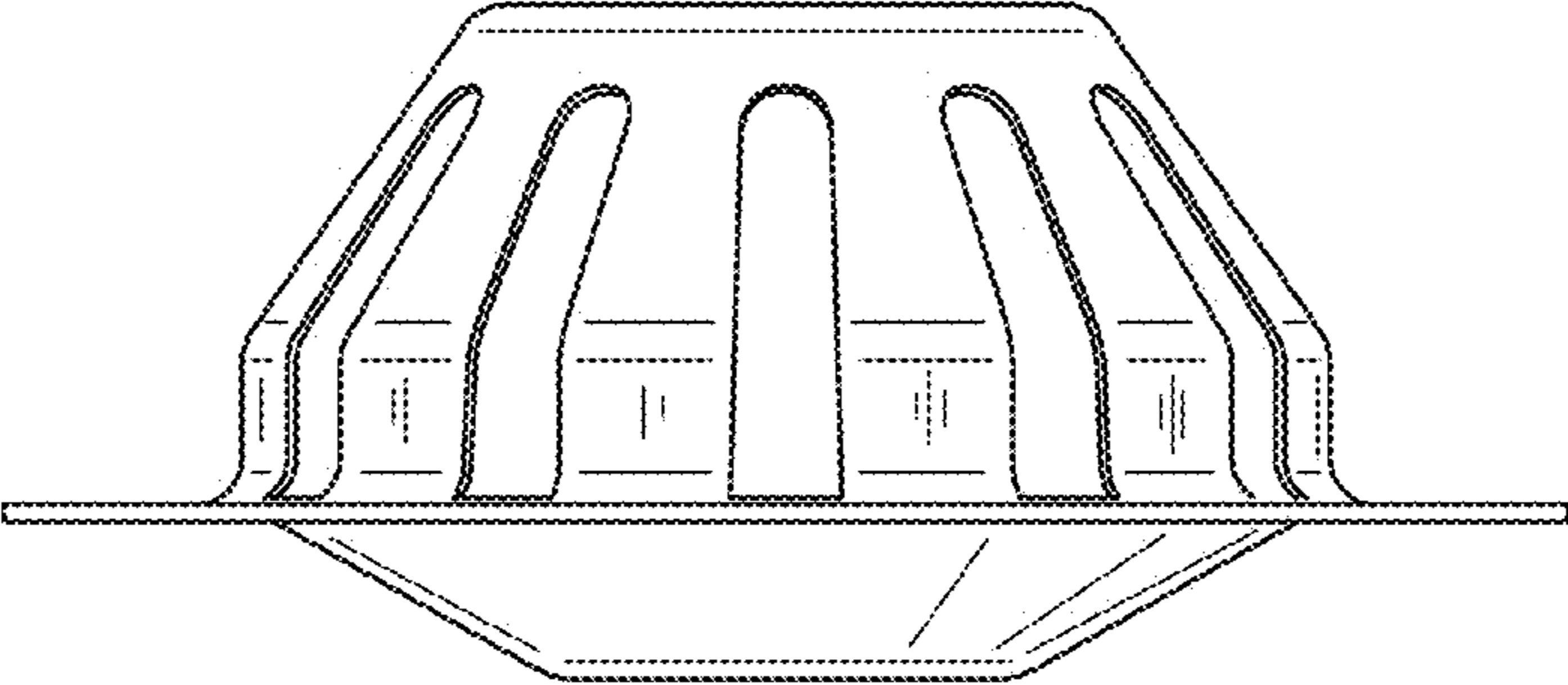


FIG. 2

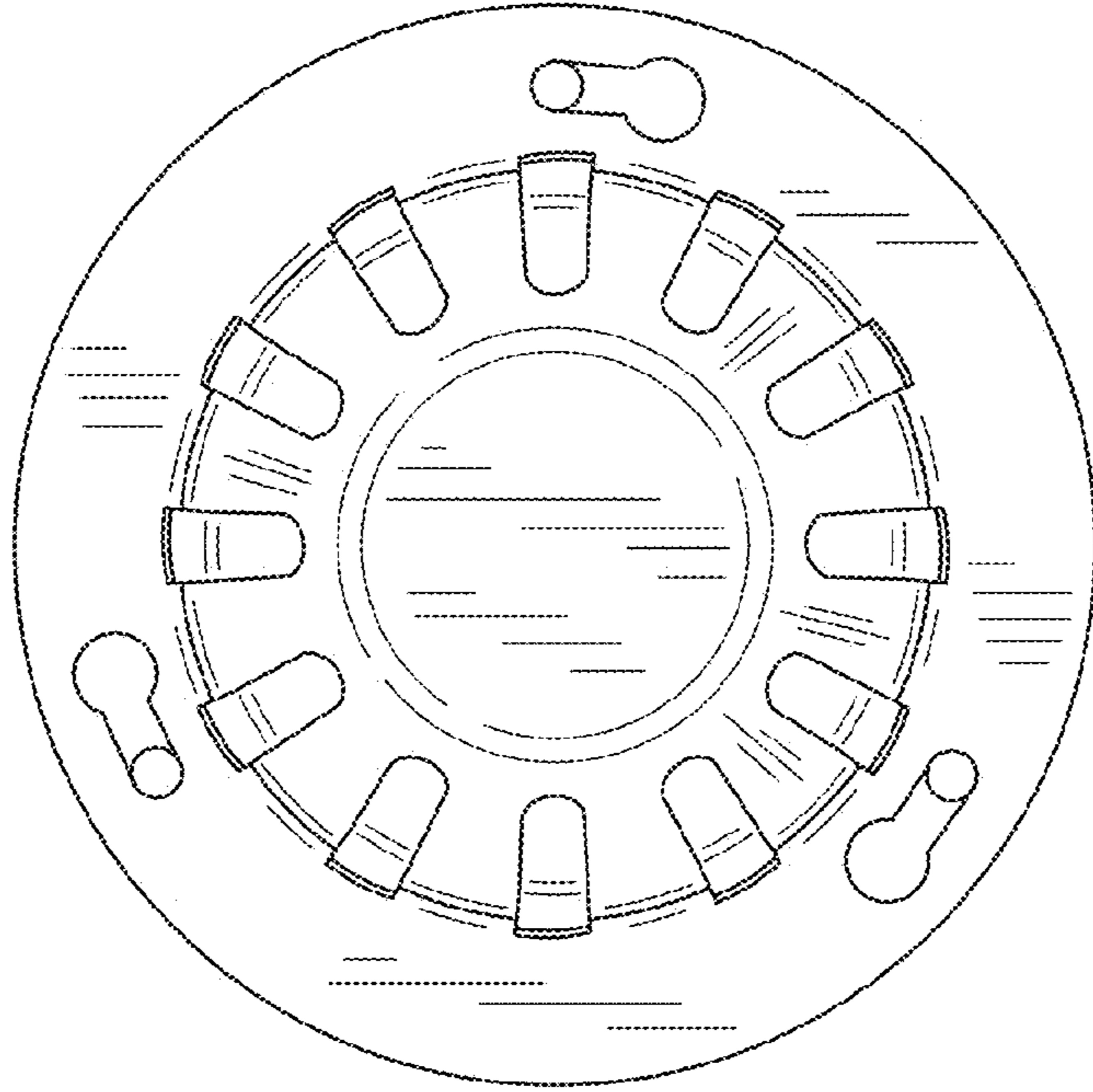


FIG. 3

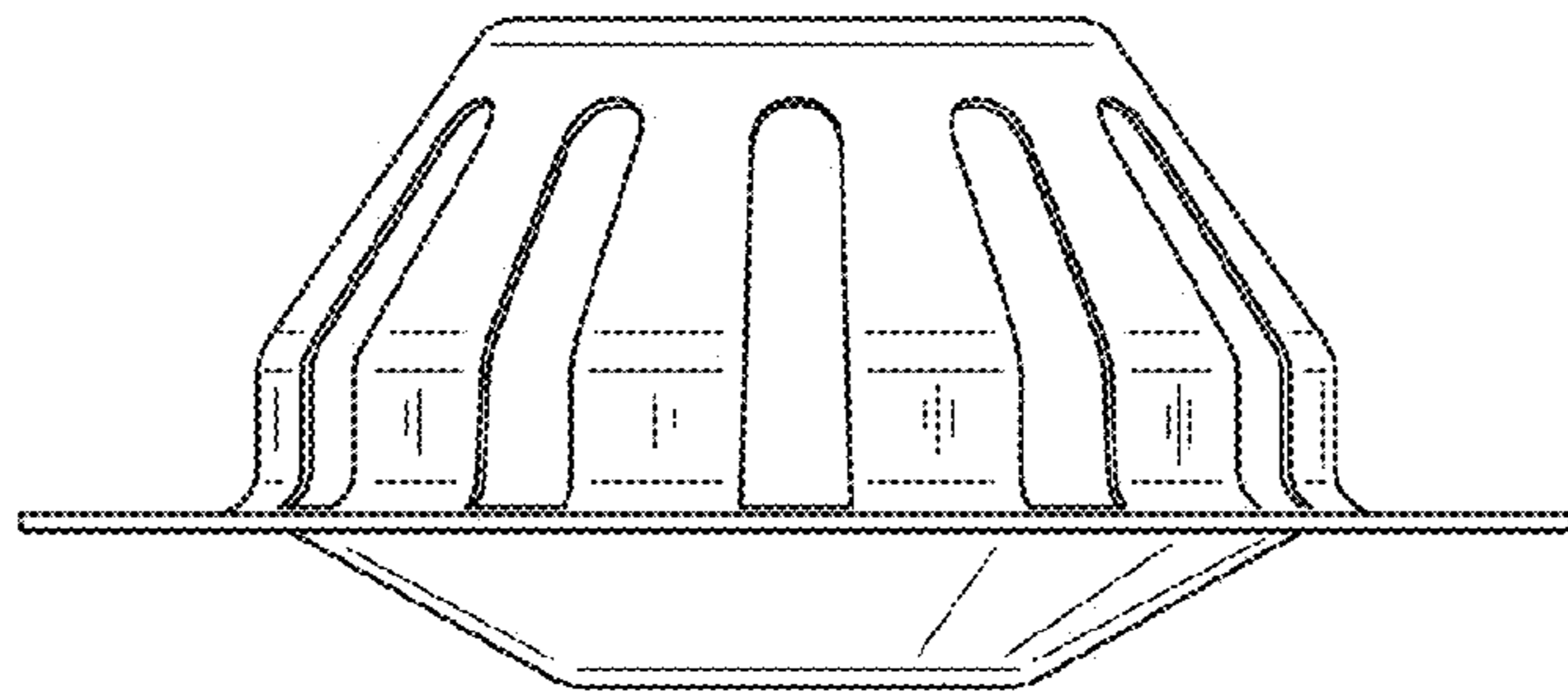


FIG. 4

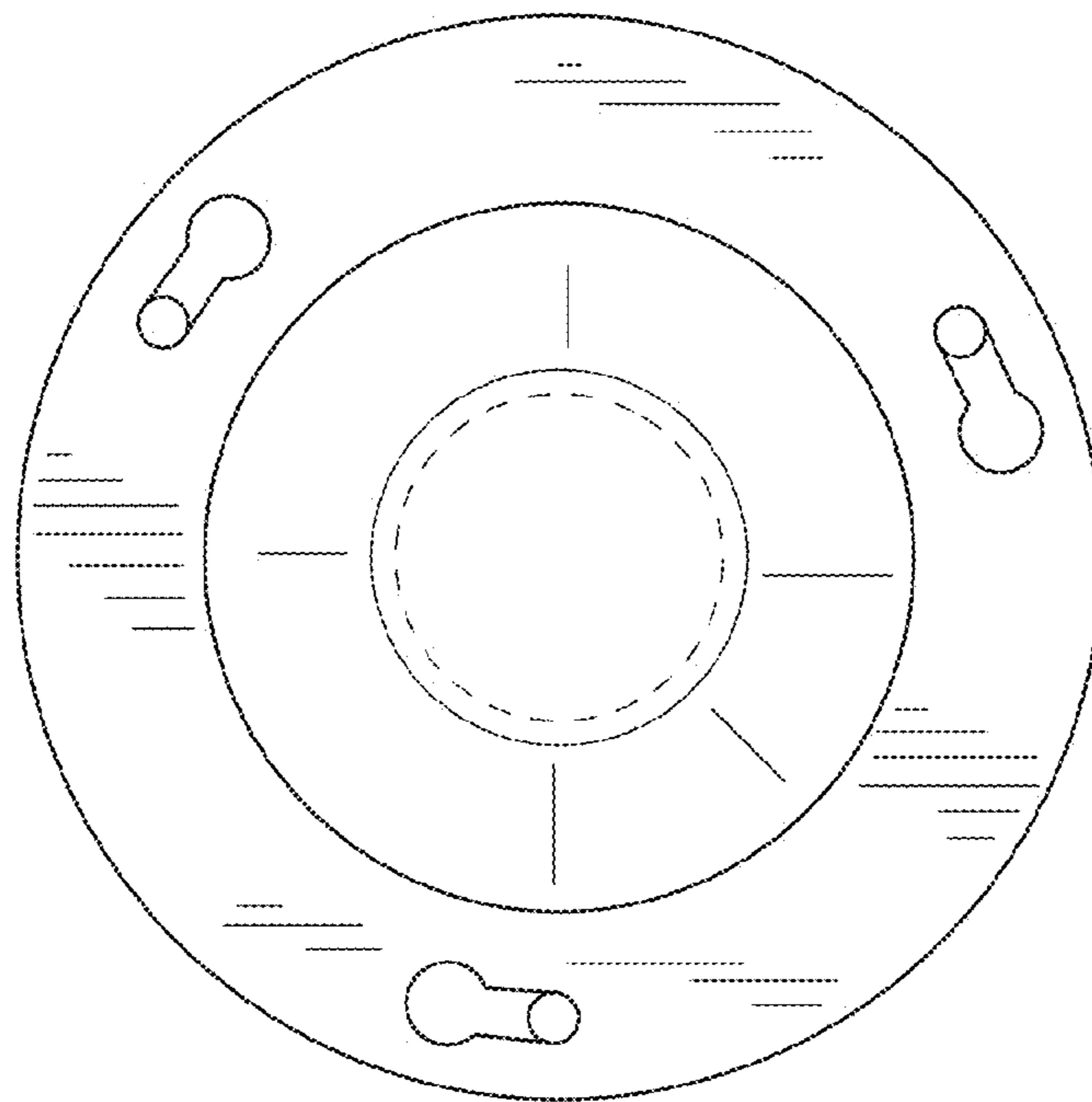


FIG.5