



US00D739206S

(12) **United States Design Patent**
Foret

(10) **Patent No.:** **US D739,206 S**

(45) **Date of Patent:** **** Sep. 22, 2015**

(54) **FASTENER ASSEMBLY**

(71) Applicant: **Daniel Foret**, River Ridge, LA (US)

(72) Inventor: **Daniel Foret**, River Ridge, LA (US)

(**) Term: **14 Years**

(21) Appl. No.: **29/440,542**

(22) Filed: **Dec. 21, 2012**

(51) **LOC (10) Cl.** **08-08**

(52) **U.S. Cl.**

USPC **D8/349**; D8/382; D11/220

(58) **Field of Classification Search**

USPC D8/382, 349; D11/220, 200, 222, 226;
24/94, 95, 92, 113 R, 9 C, 9 E

CPC A41F 1/002; A41F 1/00; A45C 13/1069;
Y10T 24/32; Y10T 292/11

See application file for complete search history.

(56) **References Cited**

U.S. PATENT DOCUMENTS

D294,810	S	*	3/1988	Morita	D11/231
D301,567	S	*	6/1989	Burke	D11/220
D337,967	S	*	8/1993	Wright	D11/226
D350,501	S	*	9/1994	Schriever	D11/220
D367,438	S	*	2/1996	Schriever	D11/220
5,572,773	A	*	11/1996	Bauer	24/303
5,722,126	A	*	3/1998	Reiter	24/303
D400,429	S	*	11/1998	Morita	D8/382
D404,997	S	*	2/1999	Podell	D8/382
D405,352	S	*	2/1999	Rosenbauer	D8/382
D413,282	S	*	8/1999	Aoki	D11/220
D441,639	S	*	5/2001	Reiter	D8/382
D452,643	S	*	1/2002	Morita	D8/382
D452,813	S	*	1/2002	Morita	D8/382
D453,105	S	*	1/2002	Morita	D8/382
D454,482	S	*	3/2002	Morita	D8/382
D464,562	S	*	10/2002	Reiter	D8/382

(Continued)

Primary Examiner — Mark Goodwin

(74) *Attorney, Agent, or Firm* — Andrew G. Vicknair

(57) **CLAIM**

The ornamental design for fastener assembly, as shown and described.

DESCRIPTION

FIG. 1 is a perspective representational view of the fastener assembly illustrating a front tilted side view of the product; FIG. 2 is a perspective representational view of the fastener assembly illustrating a front top side view of the product; FIG. 3 is a side view of the fastener assembly illustrating one side of the product;

FIG. 4 is another side view of the fastener assembly illustrating another side of the product;

FIG. 5 is an overhead view of the product;

FIG. 6 is another overhead view of the product (opposite of FIG. 5);

FIG. 7 is a tilted side perspective view of the fastener assembly with all pieces of the fastener snapped together;

FIG. 8 is another side perspective view of the fastener assembly with all pieces of the fastener snapped together;

FIG. 9 is a side view of the fastener with all pieces of the fastener assembly snapped together;

FIG. 10 is another side view of the fastener with all pieces of the fastener assembly snapped together (opposite of FIG. 9);

FIG. 11 is an overhead view of the fastener assembly with all pieces of the fastener snapped together; and,

FIG. 12 is an another overhead view of the fastener assembly with all pieces of the fastener snapped together (opposite of FIG. 11).

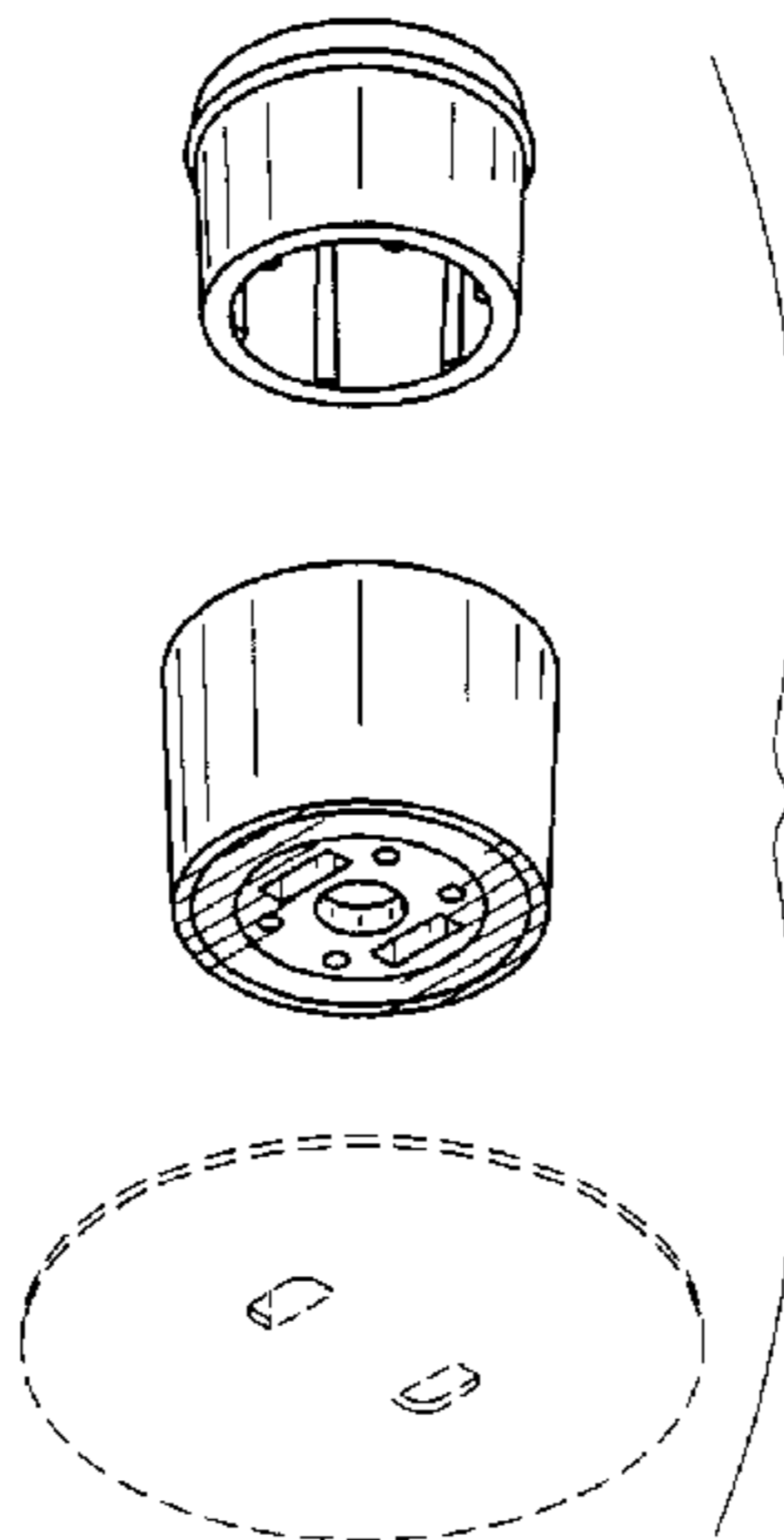
It should be understood that the labels used herein for describing orientation (e.g. front, back, side, top, and bottom) are merely for reference, and the design may be disposed in any manner and still be within the scope of the present invention.

The shading lines are for illustrative purposes only and forms no part of the claimed design.

The broken line showing is for illustrative purposes only and forms no part of the claimed design.

The drawings of particular orientations of the present invention are for illustrative purposes and are not limitations on the present invention.

1 Claim, 3 Drawing Sheets



(56)

References Cited

U.S. PATENT DOCUMENTS

D474,997 S * 5/2003 Berzack D11/222
D486,094 S * 2/2004 Candotti D11/226
D492,619 S * 7/2004 Udolph et al. D11/200
D494,887 S * 8/2004 Walraven D11/200

D508,396 S * 8/2005 Gimpel et al. D8/382
D516,953 S * 3/2006 Hollingworth et al. D11/220
D517,947 S * 3/2006 Hollingworth et al. D11/220
D552,691 S * 10/2007 Tak D21/480
D642,089 S * 7/2011 Chan D11/220
D648,210 S * 11/2011 Reynoso D8/382

* cited by examiner

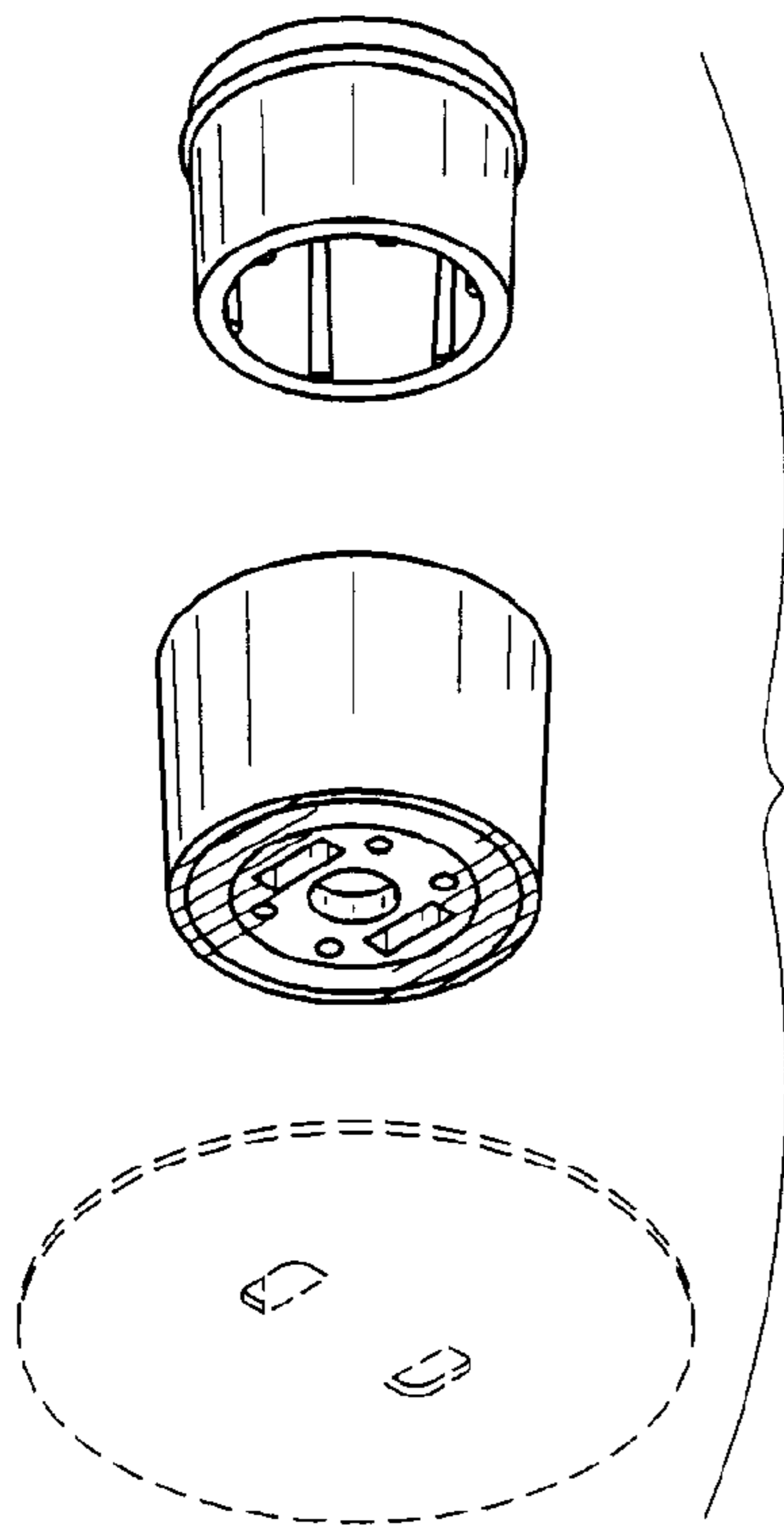


FIG. 1

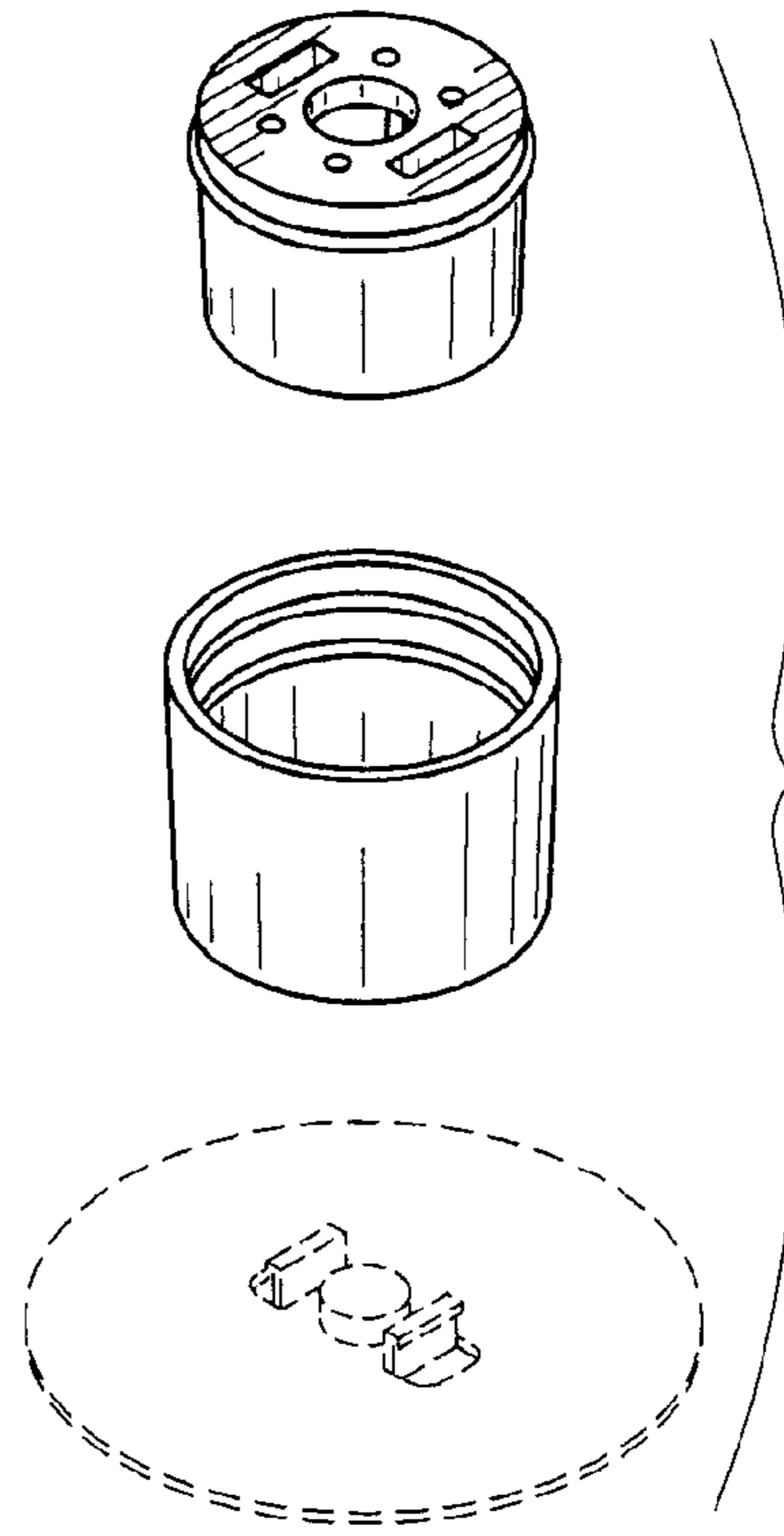


FIG. 2

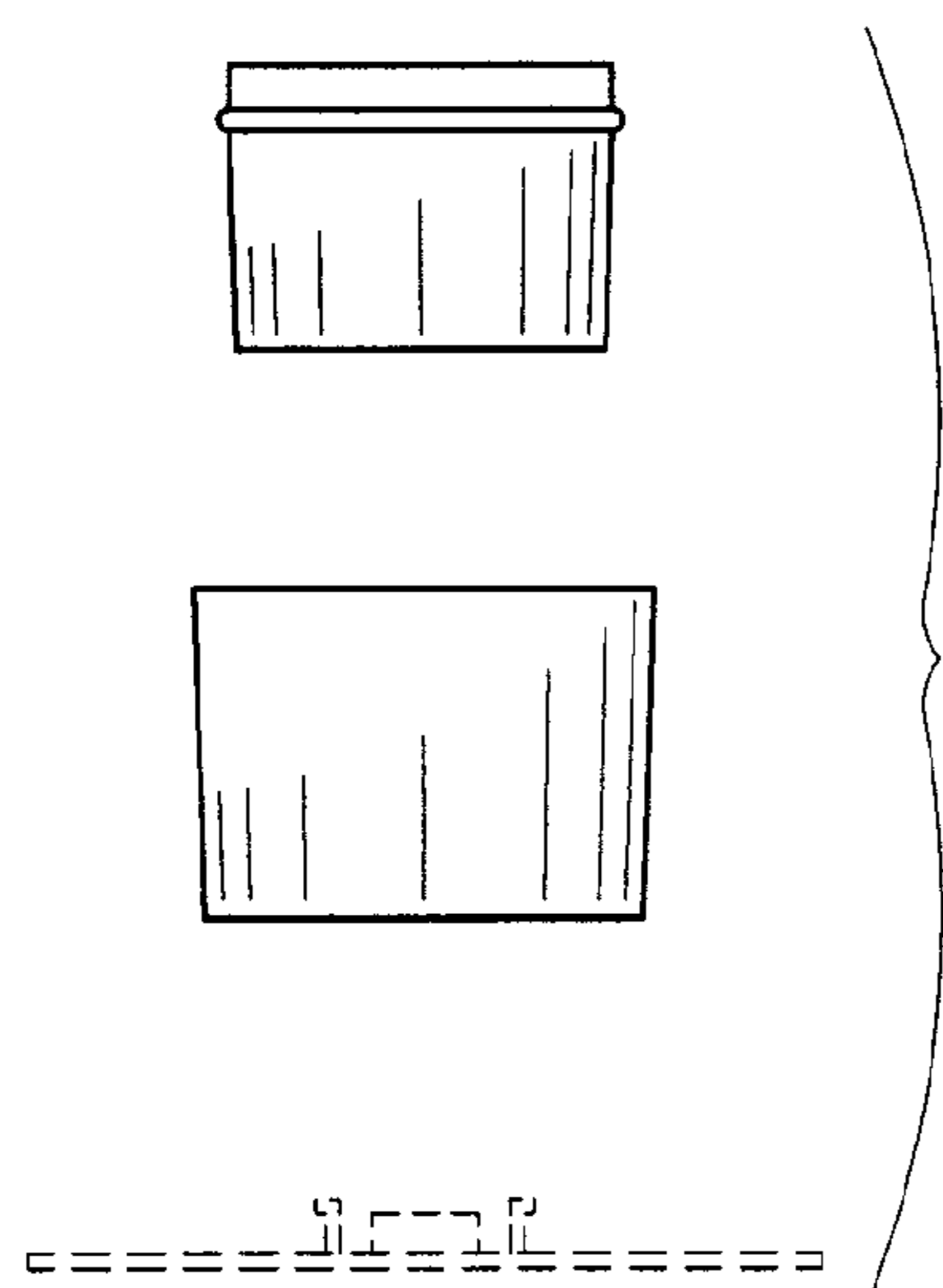


FIG. 3

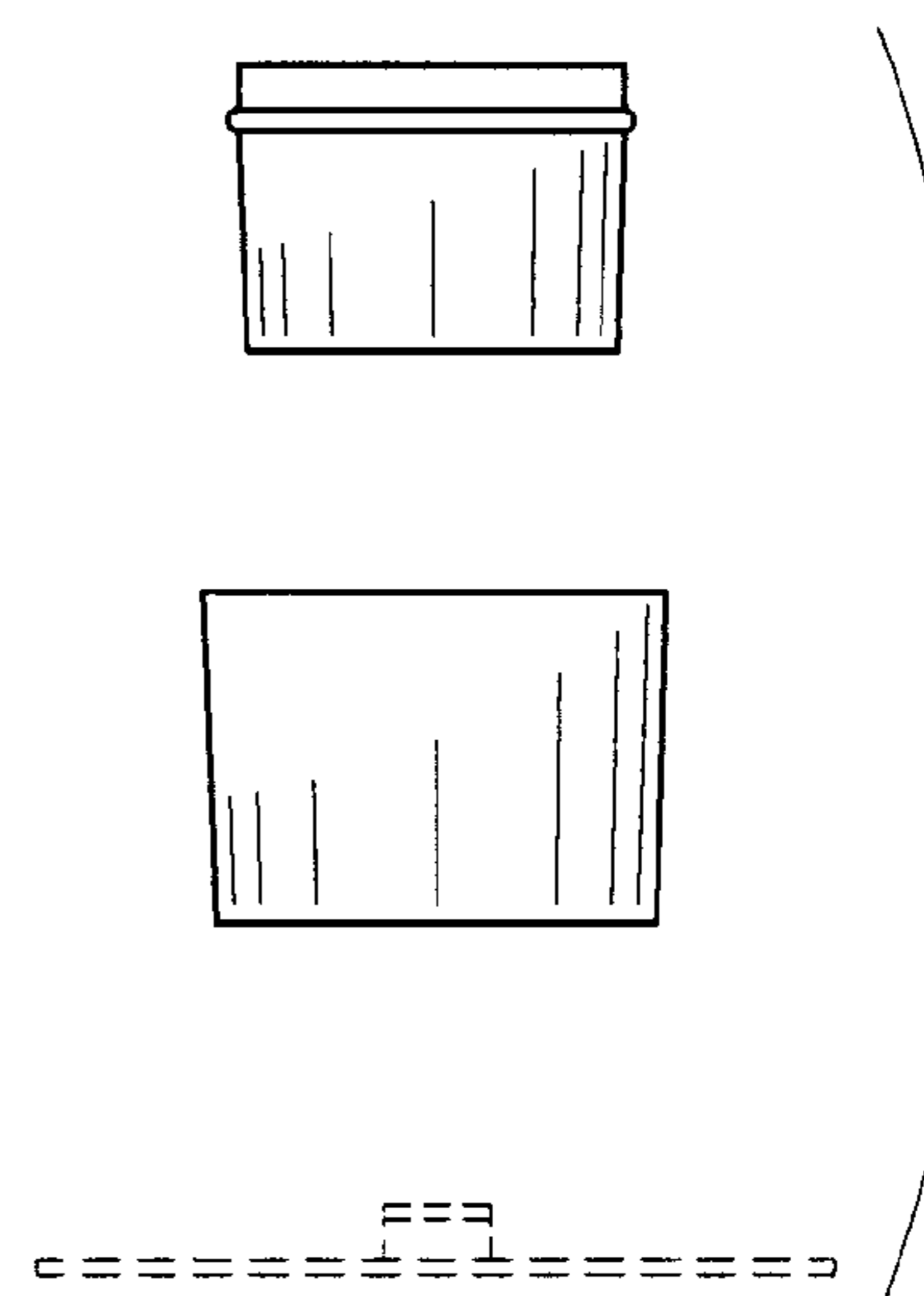
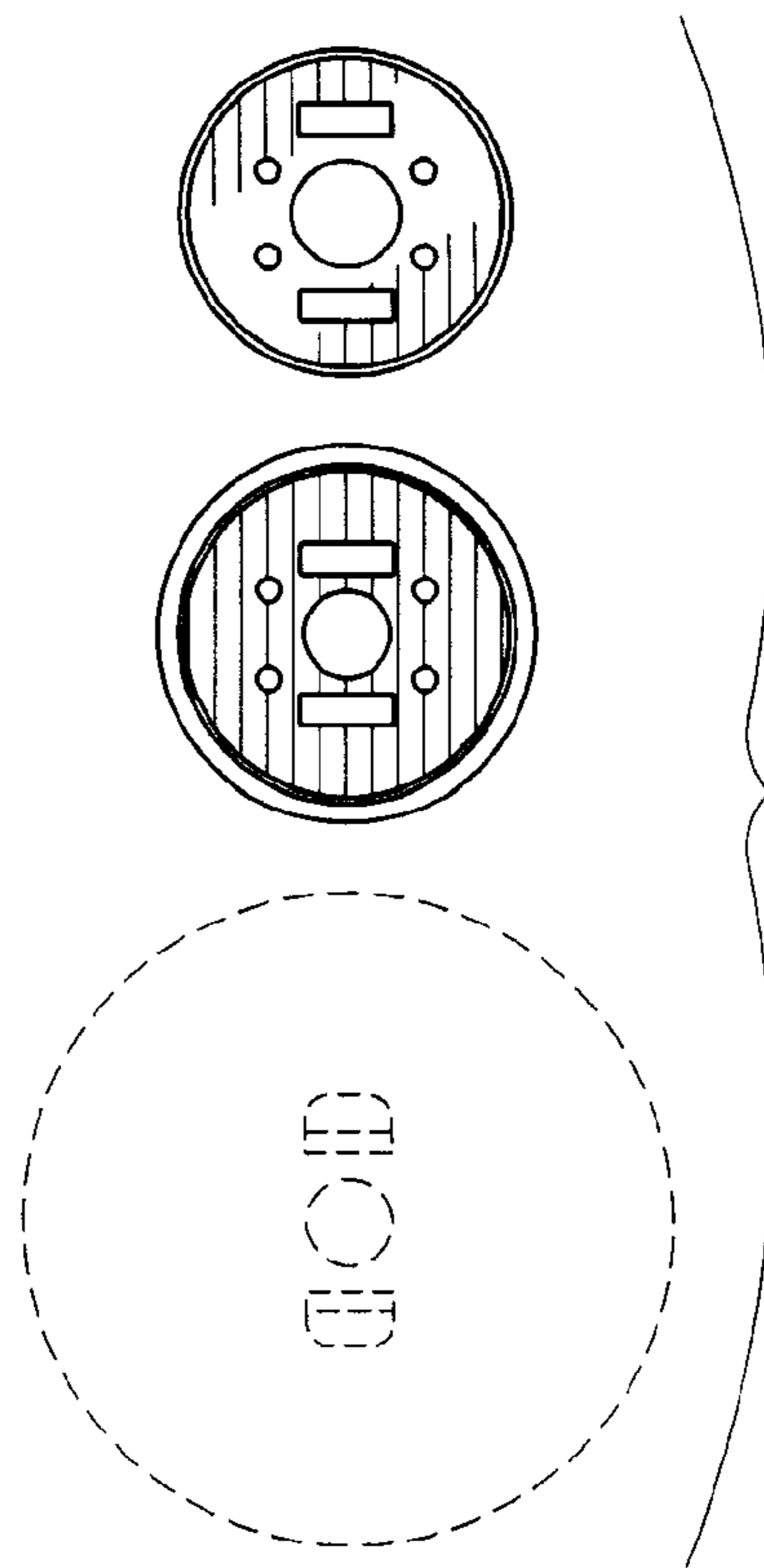
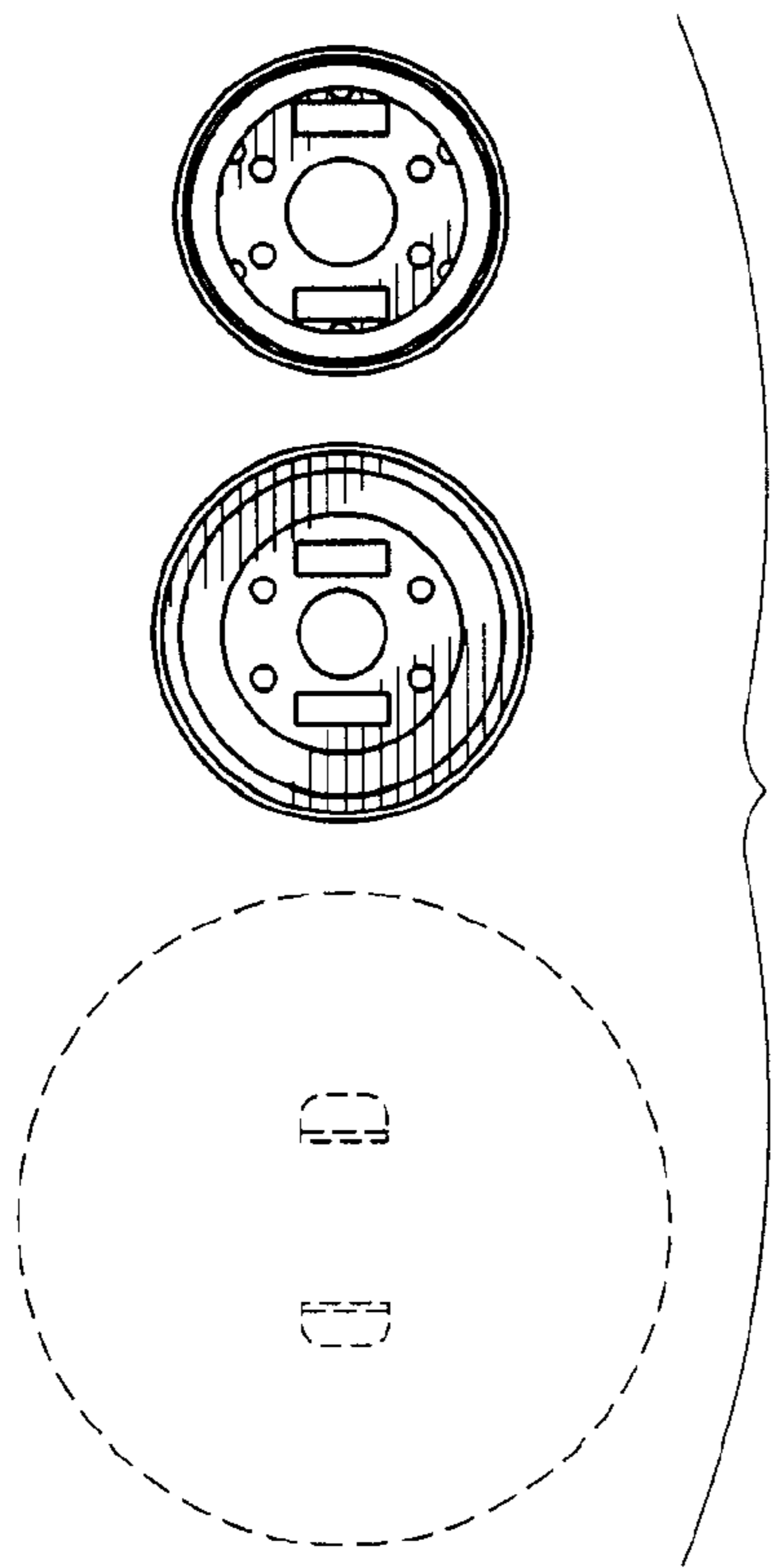


FIG. 4



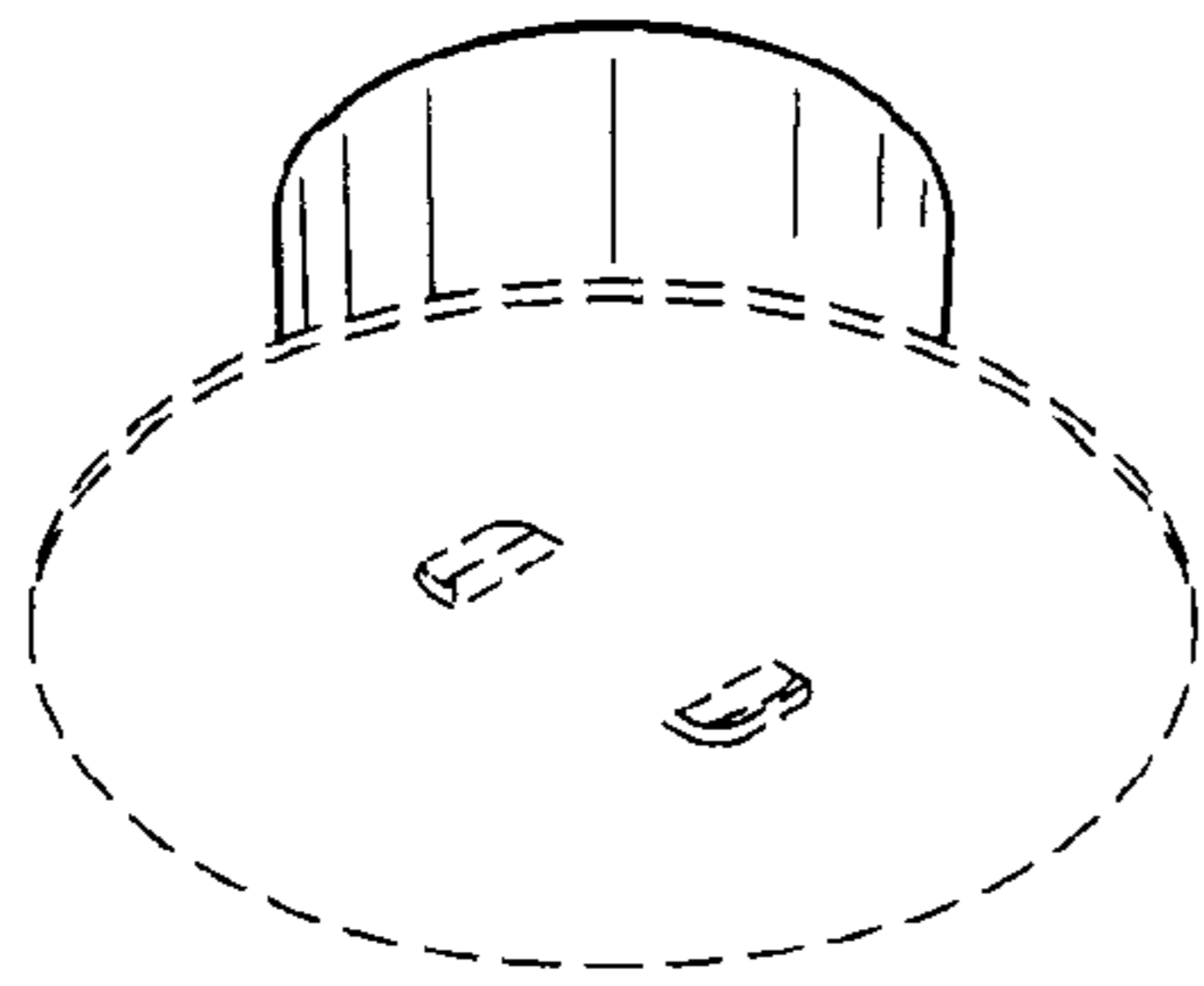


FIG. 7

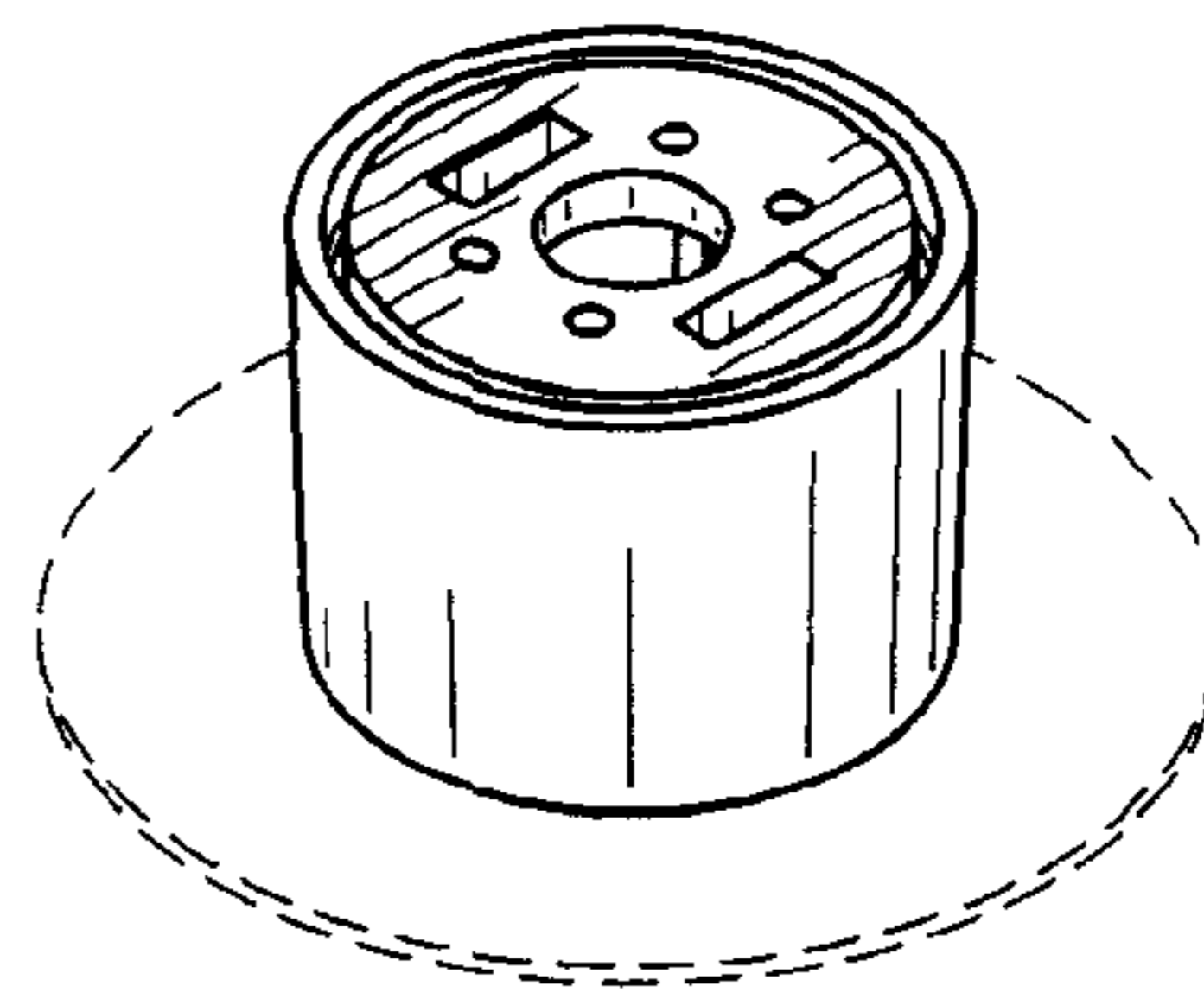


FIG. 8

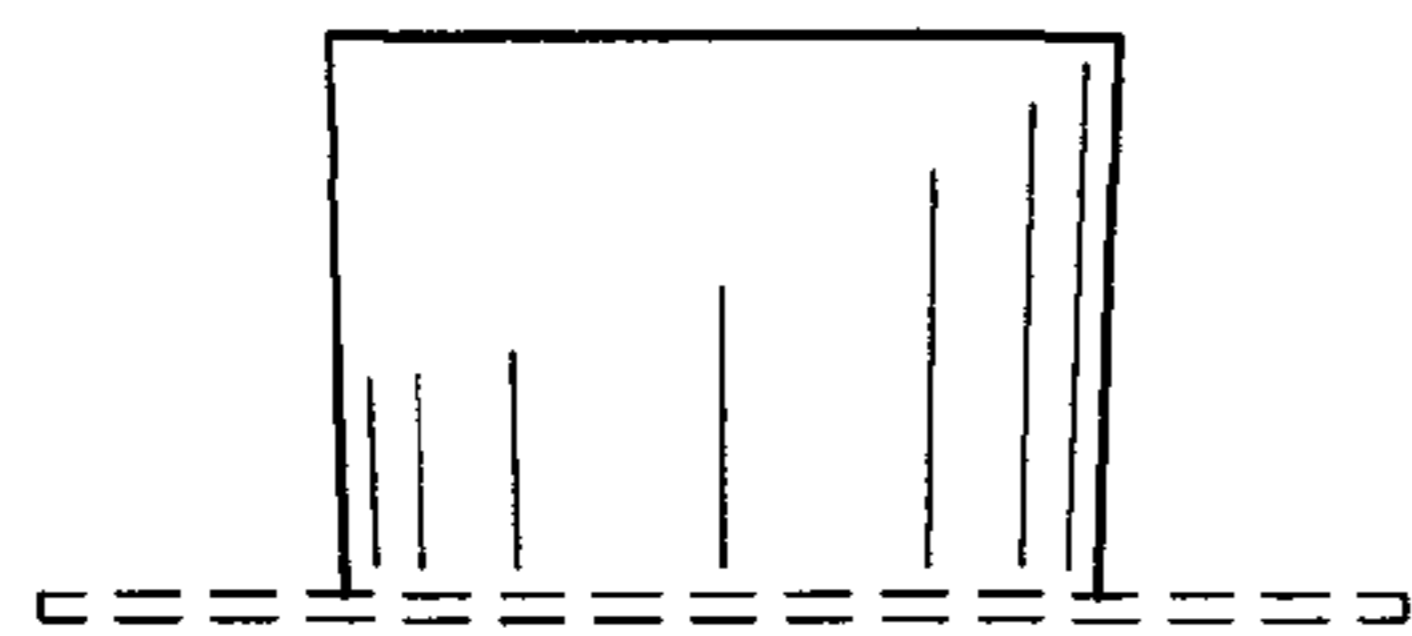


FIG. 9

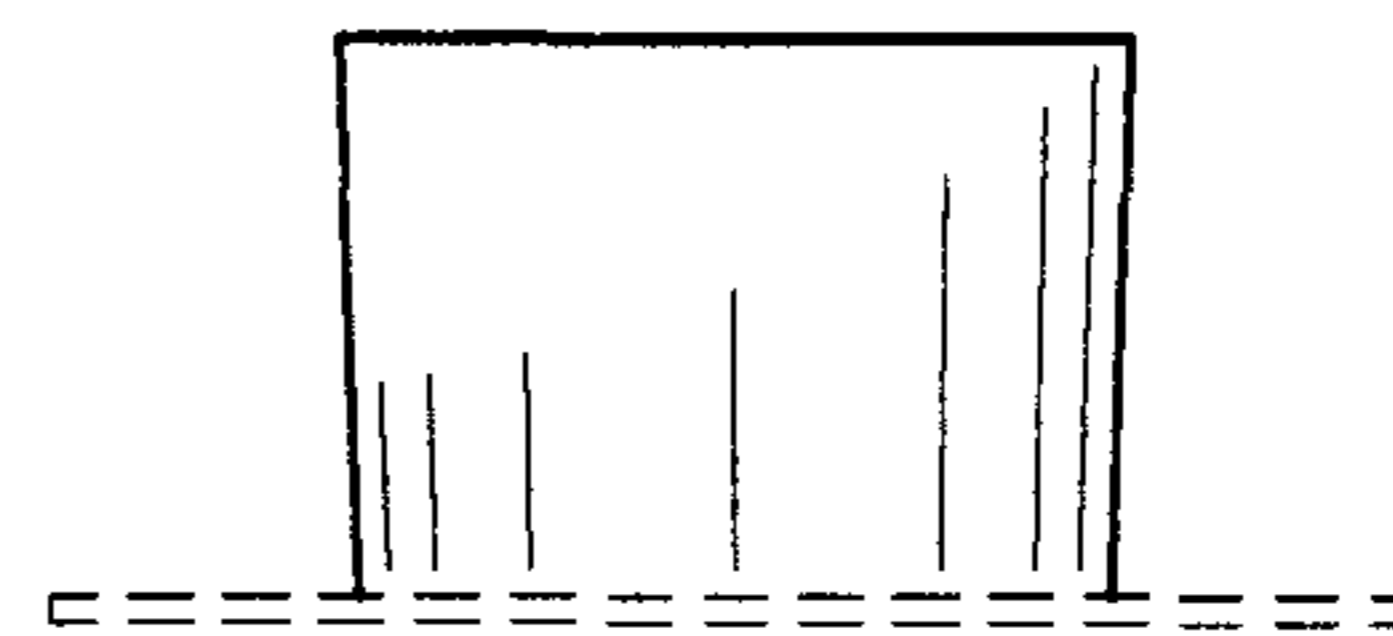


FIG. 10

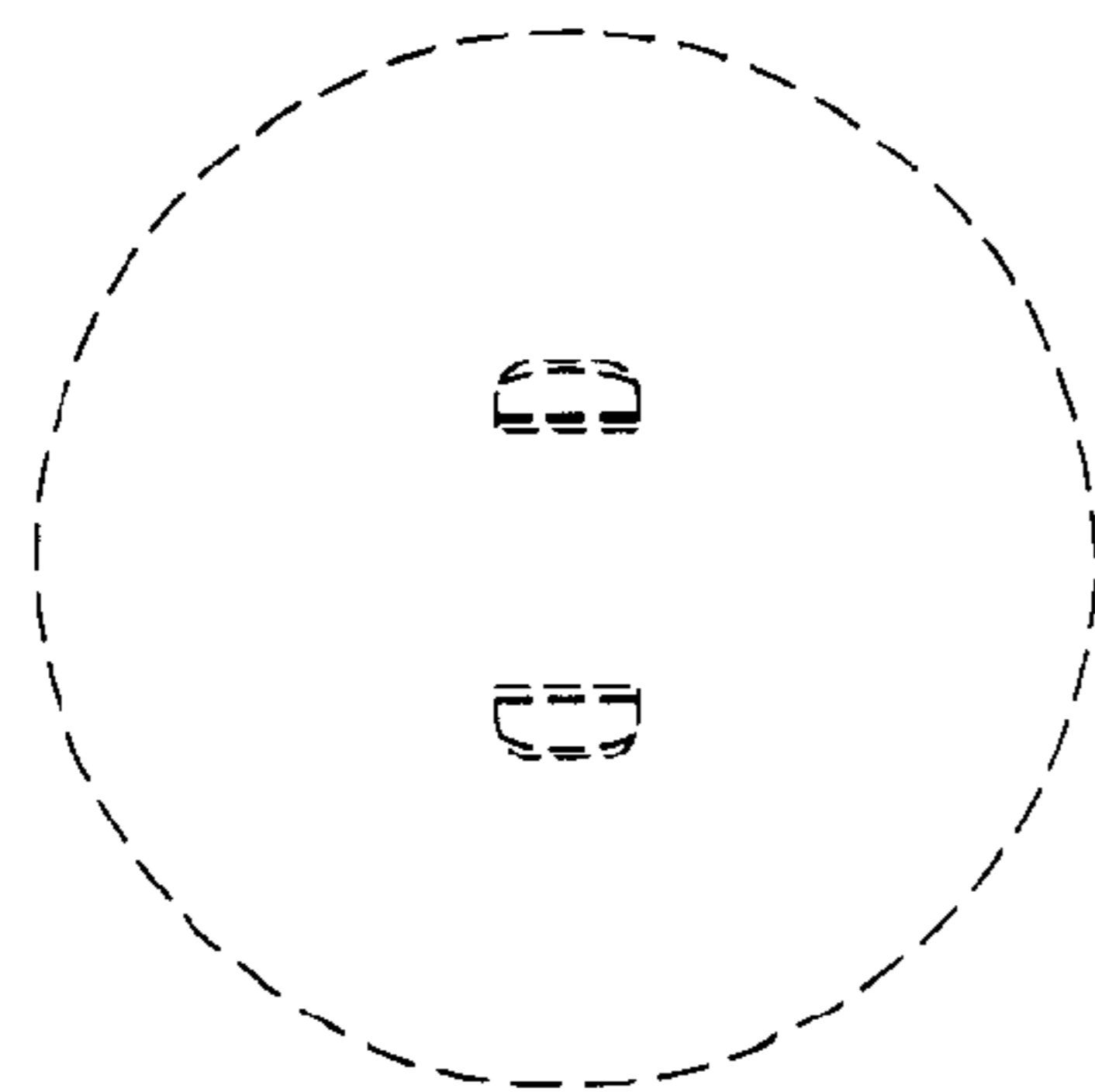


FIG. 11

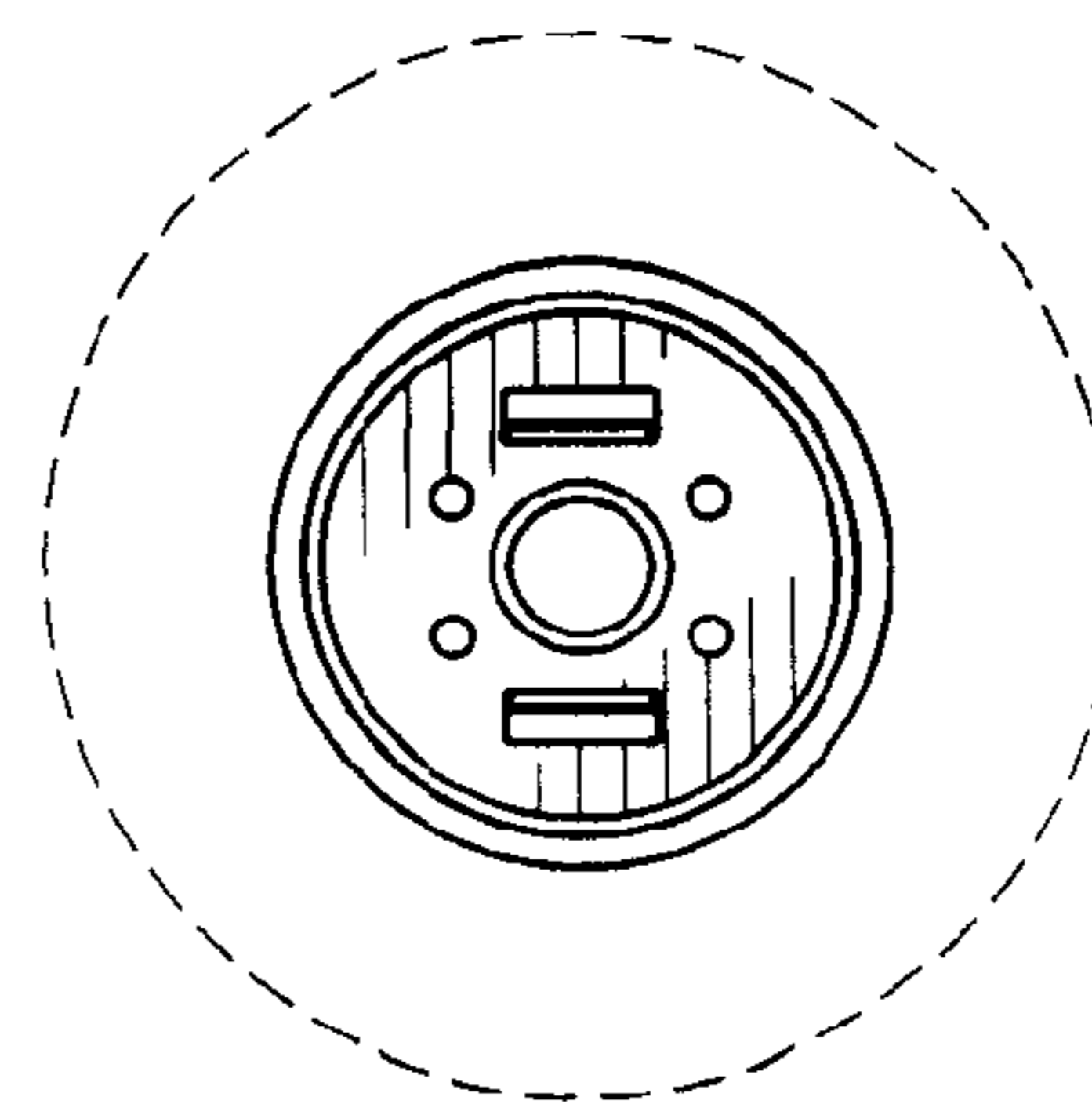


FIG. 12