



US00D739204S

(12) **United States Design Patent**
Arthurs

(10) **Patent No.:** **US D739,204 S**

(45) **Date of Patent:** **** Sep. 22, 2015**

(54) **RELEASE MECHANISM KNOB FOR A WASTE CONTAINER**

(71) Applicant: **The Eastern Company**, Cleveland, OH (US)

(72) Inventor: **Scott Arthurs**, Brunswick, OH (US)

(73) Assignee: **THE EASTERN COMPANY**, Cleveland, OH (US)

(**) Term: **14 Years**

(21) Appl. No.: **29/489,045**

(22) Filed: **Apr. 25, 2014**

(51) **LOC (10) Cl.** **08-06**

(52) **U.S. Cl.**
USPC **D8/311; D8/307**

(58) **Field of Classification Search**
USPC D8/107, 300-309, 321, 343, 346, 347; D23/250-254, 264; 16/110.1, 414, 16/417, 430, 441, 426, DIG. 21, DIG. 40; D21/694
CPC . Y10T 16/476; Y10T 16/466; Y10T 16/4713; Y10T 16/469; Y10T 16/44; Y10T 4/20828; Y10T 279/17982; Y10T 29/49826; Y10T 74/20732; Y10T 74/20864; Y10T 16/4559; Y10T 408/96; Y10T 279/17957; Y10T 16/459; Y10T 407/1825; Y10T 74/2078; Y10T 74/20822; Y10T 29/53; Y10T 29/537; B25G 1/102; B25G 1/00; B25G 1/10; B25G 3/00; Y10S 16/12; Y10S 16/19; Y10S 16/906; Y10S 56/18; B26B 3/00; B26B 5/00; B26B 13/20; B26B 1/10

See application file for complete search history.

(56) **References Cited**

U.S. PATENT DOCUMENTS

D104,215 S * 4/1937 Hawkinson D8/311
D105,254 S * 7/1937 Zinkil D23/250

(Continued)

OTHER PUBLICATIONS

Colorado Great Grips, Inc., "Great Grips Doorknob Covers", retrieved from "www.greatgrips.com/ada/html", retrieved on Apr. 9, 2014.

Primary Examiner — Derrick Holland

Assistant Examiner — Lauren Calve

(74) *Attorney, Agent, or Firm* — Ralph E. Jocke; Walker & Jocke

(57) **CLAIM**

The ornamental design for a release mechanism knob for a waste container, as shown and described.

DESCRIPTION

FIG. 1 is a top, front, right side perspective view of a release mechanism knob for a waste container showing my new design according to a first embodiment.

FIG. 2 is a top, back, left side perspective view thereof.

FIG. 3 is a top view thereof.

FIG. 4 is a front view thereof.

FIG. 5 is a back view thereof.

FIG. 6 is a right side view thereof.

FIG. 7 is a left side view thereof.

FIG. 8 is a bottom view thereof.

FIG. 9 is a bottom, back, right side perspective view thereof.

FIG. 10 is a top, front, right side perspective view of a release mechanism knob for a waste container according to a second embodiment.

FIG. 11 is a top, back, left side perspective view thereof.

FIG. 12 is a top view thereof.

FIG. 13 is a front view thereof.

FIG. 14 is a back view thereof.

FIG. 15 is a right side view thereof.

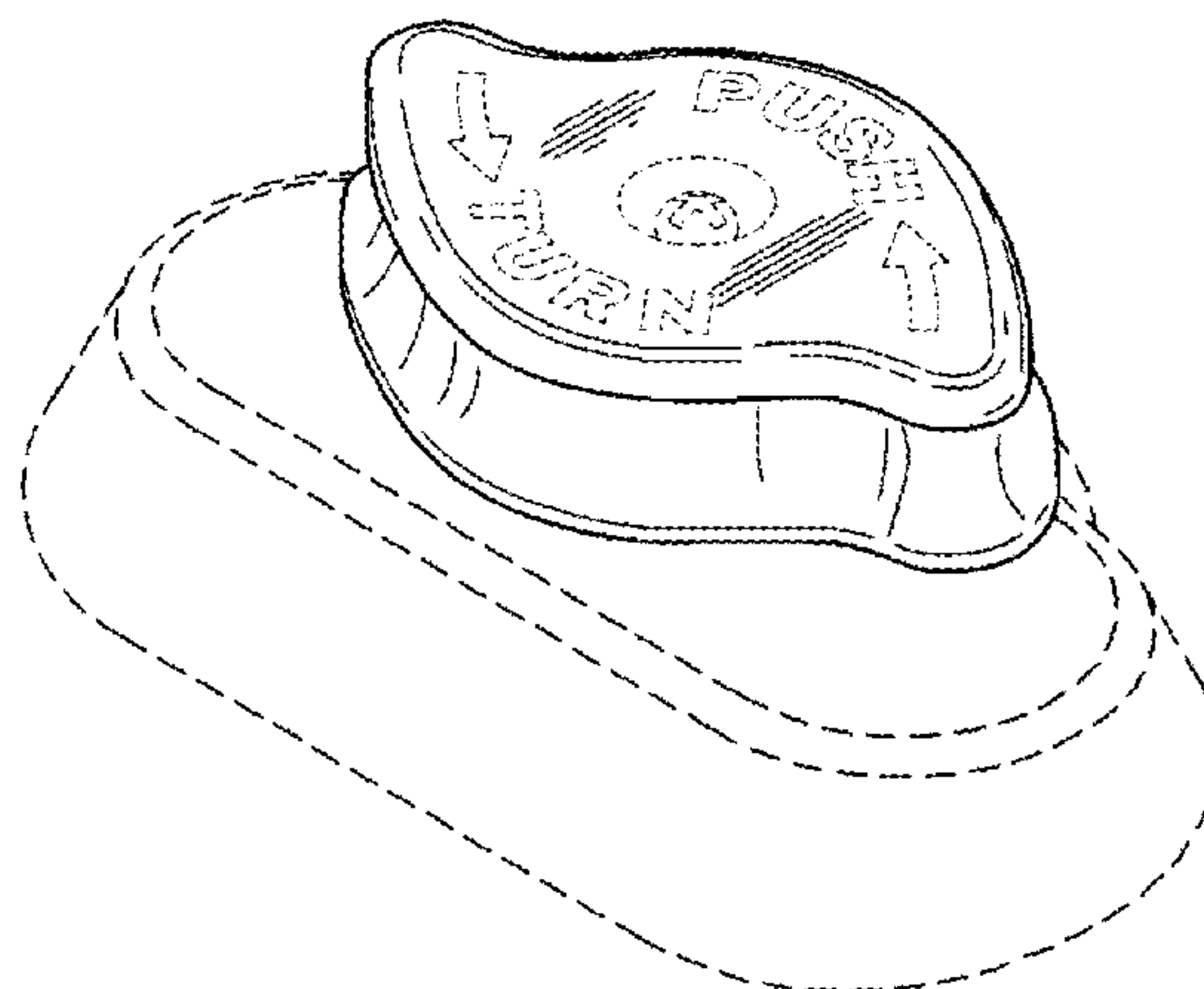
FIG. 16 is a left side view thereof.

FIG. 17 is a bottom view thereof; and,

FIG. 18 is a bottom, back, right side perspective view thereof.

The broken lines shown represent unclaimed subject matter and form no part of the claimed design.

1 Claim, 10 Drawing Sheets



(56)

References Cited

U.S. PATENT DOCUMENTS

D122,726 S *	9/1940	Pellegrin	D8/311	5,926,931 A *	7/1999	Collins	29/240
D165,040 S *	10/1951	Young	D23/252	D432,634 S *	10/2000	Higgins et al.	D23/250
D344,786 S *	3/1994	Short et al.	D23/252	D433,105 S *	10/2000	Mirth et al.	D23/250
D371,501 S *	7/1996	James	D8/307	D468,186 S *	1/2003	Su	D8/307
D372,854 S *	8/1996	Jimenez	D8/343	D485,150 S *	1/2004	Loparo	D8/107
					D620,339 S *	7/2010	Pennington	D8/107
					D646,950 S *	10/2011	Going	D8/307
					2009/0265891 A1 *	10/2009	Pett et al.	16/430

* cited by examiner

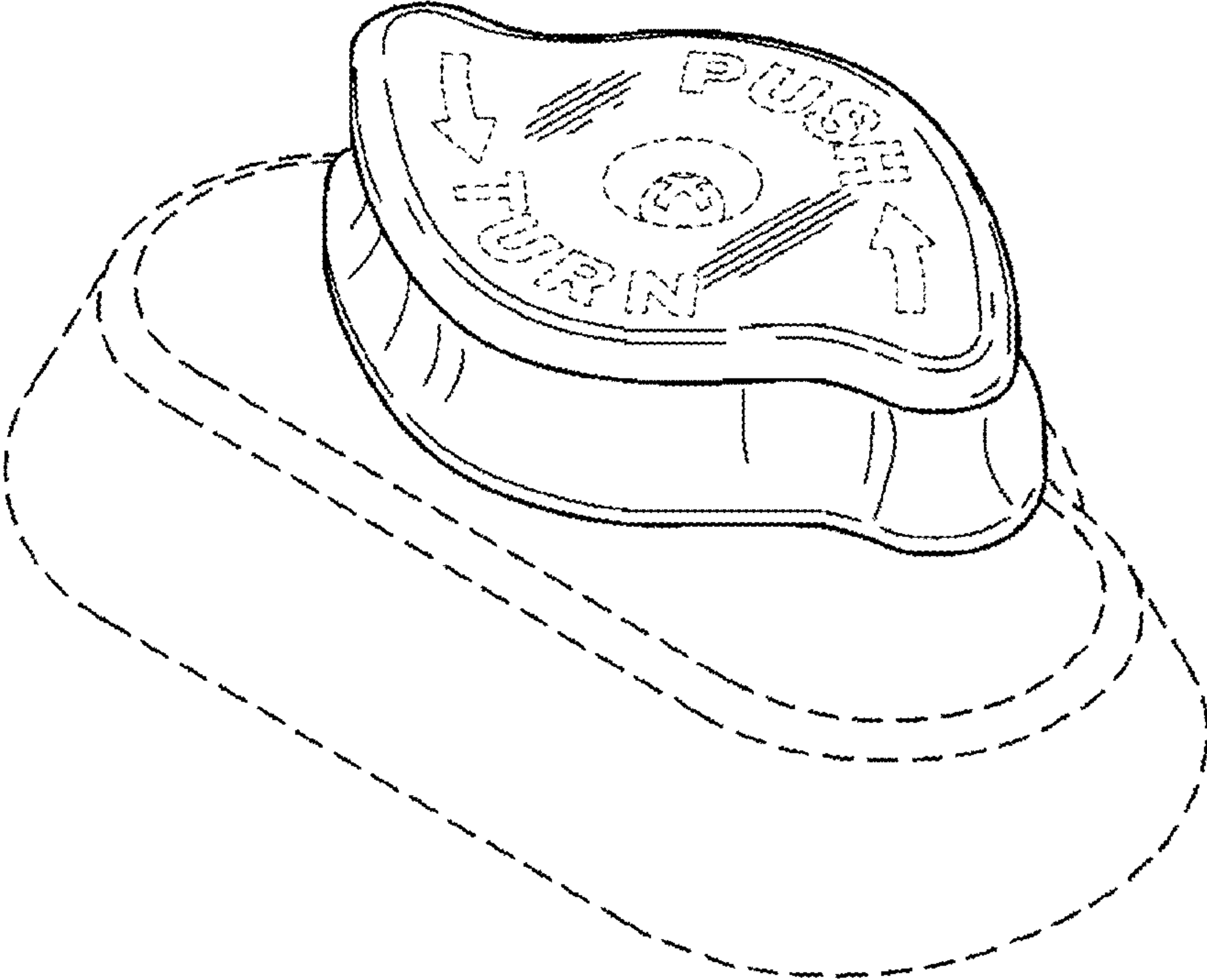


FIG. 1

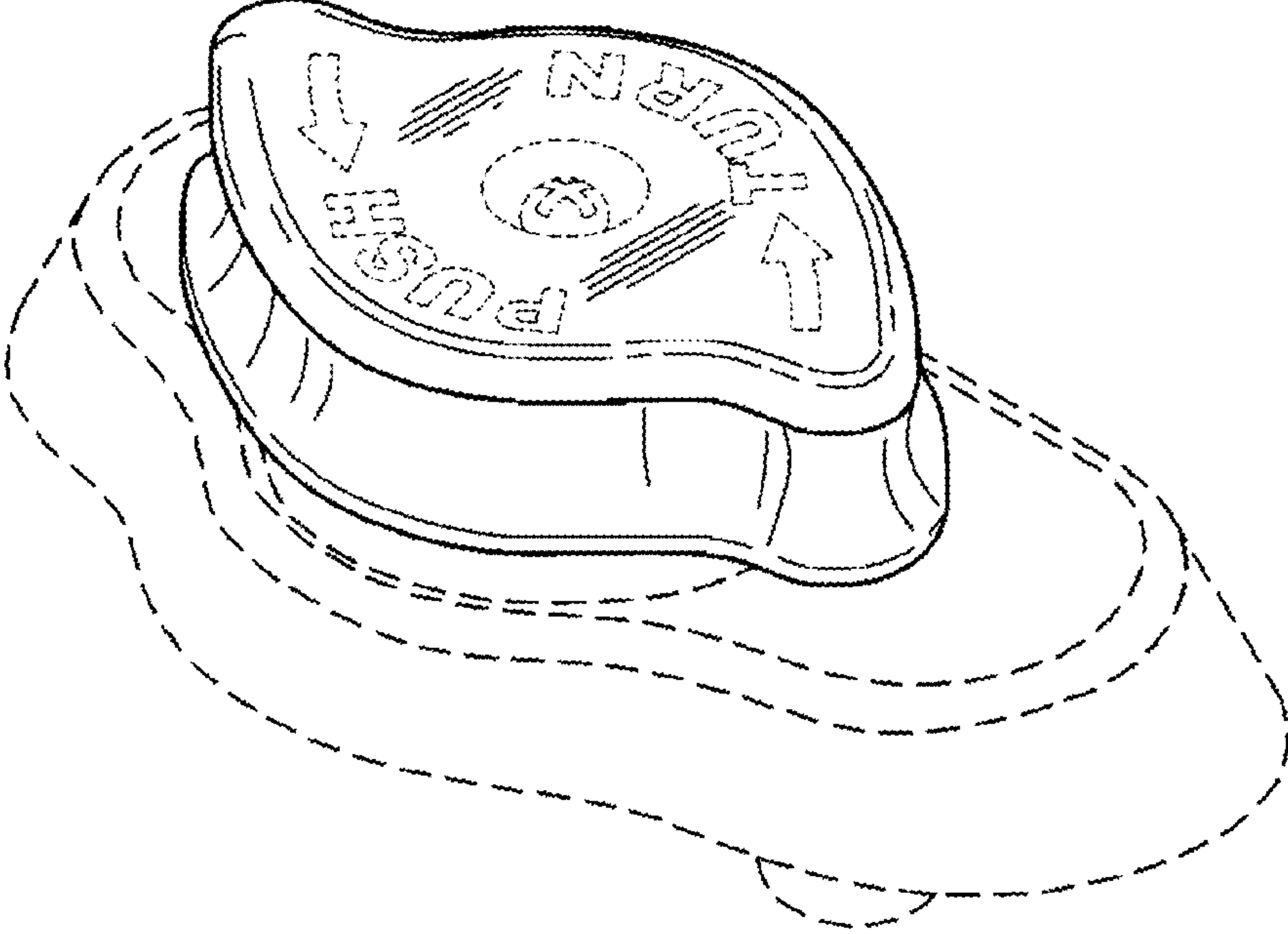


FIG. 2

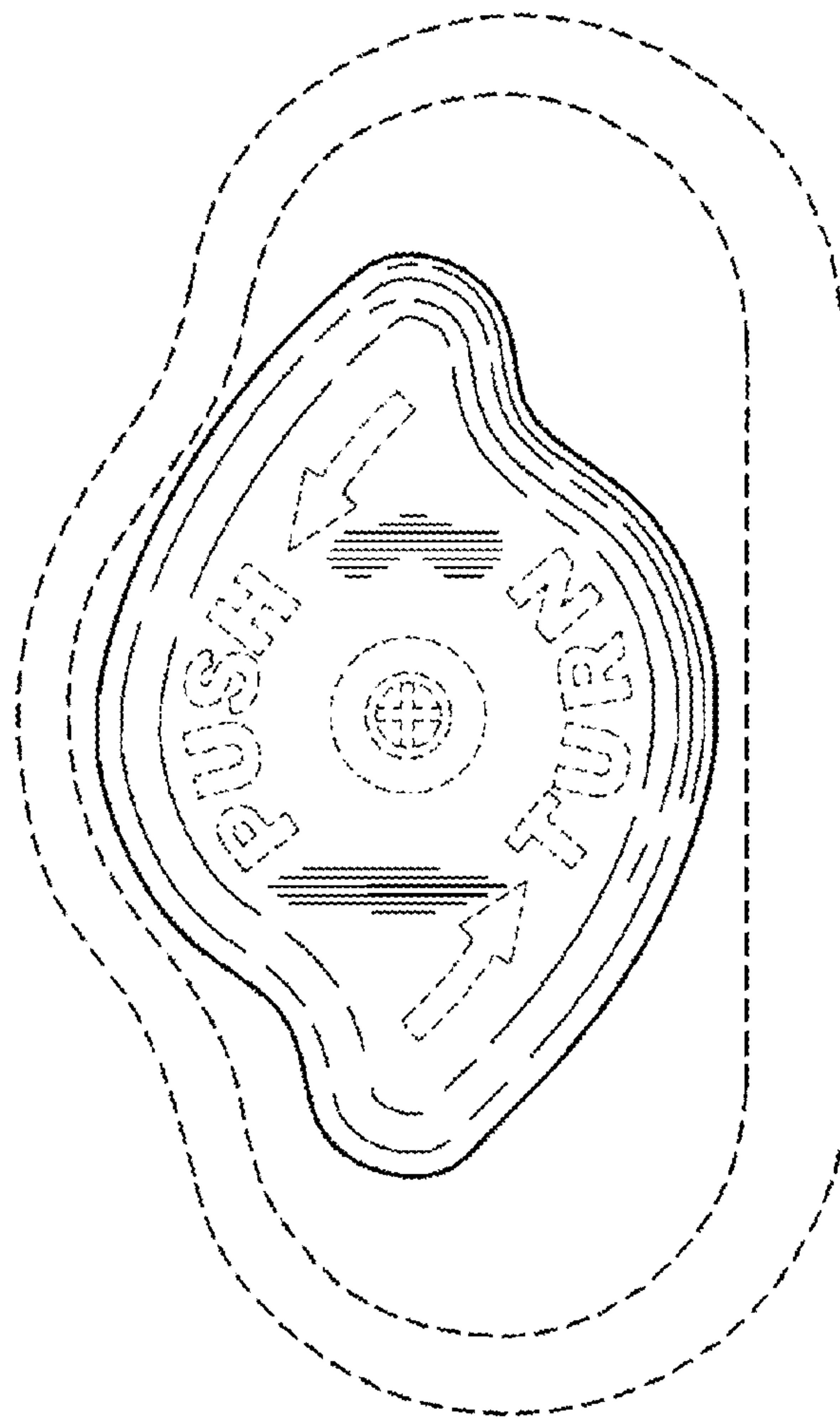


FIG. 3

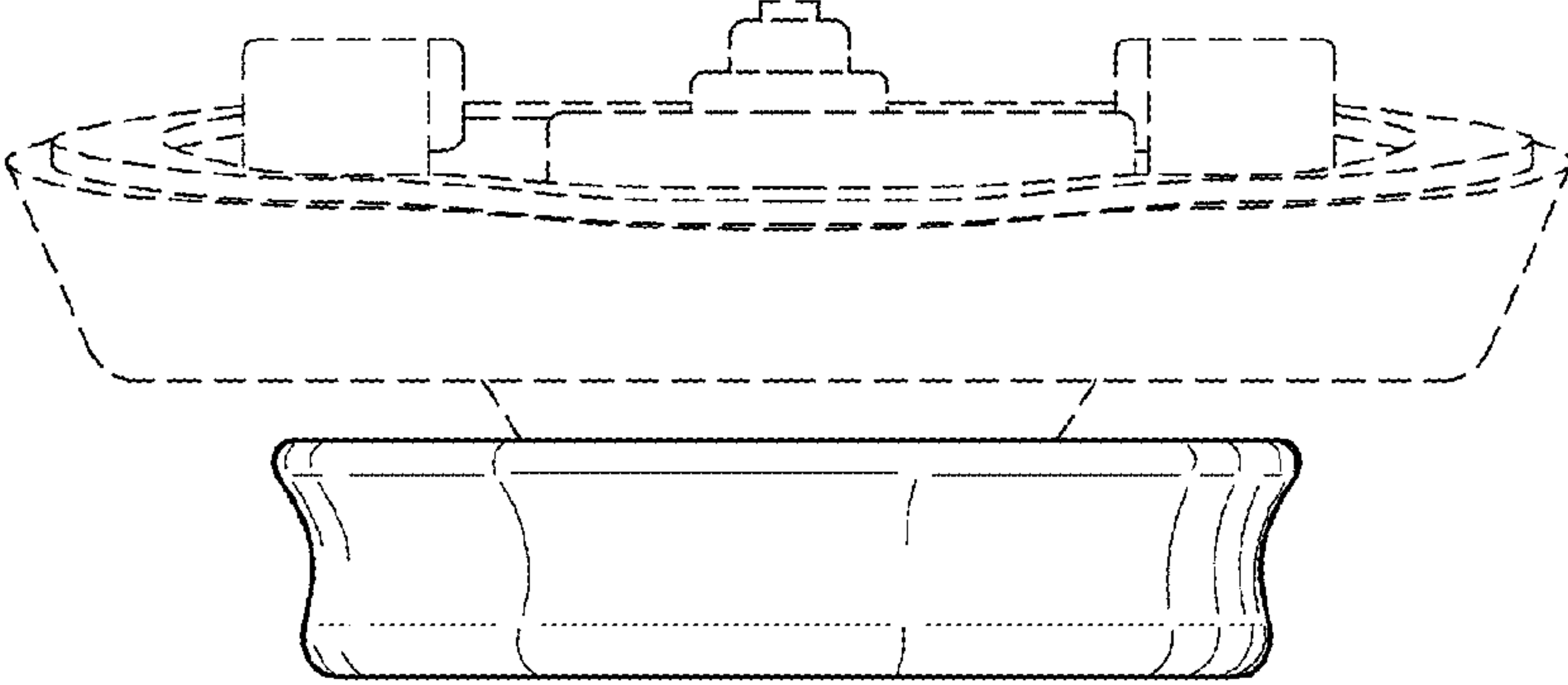


FIG. 5

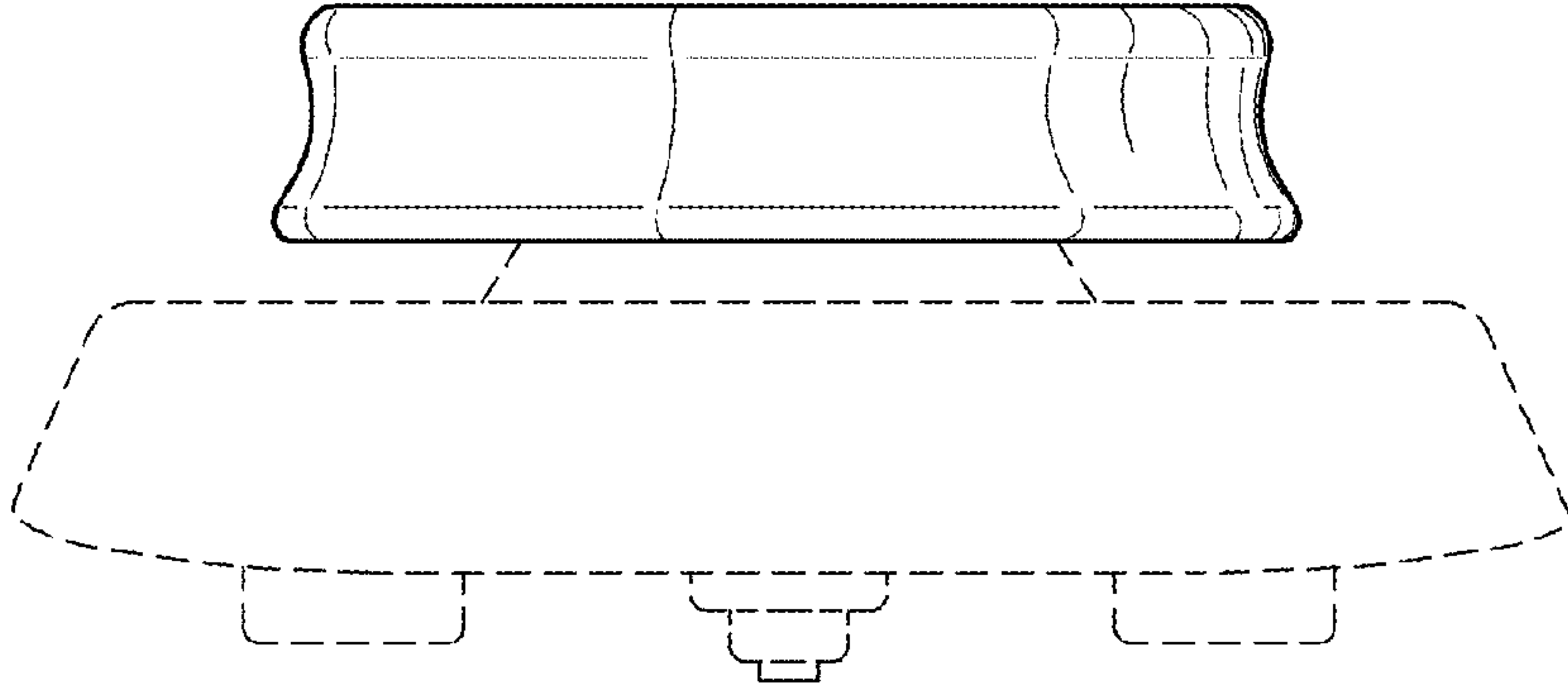


FIG. 4

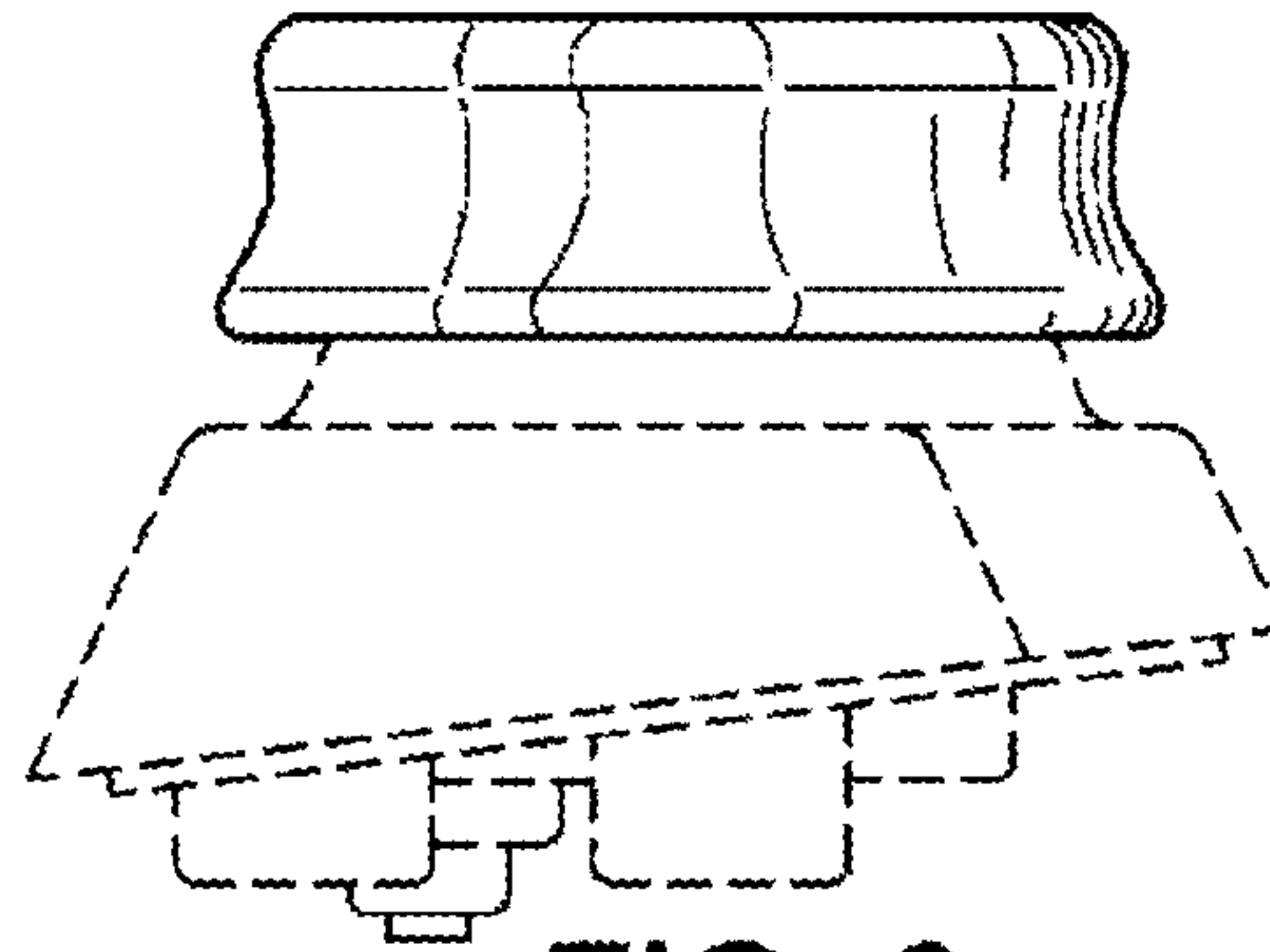


FIG. 6

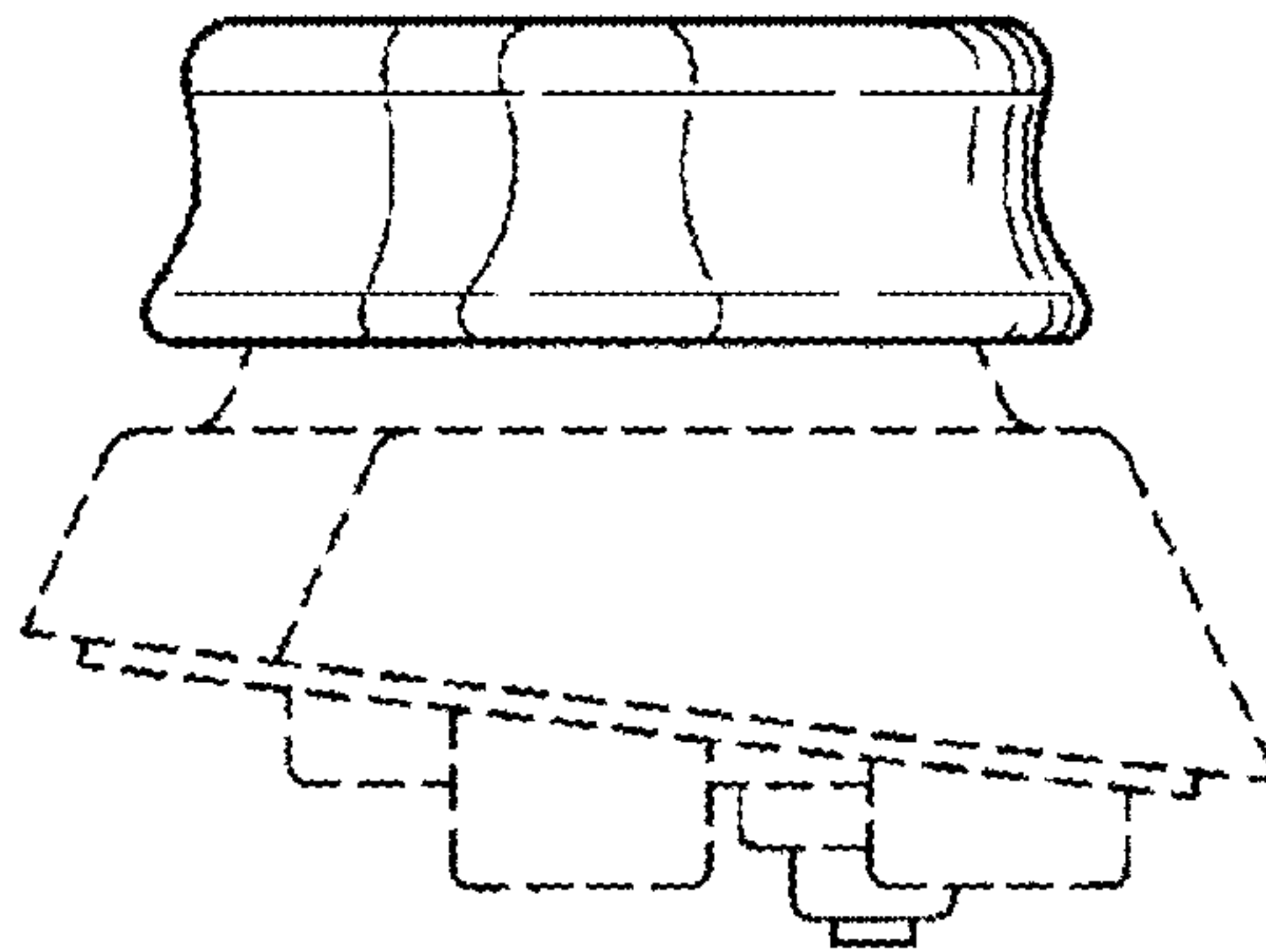


FIG. 7

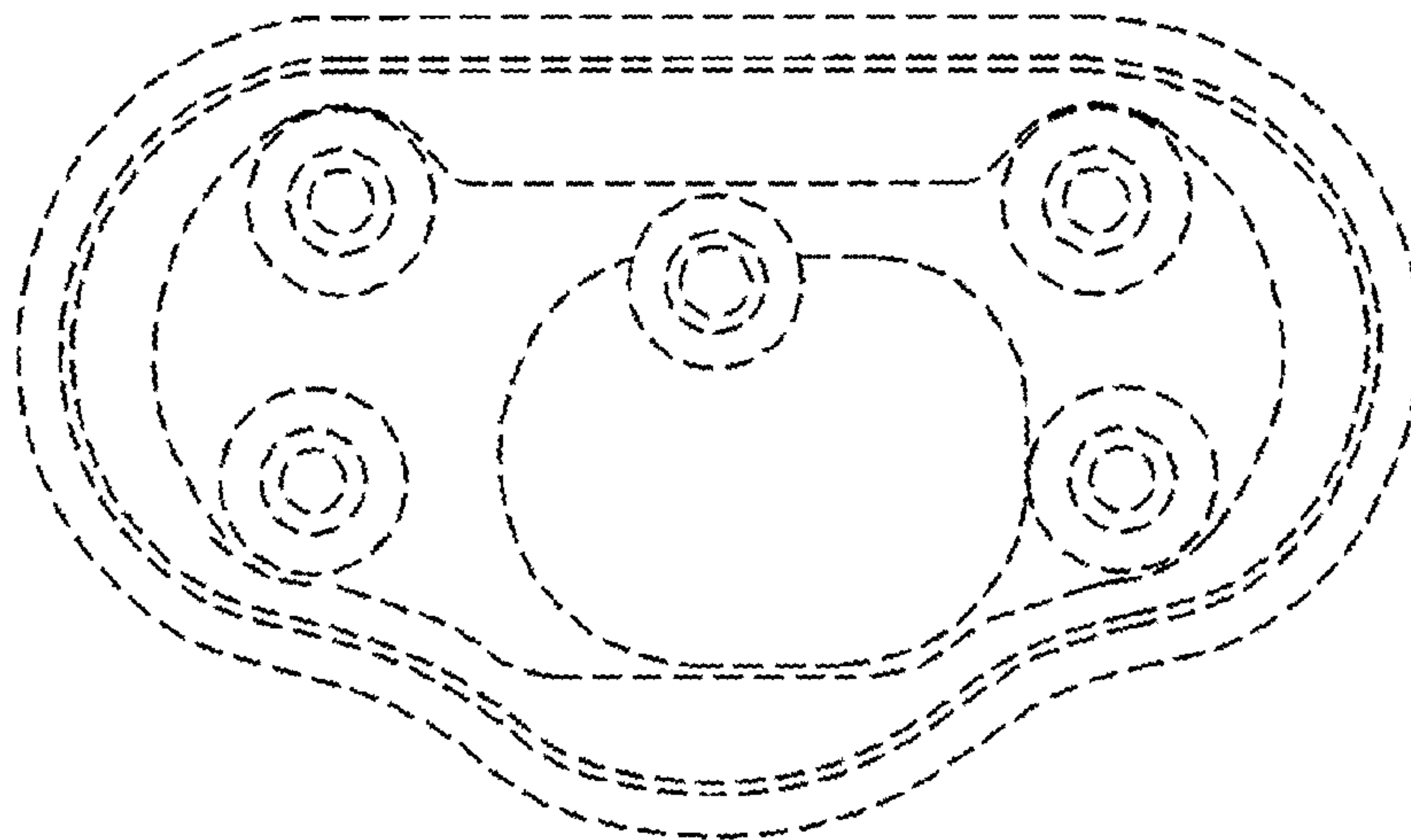


FIG. 8

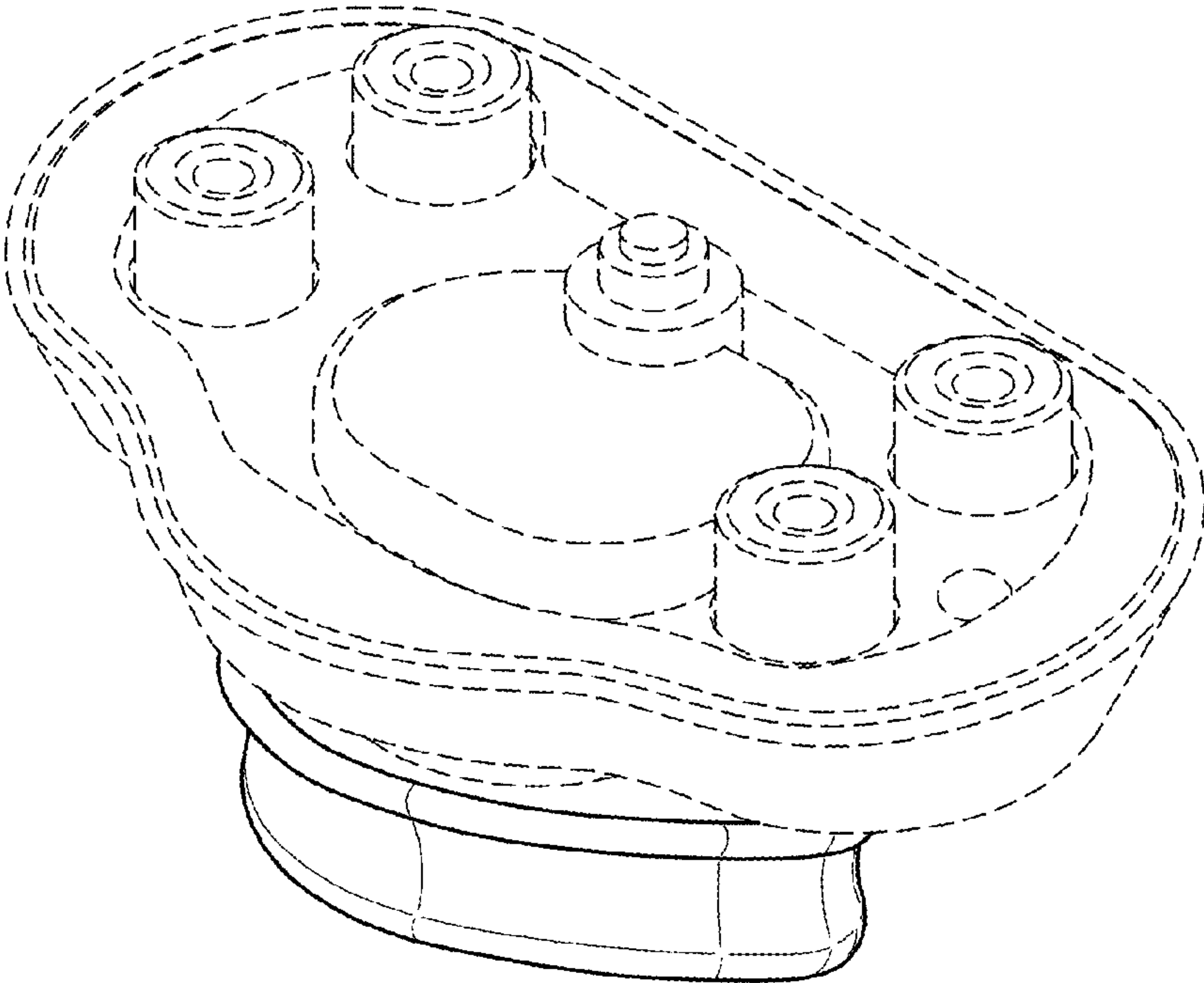


FIG. 9

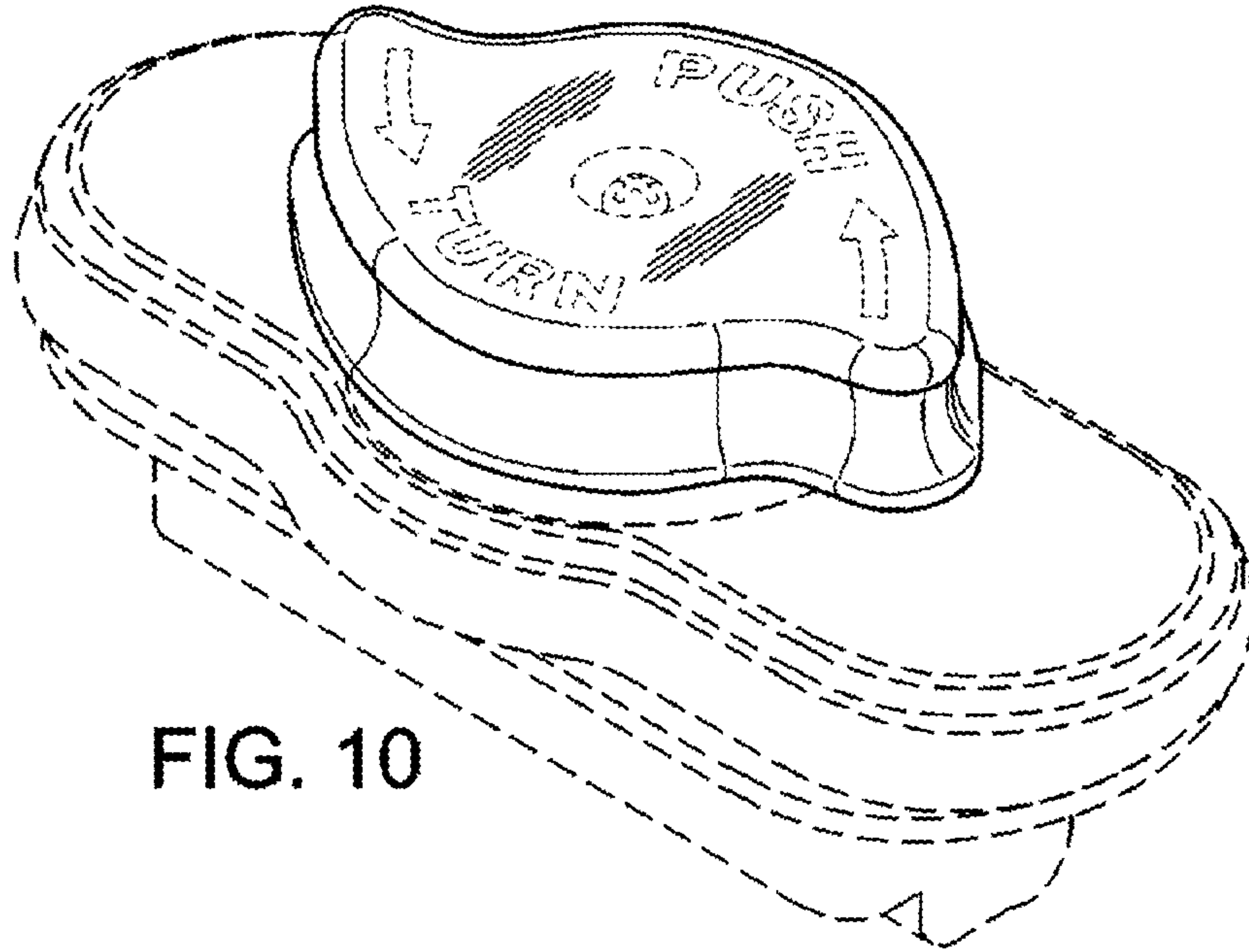


FIG. 10

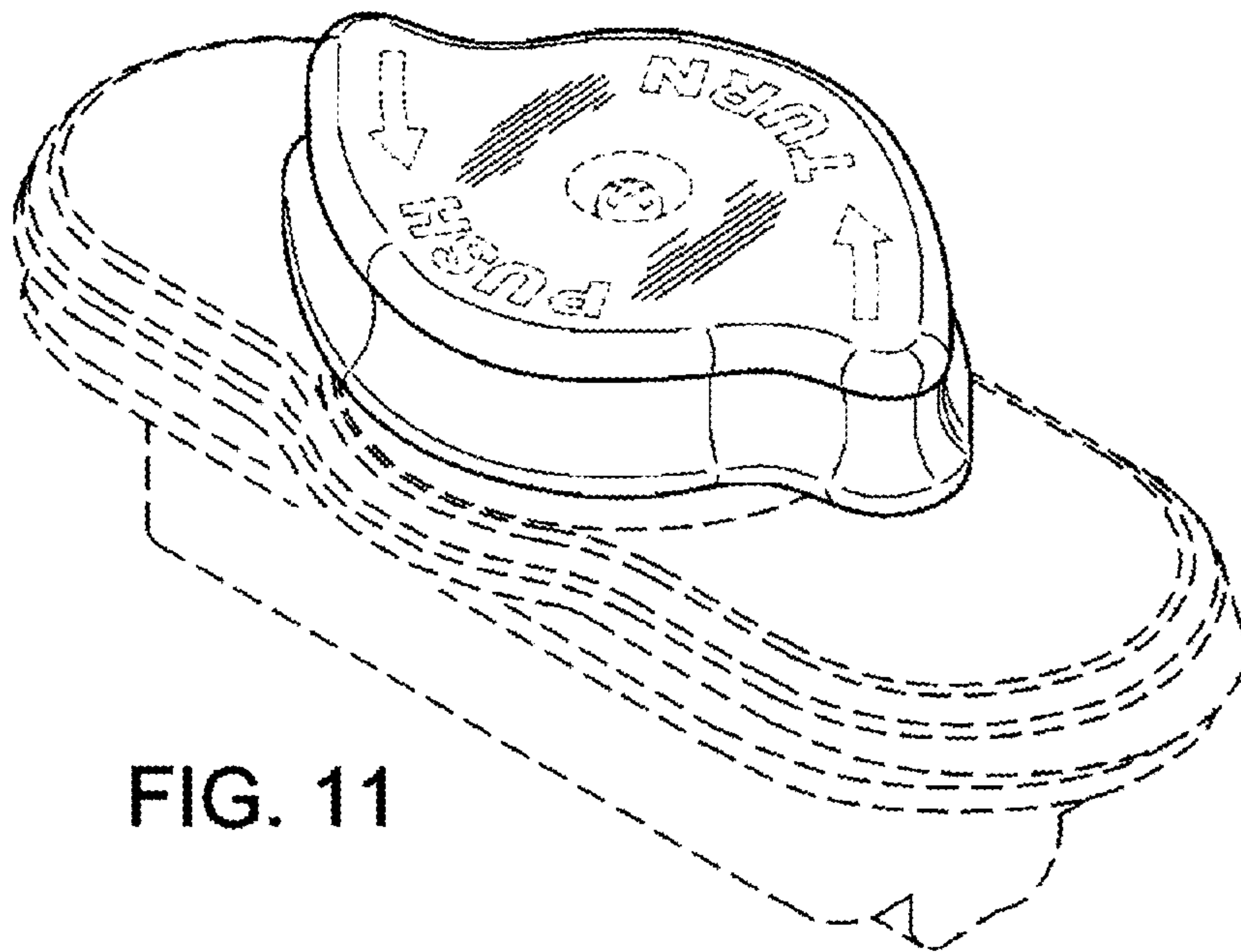


FIG. 11

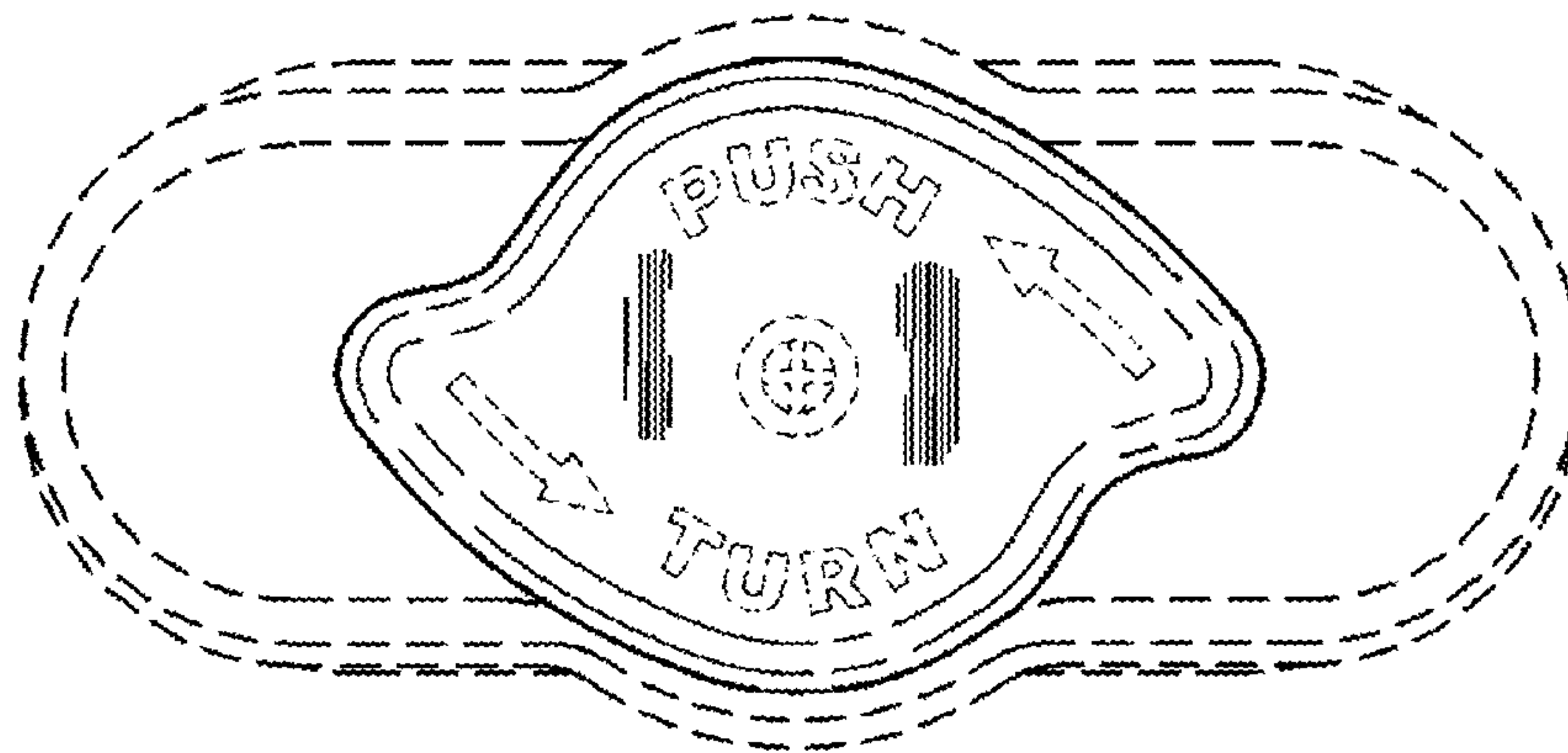


FIG. 12

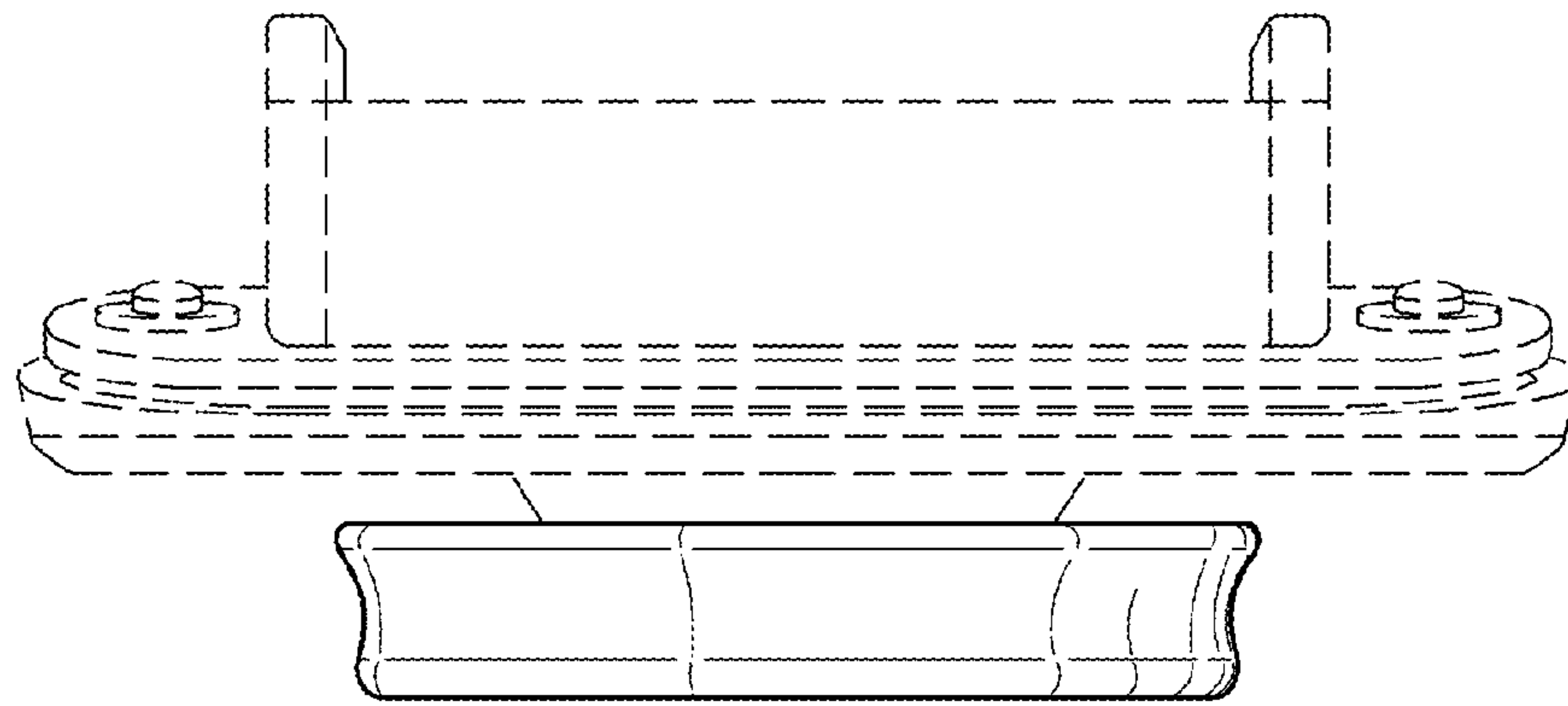


FIG. 14

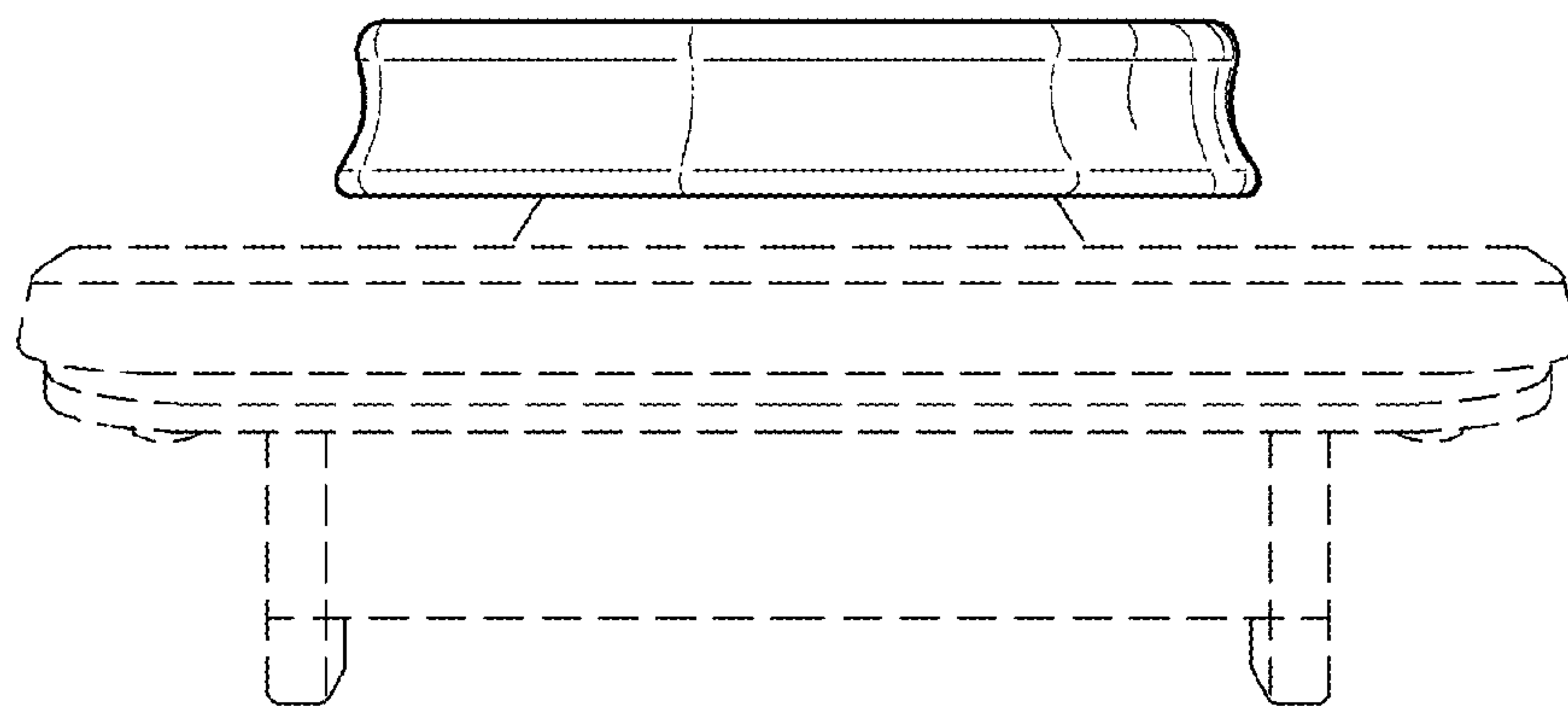


FIG. 13

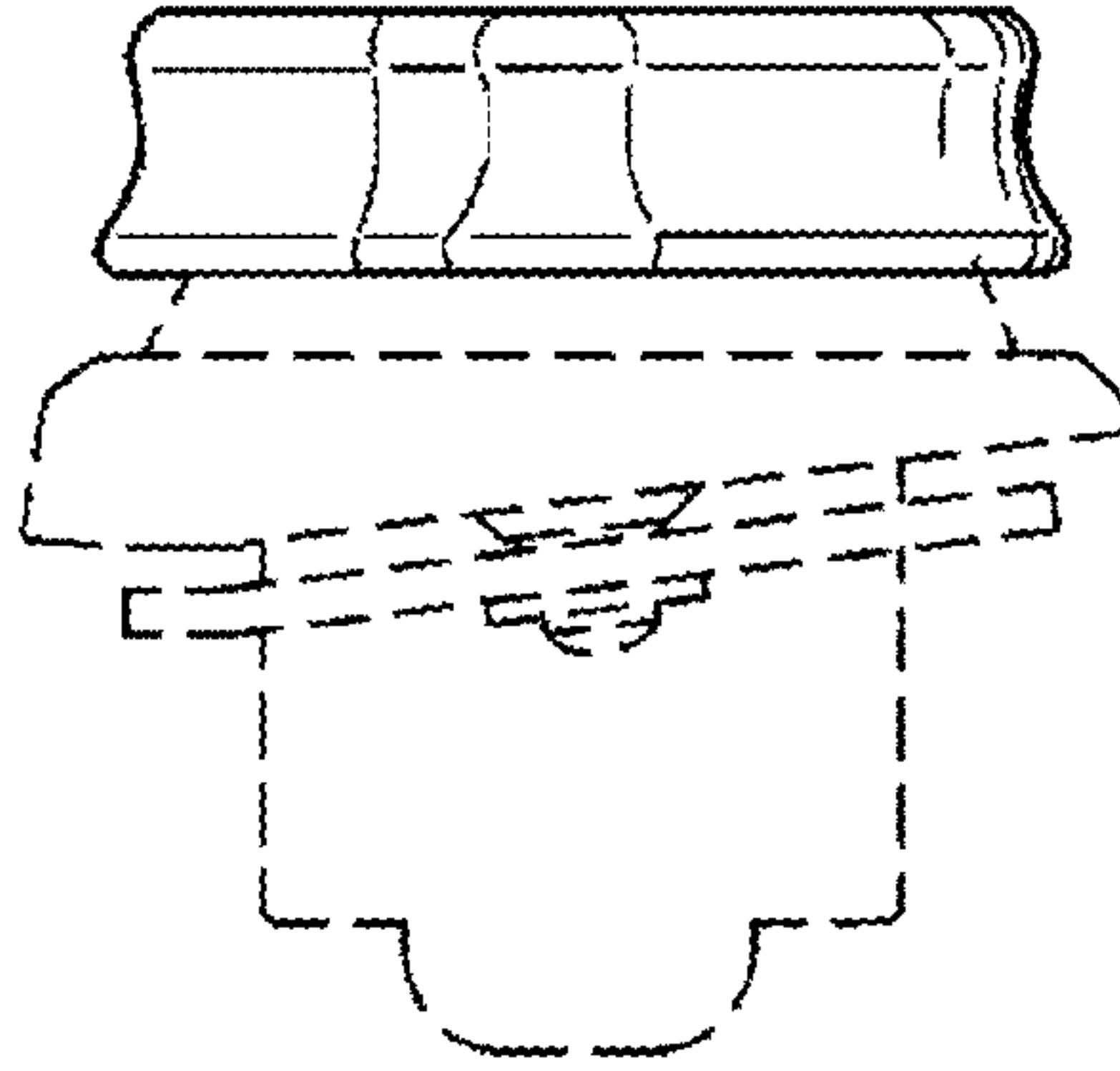


FIG. 15

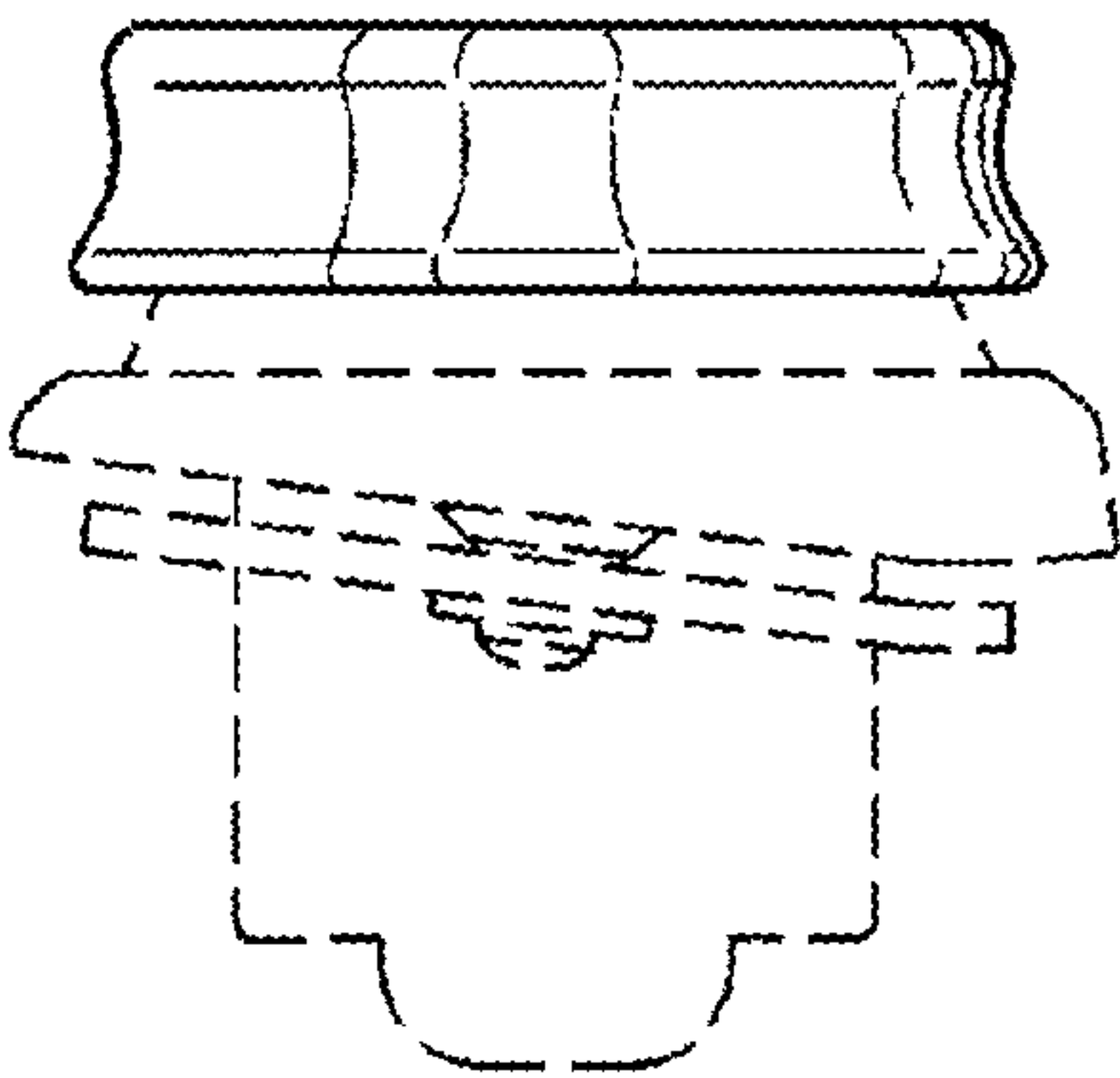


FIG. 16

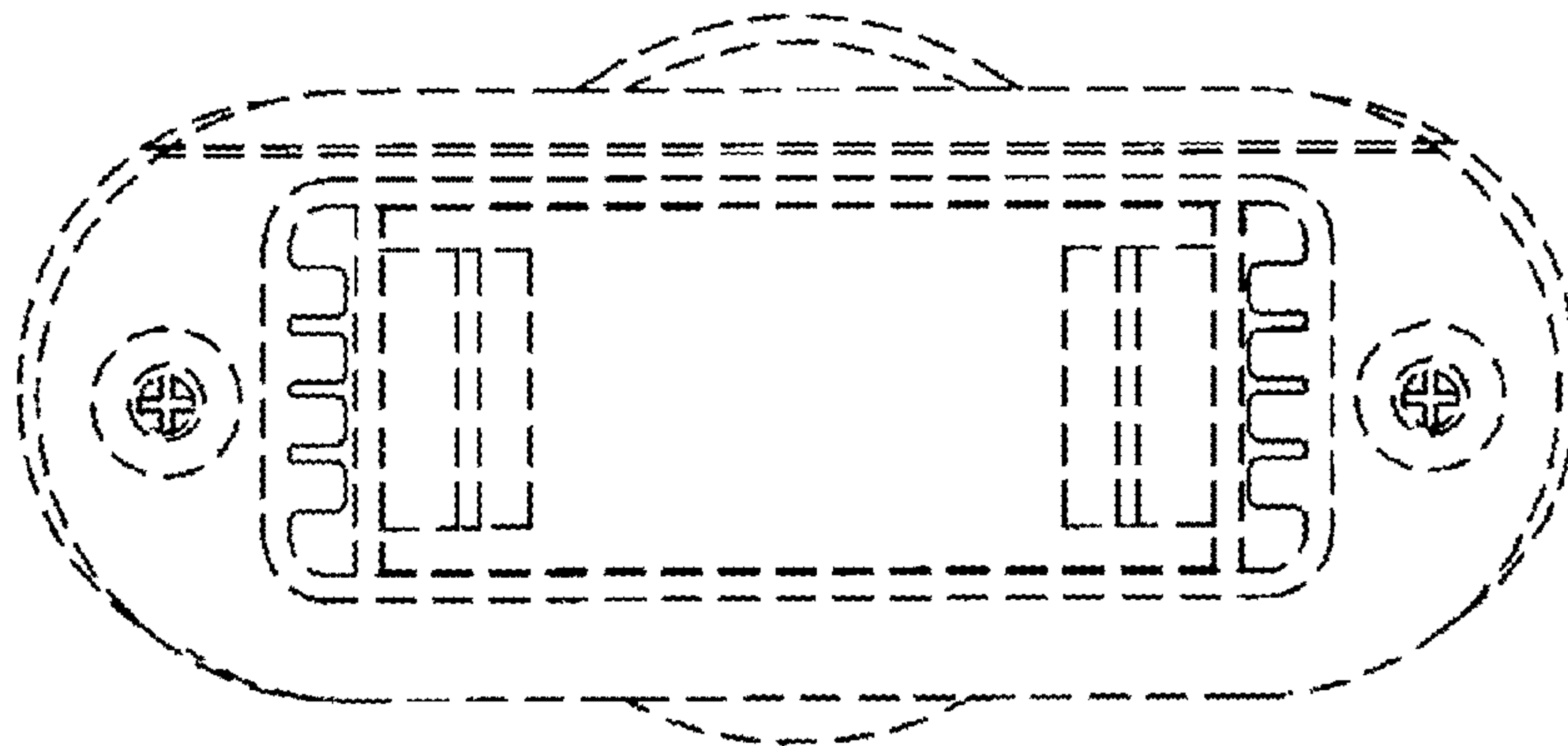


FIG. 17

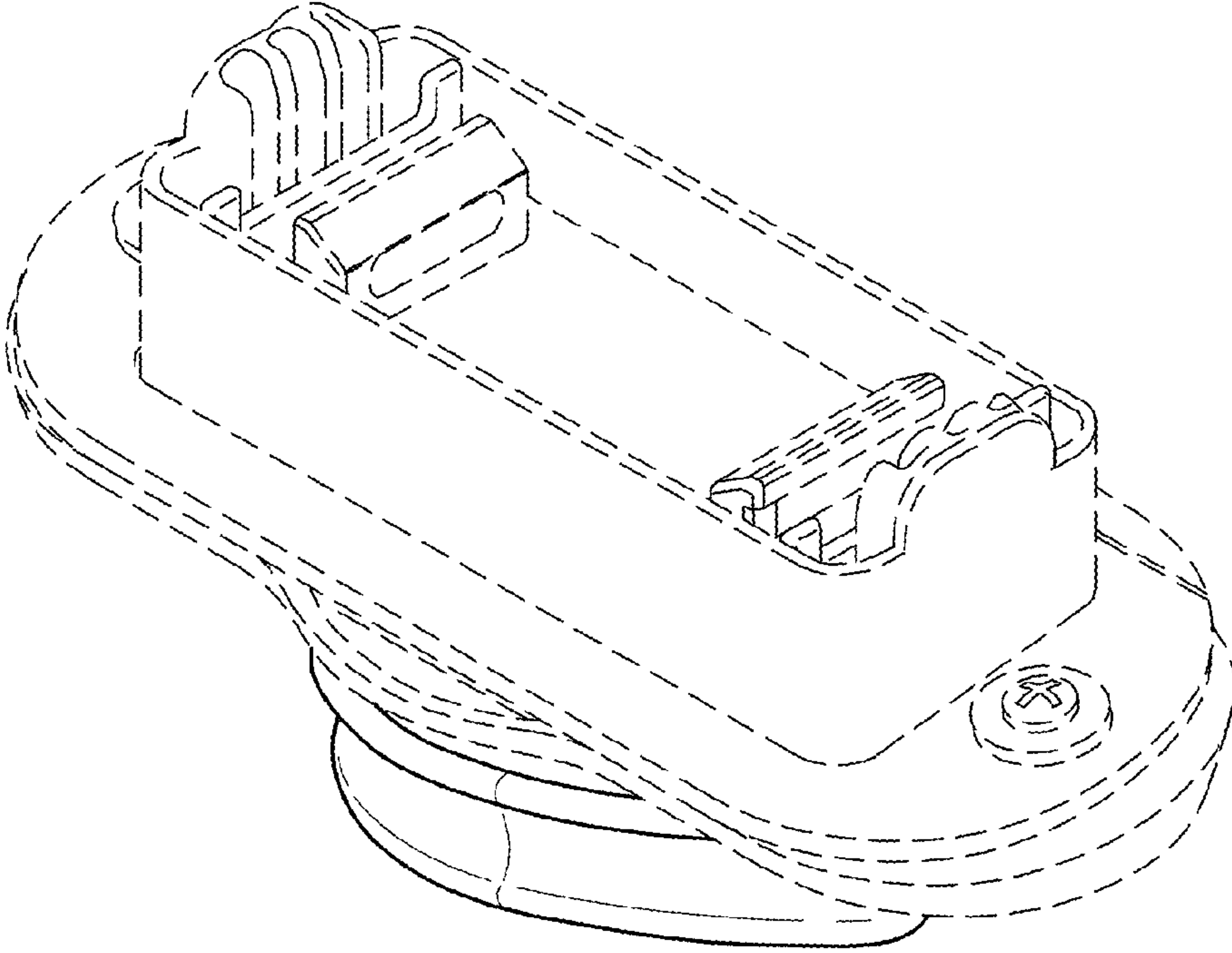


FIG. 18