

US00D739200S

(12) **United States Design Patent**
Elder et al.

(10) **Patent No.:** **US D739,200 S**
(45) **Date of Patent:** **** Sep. 22, 2015**

- (54) **SCREWDRIVER**
- (71) Applicant: **Black & Decker Inc.**, Newark, DE (US)
- (72) Inventors: **Christian V. Elder**, Baltimore, MD (US); **Daniel N. Lopano**, Bel Air, MD (US); **Christopher G. Donze**, Towson, MD (US)
- (73) Assignee: **BLACK & DECKER INC.**, Newark, DE (US)
- (**) Term: **14 Years**
- (21) Appl. No.: **29/517,551**
- (22) Filed: **Feb. 13, 2015**

- 3,019,673 A 2/1962 Sjostrand et al.
- 3,114,423 A 12/1963 Naslund
- 3,203,490 A 8/1965 McCarty et al.
- 3,456,740 A 7/1969 Paule et al.

(Continued)

FOREIGN PATENT DOCUMENTS

- DE 10109956 B4 4/2009
- EP 2258518 A2 12/2010

(Continued)

OTHER PUBLICATIONS

Deutsch, Stuart. "New Dewalt 20V Brushless Drywall Screwgun." Tool Guyd., Jul. 18, 2014 [online], [retrieved on Oct. 15, 2014]. Retrieved from the Internet <URL: <http://toolguyd.com/dewalt-20v-brushless-drywall-screwgun/>>.*

(Continued)

Related U.S. Application Data

- (62) Division of application No. 29/471,134, filed on Oct. 29, 2013, now Pat. No. Des. 725,981.
- (51) **LOC (10) Cl.** **08-03**
- (52) **U.S. Cl.**
USPC **D8/68**
- (58) **Field of Classification Search**
USPC D8/61, 67, 68; 81/57.4, 489; 173/48, 173/109, 170, 178, 217; 408/124, 125; 362/119; 475/149
CPC B62D 23/005; B62D 29/00; B62D 29/043; B62D 31/00; B62D 33/046; B62D 35/00; B62D 35/001; B60Q 1/0005
See application file for complete search history.

Primary Examiner — Philip S Hyder
Assistant Examiner — Darlington Ly
(74) *Attorney, Agent, or Firm* — Scott B. Markow

(57) **CLAIM**

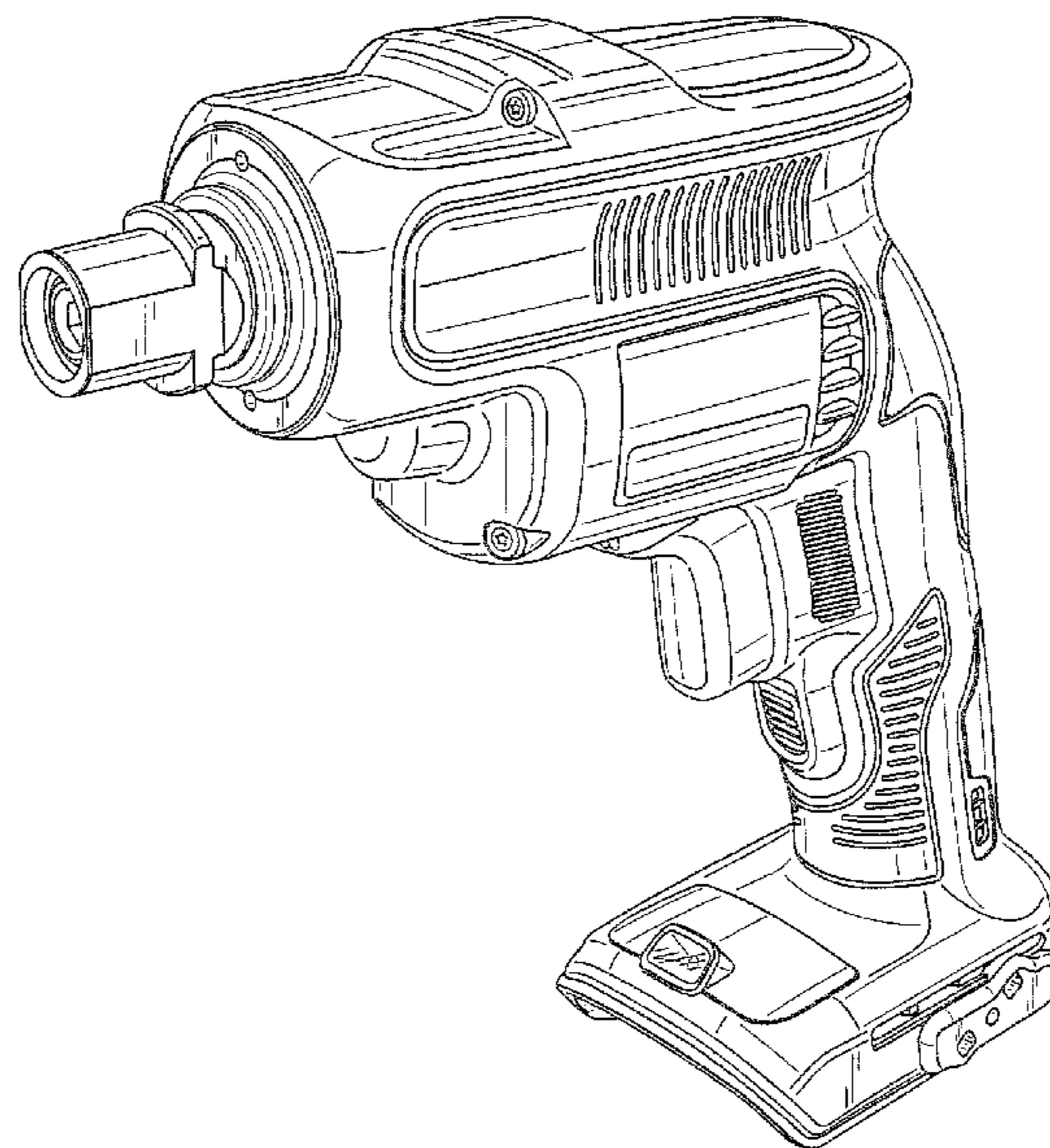
The ornamental design for a screwdriver, as shown and described.

DESCRIPTION

FIG. 1 is a perspective view of a screwdriver; FIG. 2 is a front view of the screwdriver of FIG. 1; FIG. 3 is a rear view of the screwdriver of FIG. 1; FIG. 4 is a right view of the screwdriver of FIG. 1; FIG. 5 is a left view of the screwdriver of FIG. 1; FIG. 6 is a top view of the screwdriver of FIG. 1; and, FIG. 7 is a bottom view of the screwdriver of FIG. 1. The broken lines illustrate portions of the screwdriver that form no part of the claimed design.

- (56) **References Cited**
U.S. PATENT DOCUMENTS
2,320,067 A 5/1943 Caughren
2,456,571 A 12/1948 Turner et al.

1 Claim, 6 Drawing Sheets



(56)

References Cited

U.S. PATENT DOCUMENTS

3,517,755 A 6/1970 Badcock
 3,521,895 A 7/1970 Smith
 3,712,352 A 1/1973 Lafferty, Sr.
 3,809,349 A 5/1974 Baedke
 3,851,562 A 12/1974 Tomita et al.
 3,963,156 A 6/1976 Perrin
 4,436,125 A 3/1984 Blenkush
 4,628,586 A 12/1986 Yoshimi et al.
 4,752,088 A 6/1988 Stahl et al.
 4,974,764 A 12/1990 Cantwell
 5,052,497 A 10/1991 Houben et al.
 5,090,747 A 2/1992 Kotake
 5,113,951 A 5/1992 Houben et al.
 D337,038 S * 7/1993 Sakamoto et al. D8/68
 D345,090 S * 3/1994 Okumura D8/68
 5,342,155 A 8/1994 Harroun
 5,372,206 A 12/1994 Sasaki et al.
 5,447,343 A 9/1995 Gajewski et al.
 5,452,830 A 9/1995 Hopkins et al.
 5,464,229 A 11/1995 Salpaka
 5,482,413 A 1/1996 Argaud
 5,639,194 A 6/1997 Harroun
 D399,055 S 10/1998 Coady
 D402,872 S * 12/1998 Clowers et al. D8/68
 D406,740 S * 3/1999 Zurwelle D8/68
 5,951,026 A 9/1999 Harman, Jr. et al.
 6,047,971 A 4/2000 Harman, Jr. et al.
 6,079,716 A 6/2000 Harman, Jr. et al.
 6,127,751 A 10/2000 Kristen et al.
 6,142,537 A 11/2000 Shimada et al.
 6,199,383 B1 3/2001 Pusateri
 6,293,559 B1 9/2001 Harman, Jr. et al.
 6,325,157 B1 12/2001 Arakawa et al.
 6,354,635 B1 3/2002 Dyson et al.
 6,455,186 B1 9/2002 Moores, Jr. et al.
 D467,481 S * 12/2002 Watson D8/68
 D470,028 S * 2/2003 Cooper D8/68
 6,543,549 B1 4/2003 Riedl et al.
 6,551,037 B2 4/2003 Gifford et al.
 6,641,011 B1 11/2003 Kahn
 6,645,666 B1 11/2003 Moores, Jr. et al.
 6,648,192 B1 11/2003 Chong
 6,679,406 B2 1/2004 Sakai et al.
 6,688,611 B2 2/2004 Gifford et al.
 6,776,245 B2 8/2004 Kristen et al.
 6,866,105 B2 3/2005 Pfisterer et al.
 6,905,052 B2 6/2005 Sakai et al.
 6,949,309 B2 9/2005 Moores, Jr. et al.
 6,962,523 B2 11/2005 Fraser et al.
 D517,323 S 3/2006 Raimondo et al.
 7,014,945 B2 3/2006 Moores, Jr. et al.
 D519,808 S 5/2006 Otsuka et al.
 7,066,678 B2 6/2006 Huang
 7,140,451 B2 11/2006 Yoshimizu et al.
 D534,405 S * 1/2007 Concari D8/68
 7,157,882 B2 1/2007 Johnson et al.
 7,157,883 B2 1/2007 Johnson et al.
 7,164,257 B2 1/2007 Johnson et al.
 7,237,457 B2 7/2007 Hsu
 D550,052 S 9/2007 Lee
 7,306,052 B2 12/2007 Vahabi-Nejad et al.
 7,308,950 B2 12/2007 Faatz et al.
 7,331,408 B2 2/2008 Arich et al.
 7,342,381 B2 3/2008 Johnson et al.
 7,344,054 B2 3/2008 Sakai et al.
 7,490,746 B2 2/2009 Sakai et al.
 7,492,124 B2 2/2009 Johnson et al.
 7,498,526 B2 3/2009 Lohr et al.
 7,500,811 B2 3/2009 Pfob
 7,504,804 B2 3/2009 Johnson et al.
 7,594,354 B1 9/2009 Chadwick
 D605,488 S 12/2009 Aglassinger
 D605,489 S 12/2009 Aglassinger
 7,667,437 B2 2/2010 Johnson et al.
 7,677,752 B2 3/2010 Tadokoro et al.

7,705,497 B2 4/2010 Arich et al.
 7,736,792 B2 6/2010 Moores, Jr. et al.
 7,757,704 B2 7/2010 Lien
 7,758,274 B2 7/2010 Paul
 7,786,627 B2 8/2010 Riedl
 7,791,318 B2 9/2010 Johnson et al.
 7,793,572 B2 9/2010 Hirt et al.
 7,802,706 B1 9/2010 Selsor
 7,810,414 B2 10/2010 Hsu
 7,823,483 B2 11/2010 Yamada
 7,874,232 B2 1/2011 Gauthreaux et al.
 7,944,181 B2 5/2011 Johnson et al.
 7,952,326 B2 5/2011 Johnson et al.
 7,988,538 B2 8/2011 Trautner et al.
 D647,774 S * 11/2011 Okuda et al. D8/68
 D647,775 S * 11/2011 Toszegi D8/68
 8,067,860 B2 11/2011 Hoffmann et al.
 8,113,297 B2 2/2012 Sakakibara et al.
 8,113,922 B2 2/2012 Esenwein
 8,220,367 B2 7/2012 Hsu
 8,261,853 B2 * 9/2012 Hachisuka 173/170
 D670,989 S 11/2012 Kawase et al.
 D672,627 S 12/2012 Kawase et al.
 8,328,475 B2 12/2012 Naughton et al.
 8,333,252 B2 12/2012 Britz et al.
 8,348,727 B2 1/2013 Trautner et al.
 8,354,183 B2 1/2013 Konuma et al.
 8,360,439 B2 1/2013 Hirt et al.
 D675,500 S 2/2013 Taniguchi et al.
 D677,137 S 3/2013 Kawase et al.
 D678,744 S 3/2013 Aoki et al.
 D679,160 S 4/2013 Okuda et al.
 D679,161 S 4/2013 Kawase et al.
 8,418,778 B2 4/2013 Eshleman et al.
 8,430,182 B2 4/2013 Soika et al.
 8,443,913 B2 5/2013 Nagasaka et al.
 8,499,850 B2 8/2013 Hofbrucker et al.
 8,500,173 B2 8/2013 Zahler et al.
 8,714,282 B2 * 5/2014 Chen et al. 173/217
 2001/0050297 A1 12/2001 Zahorski
 2002/0122707 A1 9/2002 Sakai et al.
 2003/0168483 A1 9/2003 Mabe
 2004/0011544 A1 * 1/2004 Cooper et al. 173/217
 2004/0074938 A1 4/2004 Sakai et al.
 2004/0178240 A1 9/2004 Bauer
 2004/0188119 A1 9/2004 Chen
 2005/0057042 A1 3/2005 Wicks
 2005/0092792 A1 5/2005 Sakai et al.
 2005/0230134 A1 10/2005 Wu
 2005/0279517 A1 12/2005 Hoffman et al.
 2006/0011367 A1 * 1/2006 Teng et al. 173/217
 2006/0011681 A1 1/2006 Raimondo et al.
 2006/0088393 A1 4/2006 Cooper
 2007/0102462 A1 5/2007 Sakai et al.
 2008/0187822 A1 8/2008 Breitenbach
 2011/0139479 A1 6/2011 Nagasaka et al.
 2011/0180286 A1 7/2011 Oomori et al.
 2011/0204621 A1 8/2011 Whitaker et al.
 2011/0209888 A1 9/2011 Elsworthy
 2011/0297409 A1 12/2011 Chen et al.
 2011/0303718 A1 12/2011 Spasov et al.
 2012/0043102 A1 2/2012 Okuda
 2012/0061117 A1 3/2012 Nagasaka et al.
 2012/0073847 A1 3/2012 Nagasaka et al.
 2012/0080963 A1 4/2012 Yoshikawa
 2012/0085560 A1 4/2012 Kuroyanagi et al.
 2012/0090863 A1 4/2012 Puzio et al.
 2012/0160530 A1 6/2012 Ikuta et al.
 2012/0169256 A1 7/2012 Suda et al.
 2012/0199372 A1 8/2012 Nishikawa et al.
 2012/0292865 A1 11/2012 Sugimoto et al.
 2012/0318549 A1 12/2012 Nagasaka et al.
 2013/0000934 A1 1/2013 Tadokoro et al.
 2013/0105188 A1 5/2013 Sakamaki et al.

FOREIGN PATENT DOCUMENTS

EP 2363246 A2 9/2011
 EP 2444202 A2 4/2012

(56)

References Cited

FOREIGN PATENT DOCUMENTS

EP	2489473	A2	8/2012
EP	2402123	B1	5/2013
JP	09011158	A	1/1997
JP	2004255503	A	9/2004
JP	2006255837	A	9/2006
JP	2007276108	A	10/2007
JP	2008044024	A	2/2008
JP	2008062337	A	3/2008
JP	2009078322	A	4/2009
JP	2009083058	A	4/2009
JP	2010036260	A	2/2010
JP	2010201512	A	9/2010

JP	2011235372	A	11/2011
JP	2012040659	A	3/2012
JP	2012196737	A	10/2012
JP	2013006253	A	1/2013
WO	2011052260	A1	5/2011

OTHER PUBLICATIONS

Forte, Ian. "DeWalt Studio Fall 2011: Final Model—DeWalt ErgoTech Cordless Drywall Screwgun." Coroflot., Oct. 16, 2011 [online], [retrieved on Oct. 15, 2014]. Retrieved from the Internet <URL: <http://www.coroflot.com/ianforte/dewalt-studio-fall-2011>>.

*

* cited by examiner

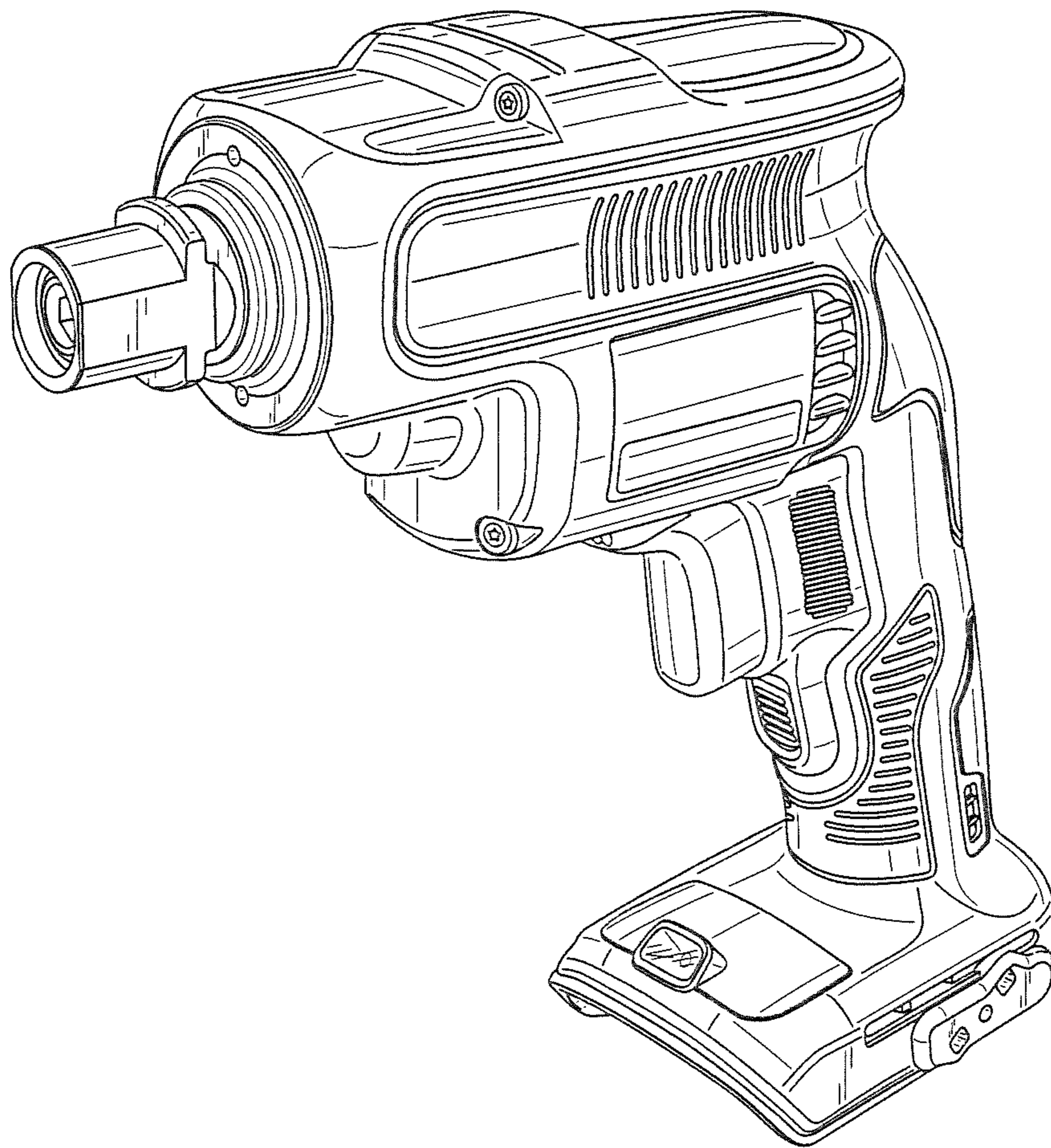


FIG. 1

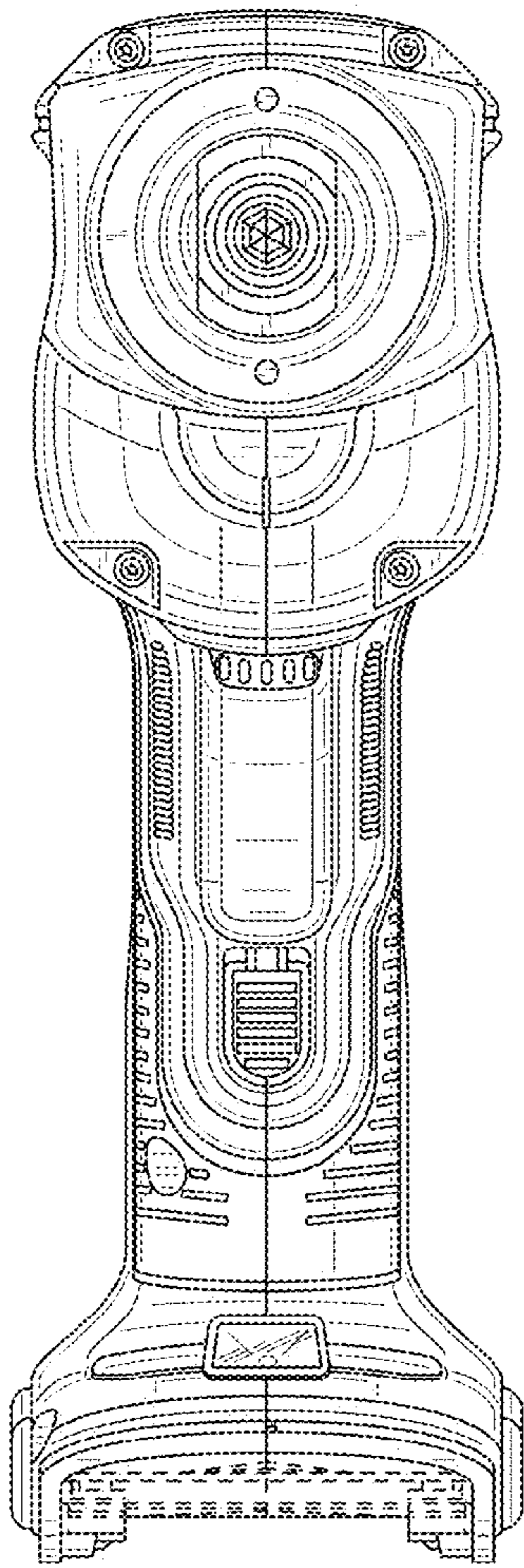


FIG. 2

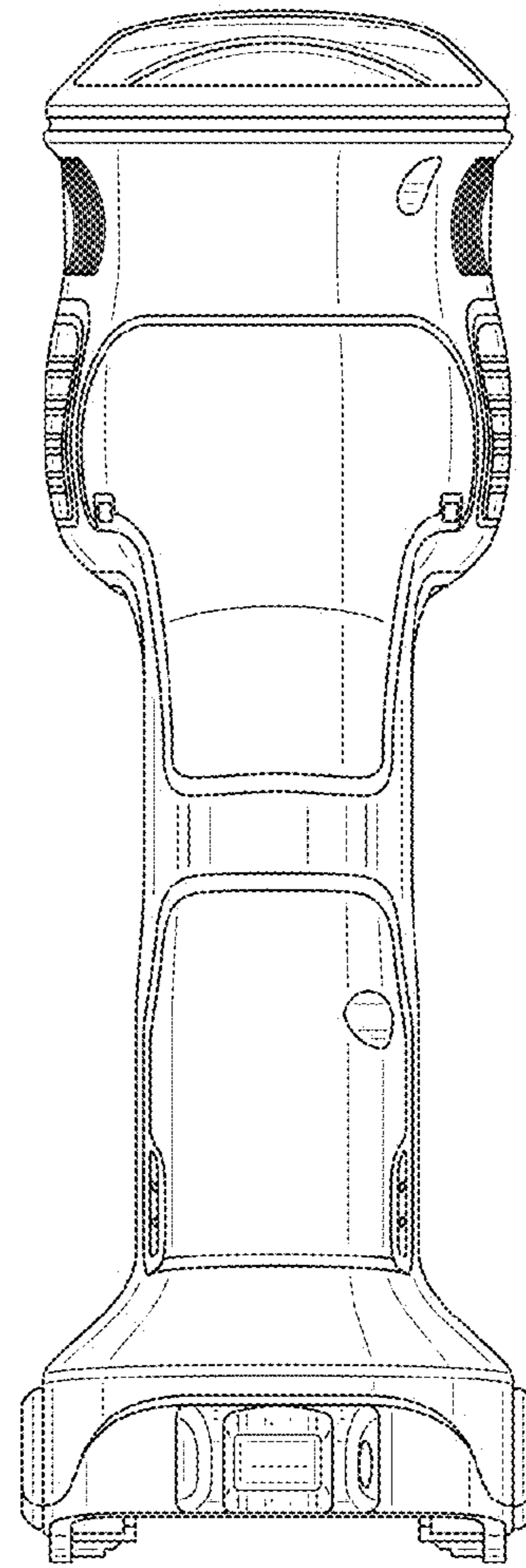


FIG. 3

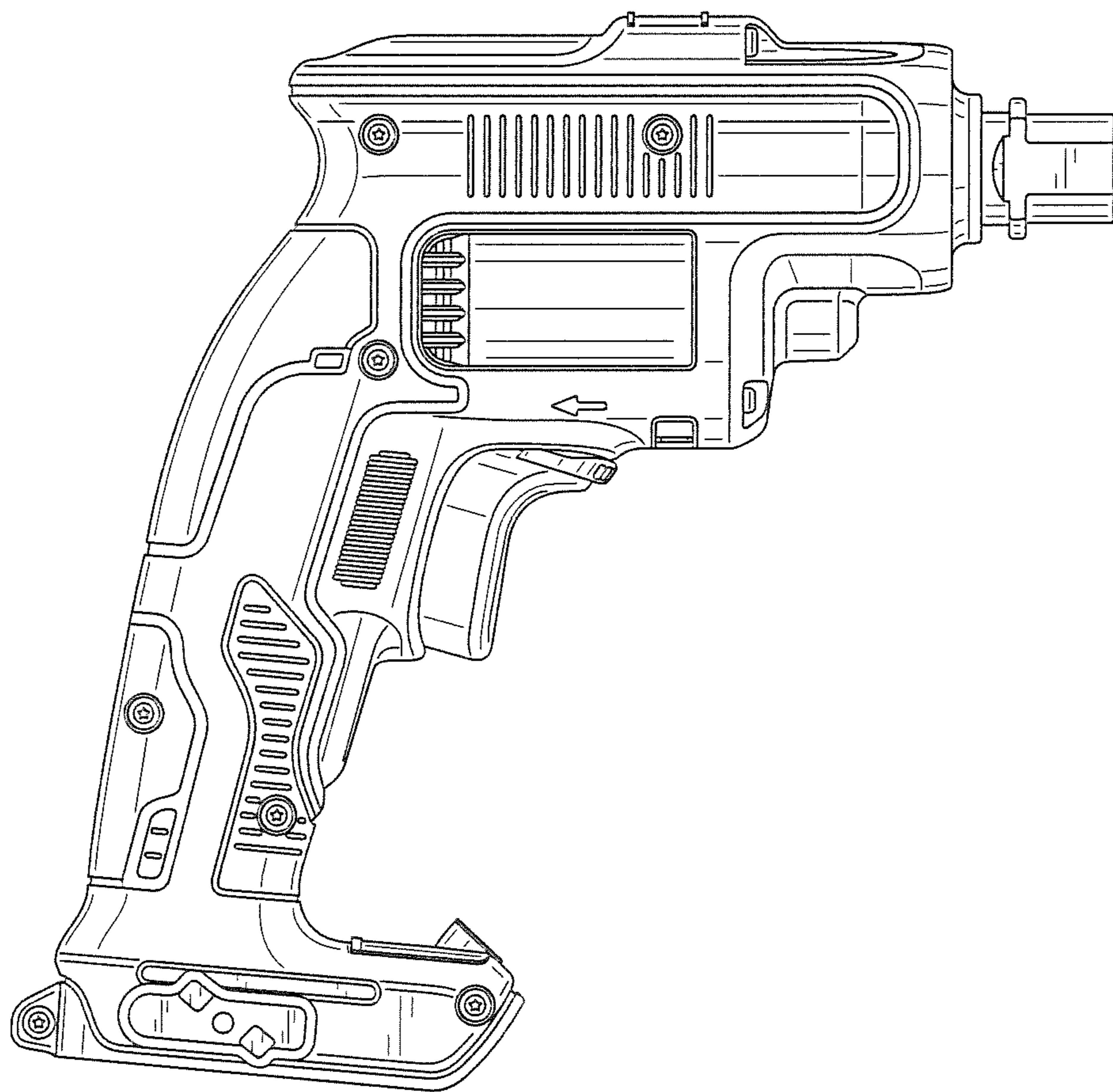


FIG. 4

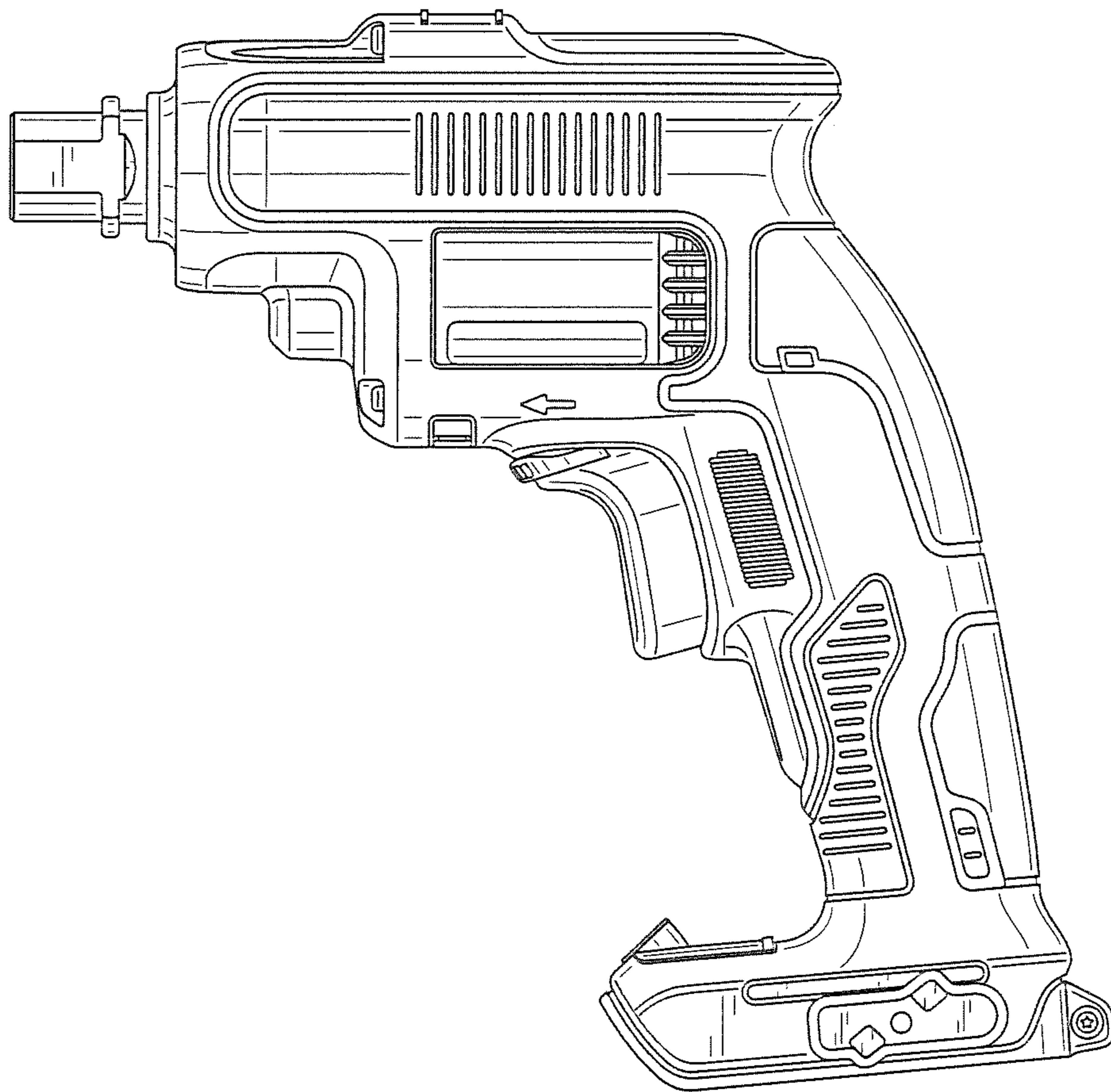


FIG. 5

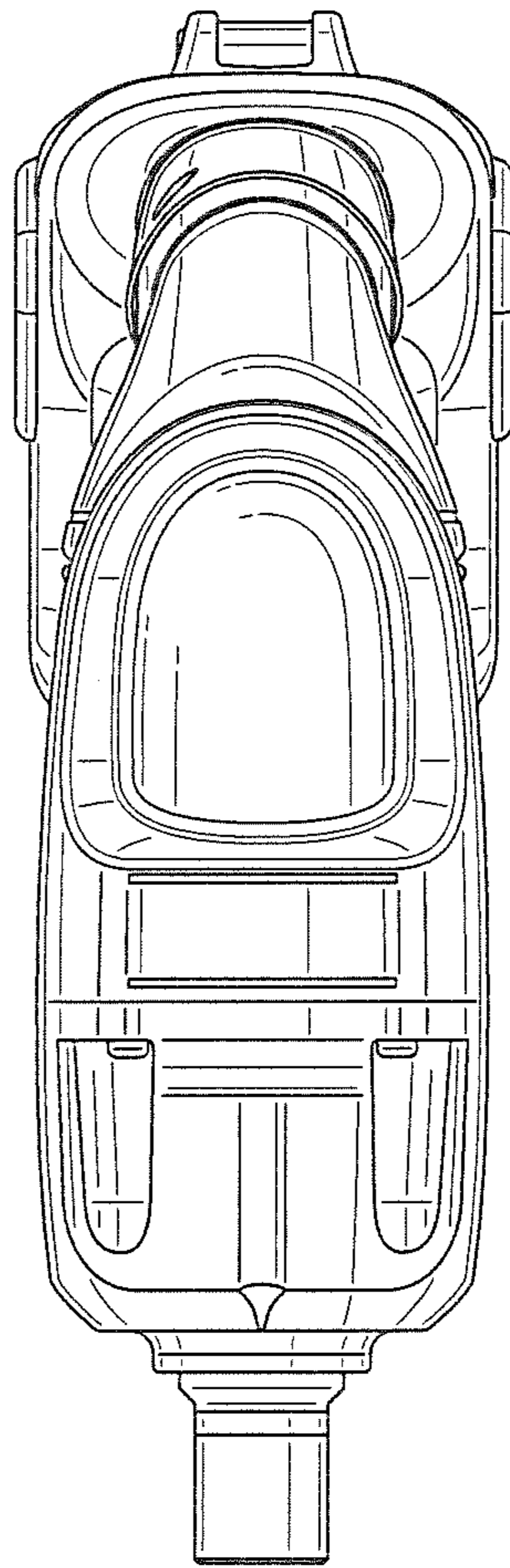


FIG. 6

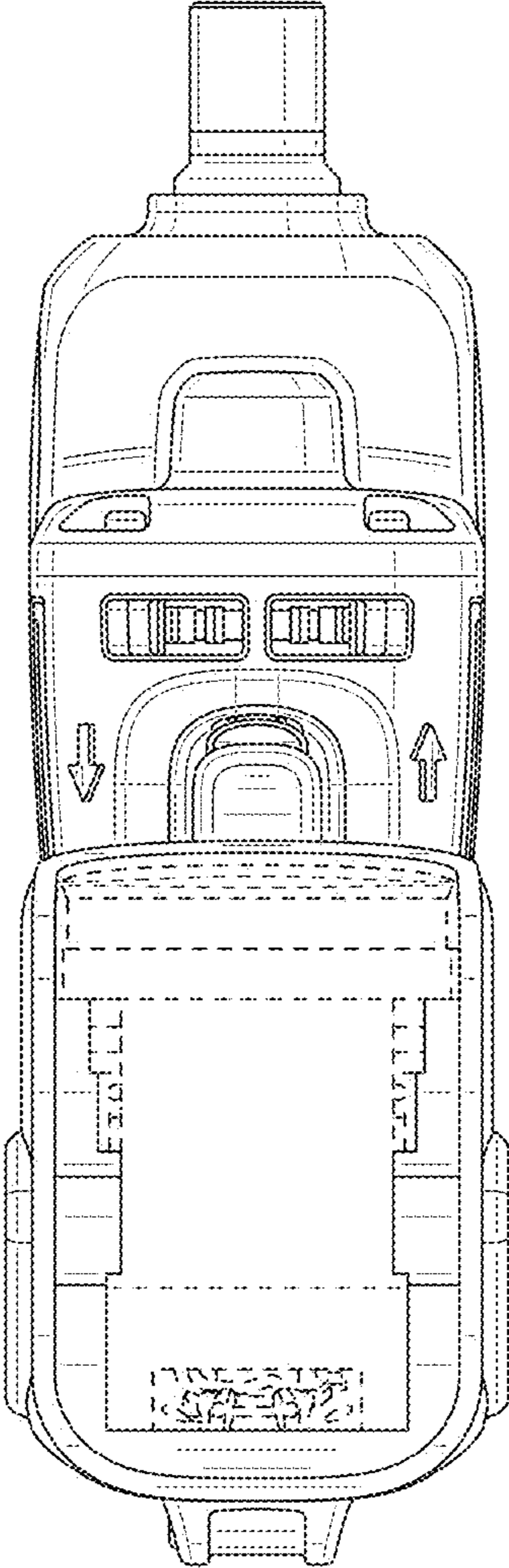


FIG. 7