



US00D739199S

(12) **United States Design Patent**
Finnaes

(10) **Patent No.:** **US D739,199 S**

(45) **Date of Patent:** **** Sep. 22, 2015**

(54) **ANGLE GRINDER**

(71) Applicant: **Stig Finnaes**, Sundby (FI)

(72) Inventor: **Stig Finnaes**, Sundby (FI)

(73) Assignee: **KWH MIRKA LTD.**, Jeppo (FI)

(**) Term: **14 Years**

(21) Appl. No.: **29/479,531**

(22) Filed: **Jan. 17, 2014**

Related U.S. Application Data

(62) Division of application No. 29/407,119, filed on Nov. 23, 2011.

(30) **Foreign Application Priority Data**

May 25, 2011 (EM) 001868340-0001

May 25, 2011 (EM) 001868340-0002

(51) **LOC (10) Cl.** **08-01**

(52) **U.S. Cl.**
USPC **D8/62**

(58) **Field of Classification Search**
USPC D32/15, 17, 19; D8/67, 62, 61; D4/102;
451/456, 451, 359, 358, 357, 356, 355,
451/354, 353, 351, 344; 310/50; 173/170
CPC B24D 2205/00; B24D 2201/00; B24D
18/00; B24D 9/00; B24B 35/00
See application file for complete search history.

(56) **References Cited**

U.S. PATENT DOCUMENTS

6,132,301 A *	10/2000	Kaiser	451/450
D437,199 S *	2/2001	Robson	D8/62
8,435,096 B2 *	5/2013	Chen	451/7
D707,516 S *	6/2014	Aglassinger	D8/62
D715,616 S *	10/2014	Aglassinger	D8/62
D722,853 S *	2/2015	Takahashi et al.	D8/61

* cited by examiner

Primary Examiner — Austin Murphy

(74) *Attorney, Agent, or Firm* — Nath, Goldberg & Meyer;
Jerald L. Meyer; Rury L. Grisham

(57) **CLAIM**

The ornamental design for an angle grinder, as shown and described.

DESCRIPTION

FIG. 1 is a top planar view for a second design of an angle grinder;

FIG. 2 is a right side elevational view of the design for an angle grinder as seen in FIG. 1;

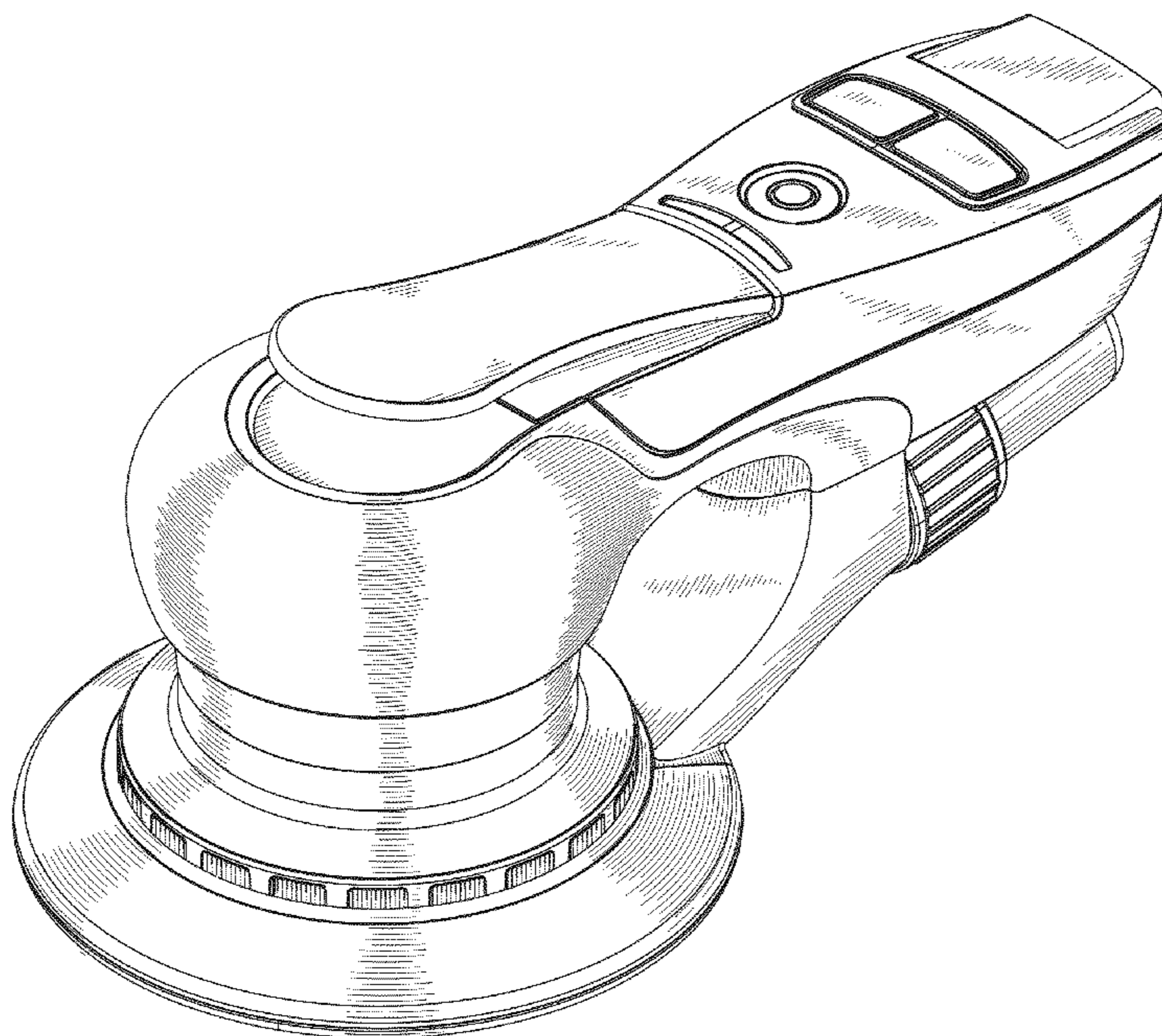
FIG. 3 is a bottom planar view of the design for an angle grinder as seen in FIG. 1;

FIG. 4 is a front elevational view of the design for an angle grinder as seen in FIG. 1;

FIG. 5 is rear elevational view of the design for an angle grinder as seen in FIG. 1; and,

FIG. 6 is top right side perspective view of the design for an angle grinder as seen in FIG. 1.

1 Claim, 6 Drawing Sheets



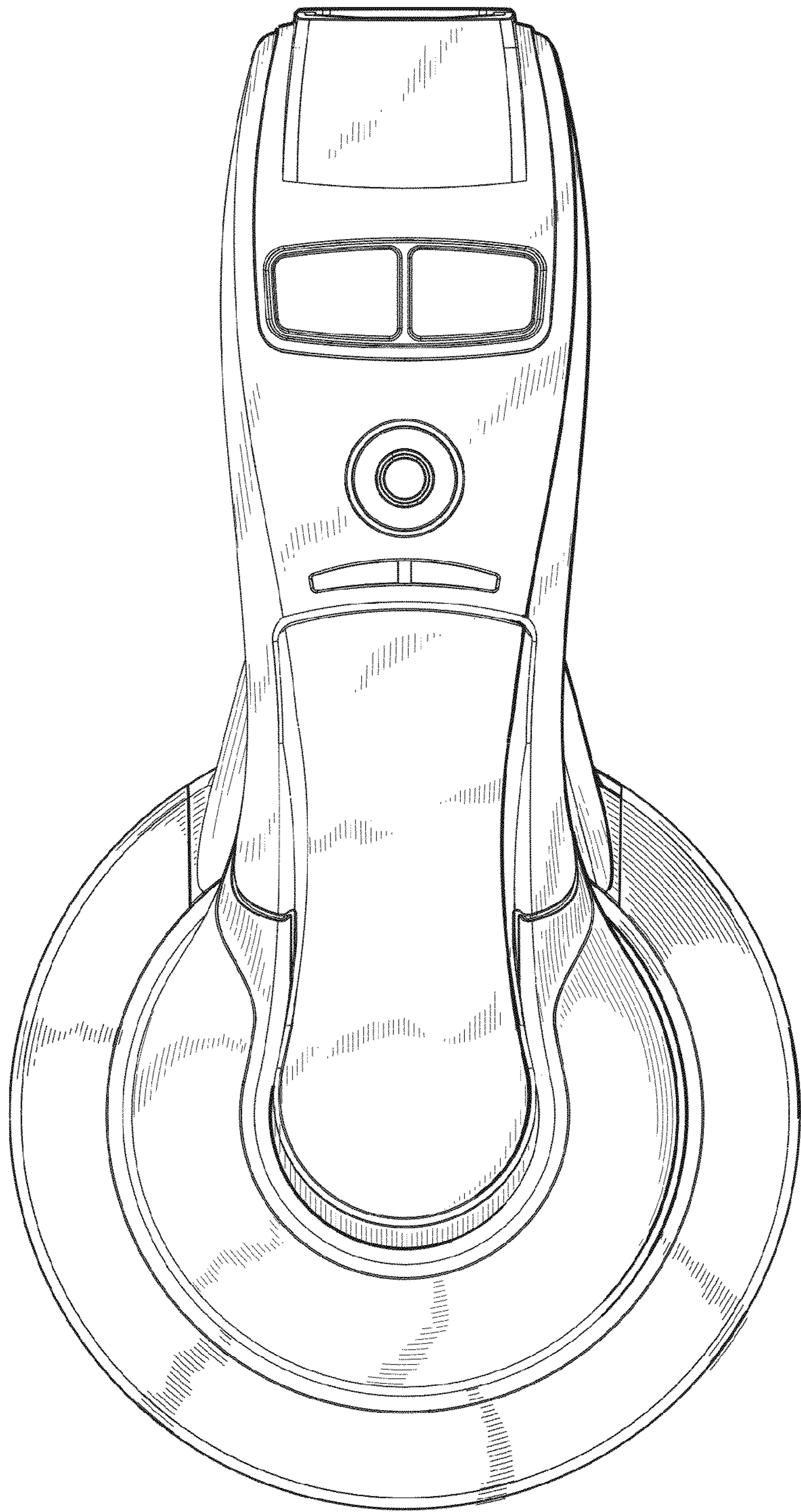


FIG. 1

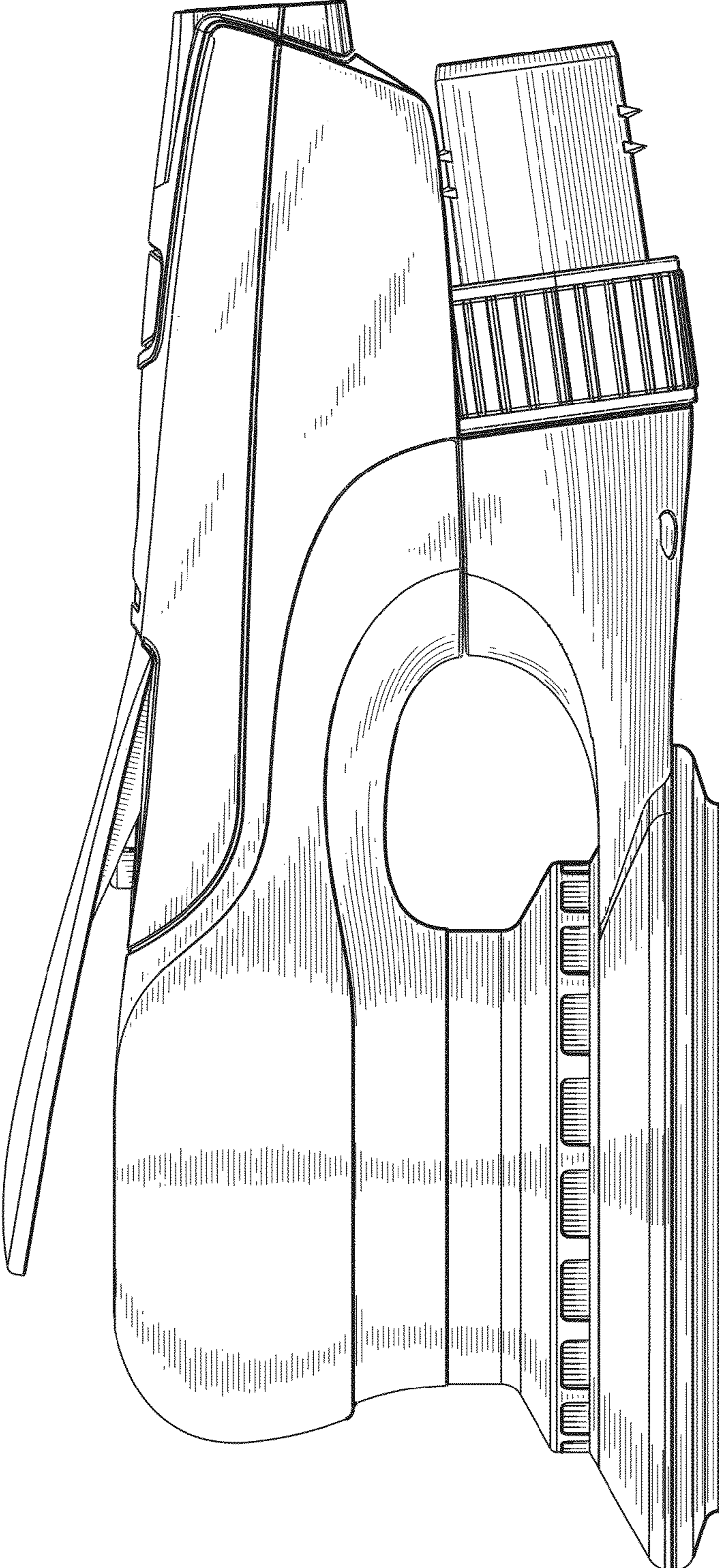


FIG. 2

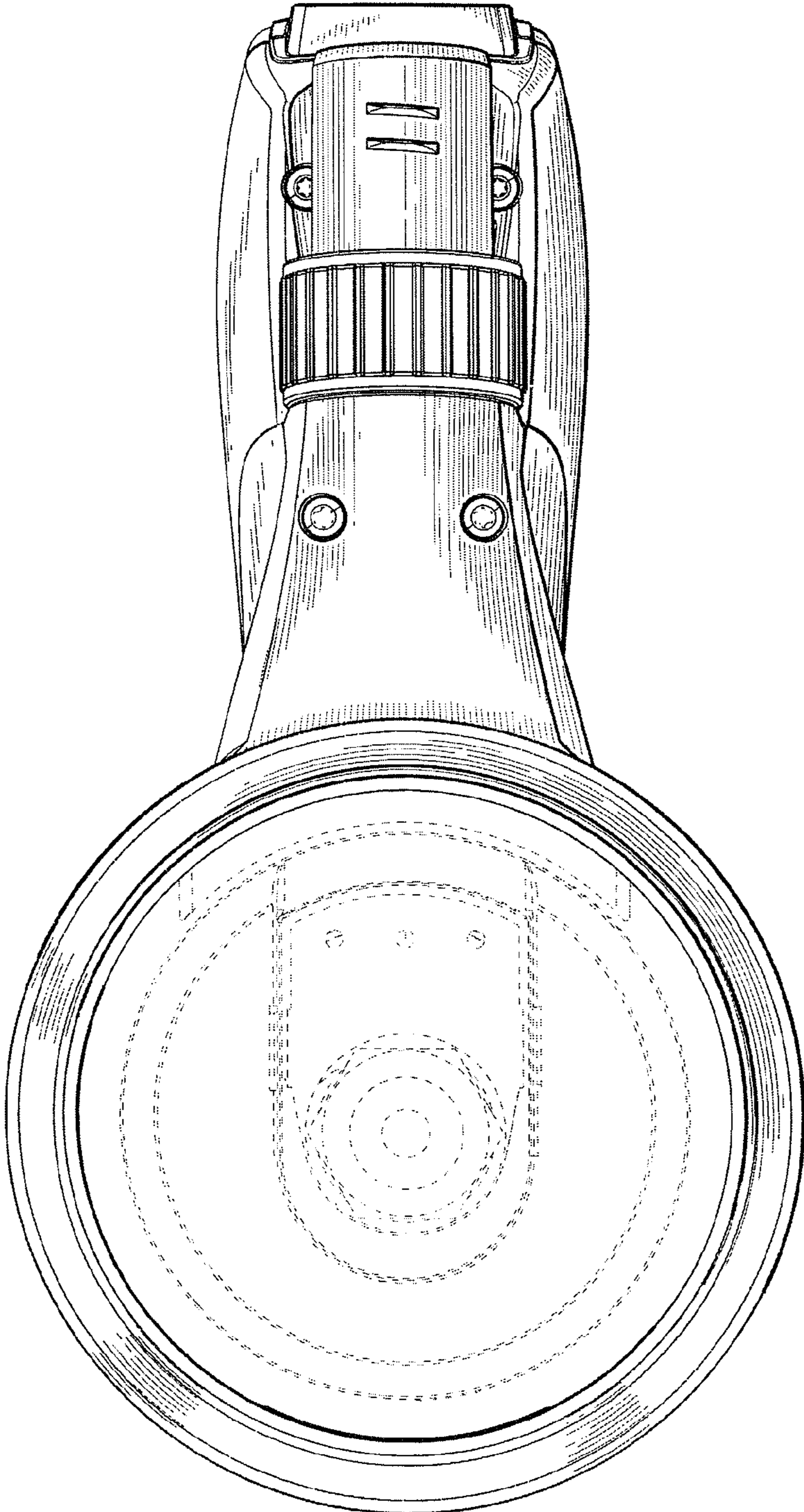


FIG. 3

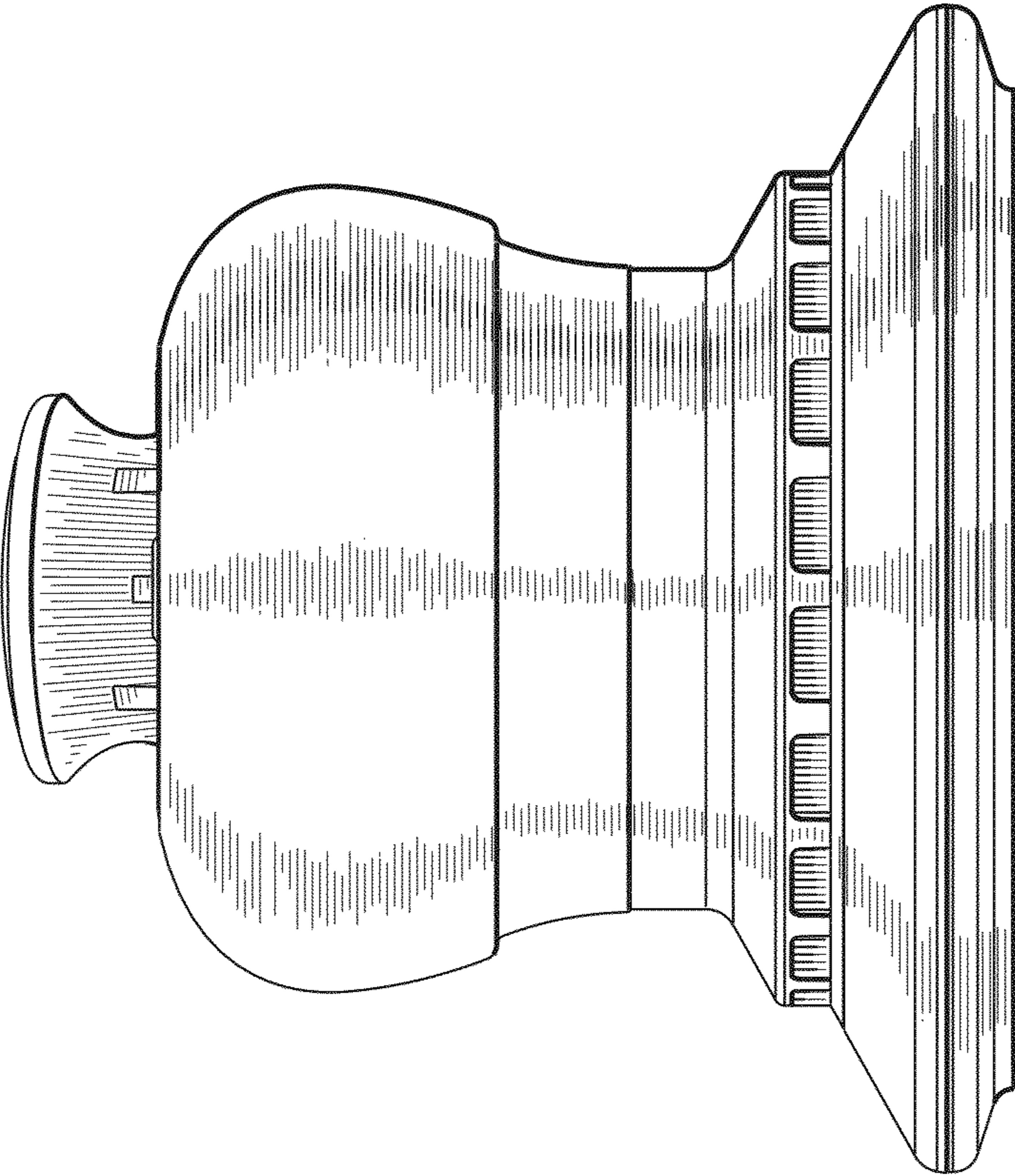


FIG. 4

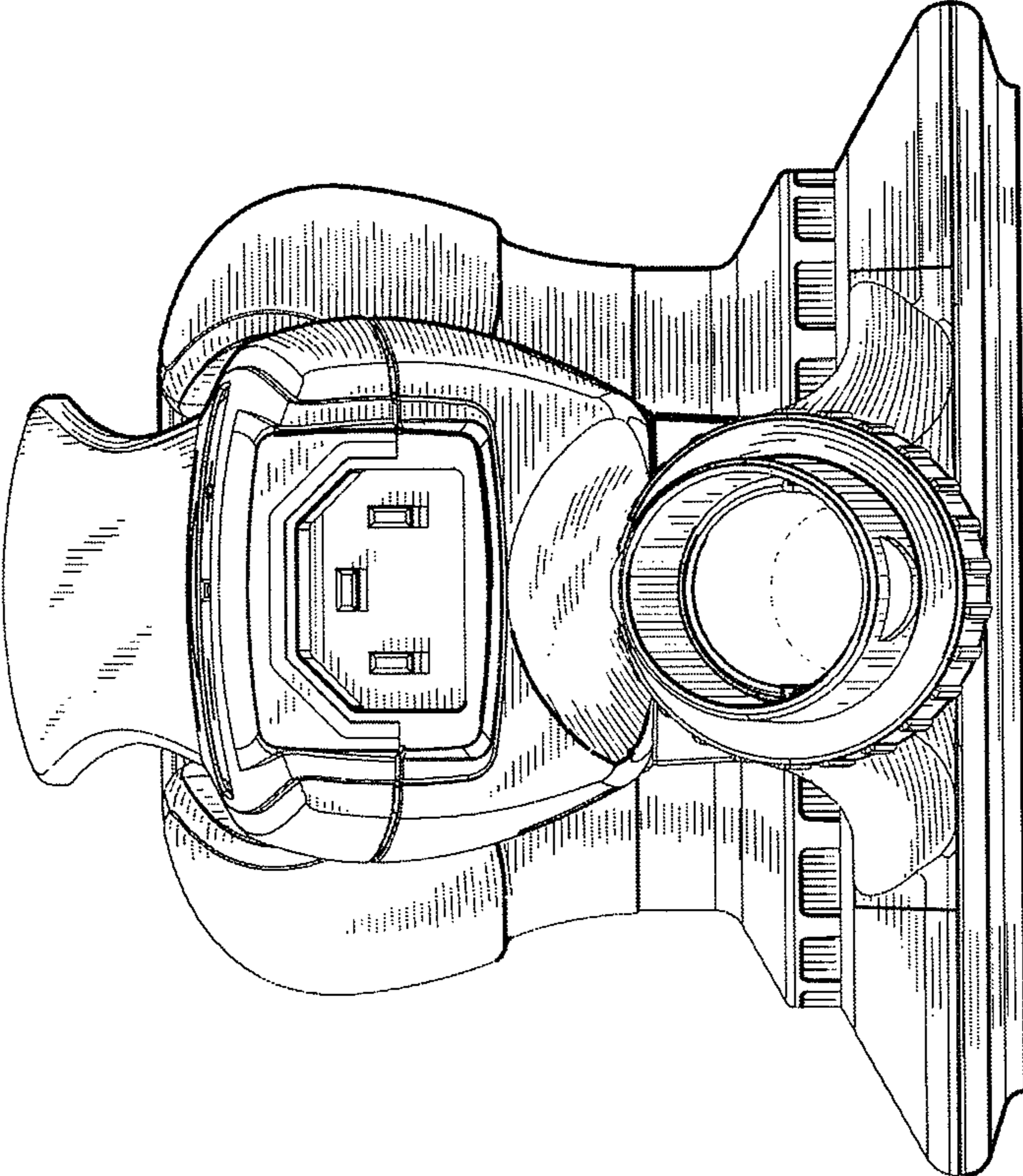


FIG. 5

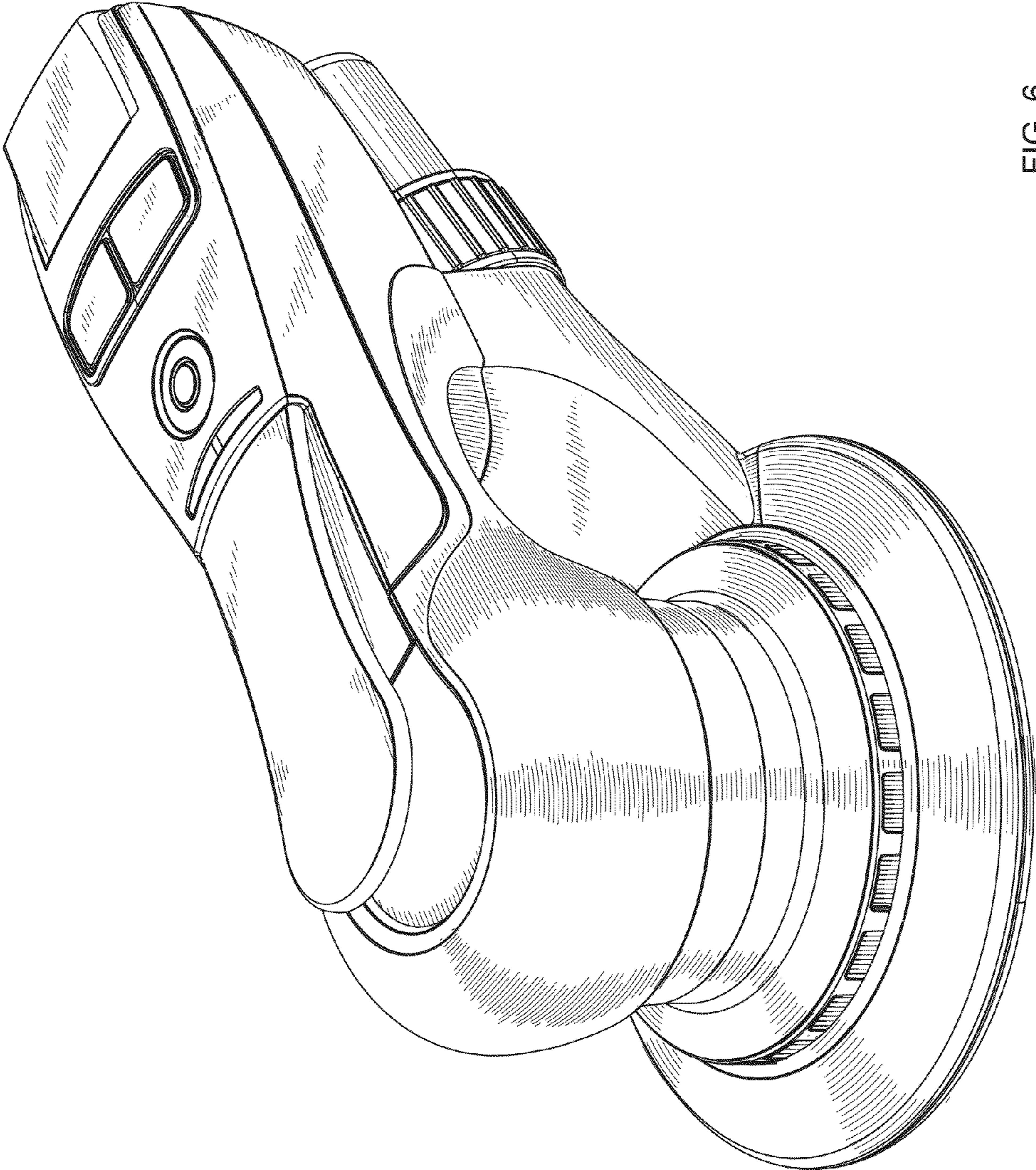


FIG. 6