



US00D739198S

(12) **United States Design Patent**
Cleland

(10) **Patent No.:** **US D739,198 S**

(45) **Date of Patent:** **** Sep. 22, 2015**

(54) **PIPE CRIMPING TOOL WITH ASSOCIATED COLLAR ATTACHMENT**

(71) Applicant: **Mil3 Inc**, Cary, NC (US)

(72) Inventor: **John G. Cleland**, Cary, NC (US)

(73) Assignee: **MIL3 INC.**, Cary, NC (US)

(**) Term: **14 Years**

(21) Appl. No.: **29/441,200**

(22) Filed: **Jan. 2, 2013**

Related U.S. Application Data

(63) Continuation-in-part of application No. 13/540,110, filed on Jul. 2, 2012.

(51) **LOC (10) Cl.** **08-03**

(52) **U.S. Cl.**
USPC **D8/60**

(58) **Field of Classification Search**
USPC D8/51, 52, 54, 60, 14; 30/92, 92.5, 95, 30/94; 81/309, 316, 317, 318, 319, 320, 81/321, 322; 72/409, 410
CPC B25B 7/12
See application file for complete search history.

(56) **References Cited**

U.S. PATENT DOCUMENTS

5,074,142 A * 12/1991 Heskey et al. 72/409.1
D341,303 S * 11/1993 Davis D8/51
5,267,464 A * 12/1993 Cleland 72/409.12
7,503,201 B2 * 3/2009 Cleland et al. 72/409.1
7,954,356 B1 * 6/2011 Erbrick et al. 72/409.12

8,151,618 B2 * 4/2012 Polofsky 72/409.16
8,590,352 B2 * 11/2013 Bowles et al. 72/31.01
2004/0144154 A1 * 7/2004 Steiner 72/409.19
2006/0213248 A1 * 9/2006 Cleland et al. 72/409.01
2013/0000051 A1 * 1/2013 Cleland 7/128

FOREIGN PATENT DOCUMENTS

EP 1147859 A2 * 10/2001

* cited by examiner

Primary Examiner — Ian Simmons

Assistant Examiner — Harold Blackwell, II

(74) *Attorney, Agent, or Firm* — Myers Bigel Sibley & Sajovec, PA

(57) **CLAIM**

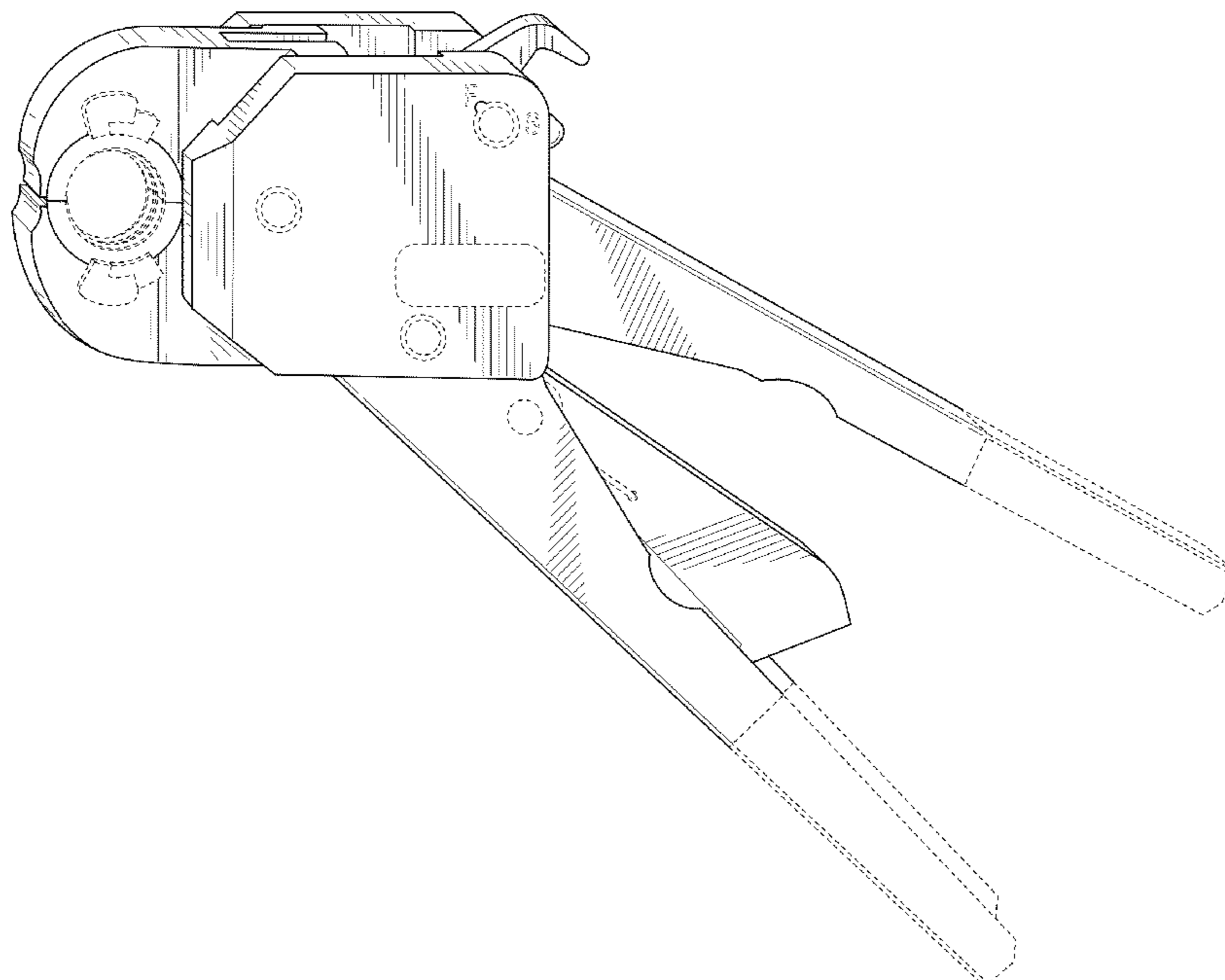
The ornamental design for a pipe crimping tool with associated collar attachment, as shown and described.

DESCRIPTION

FIG. 1 is a first side perspective view of a pipe crimping tool with associated collar attachment showing my design; FIG. 2 is an opposing second side perspective view thereof; FIG. 3 is a first side perspective view thereof with the associated collar attachment in a detached configuration; FIG. 4 is a first side view thereof; FIG. 5 is an opposing second side view thereof; FIG. 6 is a back view thereof; FIG. 7 is front view thereof; FIG. 8 is a bottom view thereof; and, FIG. 9 is a top view thereof.

The broken lines in the drawings illustrate portions of a pipe crimping tool with associated collar attachment which form no part of the claimed design.

1 Claim, 7 Drawing Sheets



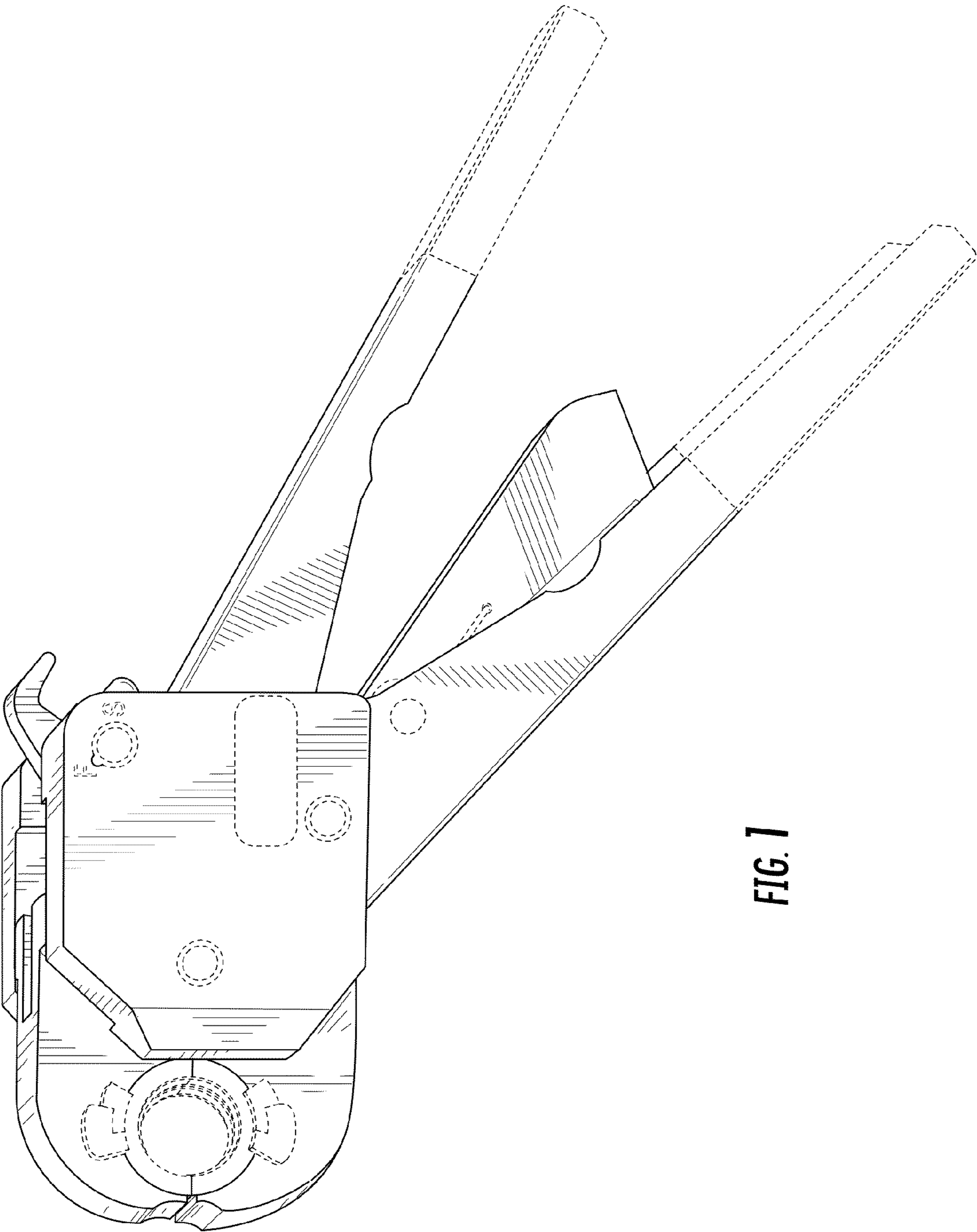


FIG. 1

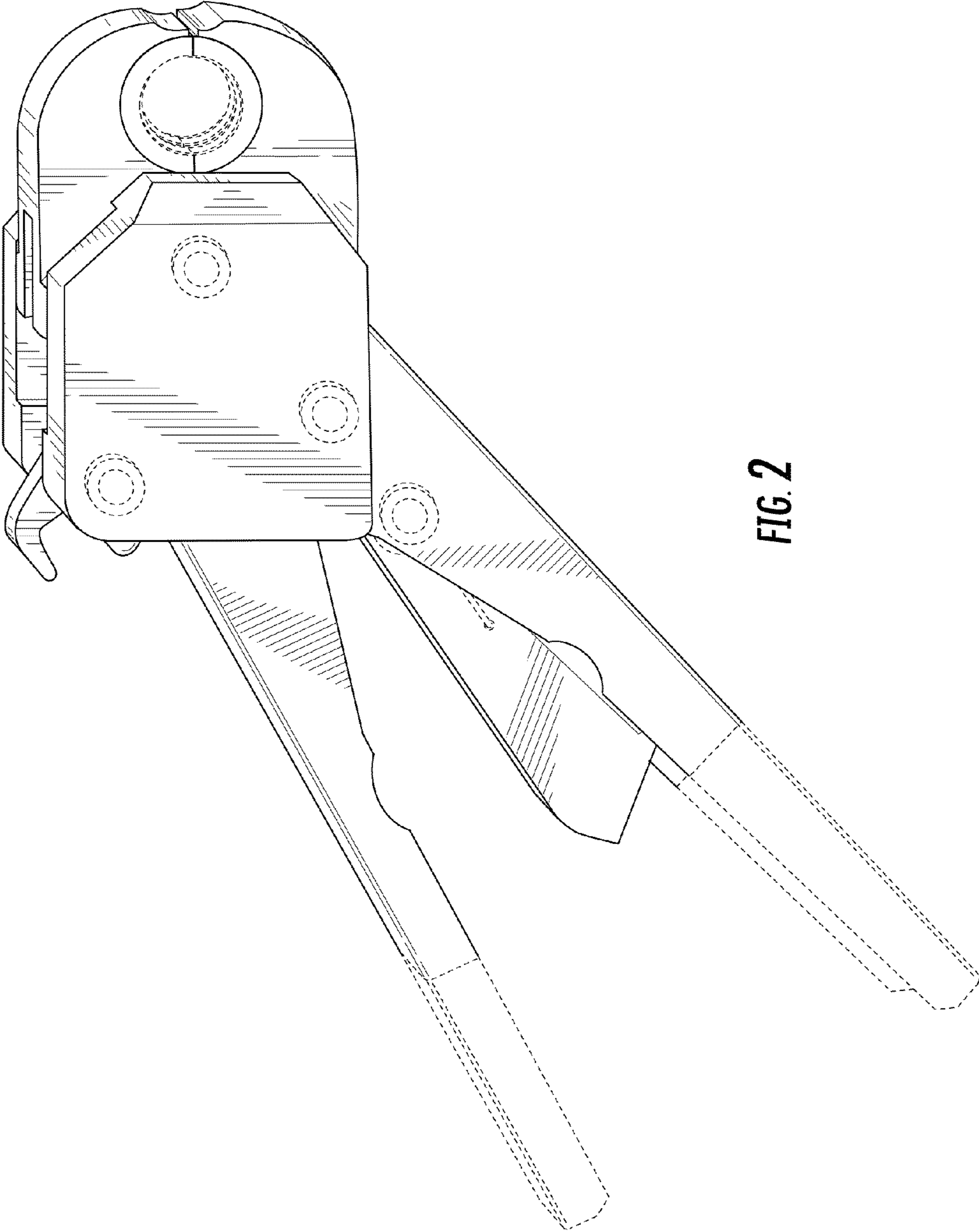


FIG. 2

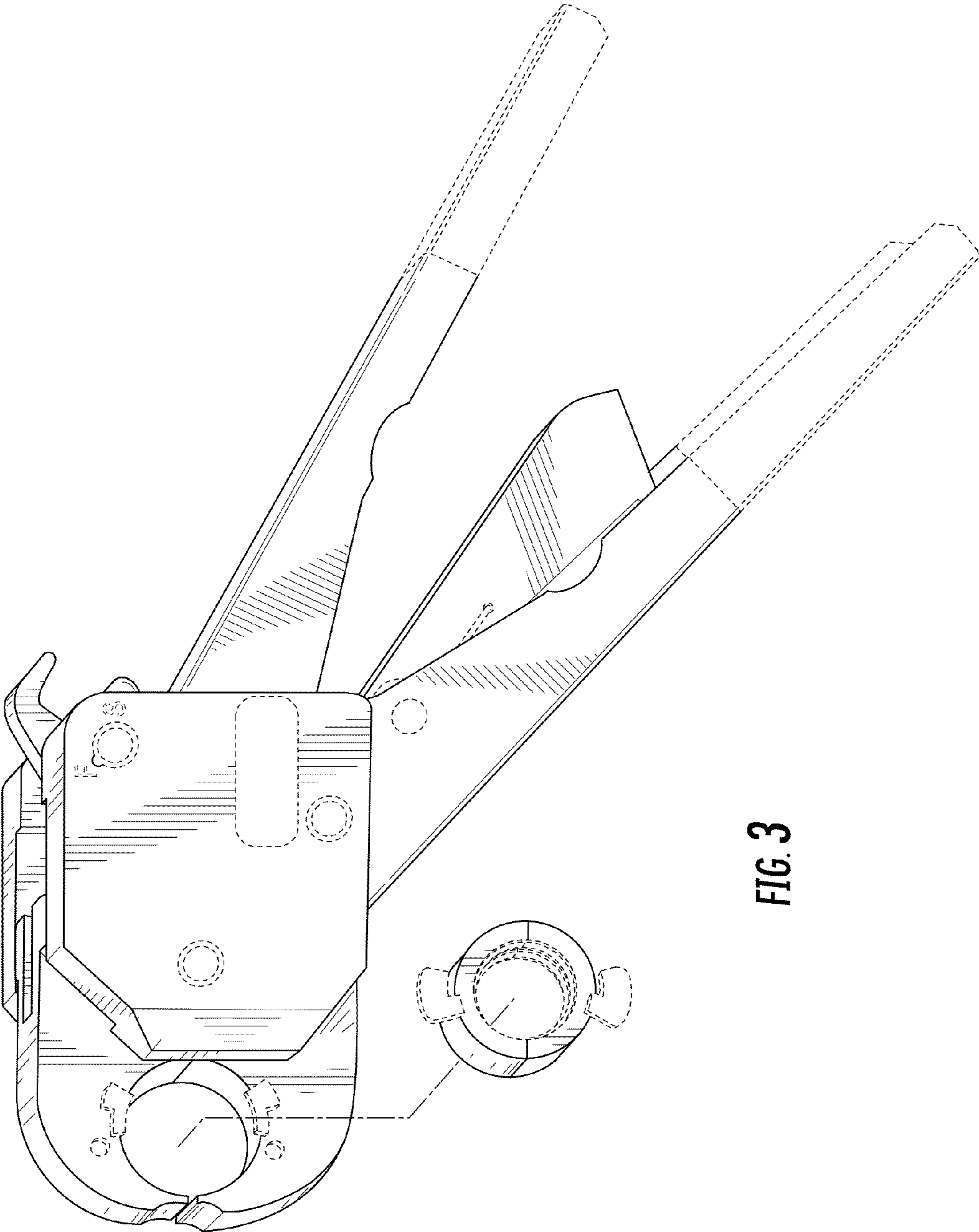


FIG. 3

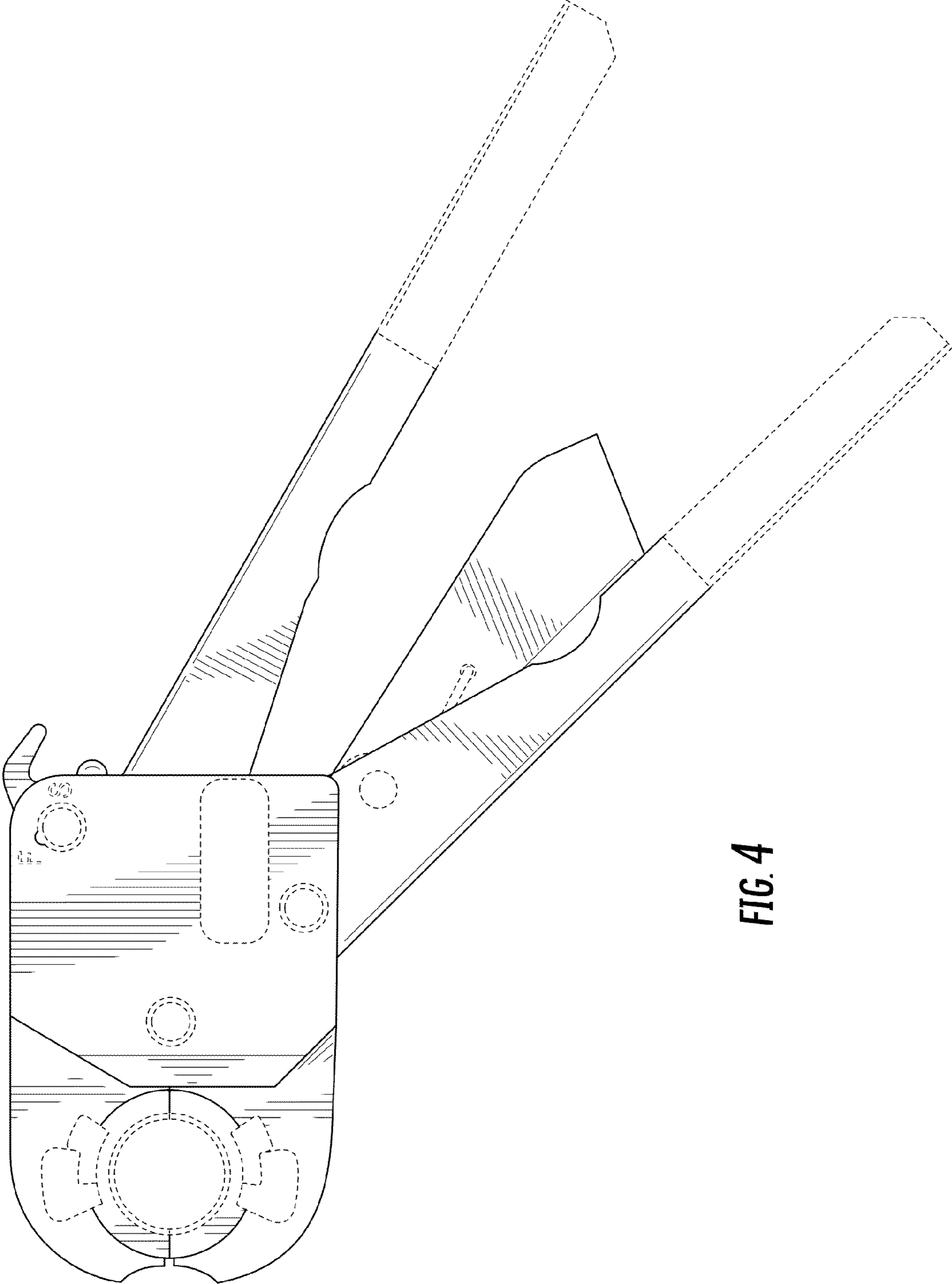


FIG. 4

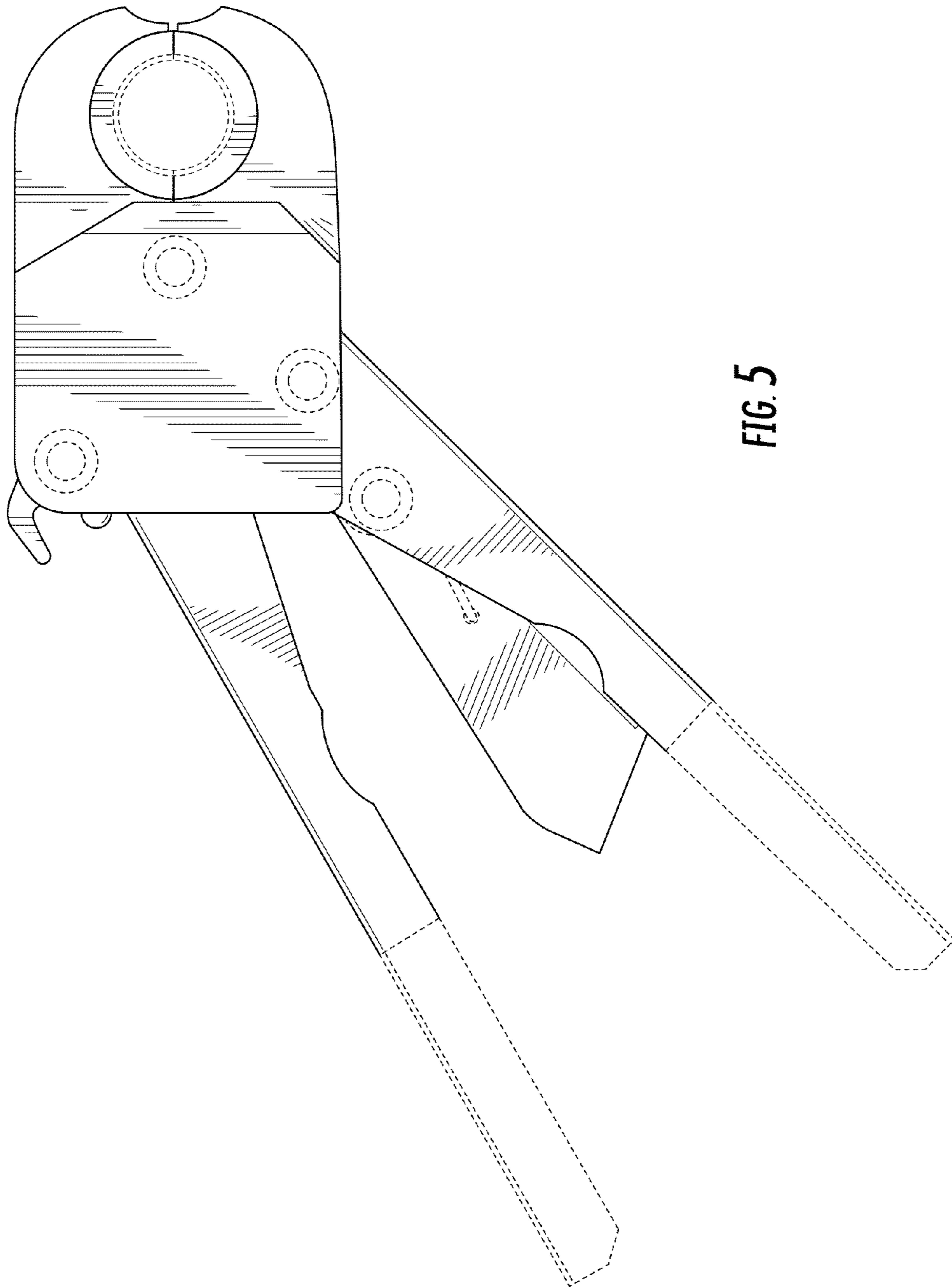


FIG. 5

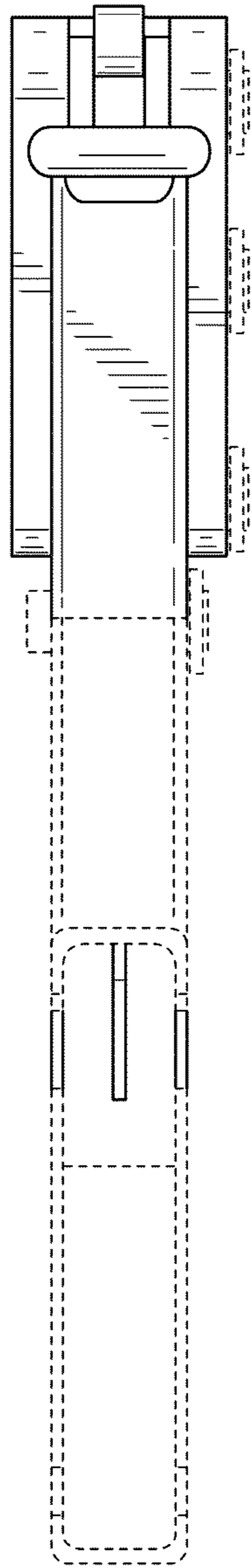


FIG. 6

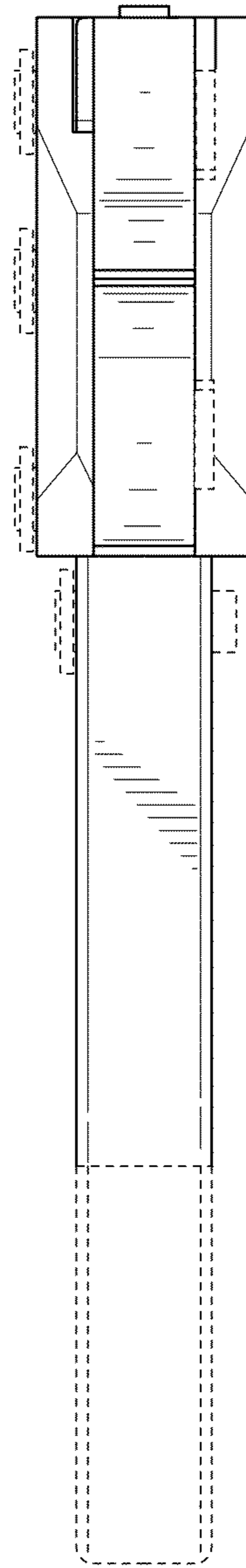


FIG. 7

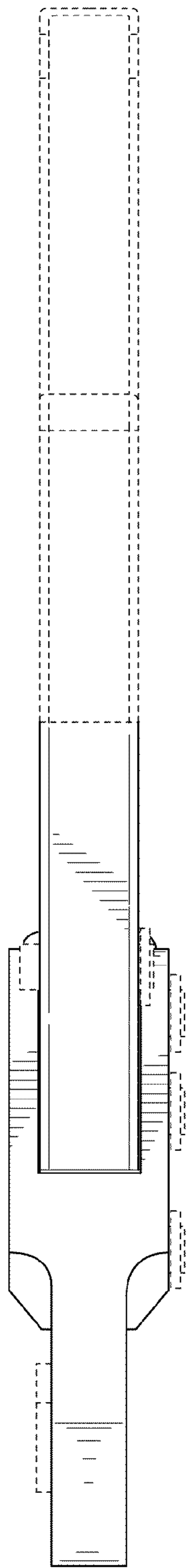


FIG. 8

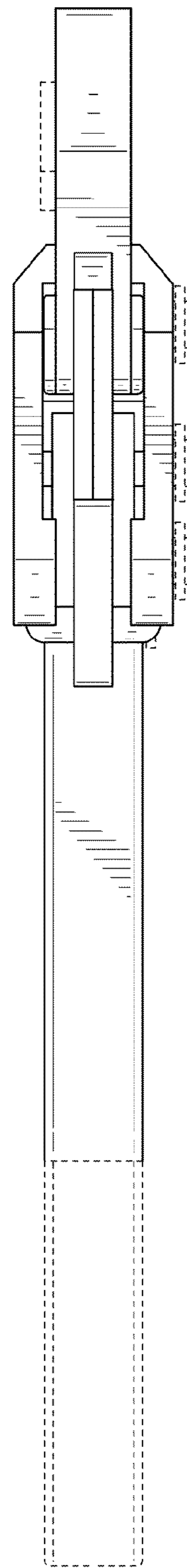


FIG. 9