



US00D739196S

(12) **United States Design Patent**
Mohr et al.

(10) **Patent No.:** **US D739,196 S**

(45) **Date of Patent:** **** Sep. 22, 2015**

(54) **FIRE HYDRANT-SHAPED BOTTLE OPENER**

(71) Applicant: **Unique Canyon Products, Inc.**, Santa Clarita, CA (US)

(72) Inventors: **Craig Allen Mohr**, Newhall, CA (US);
Scott Charles, Santa Clarita, CA (US)

(73) Assignee: **UNIQUE CANYON PRODUCTS, INC.**, Santa Clarita, CA (US)

(**) Term: **14 Years**

(21) Appl. No.: **29/500,330**

(22) Filed: **Aug. 25, 2014**

(51) **LOC (10) Cl.** **07-99**

(52) **U.S. Cl.**
USPC **D8/38**

(58) **Field of Classification Search**
USPC D8/16, 18, 19, 33-43, 89, 98-104, 105,
D8/396; D7/395; D9/600; D23/234;
30/294; 137/296
CPC B67B 7/00; B67B 7/14; B67B 7/16;
B67B 7/24; B67B 7/30; B67B 7/32; B67B
7/34; B67B 7/36; B67B 7/38; B67B 7/44
See application file for complete search history.

(56) **References Cited**

U.S. PATENT DOCUMENTS

D182,065 S *	2/1958	Ellerman	D19/67
D231,306 S *	4/1974	Breglia	D7/599
3,929,152 A *	12/1975	Graham	137/296
D240,062 S *	5/1976	Satten	D21/483
D262,555 S *	1/1982	Skubic	D21/483

4,356,839 A *	11/1982	Voynovich	137/296
D282,109 S *	1/1986	Golden et al.	D29/126
4,716,922 A *	1/1988	Camp	137/296
D328,620 S *	8/1992	Maple	D21/483
5,924,437 A *	7/1999	Young	137/15.02
D480,243 S *	10/2003	Edwards et al.	D6/515
D488,575 S *	4/2004	Aguilera	D26/40
6,901,950 B1 *	6/2005	Burt et al.	137/382
D540,180 S *	4/2007	Edwards	D9/600
7,278,442 B2 *	10/2007	Holland et al.	137/296
D581,105 S *	11/2008	Niskanen	D30/153
D608,214 S *	1/2010	Kuzma et al.	D9/600
D618,555 S *	6/2010	Adams	D9/600

* cited by examiner

Primary Examiner — Elizabeth Albert

(74) *Attorney, Agent, or Firm* — Mitchell Law PLLC;
Matthew W. Mitchell

(57) **CLAIM**

The ornamental design for a fire hydrant-shaped bottle opener, as shown and described.

DESCRIPTION

FIG. 1 is an isometric view of the fire hydrant-shaped bottle opener of the present invention;

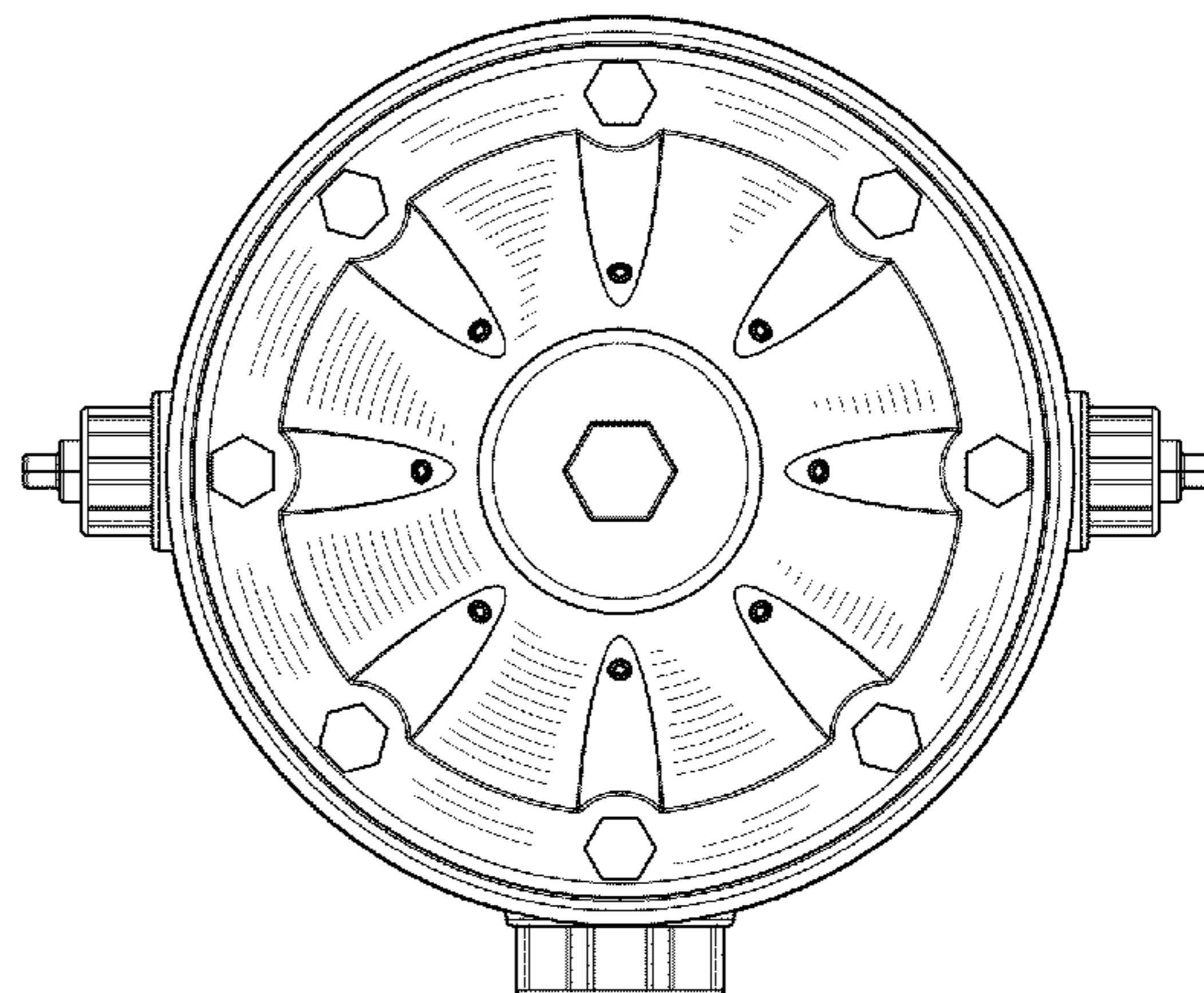
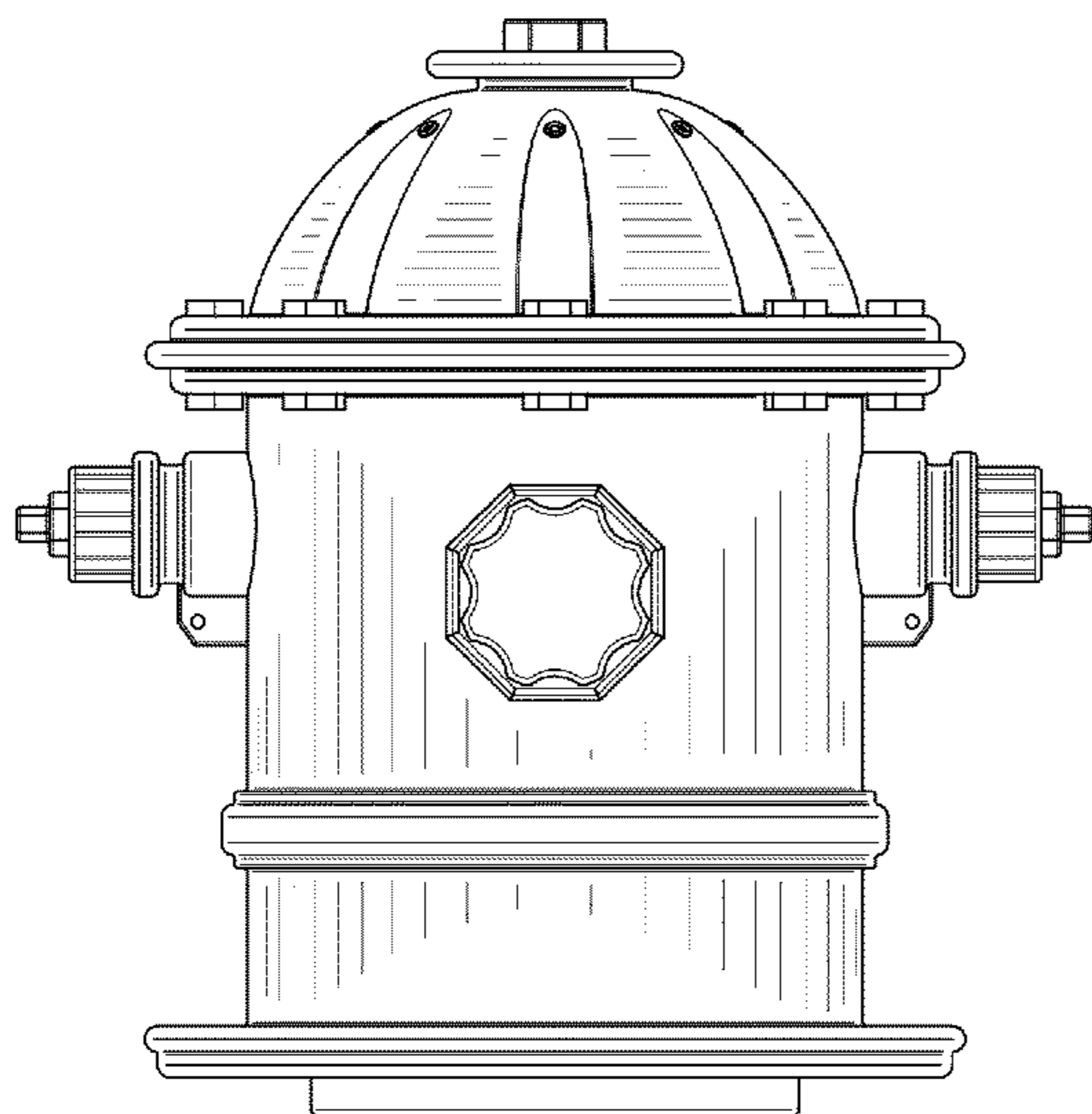
FIG. 2 is a front view of the fire hydrant-shaped bottle opener of FIG. 1;

FIG. 3 is a side view of the fire hydrant-shaped bottle opener of FIG. 1, as seen from the left side of FIG. 2, the right side being a mirror image thereof;

FIG. 4 is a rear view of the fire hydrant-shaped bottle opener of FIG. 1; and,

FIG. 5 is a top plan view of the fire hydrant-shaped bottle opener of FIG. 1.

1 Claim, 3 Drawing Sheets



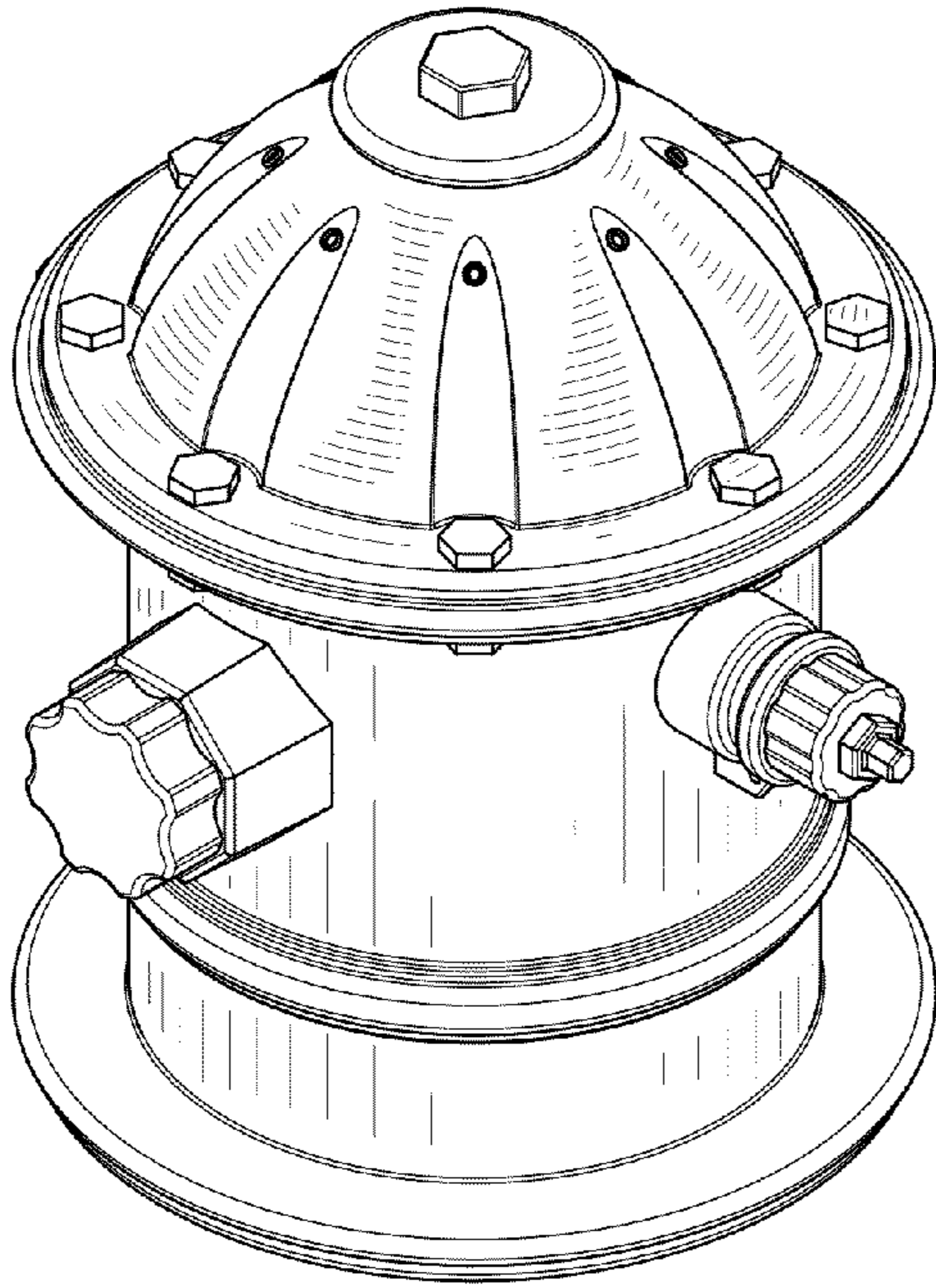


FIG. 1

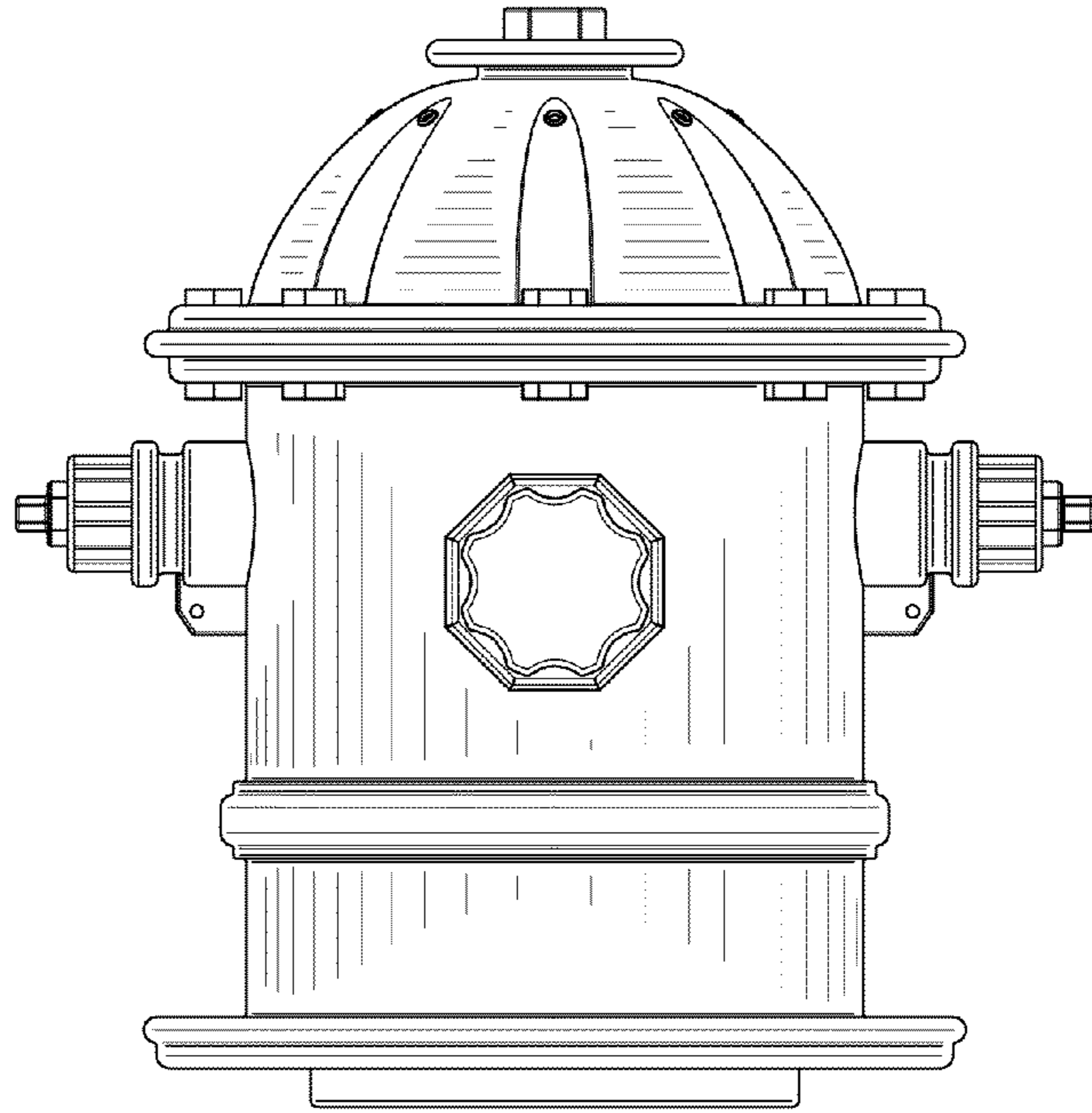


FIG. 2

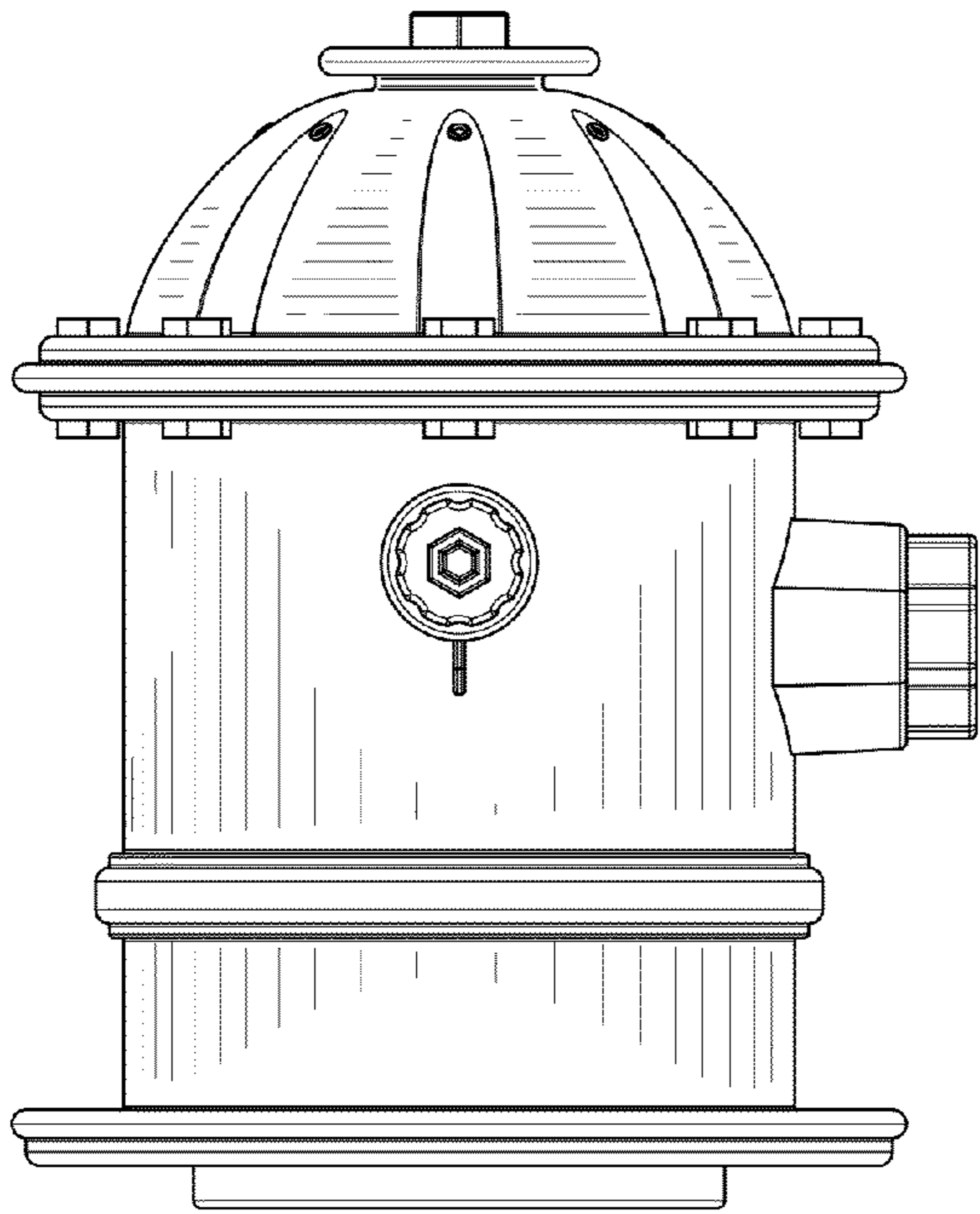


FIG. 3

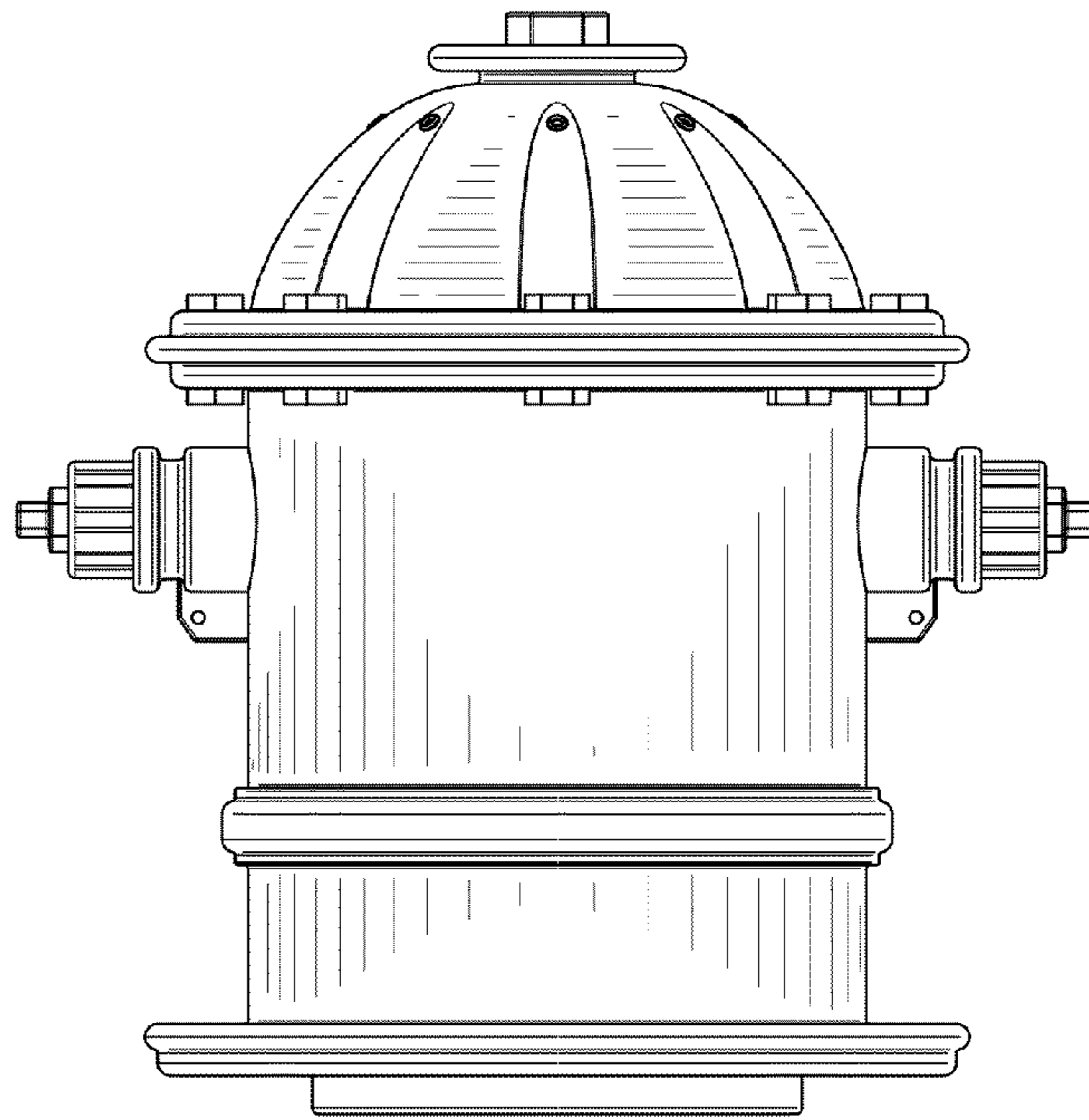


FIG. 4

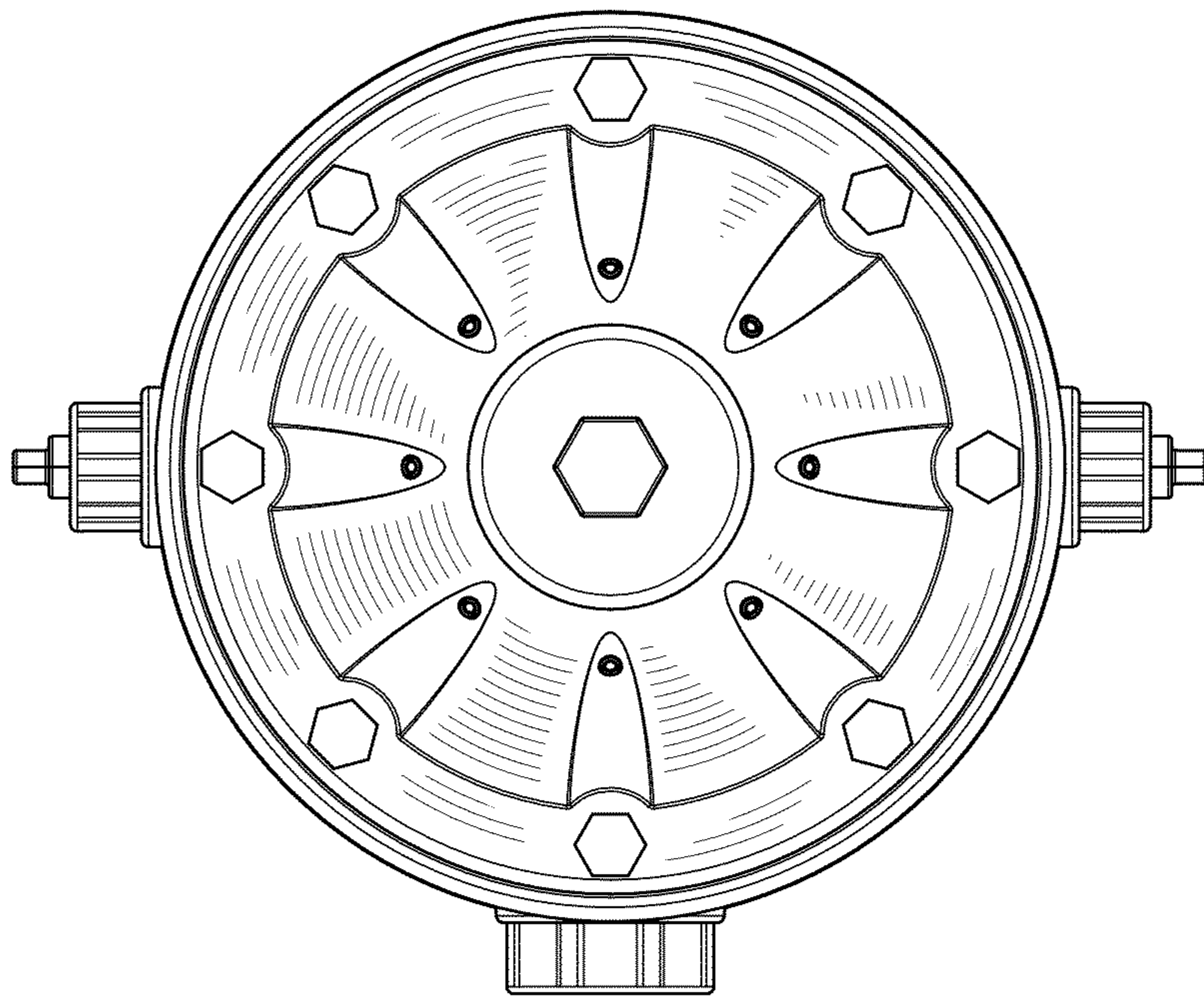


FIG. 5