



US00D739191S

(12) **United States Design Patent**  
**Rana**

(10) **Patent No.:** **US D739,191 S**

(45) **Date of Patent:** **\*\* Sep. 22, 2015**

(54) **PACK FOR PASTA**

(71) Applicant: **PASTIFICIO RANA S.P.A.**, San Giovanni Lupatoto (IT)

(72) Inventor: **Giovanni Rana**, San Giovanni Lupatoto (IT)

(73) Assignee: **PASTIFICIO RANA S.P.A.**, San Giovanni Lupatoto (IT)

(\*\*) Term: **14 Years**

(21) Appl. No.: **29/447,758**

(22) Filed: **Mar. 6, 2013**

**Related U.S. Application Data**

(62) Division of application No. 29/429,502, filed on Aug. 13, 2012, now Pat. No. Des. 686,084.

(30) **Foreign Application Priority Data**

Jul. 27, 2012 (EM) ..... 002080655-0001  
Jul. 27, 2012 (EM) ..... 002080655-0002  
Jul. 27, 2012 (EM) ..... 002080655-0003

(51) **LOC (10) Cl.** ..... **09-05**

(52) **U.S. Cl.**  
USPC ..... **D7/707**

(58) **Field of Classification Search**  
USPC ..... D9/702-714, 443, 432-434, 499,  
D9/643-648, 424, 761; 220/4.21-4.23,  
220/666, 495.03; 206/494, 406, 527, 811,  
206/484, 260; 383/71-72, 61.1, 33, 113,  
383/79, 78, 81, 84, 35, 108, 207, 120, 114,  
383/210, 42, 119, 127, 103, 106, 907;  
D3/203.1, 203.2, 303; 221/191;  
53/425; D28/5; 229/87.01-87.09,  
229/87.09-87.19, 200, 117.06, 114, 122,  
229/122.1, 162.1, 906, 902; D27/183, 185;  
222/92, 107; 428/35.2; D24/118, 121;  
426/106

See application file for complete search history.

(56) **References Cited**

U.S. PATENT DOCUMENTS

|                |         |                  |        |
|----------------|---------|------------------|--------|
| 4,795,271 A    | 1/1989  | Lane, Jr. et al. |        |
| D414,407 S *   | 9/1999  | Simburger et al. | D9/707 |
| D468,196 S     | 1/2003  | Graham           |        |
| D470,405 S     | 2/2003  | Knoerzer et al.  |        |
| D496,263 S *   | 9/2004  | Chen             | D9/703 |
| D507,754 S *   | 7/2005  | Lucas et al.     | D9/707 |
| D509,751 S     | 9/2005  | Risgalla         |        |
| D545,688 S     | 7/2007  | Donovan          |        |
| 7,371,008 B2 * | 5/2008  | Bonenfant        | 383/5  |
| D580,779 S     | 11/2008 | Hartwell et al.  |        |
| D602,376 S *   | 10/2009 | Coulson          | D9/707 |
| D617,654 S     | 6/2010  | Tawinsook        |        |
| D626,861 S     | 11/2010 | Hofman           |        |
| D630,522 S *   | 1/2011  | Harvey et al.    | D9/707 |
| D640,566 S *   | 6/2011  | Norlin et al.    | D9/707 |
| D643,745 S *   | 8/2011  | Hartley          | D9/707 |
| D658,505 S     | 5/2012  | Garneau          |        |
| D668,550 S     | 10/2012 | Roumell          |        |
| D673,460 S     | 1/2013  | Lee              |        |
| D680,874 S *   | 4/2013  | Kim et al.       | D9/643 |
| D692,318 S *   | 10/2013 | Brewster et al.  | D9/713 |

\* cited by examiner

*Primary Examiner* — Caron D Veynar

*Assistant Examiner* — Abraham Bahta

(74) *Attorney, Agent, or Firm* — Pearne & Gordon LLP

(57) **CLAIM**

The ornamental design for a pack for pasta, as shown and described.

**DESCRIPTION**

FIG. 1 is a perspective view of a pack for pasta, showing my new design;  
FIG. 2 is a front elevational view thereof;  
FIG. 3 is a back elevational view thereof;  
FIG. 4 is a left side elevational view thereof;  
FIG. 5 is a right side elevational view thereof;  
FIG. 6 is a top plan view thereof; and,  
FIG. 7 is a bottom plan view thereof.

**1 Claim, 7 Drawing Sheets**

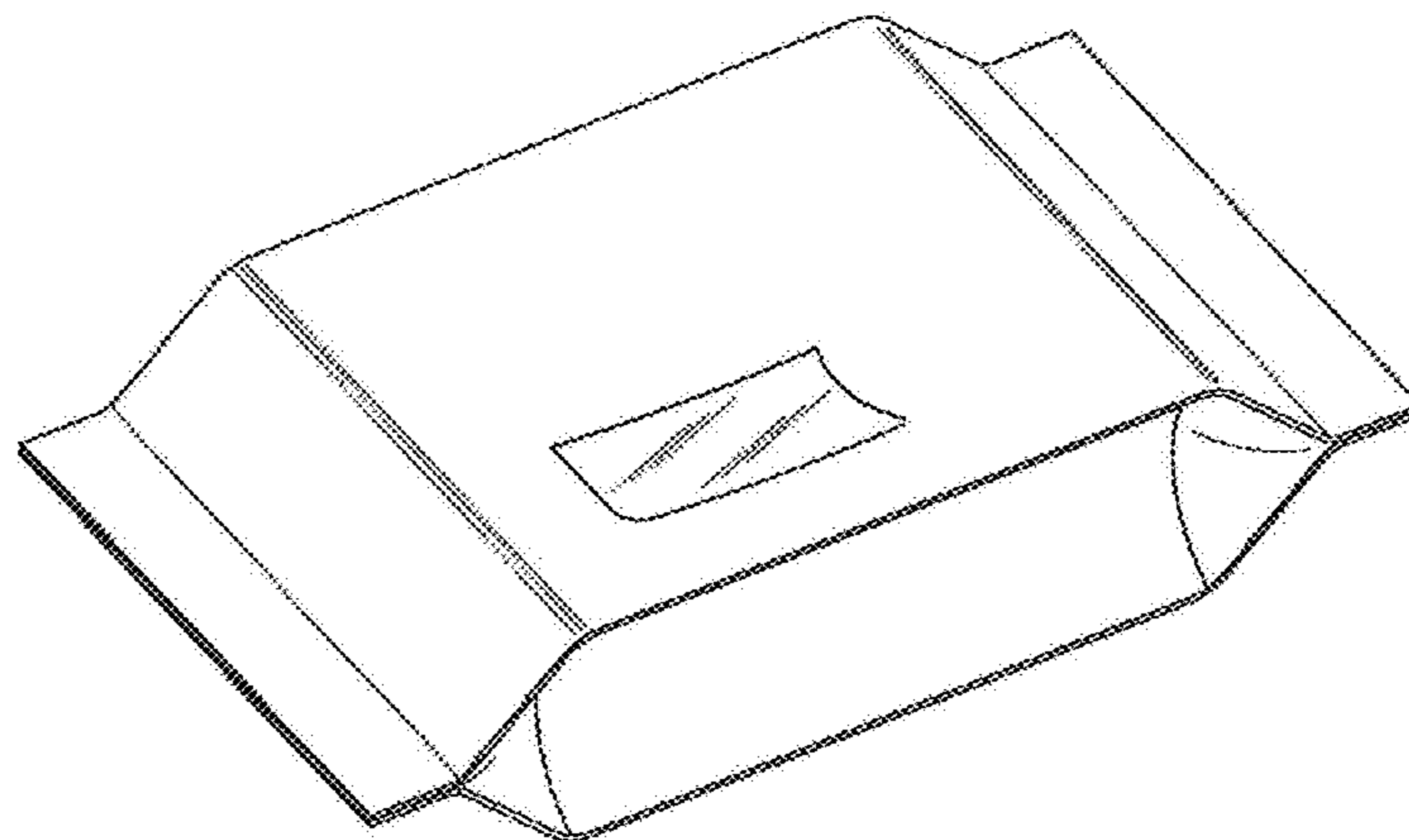


FIG. 1

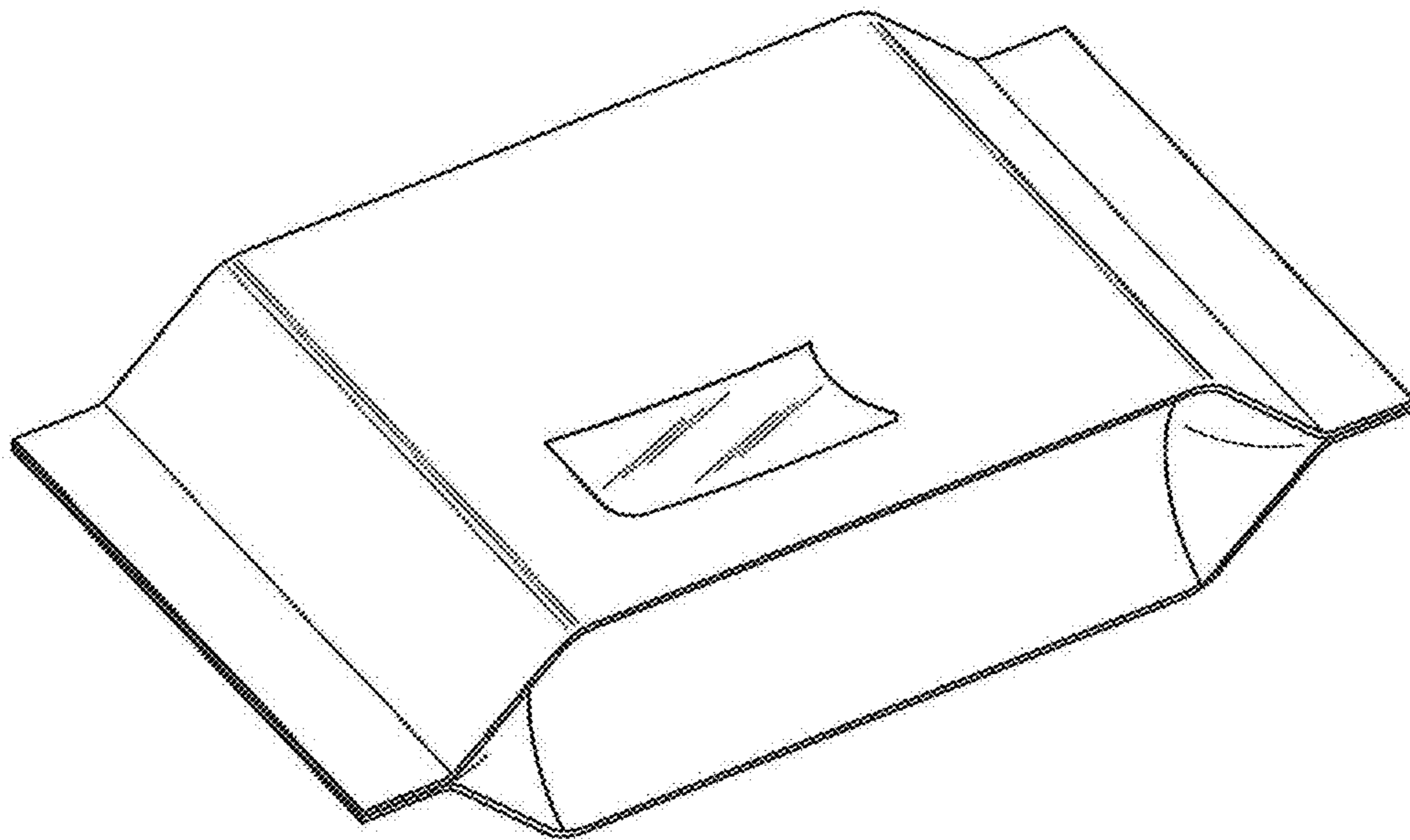


FIG. 2

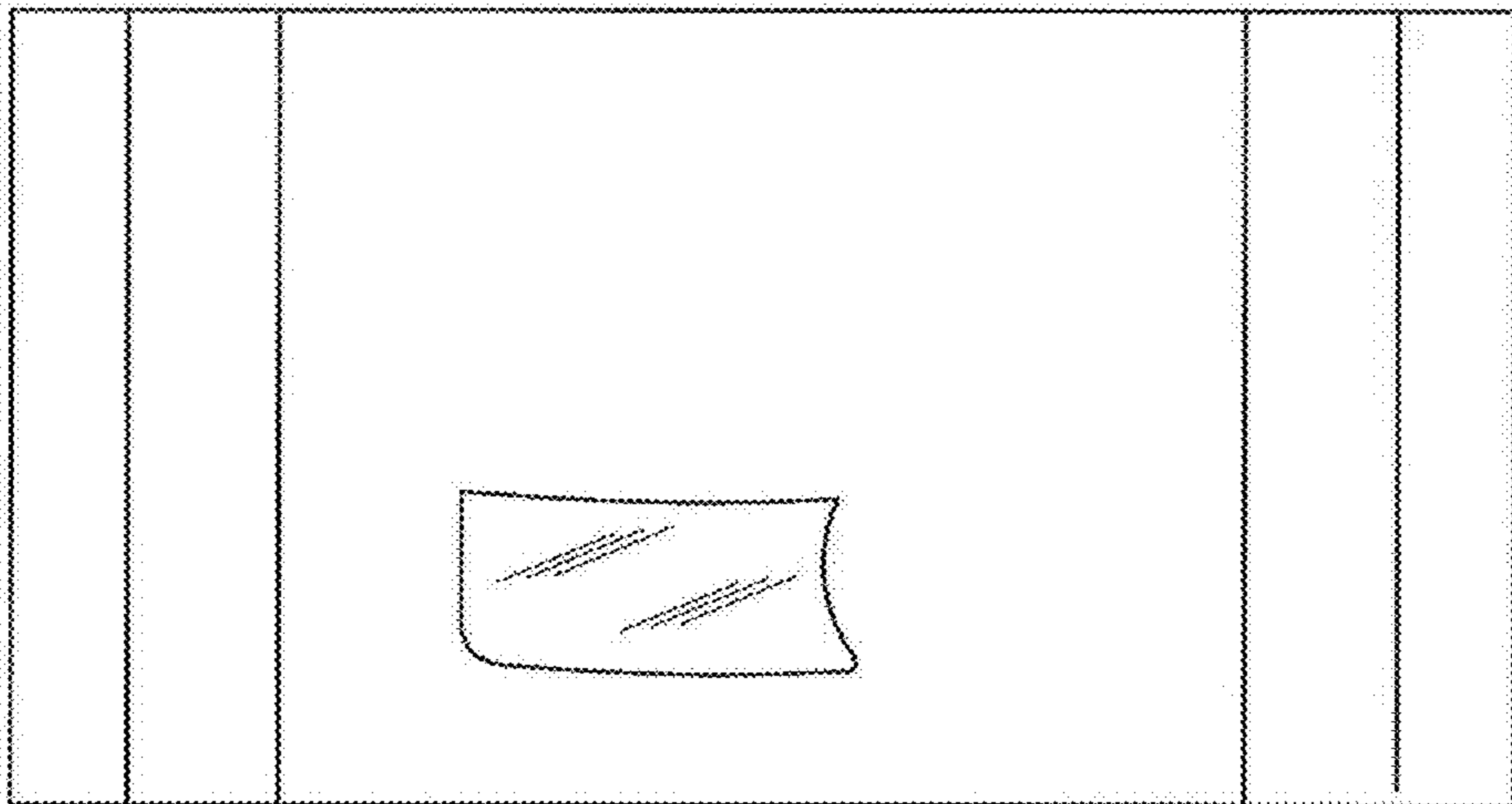


FIG. 3

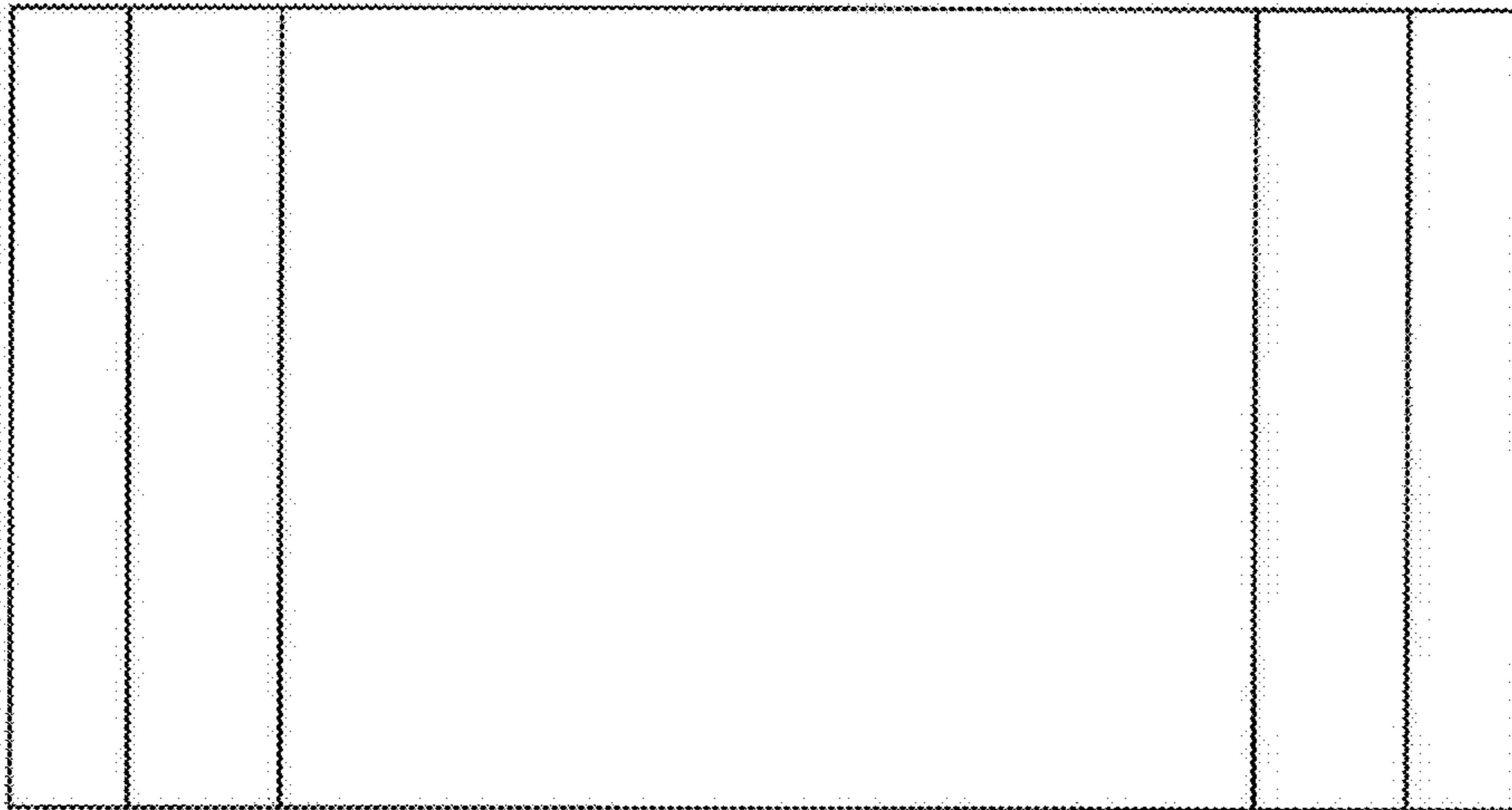


FIG. 4

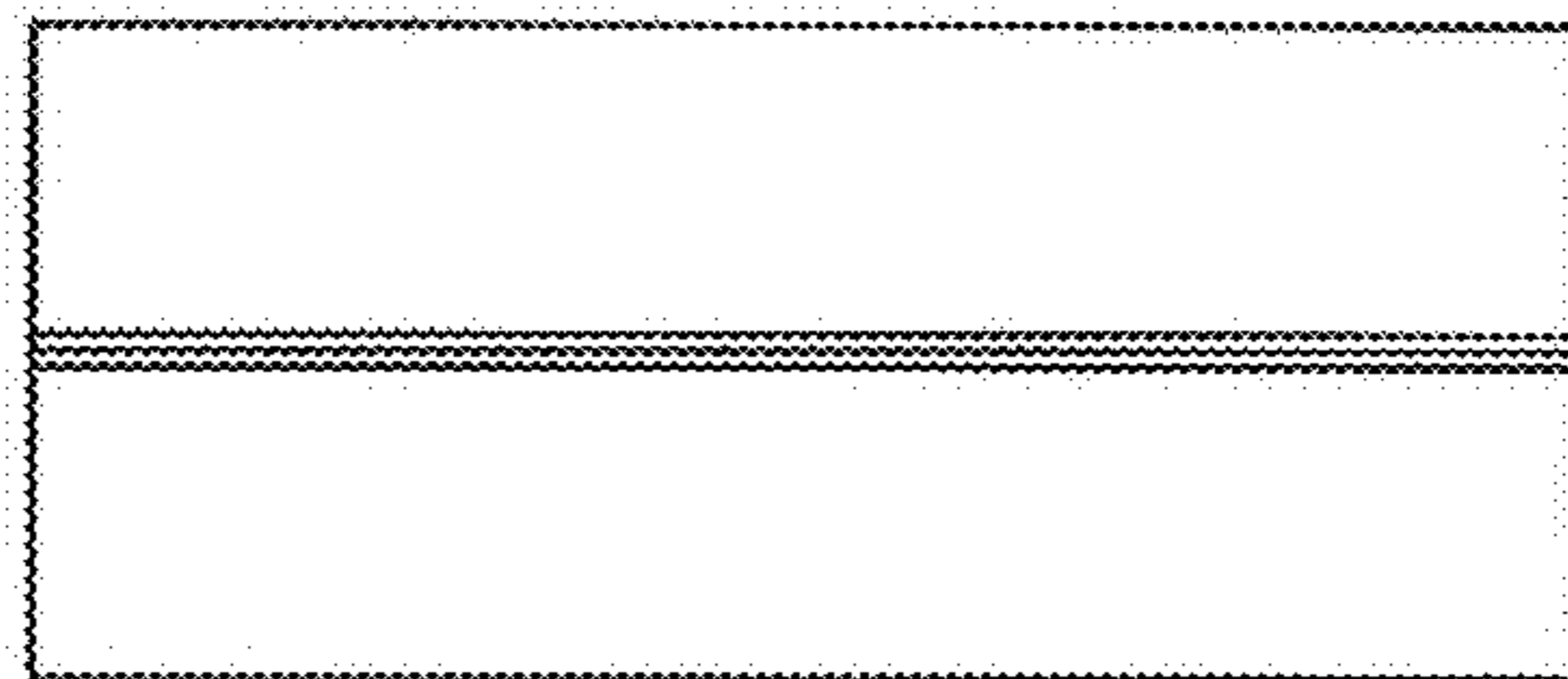


FIG. 5

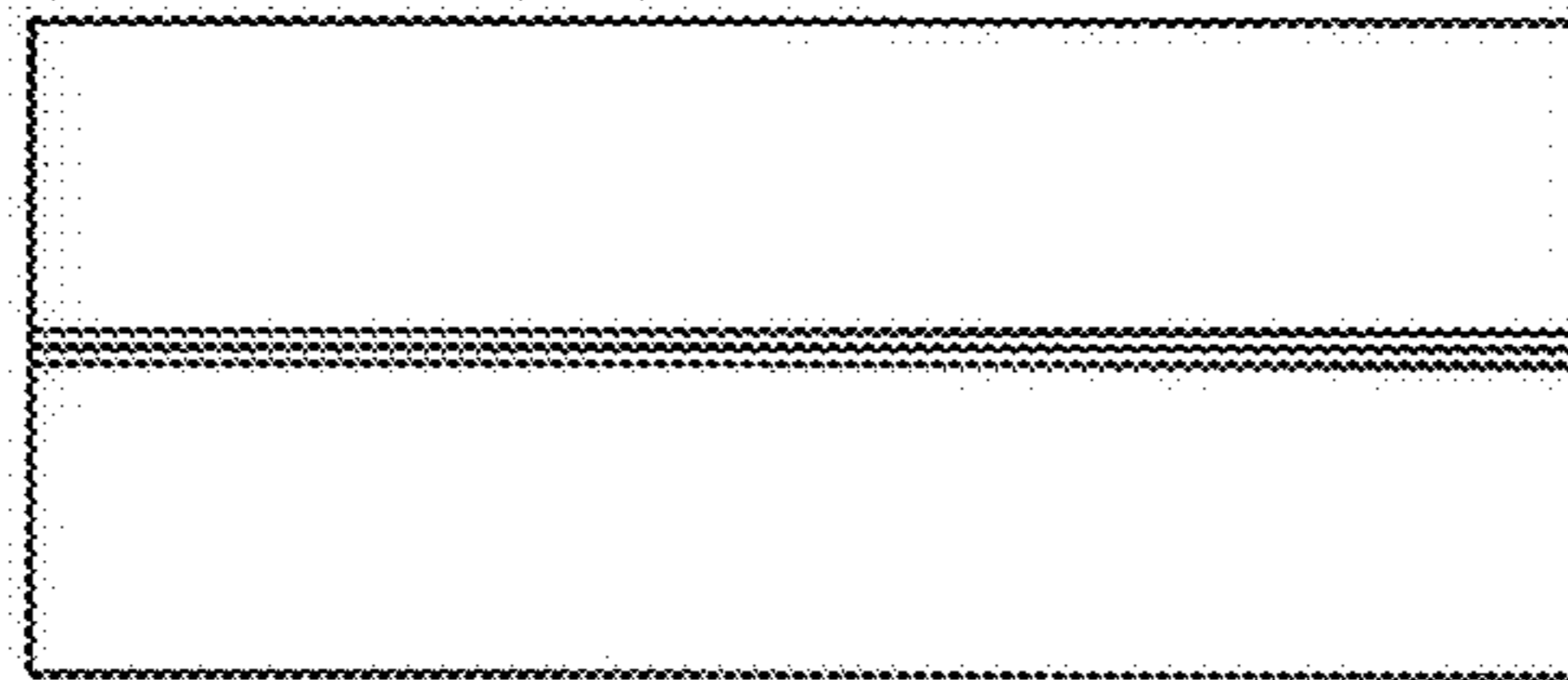


FIG. 6

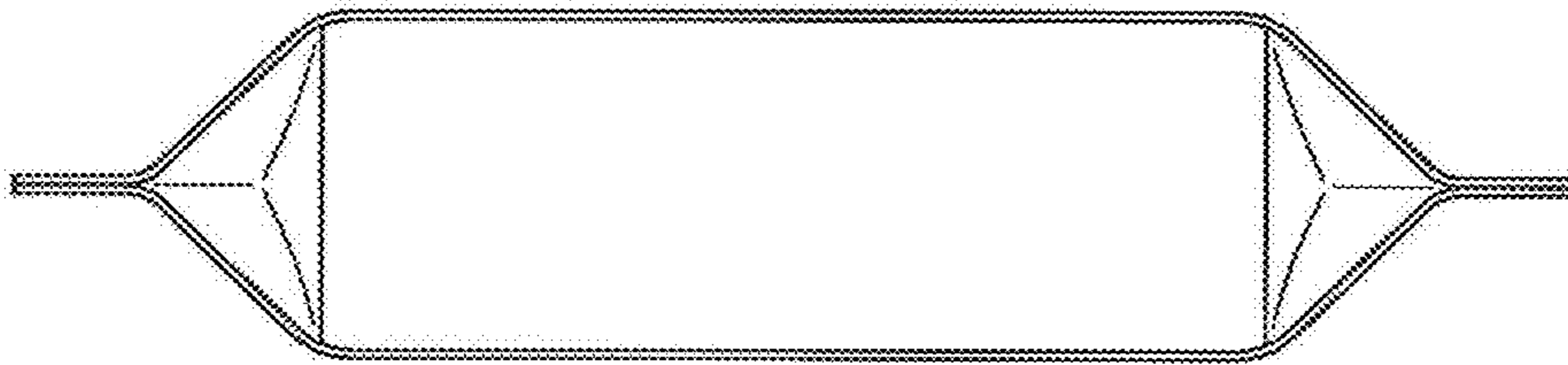


FIG. 7

