



US00D739190S

(12) **United States Design Patent**
Kasza et al.

(10) **Patent No.:** **US D739,190 S**
(45) **Date of Patent:** **** *Sep. 22, 2015**

(54) **BOTTLE RACK**

- (71) Applicant: **Stact Wine Displays Inc.**, Vancouver (CA)
- (72) Inventors: **Jamie Dennis Kasza**, Vancouver (CA);
Eric John Pfeiffer, Oakland, CA (US)
- (73) Assignee: **STACT Wine Displays Inc.**, Vancouver, British Columbia (CA)
- (*) Notice: This patent is subject to a terminal disclaimer.
- (**) Term: **14 Years**
- (21) Appl. No.: **29/456,590**
- (22) Filed: **May 31, 2013**

Related U.S. Application Data

- (63) Continuation-in-part of application No. 13/658,568, filed on Oct. 23, 2012.
 - (51) **LOC (10) Cl.** **07-06**
 - (52) **U.S. Cl.**
USPC **D7/701**
 - (58) **Field of Classification Search**
USPC D7/701-708, 619.1-625, 600.1-600.4;
248/213.2, 220.41, 311.2, 312.1;
211/189, 193, 168, 171, 170, 94.01,
211/85.31, 74-75, 85.5, 71.01, 125;
D6/682.6, 676.5, 677.5, 678.4, 680.3,
D6/682.2, 682.5
- See application file for complete search history.

(56) **References Cited**

U.S. PATENT DOCUMENTS

583,727 A	6/1897	Braun
698,272 A	4/1902	Glover

(Continued)

FOREIGN PATENT DOCUMENTS

CA	1 012 095	6/1977
CA	2 456 638	2/2004

(Continued)

OTHER PUBLICATIONS

Extended European Search Report for European Patent Application No. 13172148.2 (Aug. 19, 2013).
(Continued)

Primary Examiner — Wan Laymon
Assistant Examiner — Mark Booker
(74) *Attorney, Agent, or Firm* — LeClairRyan, A Professional Corporation

(57) **CLAIM**
The ornamental design for a bottle rack, as shown and described.

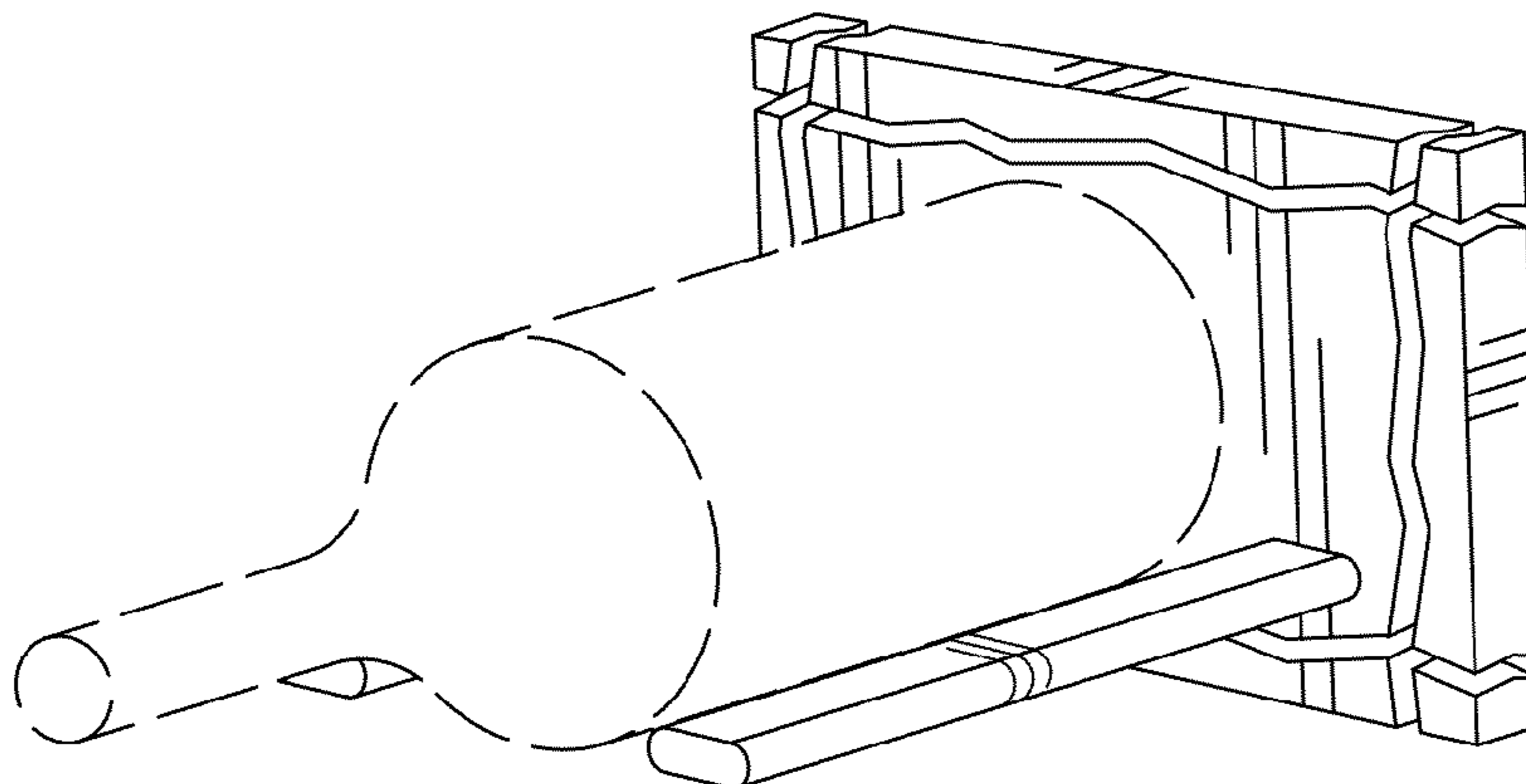
DESCRIPTION

FIG. 1 is a perspective view from the front and right side of the bottle rack, having indefinite length and width, according to a first embodiment;
 FIG. 2 is a front elevation view of the bottle rack of FIG. 1;
 FIG. 3 is a top plan view of the bottle rack of FIG. 1;
 FIG. 4 is a bottom plan view of the bottle rack of FIG. 1;
 FIG. 5 is a left side elevation view of the bottle rack of FIG. 1;
 FIG. 6 is a right side elevation view of the bottle rack of FIG. 1;
 FIG. 7 is a perspective view from the front and right side of the bottle rack, having indefinite length and width, according to a second embodiment;
 FIG. 8 is a front elevation view of the bottle rack of FIG. 7;
 FIG. 9 is a top plan view of the bottle rack of FIG. 7;
 FIG. 10 is a bottom plan view of the bottle rack of FIG. 7;
 FIG. 11 is a left side elevation view of the bottle rack of FIGS. 7; and,
 FIG. 12 is a right side elevation view of the bottle rack of FIG. 7.

The dashed lines in FIGS. 3 to 6 and 9 to 12 represent portions of the bottle rack that do not form part of the claimed design. The dashed lines in FIGS. 1 and 7 represent a bottle, which forms part of the environment. The patterns of rods shown extending from the surface repeat throughout the length and width of the article.

The broken away symbols in the drawings indicate that any portion of the article beyond what is shown forms no part of the claimed design.

1 Claim, 7 Drawing Sheets



(56)

References Cited

U.S. PATENT DOCUMENTS

1,835,726 A * 12/1931 Thompson 211/75
 2,026,746 A 1/1936 Moore
 2,051,408 A 8/1936 Karst
 2,070,507 A 2/1937 Bishop
 2,100,421 A 11/1937 Wupper
 2,527,796 A 10/1950 Clute
 2,879,900 A 3/1959 Fox
 2,889,050 A 6/1959 Modrey
 3,200,960 A 8/1965 Banse
 3,204,867 A 9/1965 Wahlbom
 3,799,357 A 3/1974 Govang
 D232,284 S 8/1974 Shuck
 3,836,007 A 9/1974 Rosenwein
 D236,565 S 9/1975 Fuller
 3,924,750 A 12/1975 Dunchock
 3,938,667 A 2/1976 Buckland
 4,022,327 A 5/1977 Anderson
 D260,463 S 9/1981 Imus
 D262,334 S 12/1981 Clark, Jr. et al.
 4,319,730 A * 3/1982 Thalenfeld 248/220.41
 4,482,065 A 11/1984 Altemose
 4,485,929 A 12/1984 Betts, Sr.
 D284,720 S 7/1986 Watson
 D295,128 S 4/1988 Gentile
 4,805,783 A 2/1989 Mayer
 4,944,415 A 7/1990 Orbach
 5,025,936 A 6/1991 Lamoureux
 5,116,007 A * 5/1992 Von Gunton et al. 248/243
 5,163,567 A 11/1992 Betts, Sr.
 5,169,009 A 12/1992 Bomze
 5,499,724 A 3/1996 Hickman
 5,503,276 A 4/1996 Pierce
 5,678,794 A 10/1997 Kump
 5,711,436 A 1/1998 Moeller et al.
 5,727,698 A 3/1998 Lai
 5,785,187 A 7/1998 Lipman et al.
 5,813,550 A 9/1998 Sheehan et al.
 5,855,347 A * 1/1999 Hollingsworth et al. 248/220.41
 6,119,875 A 9/2000 Smith
 6,161,707 A 12/2000 Lin
 6,173,845 B1 1/2001 Higgins et al.
 6,361,129 B1 3/2002 Borgen
 D460,902 S 7/2002 Battle
 6,443,316 B1 9/2002 Mao
 6,561,474 B1 5/2003 Walter et al.
 6,644,483 B1 11/2003 Lai
 6,675,978 B2 1/2004 Shea
 6,695,154 B2 2/2004 Jacobs
 6,729,481 B1 5/2004 O'Brien
 6,763,956 B2 7/2004 Woods
 D497,526 S 10/2004 Sanders et al.
 6,808,147 B2 * 10/2004 Brannen et al. 248/213.2
 D509,108 S * 9/2005 Rosenberg et al. D7/601
 6,991,117 B2 1/2006 McCain
 7,284,671 B1 10/2007 Doscher
 7,284,734 B2 10/2007 Hamerski
 7,377,397 B2 5/2008 Lee et al.
 7,392,912 B2 7/2008 Zandt
 7,673,761 B2 3/2010 Lee et al.
 7,806,268 B2 10/2010 Angelocci
 7,850,017 B2 12/2010 McCain
 7,861,986 B2 1/2011 Cline
 7,882,967 B2 2/2011 Hynes
 D634,992 S 3/2011 McNamee
 D655,986 S 3/2012 Schneider
 8,231,015 B2 7/2012 McCain
 D678,011 S * 3/2013 Wylie et al. D7/704
 8,573,548 B2 11/2013 Kuhn et al.
 8,607,994 B1 * 12/2013 Schneider 211/75
 D708,494 S 7/2014 Carpenter
 2001/0013567 A1 8/2001 Valiulis
 2003/0057336 A1 * 3/2003 Hochman 248/220.21
 2004/0069730 A1 4/2004 Woods
 2004/0144740 A1 7/2004 Przygoda
 2005/0072746 A1 4/2005 O'Brien

2007/0039907 A1 2/2007 Zandt
 2007/0068887 A1 3/2007 Nawrocki
 2008/0000861 A1 1/2008 Muellerleile
 2009/0071920 A1 3/2009 Bassetti
 2010/0006523 A1 1/2010 Hogeback
 2010/0051769 A1 3/2010 Tyson
 2011/0132853 A1 6/2011 Drobot et al.
 2011/0309220 A1 12/2011 Collini
 2012/0085721 A1 4/2012 Michael J. et al.
 2013/0334155 A1 12/2013 Kasza et al.

FOREIGN PATENT DOCUMENTS

CA 2 677 021 2/2010
 CA 2 743 948 5/2010
 DE 3015594 A1 12/1981
 DE 20309209 U1 8/2003
 EP 1 389 437 2/2004
 FR 065229-0001 1/2007
 GB 1 202 519 8/1970
 GB 2 189 387 A 10/1987
 GB 2 242 352 A 10/1991
 NL 1021103 C1 1/2004
 WO 2014/032158 A1 3/2014

OTHER PUBLICATIONS

Amazon.fr, Product Description, Blomus Pilare /68486 Casier a vin Pour 12 Bouteilles [Blomus Pilare /68486 Wine Rack for 12 Bottles], http://www.amazon.fr/blomus-pilare-68486-Casier-bouteilles/dp/B000BKBJWC/ref=sr_1_1?ie=UTF8&qid=1421968472&sr=8-1&keywords=Blomus+Pilare, date first available at Amazon.fr Aug. 8, 2007 (accessed Jan. 22, 2015).
 Hayneedle.com, Product Description, Blomus Pilare Wine Rack—Choose 9 or 12 Bottle Rack, review 1 dated Nov. 9, 2006, <http://www.hayneedle.com/product/pilarewinerack.cfm> (accessed Jan. 10, 2015).
 Amazon.com, Product Description, Blomus Wine Bottle Storage, Holds 12 Bottles, review by Brian Go dated Aug. 2, 2011, <http://www.amazon.com/Blomus-Bottle-Storage-Holds-Bottles/dp/B000BKBJWC> (accessed Jan. 10, 2015).
 Walmart.com, Product Description, Blomus Pilare Wine Rack—Choose 9 or 12 Bottle Rack, review by Carol-Simplify dated Mar. 26, 2008, <http://www.walmart.com/ip/blomus-Pilare-Wine-Rack-Choose-9-or-12-Bottle-Rack/17361365>, (accessed Jan. 10, 2015).
 Amazon.de, Product Description, Blomus 68486 Pilare Weinregal, für 12 Flaschen [Blomus 68486 Pilare Wine Rack for 12 Bottles], <http://www.amazon.de/Blomus-68486-PILARE-Weinregal-Flaschen/dp/B000BKBJWC>, date first available at Amazon.de Sep. 22, 2005 (accessed Jan. 22, 2015).
 Stact.com, “Turn Your Wine Into Art,” <http://www.getstact.com/> (archived Jul. 29, 2012).
 Rosendahl, Spec Sheet, Wine Rack, https://web.archive.org/web/20050304022515/http://www.unicahome.com/products/pdf/9223/rosendahl_wine_rack.pdf (Feb. 8, 2005).
 International Search Report for PCT/CA2013/000259, published as WO 2014/032158 (Dec. 23, 2013).
 Vin de Garde Cellar Systems, Modern Wine Cellars Catalog 2011.
 Genuwine Cellars, Label Link (retrieved from <http://www.genuwinecellars.com/metal-series/label-link/> on Jan. 25, 2013).
 Genuwine Cellars, PEG System (retrieved from <http://www.genuwinecellars.com/metal-series/peg-system/> on Jan. 25, 2013).
 Genuwine Cellars, Metal Series (retrieved from <http://www.genuwinecellars.com/metal-series/> on Feb. 21, 2013).
 Houzz Inc., Bachus Bottle Rack—modern—wine racks—by Made in Design, 2013 (retrieved from <http://www.houzz.com/photos/151858/Bachus-Bottle-Rack-modern-wine-racks-> on Jul. 18, 2013).
 Houzz Inc., Live-Edge Solid Walnut 6-Bottle Wine Rack—eclectic—wine racks—by Etsy, 2013 (retrieved from <http://www.houzz.com/photos/2739502/Live-Edge-Solid-Walnut-6-Bottle-Wine-Rack-eclectic-wine-racks-> on Jul. 18, 2013).
 Houzz Inc., Wood & Metal Industrial Wine Rack—contemporary—wine racks—by World Market, 2013 (retrieved from <http://www.houzz.com/photos/2739502/Live-Edge-Solid-Walnut-6-Bottle-Wine-Rack-eclectic-wine-racks-> on Jul. 18, 2013).

(56)

References Cited

OTHER PUBLICATIONS

houzz. com/photos/1548374/Wood---Metal-Industrial-Wine-Rack-contemporary-wine-racks- on Jul. 18, 2013).

Stact Wine Displays Inc., Stact revolutionary wine rack, 2013 (retrieved from <http://www.getstact.com/collections/wine-rack-revolutionized> on Jul. 18, 2013).

Kickstarter.com, “Stact Modular Wine Wall: Wine Storage Beautified,” launched Jul. 26, 2012, <http://www.kickstarter.com/projects/stact/stact-modular-wine-wall-wine-storage-beautified> (archived Jul. 28, 2012).

Marketwired.com, “Wine Storage Beautified: Canada’s Stact Modular Wine Wall System Launches Globally through Kickstarter,” <http://www.marketwired.com/press-release/wine-storage-beautified-canadas-stact-modular-wine-wall-system-launches-globally-through-1684078.htm> (Jul. 26, 2012).

Gillian Shaw, “Vancouver Wine Connoisseur Launches Successful Kickstarter Project to Fund the Perfect Wine Rack,” Vancouver Sun, Digital Life, <http://blogs.vancouversun.com/2012/07/28/vancouver-wine-connoisseur-launches-successful-kickstarter-project-to-fund-the-perfect-wine-rack/> (Jul. 28, 2012).

Kim Hart Macneill, “A New Way to Kickstart a Business,” Profitguide.com, <http://www.profitguide.com/startup/best-practices/mass-appeals-40210> (Sep. 5, 2012).

Uncrate.com, “Stact Modular Wine Wall,” <http://uncrate.com/stuff/stact-modular-wine-wall/> (archived Jul. 30, 2012).

billwang.net, Design Online, [Billwang Industrial Design Forum > Industrial Design Zone > Design Resources > Design Resources Digest > Nordic windows, some household items map , p. 25 Update (Jul. 5)], Posted on Dec. 11, 2006 , 17:04, <http://bbs.billwang.net/post5298125-187/> (accessed Jan. 22, 2015).

Vin De Garde, “Beta Bloc—Single Bottle,” 3D Warehouse SketchUp, <http://sketchup.google.com/3dwarehouse/details?mid=950db41b6d3bd0edc72a6080af74e2bc>, 1 page (Nov. 30, 2012).

Billy Carpenter, Twitter Post, <https://twitter.com/moderncellars/status/252140684579061760>, 1 page (Sep. 29, 2012).

Billy Carpenter, Twitter Post, <https://twitter.com/moderncellars/status/254266152501526529>, 1 page (Oct. 5, 2012).

Vin De Garde, 2013 Catalog, “Vin De Garde 2013, Modern Wine Cellars,” pp. 1-29 (2013).

* cited by examiner

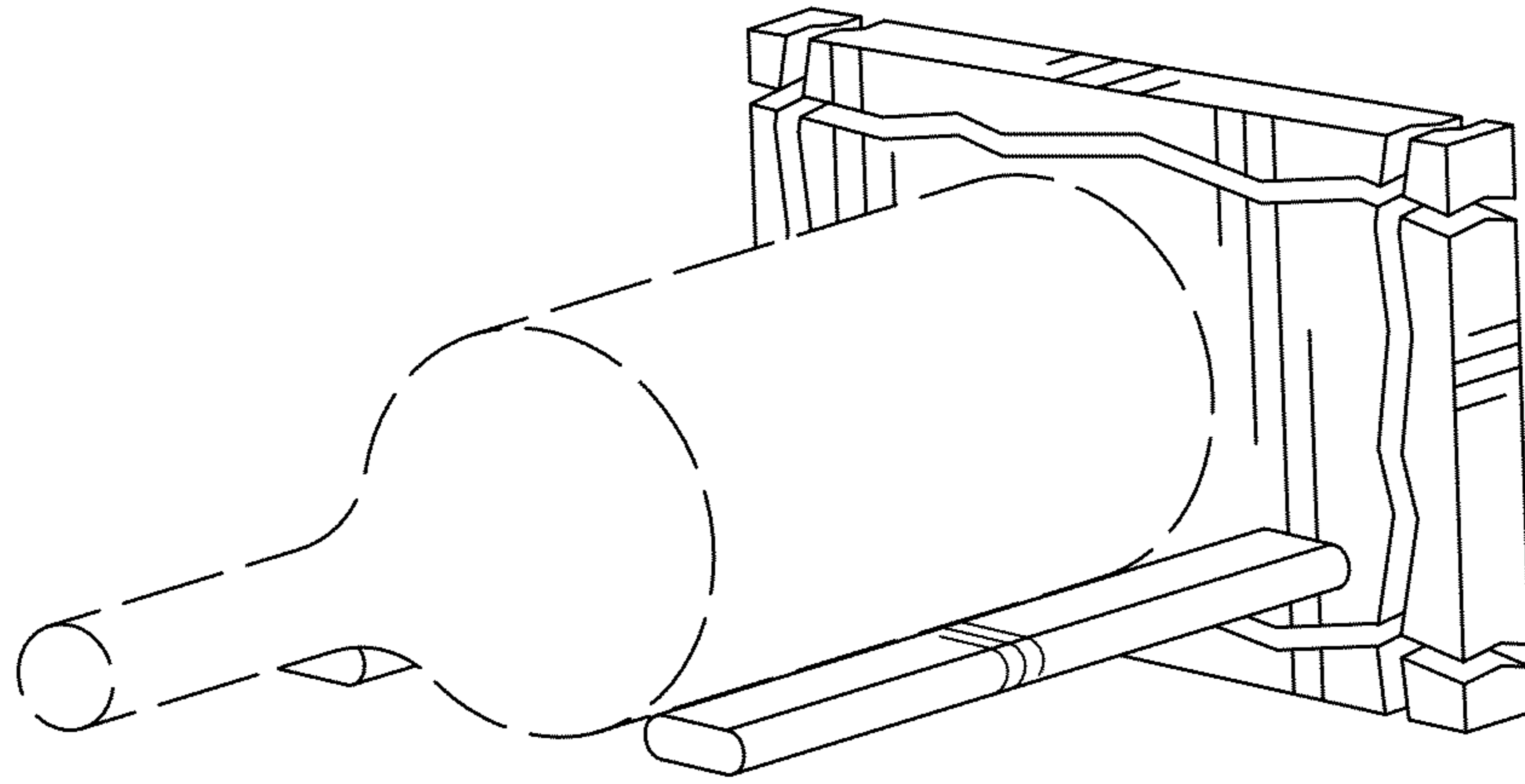


FIG. 1

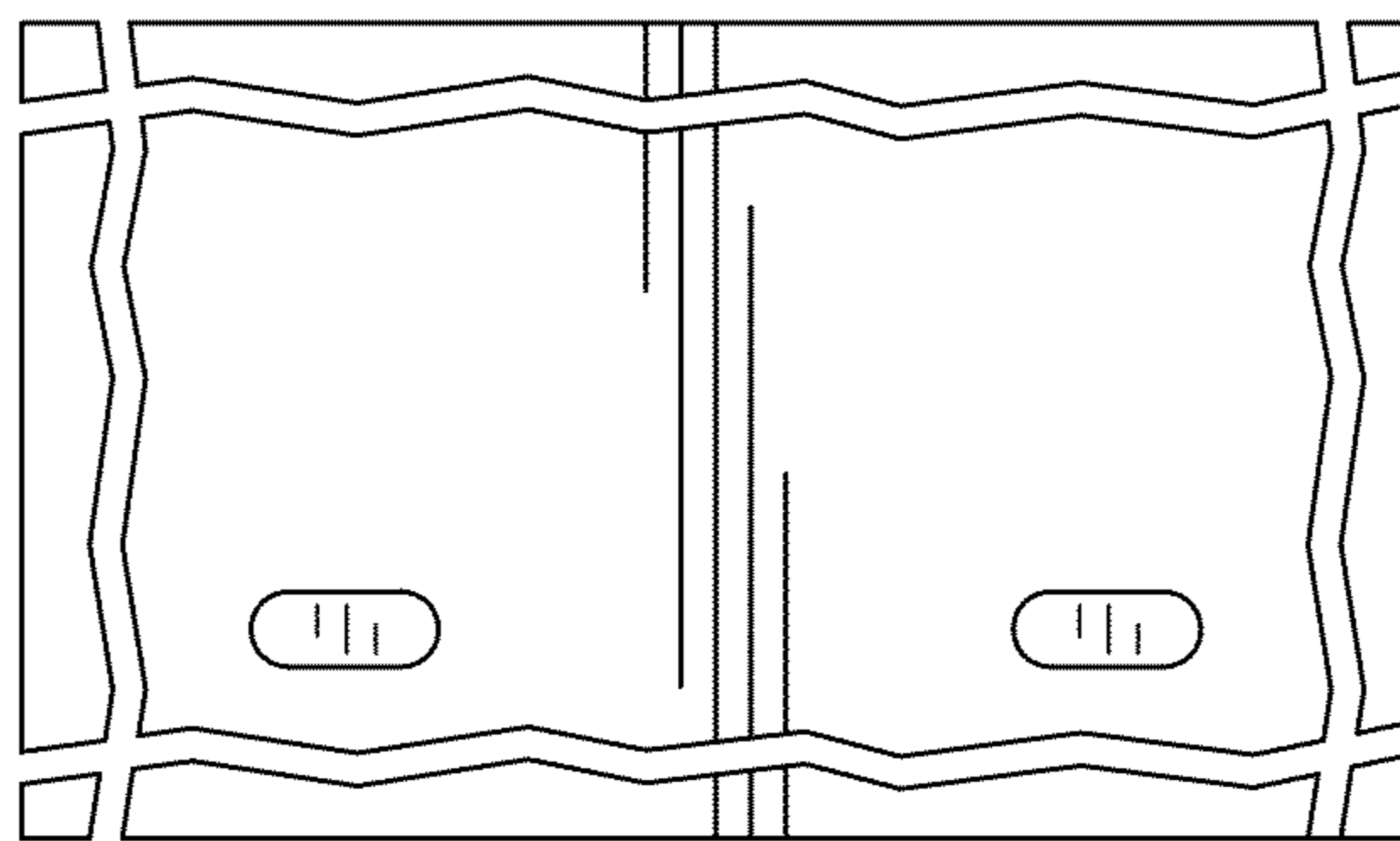


FIG. 2

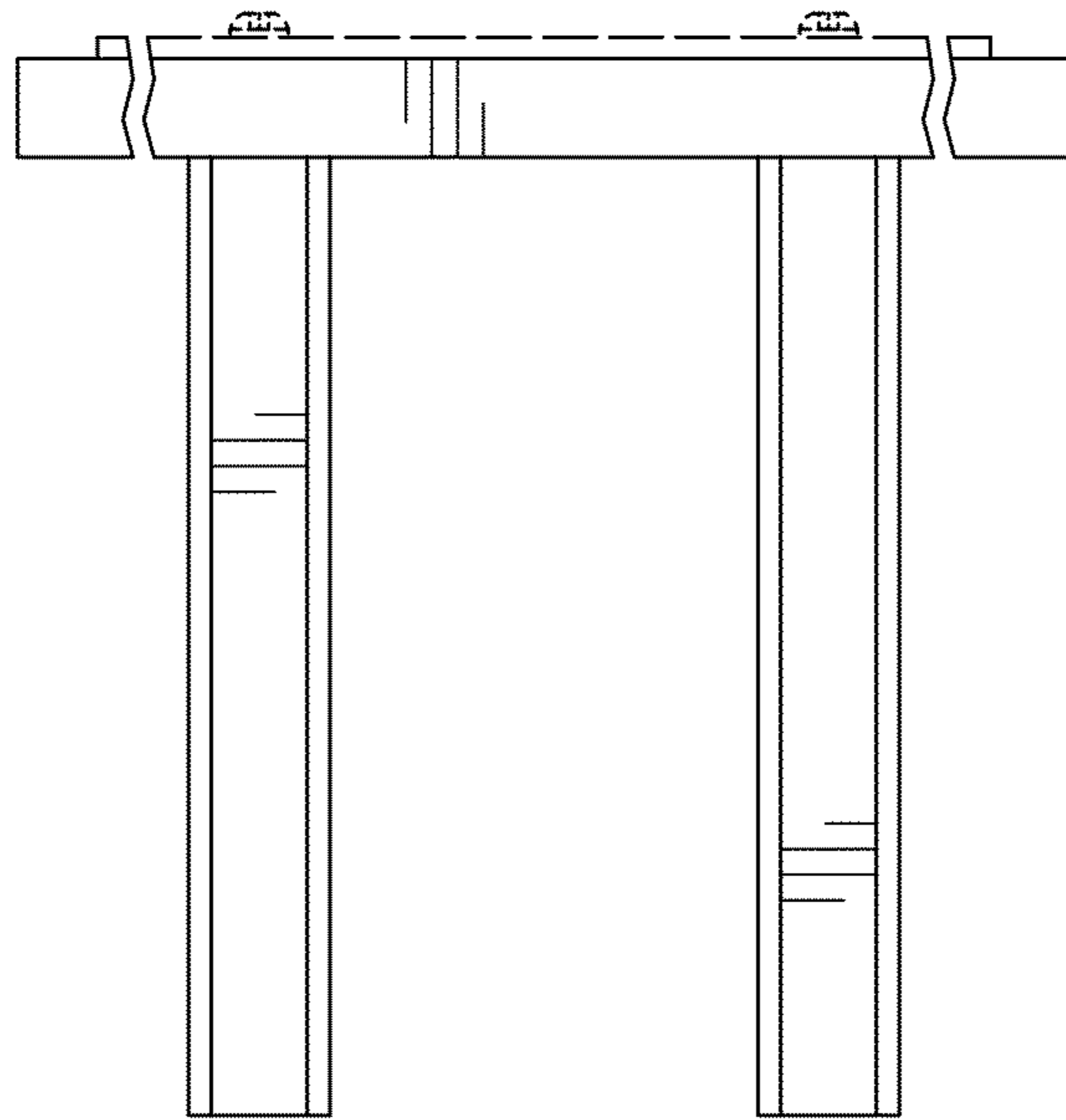


FIG. 3

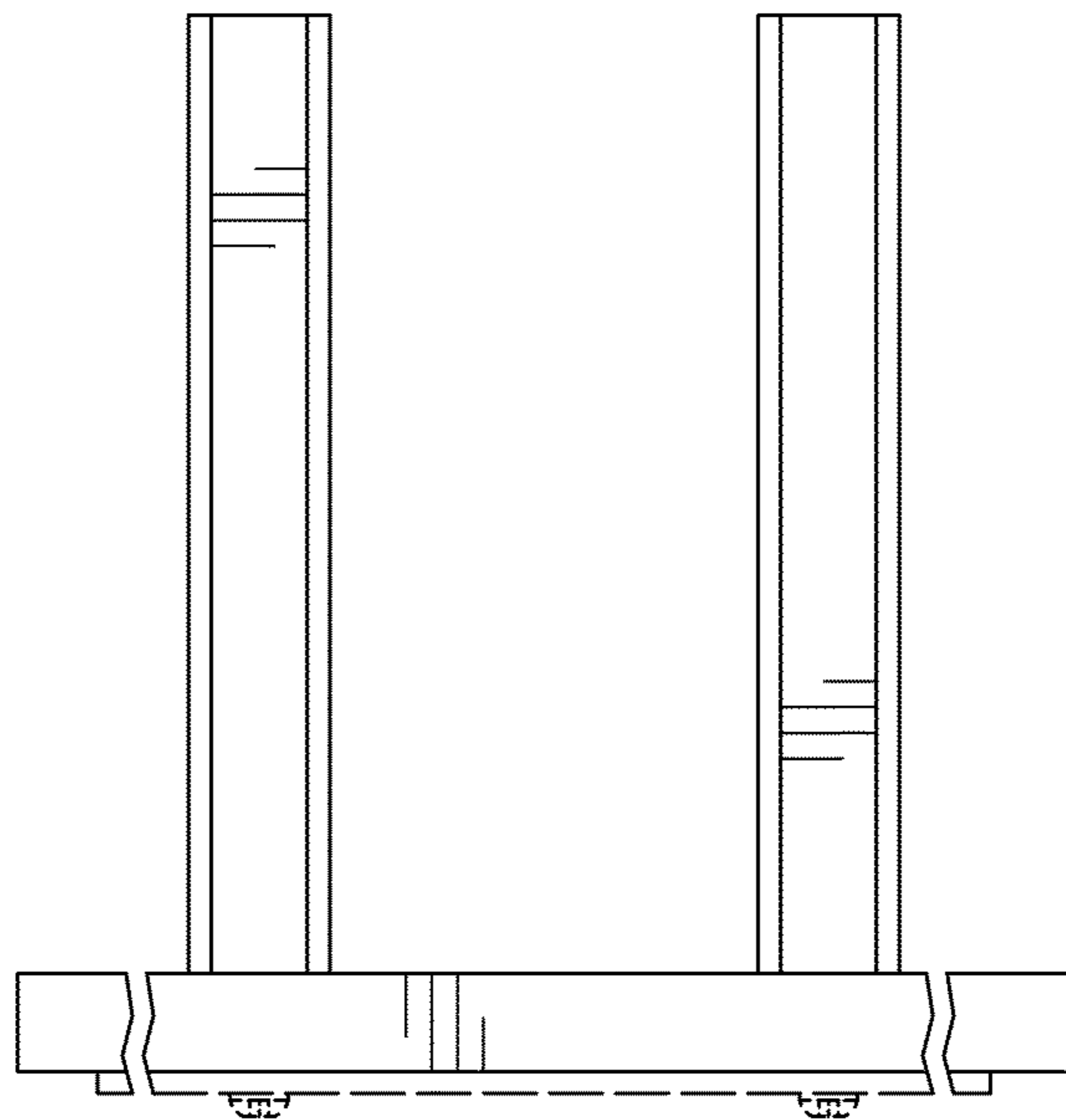


FIG. 4

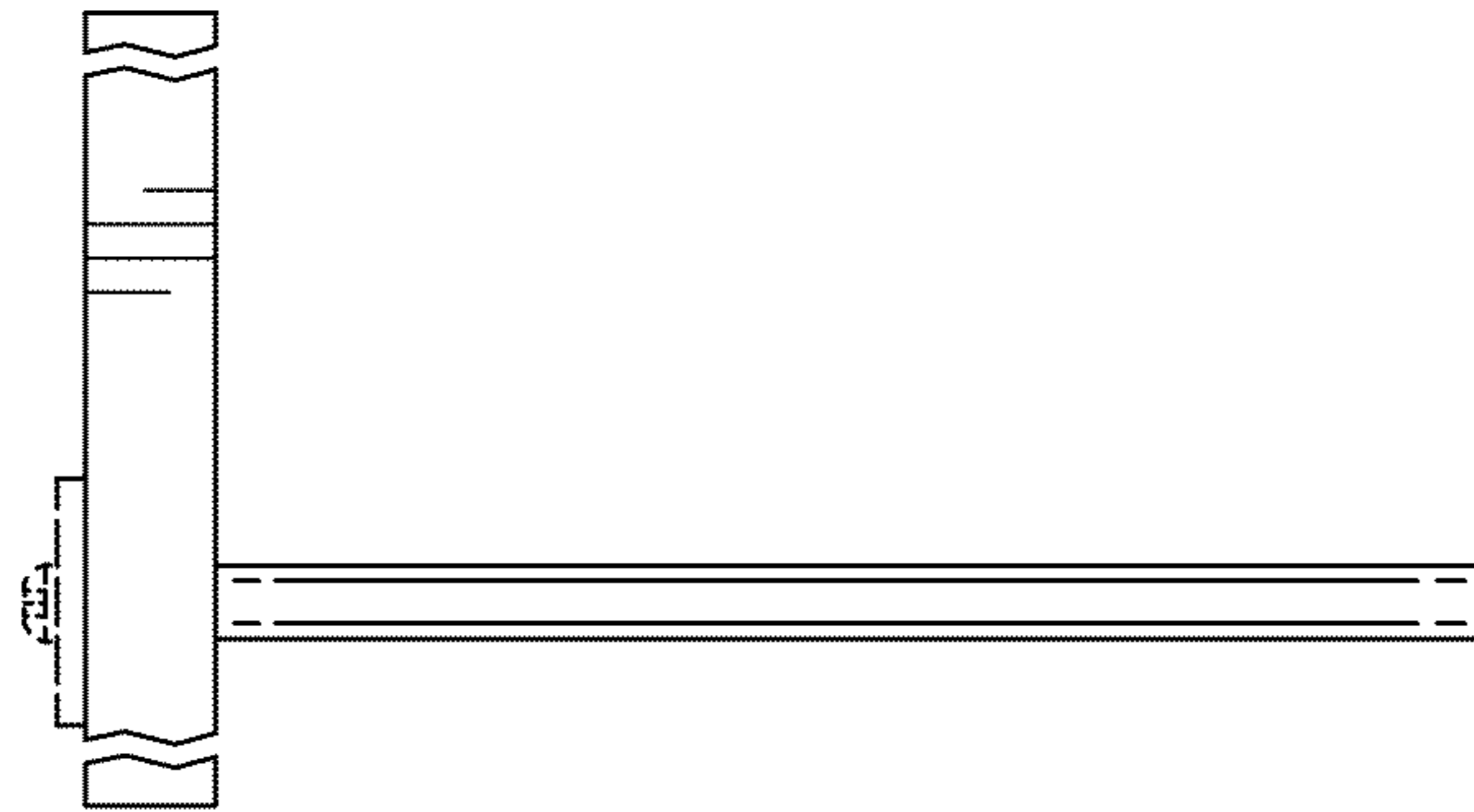


FIG. 5

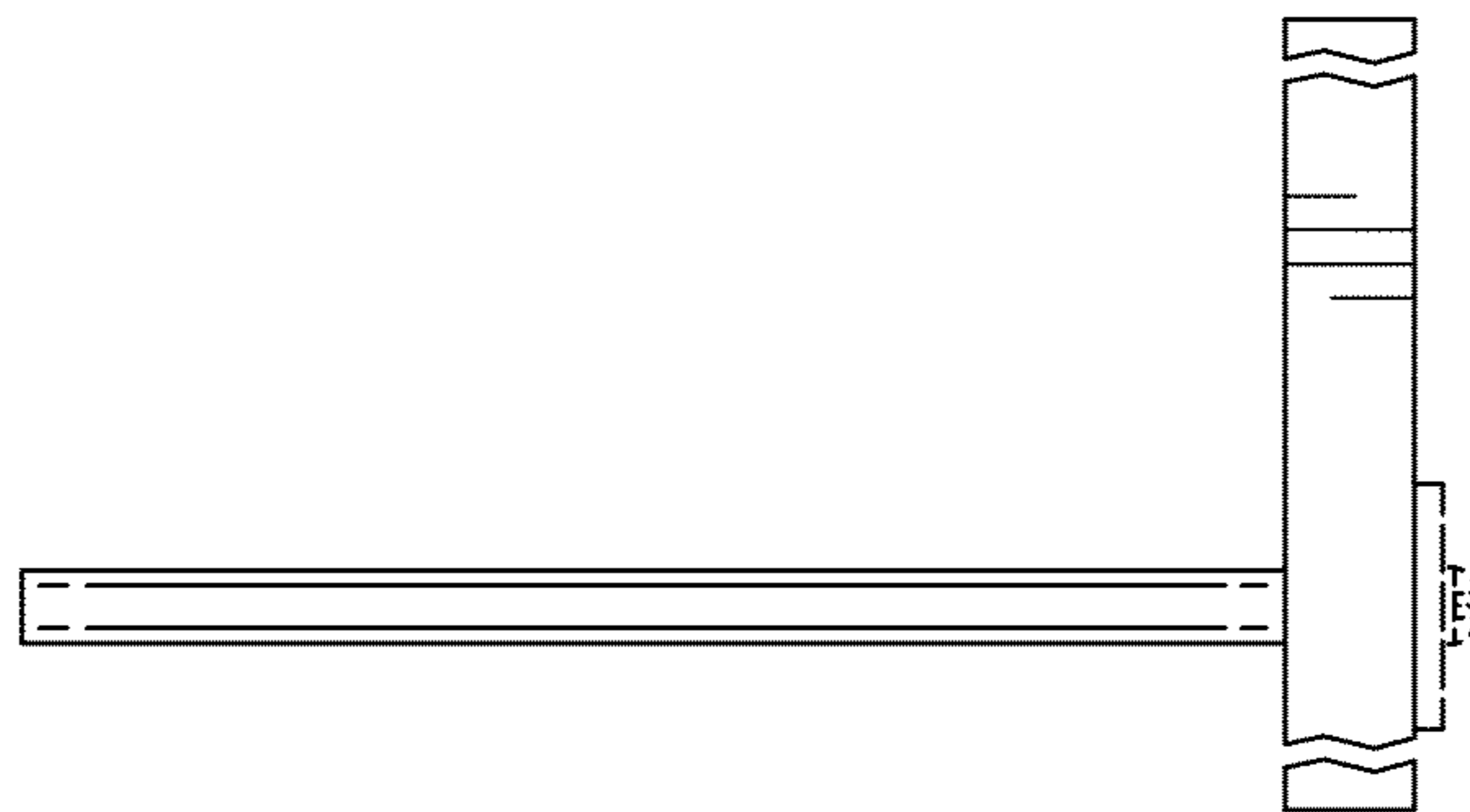


FIG. 6

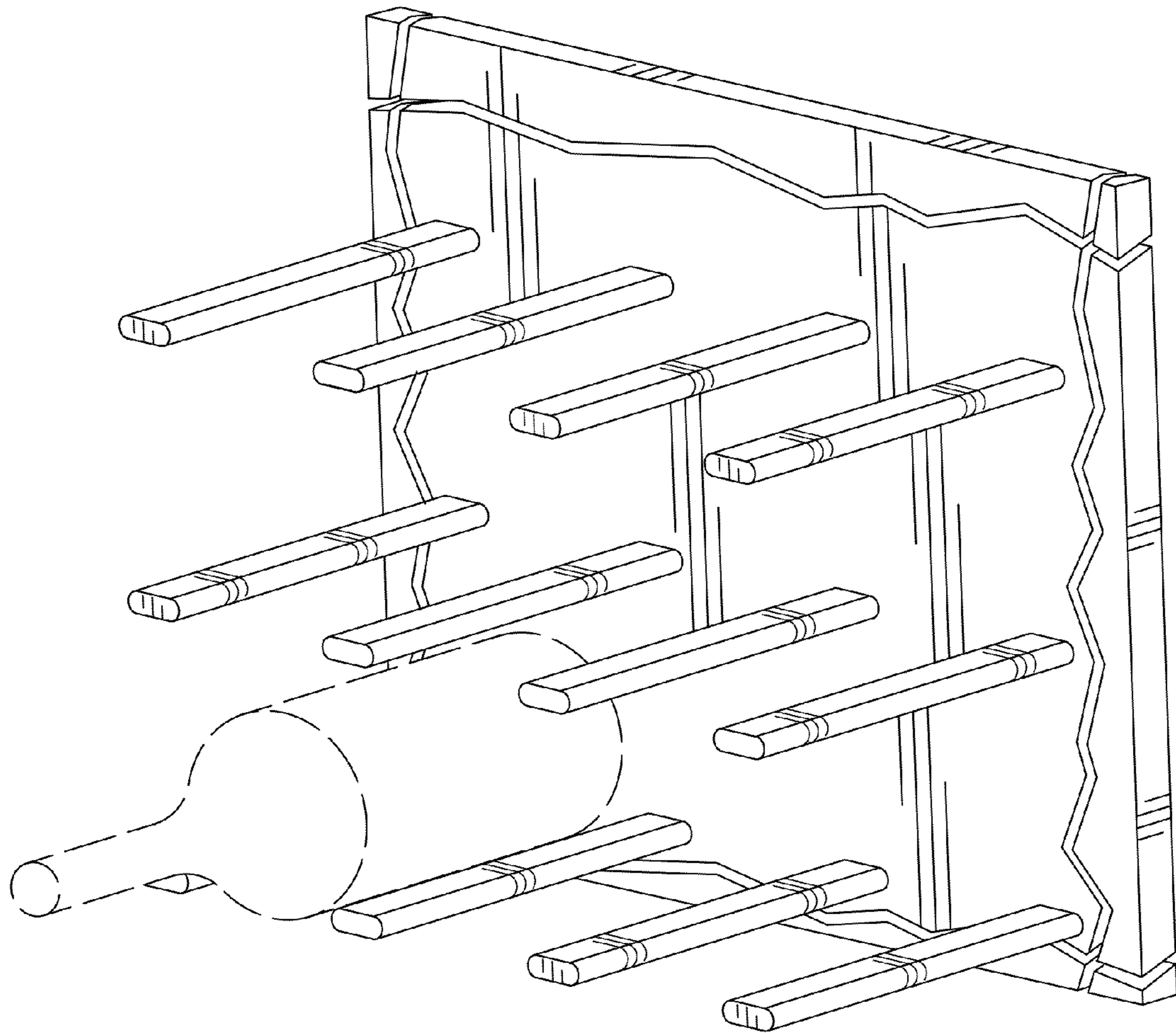


FIG. 7

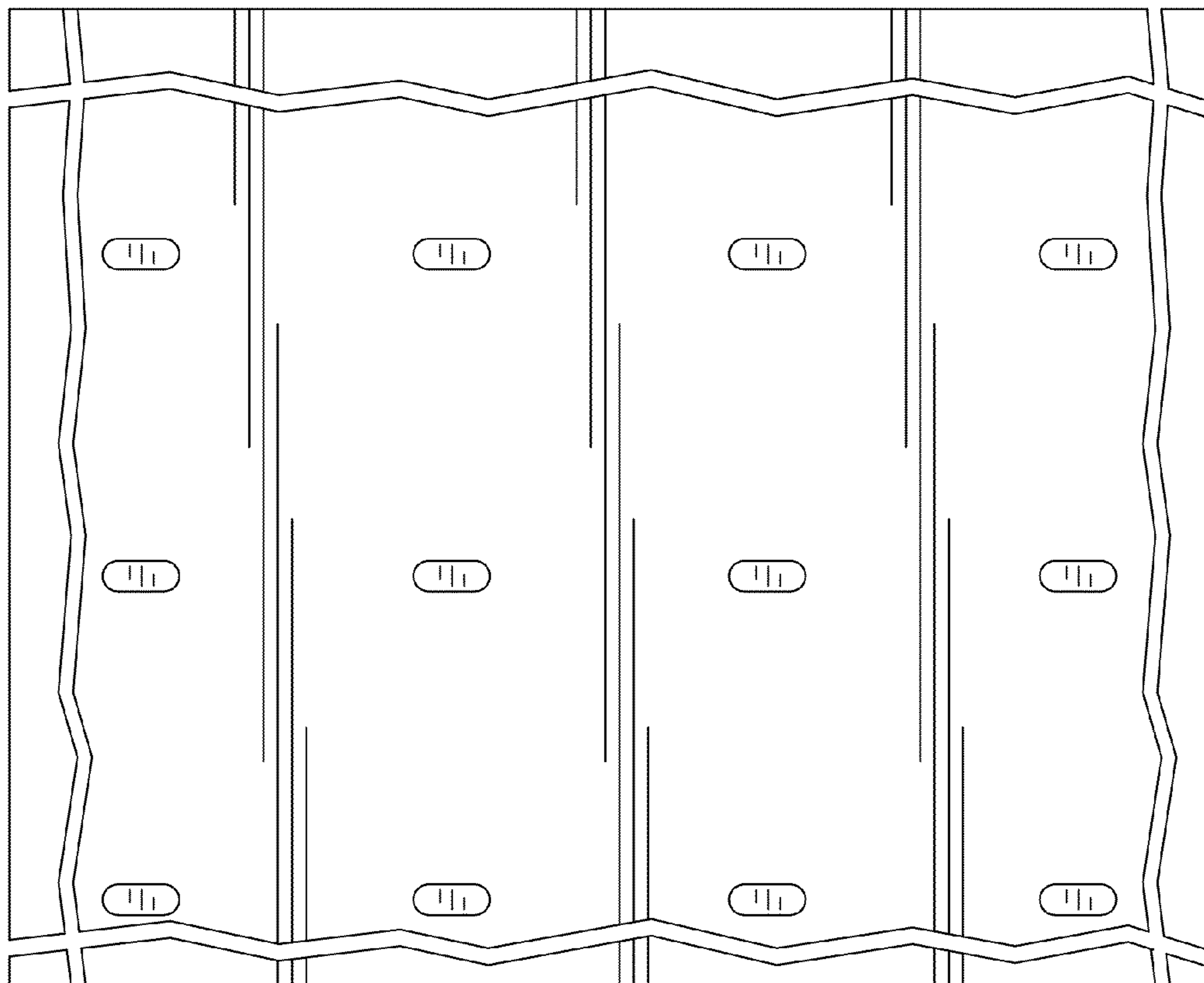


FIG. 8

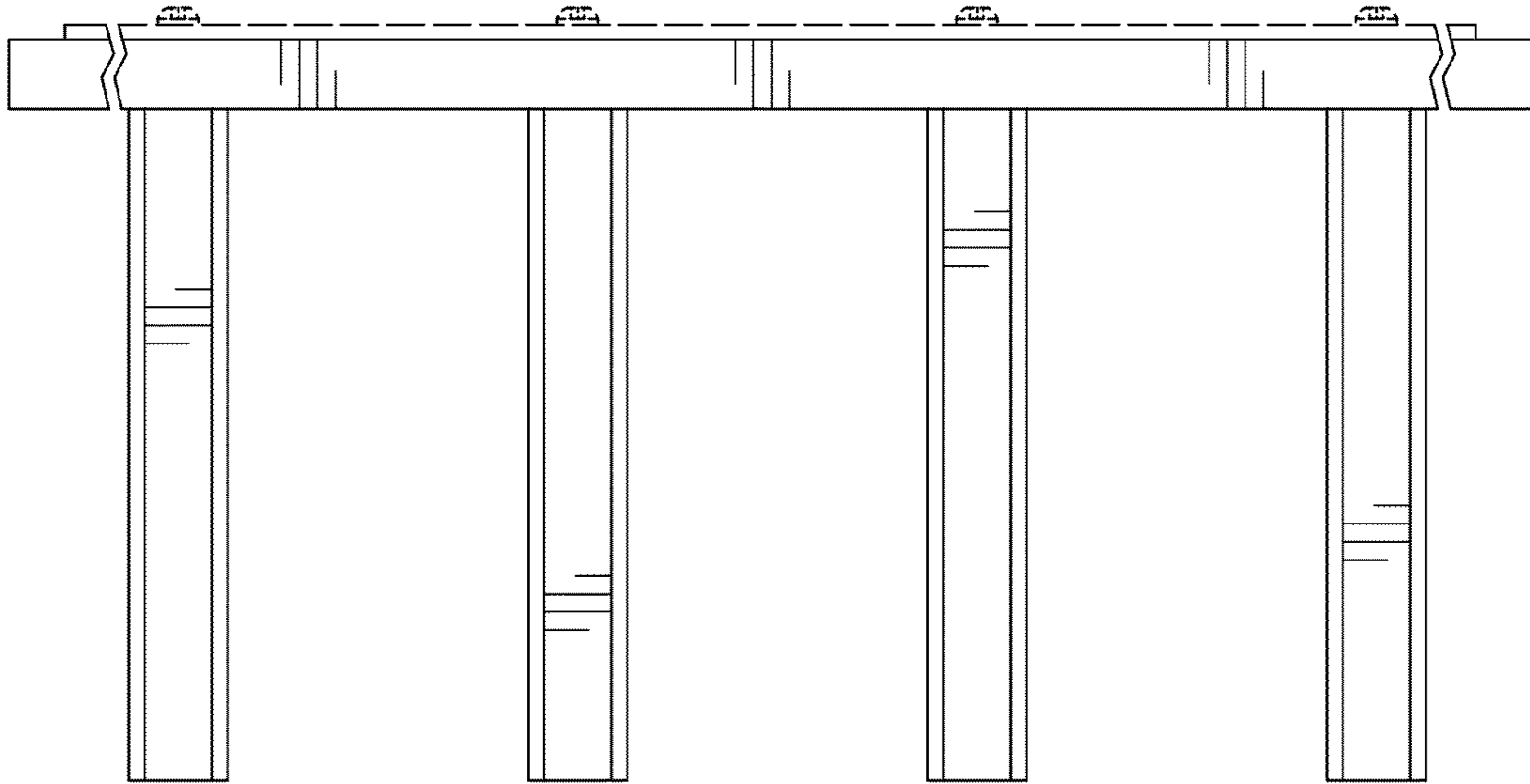


FIG. 9

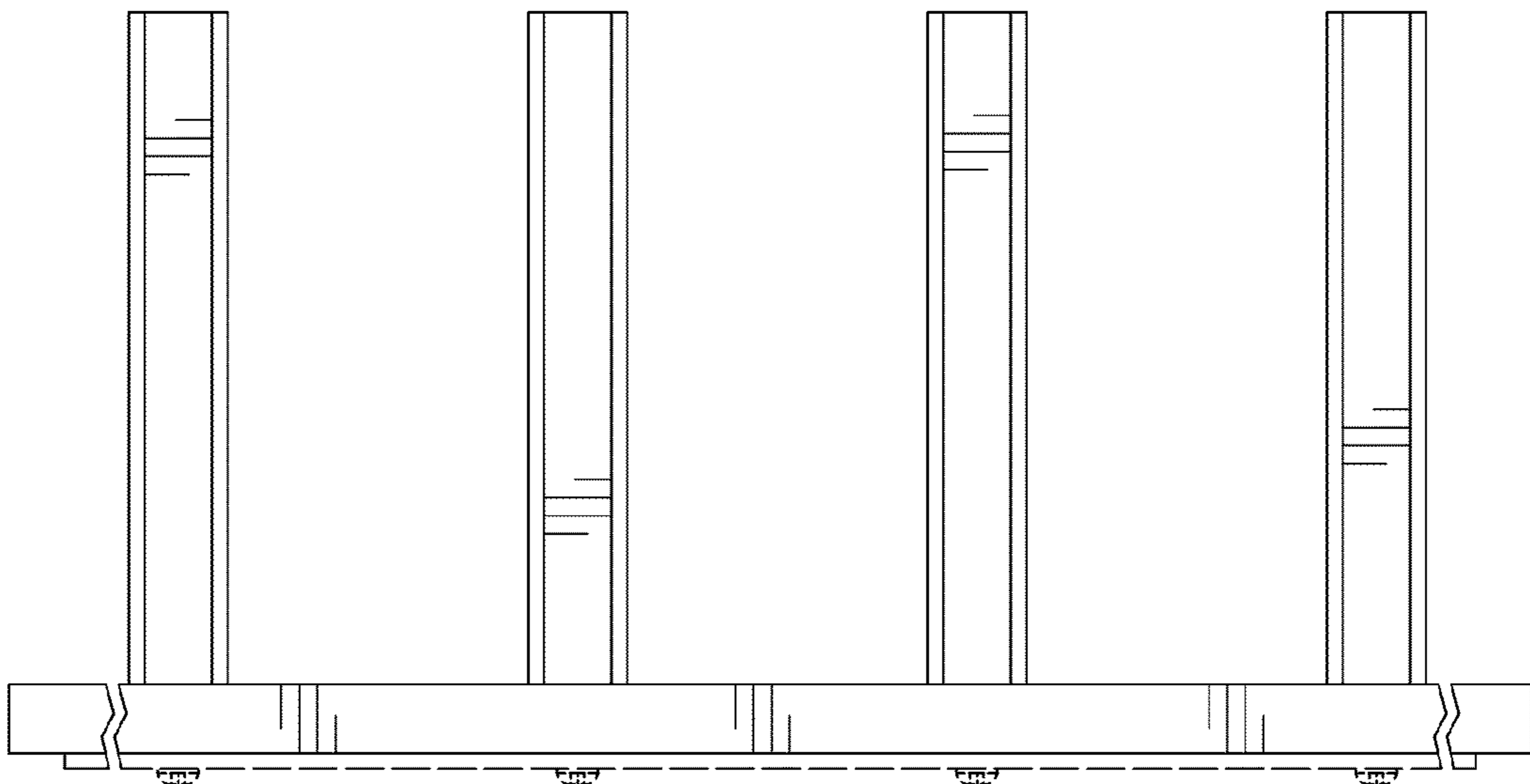


FIG. 10

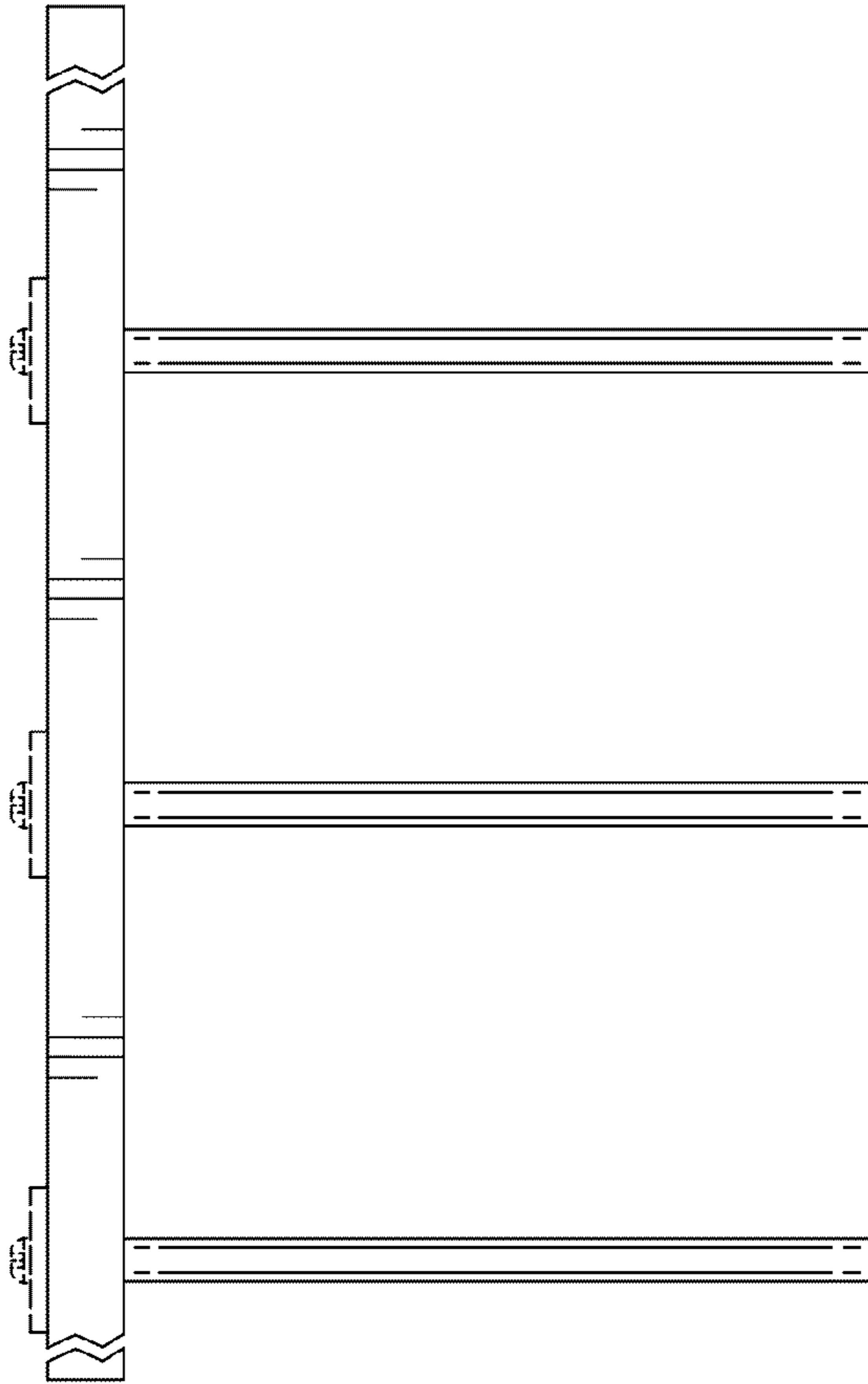


FIG. 11

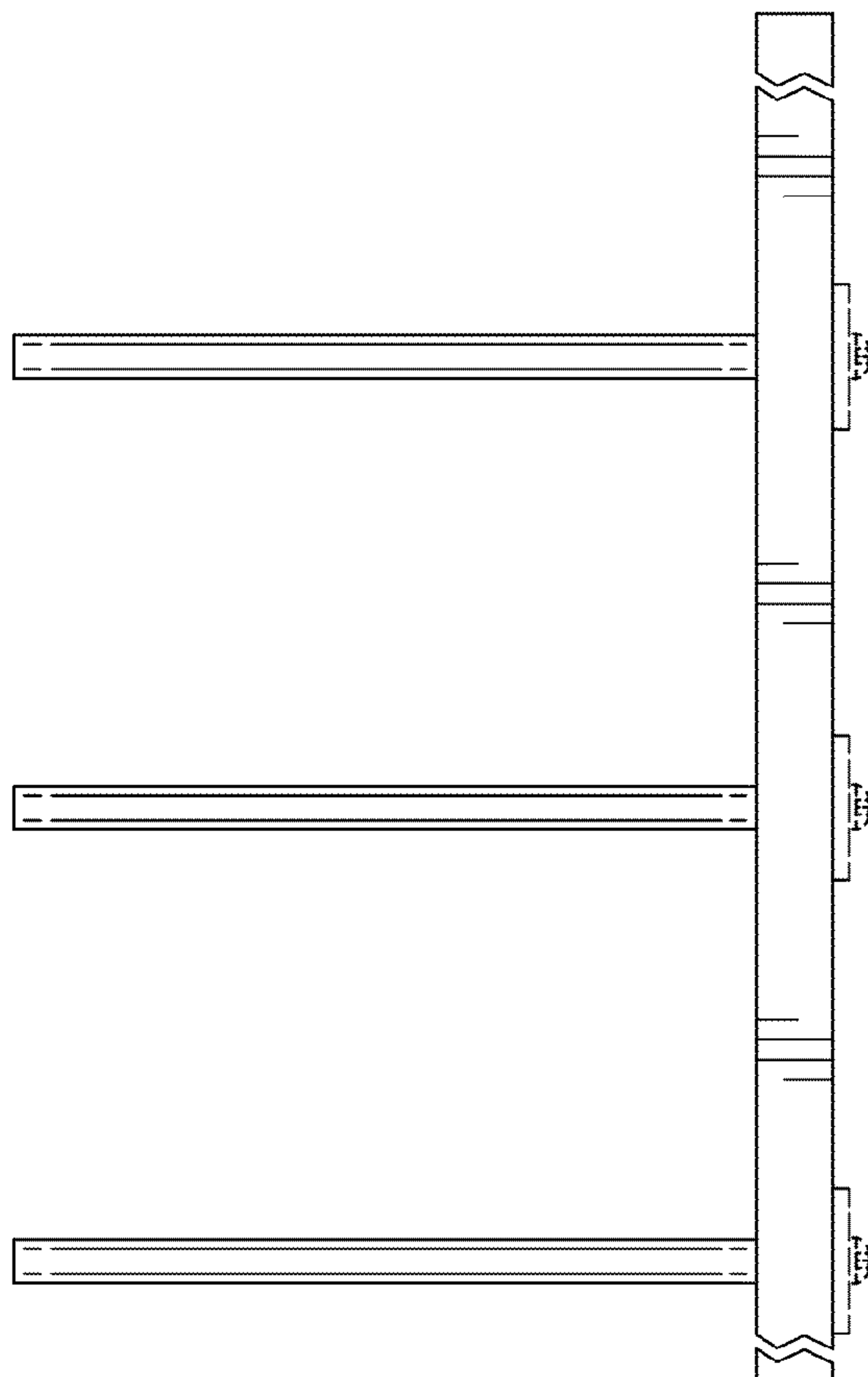


FIG. 12